

All rights strictly reserved. Reproduction or issue to third parties in any form whatsoever is not permitted without written authority from the proprietor. Property of FCI. Copyright FCI.

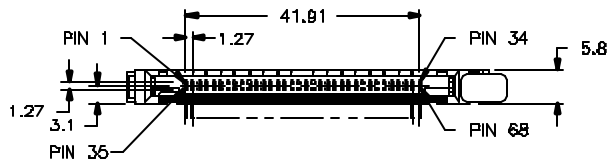
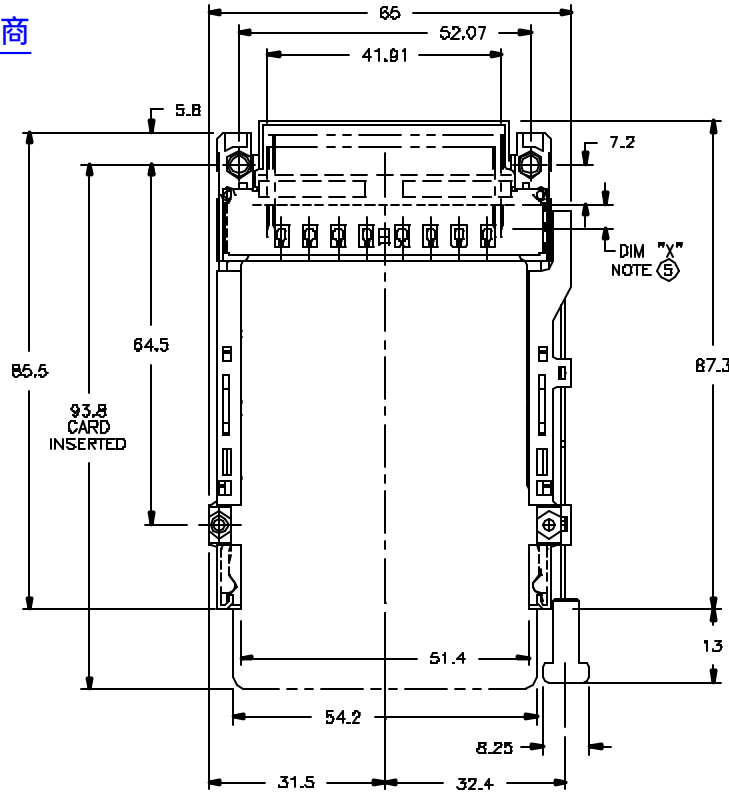
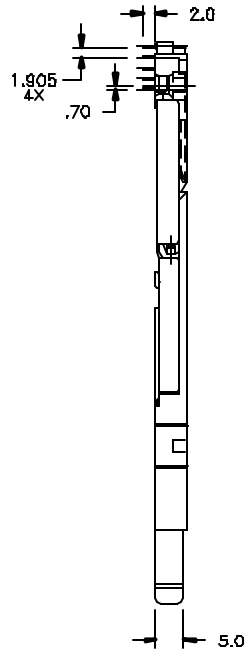
Tous droits strictement réservés. Reproduction ou communication à des tiers interdite sous quelque forme que ce soit sans autorisation écrite du propriétaire. Propriété de FCI. Droits de reproduction FCI.

FCI A

B

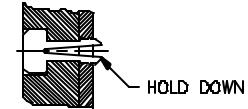
PRODUCT NO.  
72206-000CA  
NOTE ⑥

查询72206-100CA"供应商



NOTES:

- 1 8mm MIN CARD EJECT.
  - 2 PUSH-ROD TRAVEL: 9.5mm
  - 3 MATERIAL:
    - 3.1 HEADER ASSY:  
PLASTIC HOUSING: LCP UL94V-0 BLACK - ABOVE PCB  
PIN: PHOSPHOR BRONZE
    - 3.2 EJECT MECHANISM ASSY:  
PLASTIC GUIDE: POLYPHTHARAMID UL94V-0 BLACK  
PLASTIC PUSH-ROD BUTTON: POLYPHTHARAMID UL94V-0 BLACK  
COVER PLATE, EJECT PLATE, LINK ARM,  
PUSH ROD: STAINLESS STEEL  
EMI CONTACT: PHOSPHOR BRONZE
  - 4 FINISH (PIN)  
UNDER PLATING: 0.5um MIN NI  
CONTACT AREA: 0.1um MIN GOLD OVER  
0.5um MIN Pd-Ni  
SOLDER TAIL: 2.5umMIN Sn-Pb
- ⑤ DIM "X"
- |          |         |                  |
|----------|---------|------------------|
| 4.25±0.1 | 3.5±0.1 | 5.0±0.1          |
| OTHERS   | 36.67   | 1,17,34,35,51,68 |
- 6 RECOMMENDED HOLD DOWN - 2mm SCREWS (95121-001) AND NUTS (92889-001).  
RECOMMENDED SCREW TORQUE: 1.0 TO 1.5 MAX in-lbs. (1.2-1.7 cm-kgs).
  - 7 SEE SHEET 3 FOR PCB LAYOUT INFORMATION.
- ⑥ ADD "H" TO PART NUMBER FOR OPTIONAL HOLD DOWN (2 PER EJECT MECHANISM).



mat'l. code				tolerances unless otherwise specified				CUSTOMER COPY		FCI Electronics www.fciconnect.com	
ltr	ecn no	dr	date	linear	.X±.3	projection	title				
A	V80726	RHG	4/29/98		.XX±.13		R/A CARDBUS SINGLE DECK ASSEMBLY				
B	V80810	RHG	5/24/98		.XXX±.051		product family MCS code -				
C	V81089	RHG	7/2/98	angles	0° ±Z		size		sheet		
D	V70389	RHG	3/25/97	dr	R.GRAPE 4/29/98		A4		1 of 3		
E	V12164	TFG	8/18/01	enqr	D.BRANN 4/29/98	scale		sheet			
				chr	D.BRANN 4/29/98	1:1		1 of 3			
				appd	D.BRANN 4/29/98						
sheet index	revision sheet	E	E	E							
		1	2	3							

cage code 22526

ACAD

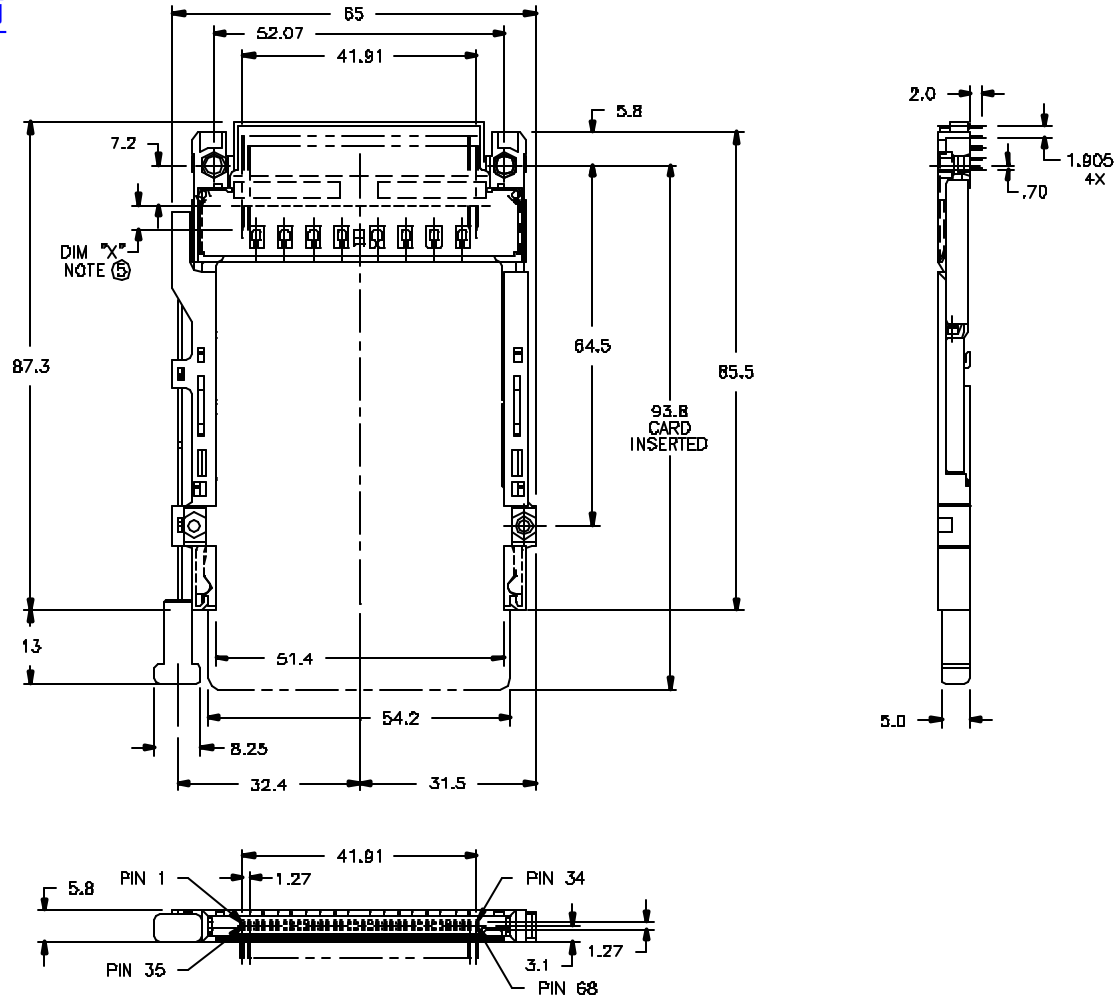
All rights strictly reserved. Reproduction or issue to third parties in any form whatsoever is not permitted without written authority from the proprietor. Property of FCI. Copyright FCI.

Tous droits strictement réservés. Reproduction ou communication à des tiers interdite sous quelque forme que ce soit sans autorisation écrite du propriétaire. Propriété de FCI. Droits de reproduction FCI.

FCI

查询"72206-100CA"供应商

PRODUCT NO.  
72206-100CA  
NOTE ⑤



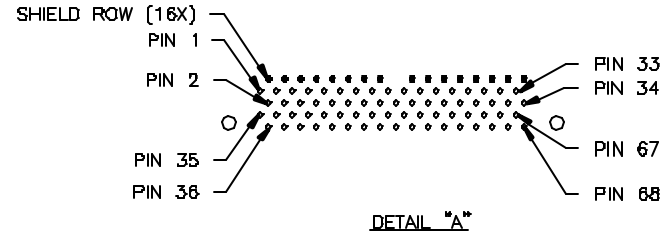
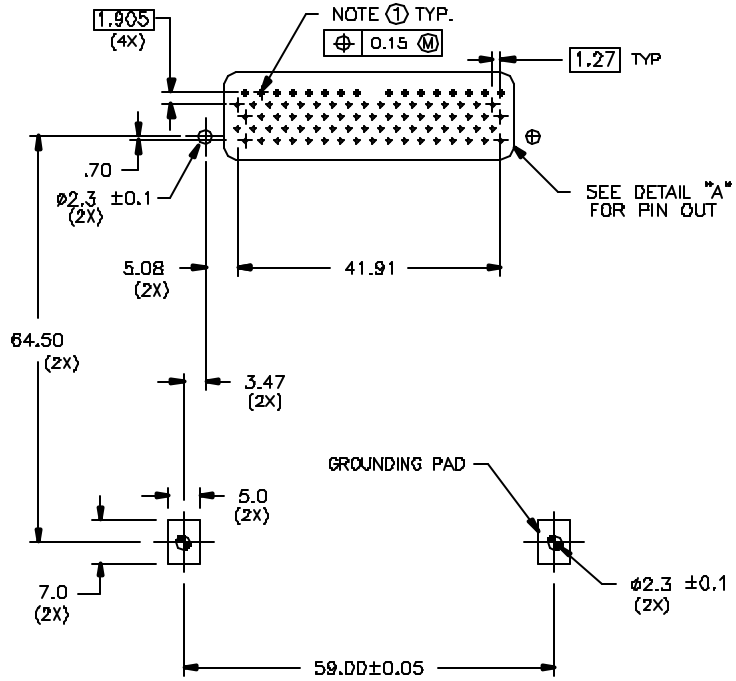
mat. code		tolerances unless otherwise specified		CUSTOMER COPY	 www.fciconnect.com		
ltr	ecn no	dr	date	linear	projection	title	
E				.X±.3	 MM	R/A CARBUS SINGLE DECK ASSEMBLY	
				.XX±.13		product family	code
				.XXX±.051		MCS	-
				angles	 1:1	size	
				dr		4/29/98	sheet
				engr		D.BRANN	2 of
				chr		D.BRANN	
				appd	D.BRANN	4/29/98	
sheet index	revision sheet						

cage code  
22526

ACAD

Tous droits strictement réservés. Reproduction ou communication à des tiers interdite sans quelque forme que ce soit sans autorisation écrite du propriétaire. Propriété de FCI. Droits de reproduction FCI.

查询"72206-100CA"供应商



P.C.B. LAYOUT

NOTES:

- ① RECOMMENDED DIAMETER IS  $\phi 1.0$ . FOR PROCESSES USING PASTE REFLOW, HOLE MAY BE AS SMALL AS  $\phi 0.79$ .
- 2 ALL TOLERANCES  $\pm 0.15$  UNLESS NOTED.

mat'l. code		tolerances unless otherwise specified		CUSTOMER COPY		 www.fciconnect.com	
ltr	ecn no	dr	date	linear	.X $\pm$ .3	projection	title
E					.XX $\pm$ .13	 MM	R/A CARDBUS SINGLE DECK ASSEMBLY
				angles	.XXX $\pm$ .051		product family
				dr	0° $\pm$ Z	scale	code
				engr	R.GRAPE 4/29/98	1:1	-
				chr	D.BRANN 4/29/98	size	sheet
				appd	D.BRANN 4/29/98	A4	3 of
sheet index	revision sheet						

cage code  
22526

ACAD