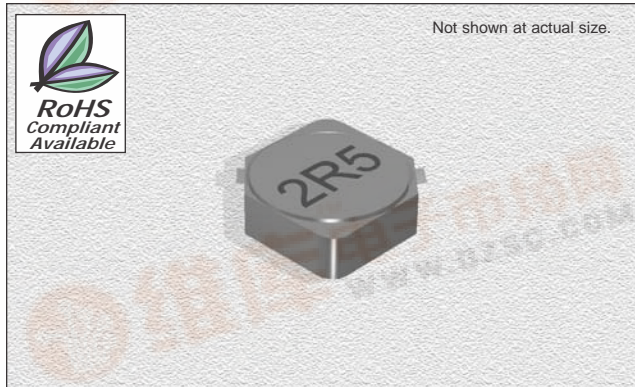


查询"CTCDRH5D28E-270N"供应商

## CTCDRH5D28 Series

From 2.5  $\mu\text{H}$  to 150  $\mu\text{H}$



### CHARACTERISTICS

**Description:** SMD (shielded) power inductor

**Applications:** Power supplies for VTR, OA equipment, LCD televisions, PC notebooks, portable communication equipment, DC/DC converters, etc.

**Operating Temperature:** -30°C to +100°C

**Inductance Tolerance:**  $\pm 30\%$

**Testing:** Tested on a HP4284A at 10 KHz, 0.25Vrms, 0Adc

**Packaging:** Tape & Reel

**Marking:** Parts are marked with inductance code

**Rated DC Current:** Indicates the current when the inductance decreases to 65% of its initial value or D.C. current when the temperature of coil is increased by 30% the smaller one is defined as rated current.

**Miscellaneous:** RoHS Compliant available

**Additional Information:** Additional electrical & physical information available upon request

**Samples available. See website for ordering information.**

### SPECIFICATIONS

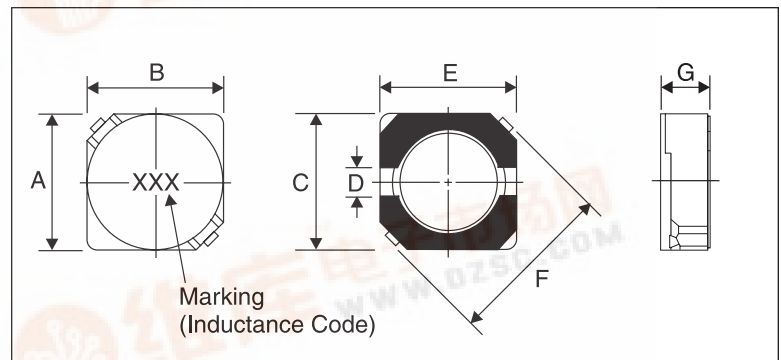
Parts are available in  $\pm 30\%$  tolerance only.

CTCDRH5D28E Please specify "F" for RoHS Compliant

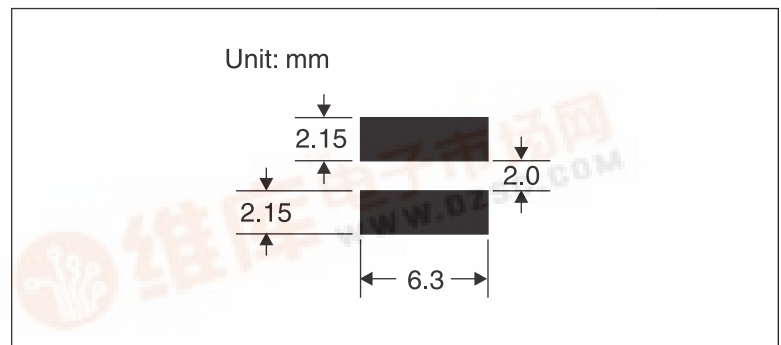
Part Number	Inductance ( $\mu\text{H} \pm 30\%$ )	L Test Freq. (kHz)	DCR Max. (m $\Omega$ )	Rated DC Current (A)
CTCDRH5D28_-2R5N	2.5	10	18	2.60
CTCDRH5D28_-3R0N	3.0	10	24	2.40
CTCDRH5D28_-4R2N	4.2	10	31	2.20
CTCDRH5D28_-5R3N	5.3	10	38	1.90
CTCDRH5D28_-6R2N	6.2	10	45	1.80
CTCDRH5D28_-8R2N	8.2	10	53	1.60
CTCDRH5D28_-100N	10	10	65	1.30
CTCDRH5D28_-120N	12	10	76	1.20
CTCDRH5D28_-150N	15	10	103	1.10
CTCDRH5D28_-180N	18	10	110	1.00
CTCDRH5D28_-220N	22	10	122	0.90
CTCDRH5D28_-270N	27	10	175	0.85
CTCDRH5D28_-330N	33	10	189	0.75
CTCDRH5D28_-390N	39	10	212	0.70
CTCDRH5D28_-470N	47	10	260	0.62
CTCDRH5D28_-560N	56	10	305	0.58
CTCDRH5D28_-680N	68	10	355	0.52
CTCDRH5D28_-820N	82	10	463	0.46
CTCDRH5D28_-101N	100	10	520	0.42
CTCDRH5D28_-121N	120	10	850	0.31
CTCDRH5D28_-151N	150	10	956	0.26

### PHYSICAL DIMENSIONS

Size	A	B	C	D	E	F	G
						Max.	Max.
mm	5.7 $\pm$ 0.3	5.7 $\pm$ 0.3	5.5	2.0	5.5	8.2	3.0
inches	0.22 $\pm$ 0.01	0.22 $\pm$ 0.01	0.217	0.08	0.217	0.32	0.12



### PAD LAYOUT



03.13.06

Manufacturer of Inductors, Chokes, Coils, Beads, Transformers & Toroids

800-684-5322 Inside US 949-453-1811 Outside US

Copyright © 2006 by CT Magnetics, DBA Central Technologies. All rights reserved.

CT Magnetics reserves the right to make improvements or change specifications without notice

