



LA7565E, 7565KM

IF Signal-Processing IC for PAL/NTSC Multi-System Audio TV and VCR Products

Overview

The LA7565E and LA7565KM are PAL/NTSC multi-system audio VIF/SIF signal-processing ICs that adopt a minimal-adjustment technique. The VIF circuit adopts a minimal-adjustment technique in which AFT adjustment is made unnecessary by VCO adjustment to simply end product adjustment. The FM detector circuit uses PLL detections to support multi-system audio detection. Since the LA7565BM include an SIF converter on chip, it is easy to implement multi-system audio. In addition, it also includes a buzz canceller that suppresses Nyquist buzz to achieve improved audio quality. The LA7565G and LA7565KM feature improvements over the LA7565B and LA7565BM in the FM low-range frequency characteristics, vertical synchronization buzz, and AFT drift.

Functions

[VIF Block]

- PLL detector
- AFT
- RF AGC
- Buzz canceller
- Equalizer amplifier
- SIF converter
- VIF amplifier
- IF AGC

[First SIF Block]

- First SIF detector
- First SIF amplifier

[SIF Block]

- PLL type FM detector
- Limiter amplifier

Features

- Allows the use of a switch circuit to switch between split and intercarrier operation.
- Improved buzz and buzz beat characteristics provided by a PLL detector plus buzz canceller system.
- The IF AGC second filter is built in.
- PAL/NTSC multi-system audio can be implemented easily.
- Adjustment-free circuit design that does not require AFT and SIF coils.

■ Any and all SANYO products described or contained herein do not have specifications that can handle applications that require extremely high levels of reliability, such as life-support systems, aircraft's control systems, or other applications whose failure can be reasonably expected to result in serious physical and/or material damage. Consult with your SANYO representative nearest you before using any SANYO products described or contained herein in such applications.

■ SANYO assumes no responsibility for equipment failures that result from using products at values that exceed, even momentarily, rated values (such as maximum ratings, operating condition ranges, or other parameters) listed in products specifications of any and all SANYO products described or contained herein.

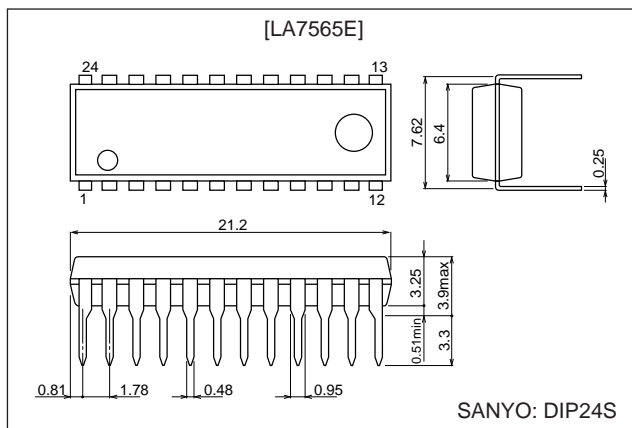
SANYO Electric Co.,Ltd. Semiconductor Company

TOKYO OFFICE Tokyo Bldg., 1-10, 1 Chome, Ueno, Taito-ku, TOKYO, 110-8534 JAPAN

Package Dimensions

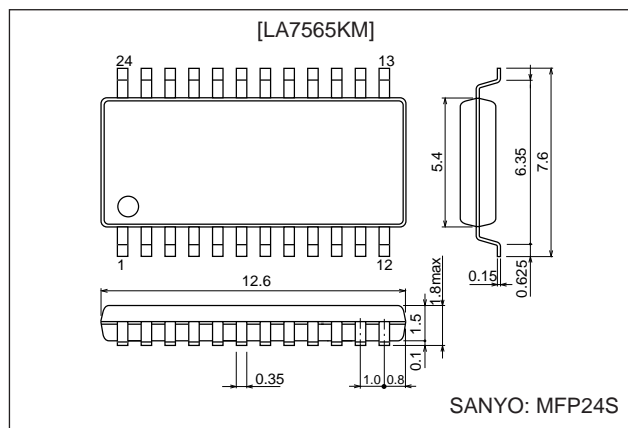
unit: mm

3067-DIP24S



unit: mm

3112-MFP24S



Specifications

Maximum Rating at Ta = 25°C

Parameter	Symbol	Conditions	Ratings	Unit
Maximum supply voltage	V _{CC} max		10	V
Circuit voltage	V13, V17		V _{CC}	V
Circuit current	I6		-3	mA
	I10		-10	mA
	I24		-2	mA
Allowable power dissipation	Pd max	(LA7565E) Ta ≤ 68°C	720	mW
		(LA7565KM) Ta ≤ 50°C, independent IC	420	mW
		(LA7565KM) * Mounted on a printed circuit board	720	mW
Operating temperature	Topr		-20 to +70	°C
Storage temperature	Tstg		-55 to +150	°C

Note: * When mounted on a 65 × 72 × 1.6 mm epoxy glass laminate printed circuit board.

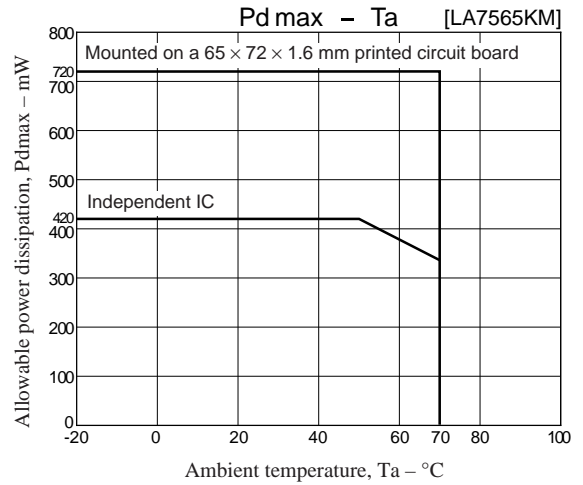
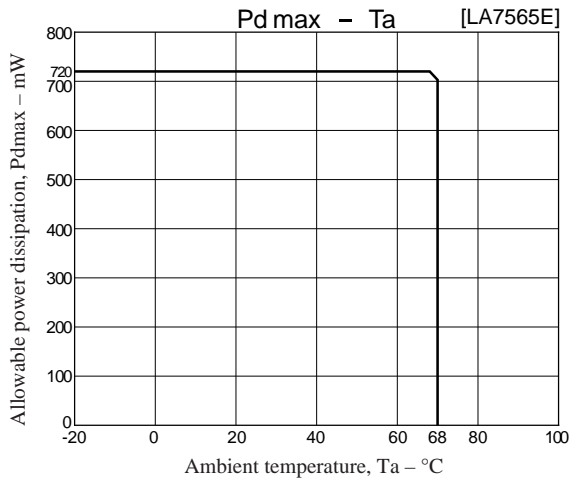
Operating Conditions at Ta = 25°C

Parameter	Symbol	Conditions	Ratings	Unit
Recommended supply voltage	V _{CC}		9	V
Operating supply voltage	V _{CC} op		8.5 to 9.5	V

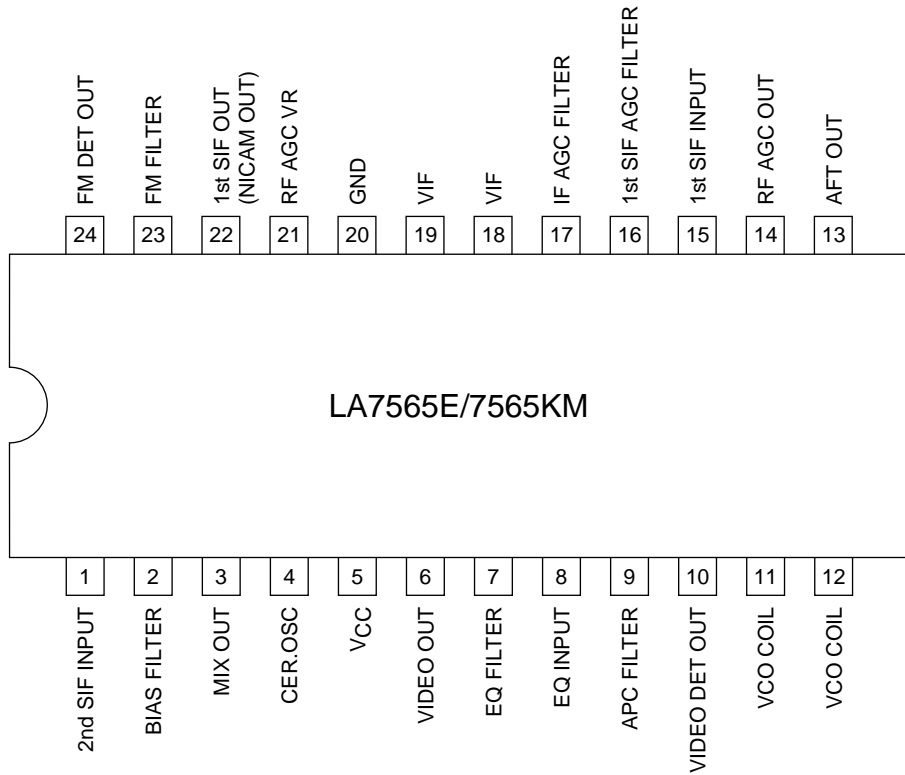
Electrical Characteristics at Ta = 25°C, VCC = 9 V, fp = 38.9 MHz

Parameter	Symbol	Conditions	Ratings			Unit
			min	typ	max	
[VIF Block]						
Circuit current	I ₅		37.4	44	50.6	mA
Maximum RF AGC voltage	V _{14H}		7.5	8.1		V
Minimum RF AGC voltage	V _{14L}			0	0.5	V
Input sensitivity	V _{IN}	S1 = OFF	26	32	38	dBμV
AGC range	G _R		62	68		dB
Maximum allowable input	V _{IN max}		92	97		dBμV
No-signal video output voltage	V ₆		3.5	3.8	4.2	V
Synchronizing signal tip voltage	V _{6 tip}		1.15	1.45	1.74	V
Video output level	V _O		1.7	2.0	2.3	Vp-p
Black noise threshold voltage	V _{BTH}		0.5	0.8	1.1	V
Black noise clamp voltage	V _{BCL}		2.5	2.8	3.1	V
Video S/N ratio	S/N		48	50		dB
C-S beat	IC-S		38	43		dB
Frequency characteristics	f _C	6 MHz	-3.0	-1.5		dB
Differential gain	DG			3.0	6.5	%
Differential phase	DP			3	5	deg
No-signal AFT voltage	V ₁₃		3.5	4.4	5.5	V
Maximum AFT voltage	V _{13H}		8.0	8.7	9.0	V
Minimum AFT voltage	V _{13L}		0	0.18	1.00	V
AFT detection sensitivity	Sf		25	36	47	mV/kHz
VIF input resistance	Ri	38.9 MHz		1.5		kΩ
VIF input capacitance	Ci	38.9 MHz		3		pF
APC pull-in range (U)	f _{PU}		0.8	1.3		MHz
APC pull-in range (L)	f _{PL}			-1.5	-0.8	MHz
AFT tolerance frequency 1	d _{fa 1}		-300	0	+300	kHz
VCO1 maximum frequency range (U)	d _{fu}		1.0	1.3		MHz
VCO1 maximum frequency range (L)	d _{fl}			-1.5	-1.0	MHz
VCO control sensitivity	B		0.9	1.8	3.6	kHz/mV
[First SIF Block]						
Conversion gain	VG		37.5	43.0	49.5	dB
5.5 MHz output level	S _O		46	100	150	mVrms
First SIF maximum input	Si max		112	223		mVrms
First SIF input resistance	Ri (SIF)	33.4 MHz		2		kΩ
First SIF input capacitance	Ci (SIF)	33.4 MHz		3		pF
[SIF Block]						
Limiting voltage	V _{i (lim)}		43	48	53	dBμV
FM detector output voltage	V _{O (FM)}	5.5 MHz ± 30 kHz*	720	900	1100	mVrms
AM rejection ratio	AMR		50	60		dB
Total harmonic distortion	THD			0.3	0.8	%
SIF S/N ratio	S/N (FM)		57	62		dB
[SIF Converter]						
Conversion gain	VG (SIF)		7	11	14	dB
Maximum output level	V max		102	108	111	dBμV
Carrier suppression ratio	VGR (5.5)		14	26		dB
Oscillator level	V _{OSC}			70		mVp-p
Oscillator leakage	OSCLeak		8	24		dB
Oscillator stopped current	I ₄				300	μA

Note: *The FM detector output level can be reduced and the FM dynamic range can be increased by inserting a resistor and a capacitor in series between pin 23 and ground.



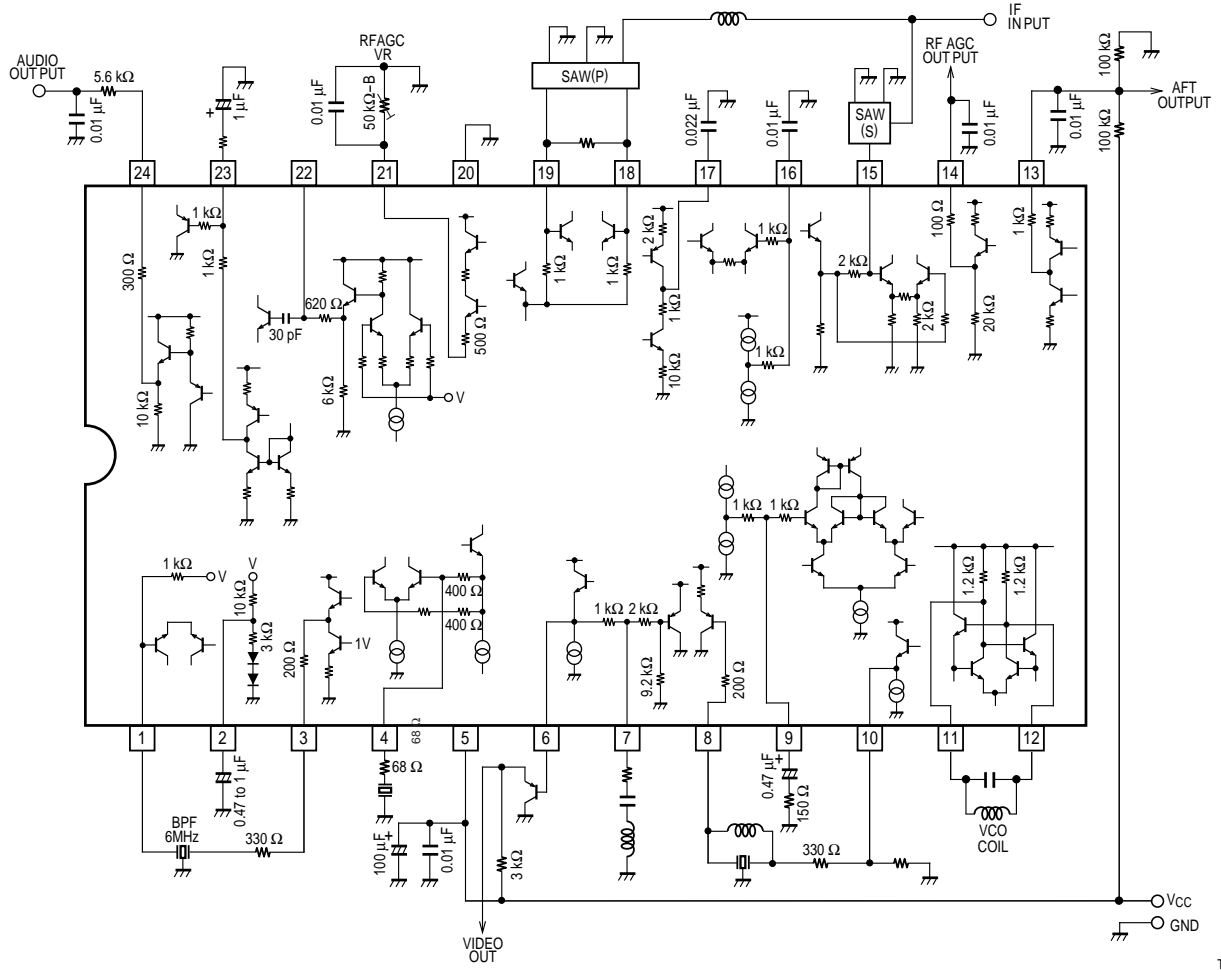
Pin Assignment



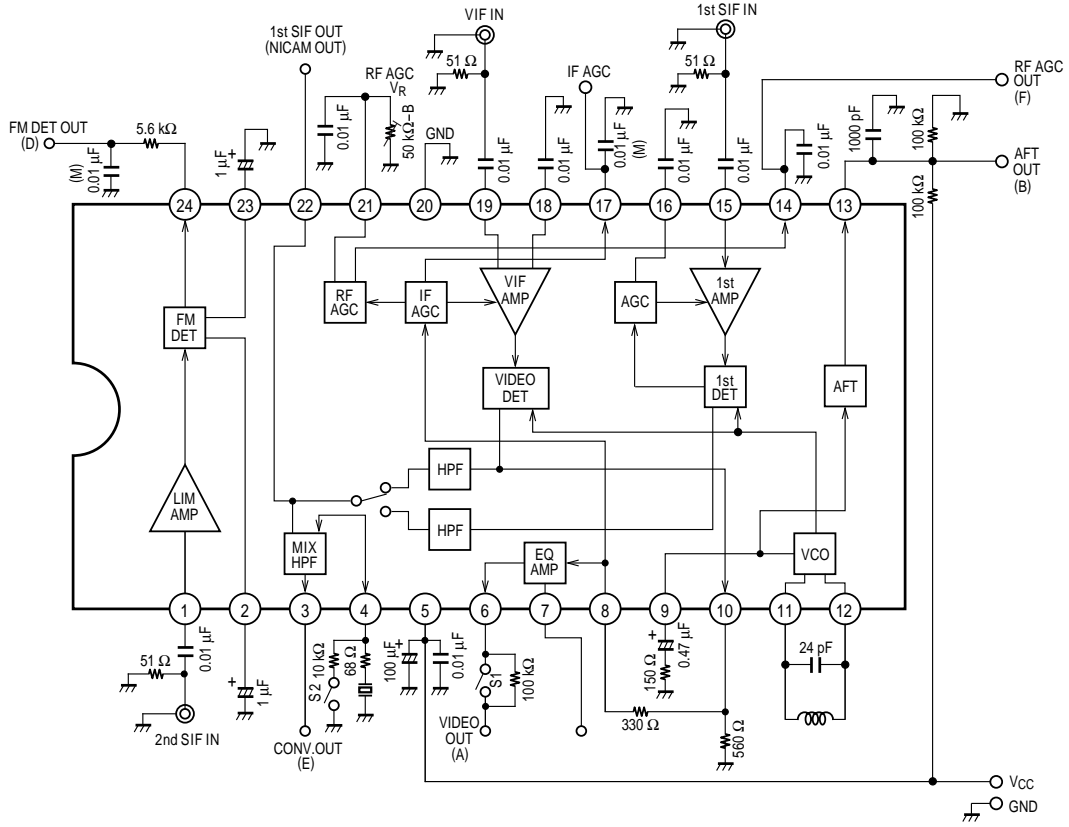
Top view

A12051

Internal Equivalent Circuit and External Circuit Diagram

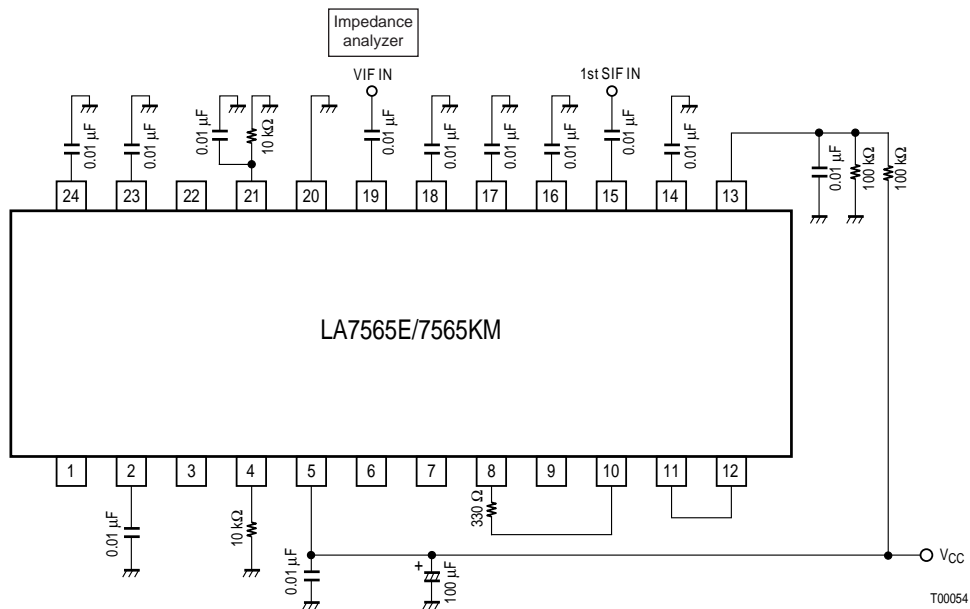


AC Characteristics Test Circuit



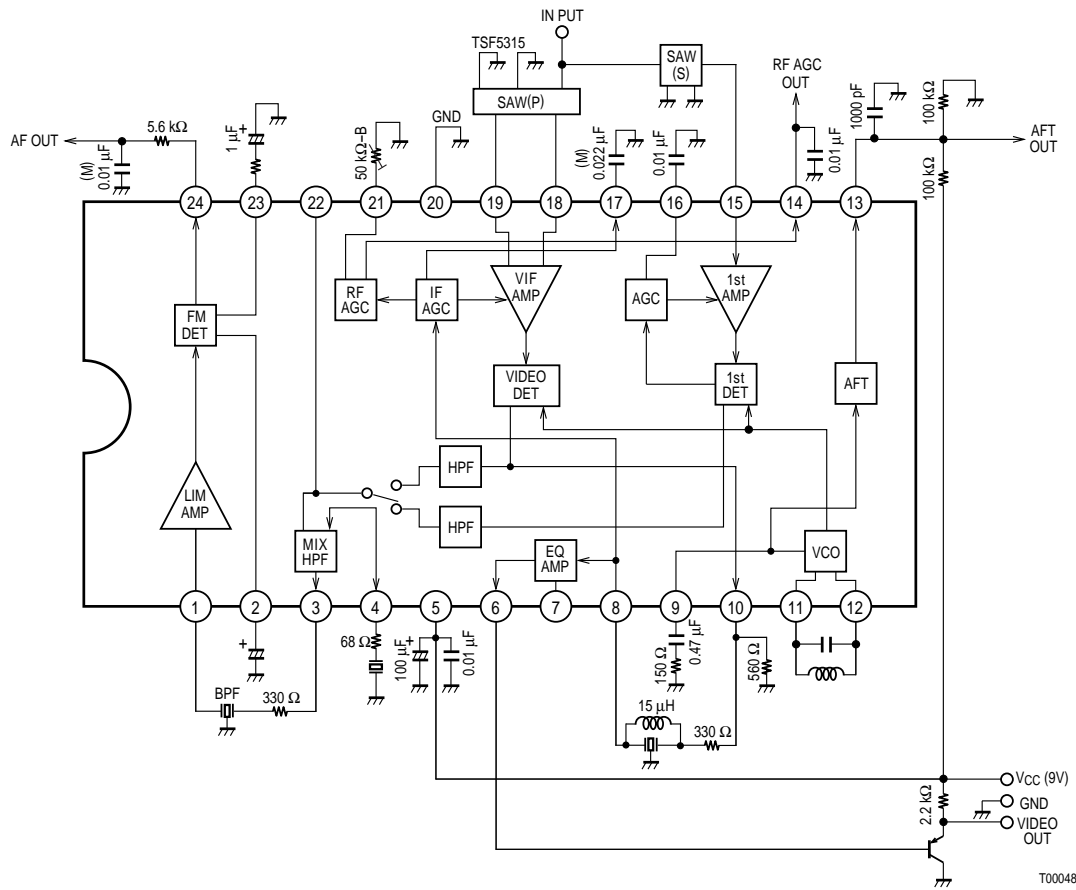
T00053

Test Circuit

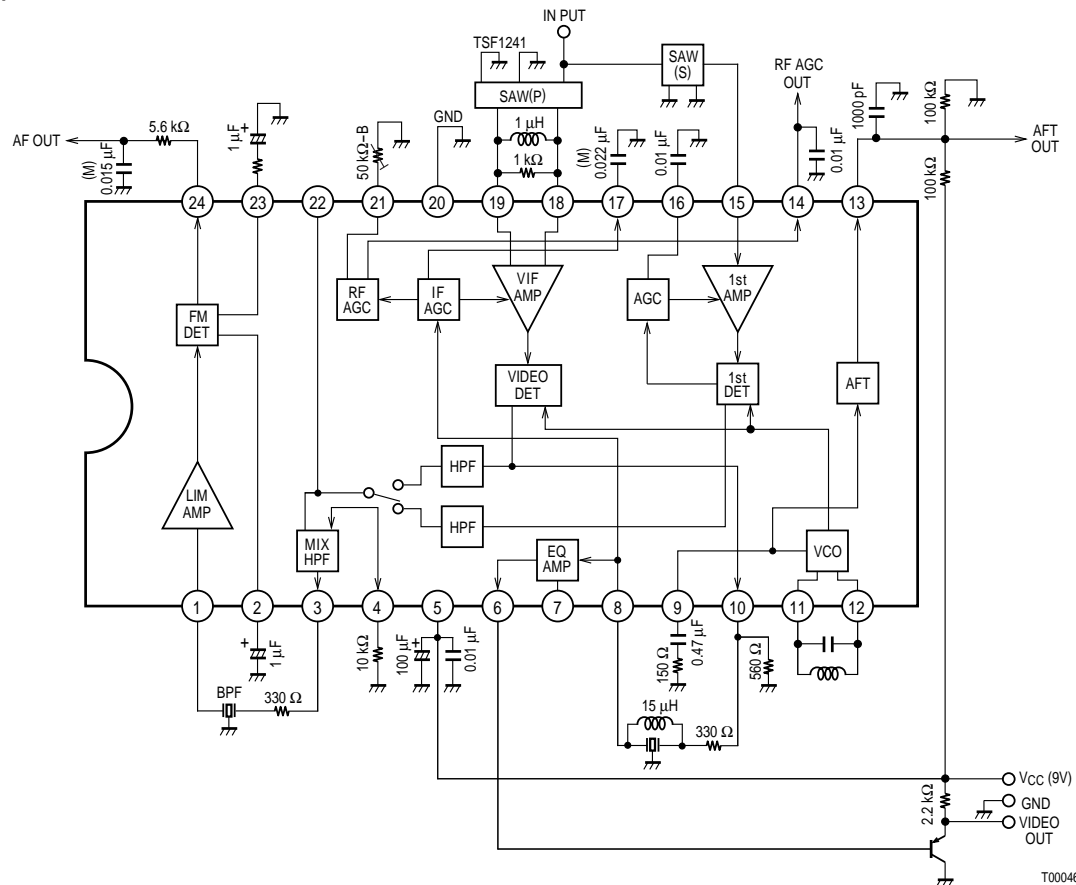


T00054

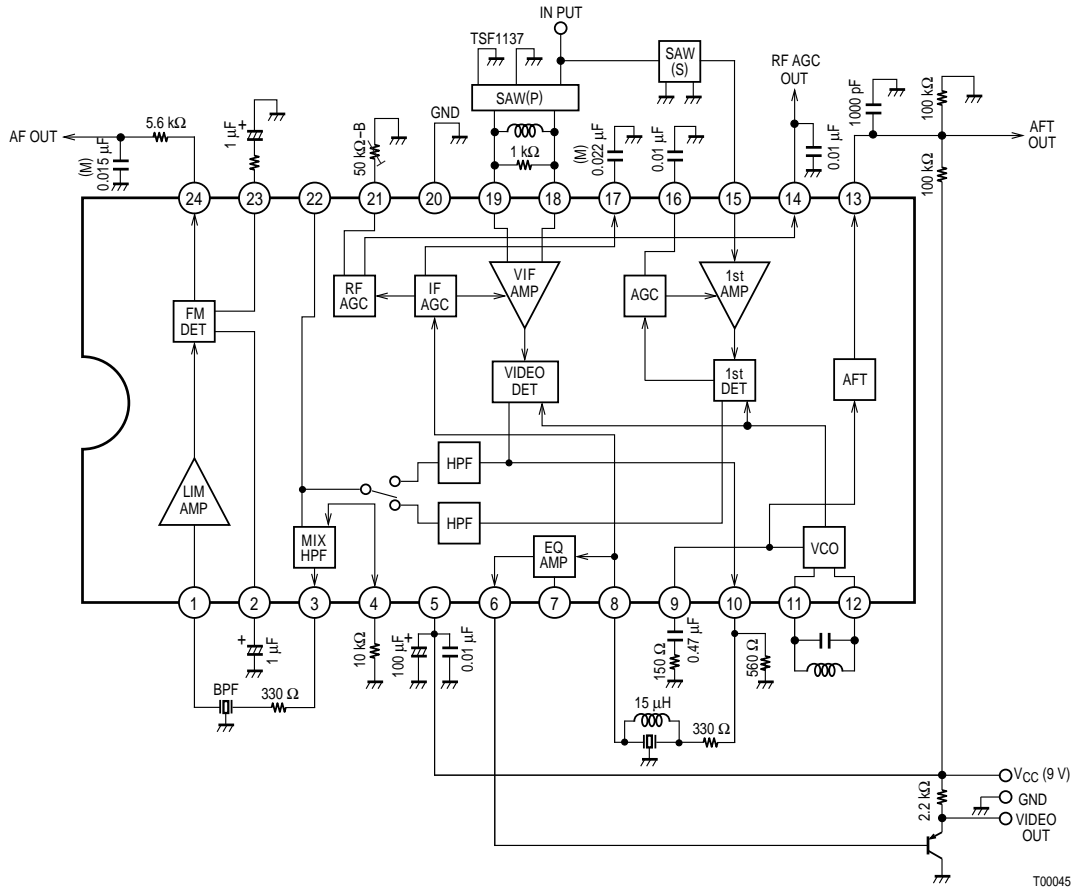
Sample Application Circuit
PAL SPLIT



NT (US) SPLIT

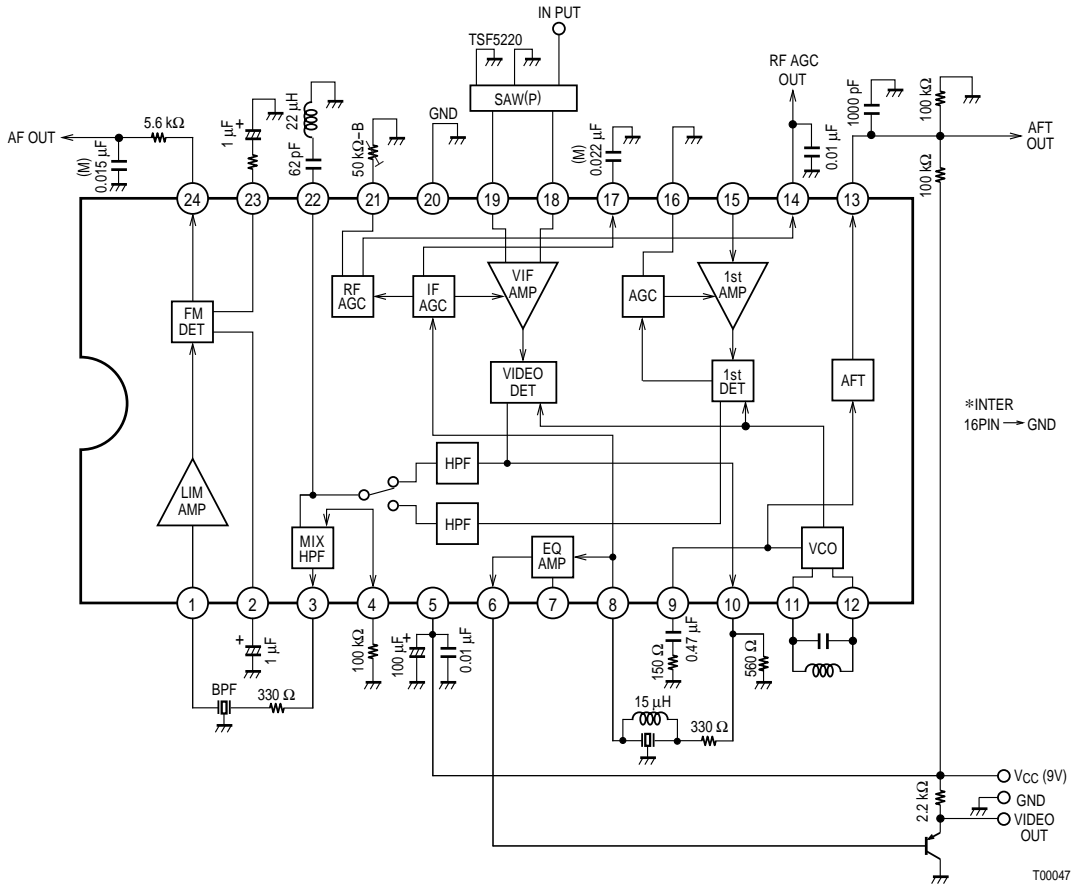


JAPAN SPLIT



T00045

NT (US) INTER

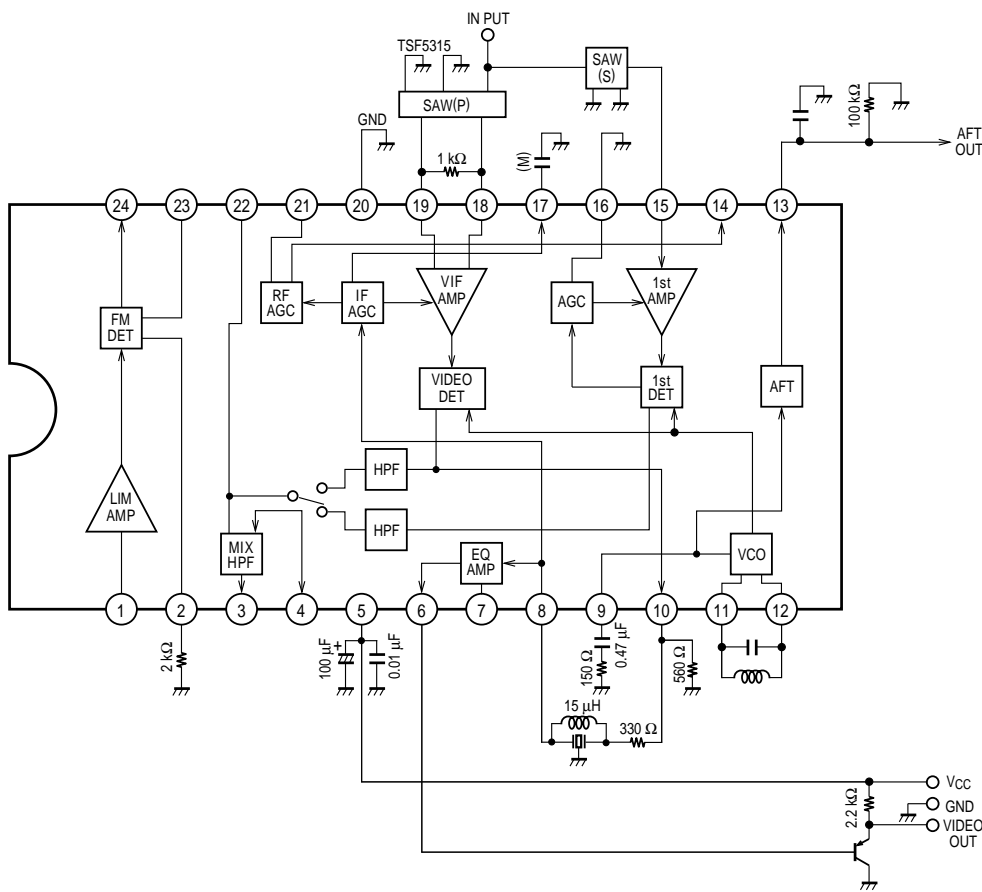


T00047

Sample Application Circuit (2)

When the SIF, first SIF, AFT, and RF AGC circuits are not used.

- When the SIF circuit is not used:
Leave pins 1, 23, and 24 open.
Insert a 2-kΩ resistor between pin 2 and ground.
- When the first SIF circuit is not used:
Leave pins 3, 4, 15, and 22 open.
Connect pin 16 to ground.
- When the AFT circuit is not used:
Since there is no way to defeat the AFT circuit, connect a 100-kΩ resistor and a 0.01-μF capacitor in parallel between pin 13 and ground.
- When the RF AGC circuit is not used:
Leave pins 14 and 21 open.
A 0.01-μF capacitor must be inserted between pin 21 and ground to prevent oscillation.



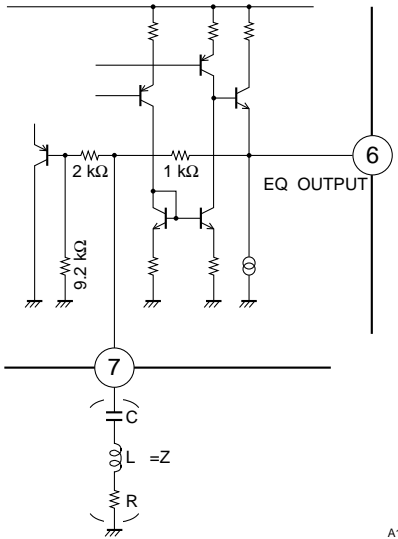
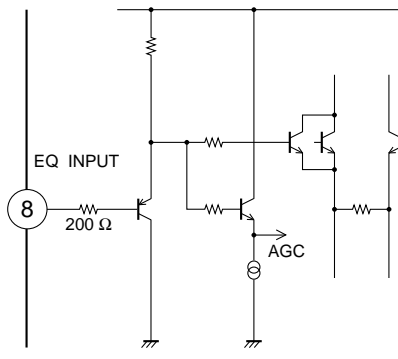
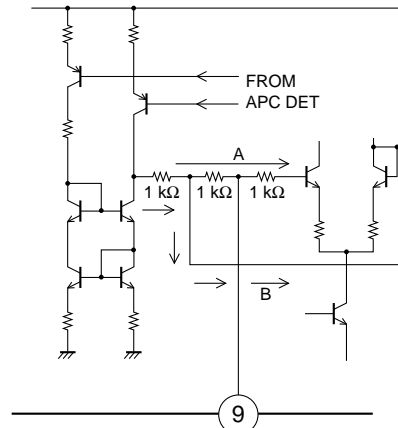
T00044

Pin Functions

Pin No.	Pin	Pin function	Equivalent circuit
1	SIF INPUT	<p>The input impedance is about 1 kΩ. If interference signals enter via this pin, those signals may cause buzz and buzz beat noise. (Here, signals such as video signals or chrominance signals are the main audio interference signals. The VIF carrier signal may also appear as interference.) The application printed circuit board pattern layout should be designed carefully to prevent interference from entering at this pin.</p>	
2	FM power supply filter	<p>The FM S/N ratio can be improved by inserting a filter in the FM detector bias line. The capacitor C1 should have a value of 0.47 μF or greater, and 1 μF is recommended. A 2-kΩ resistor must be inserted between pin 2 and ground if the FM detector is not used. This stops the FM detector VCO.</p>	
3 4	SIF converter	<p>Pin 3 is the SIF converter output. This signal is passed through a 6-MHz band-pass filter and input to the SIF circuit. A 200-Ω resistor is inserted in series with the emitter-follower output.</p> <p>Pin 4 is the SIF converter 500-kHz oscillator pin. Since the oscillator circuit includes an ALC circuit, the oscillator level is controlled at a fixed, relatively low level. An external 10-kΩ resistor must be inserted between pin 3 and ground if this circuit is not used. Attaching this external resistor stops the 500-kHz oscillator and the converter can be used as an amplifier.</p>	

Continued on next page.

Continued from preceding page.

Pin No.	Pin	Pin function	Equivalent circuit
5	V _{CC}	V _{CC} and ground should be decoupled with as small a separation as possible.	
6 7 8	EQ amp	<p>Connections for the equalizer circuit. This circuit corrects the frequency characteristics of the video signal. Pin 8 is the equalizer amplifier input. A 1.5-V_{p-p} video signal is input and amplified to 2.0 V_{p-p} by the equalizer amplifier.</p> <p>The equalizer amplifier is designed as a voltage-follower amplifier with a gain of about 2.3 dB. When frequency characteristic correction is used, a capacitor, an inductor, and a resistor must be connected in series between pin 7 and ground.</p> <ul style="list-style-type: none"> Using the equalizer amplifier <p>If v_i is the input signal and v_o is the output signal, then: $R1/Z + 1 (v_i + v_{in}) = v_o \times G$ Where, G: Gain of the voltage follower amplifier v_{in}: Imaginary short G: About 2.3 dB Assuming $v_{in} \approx 0$:</p> <p>Then, $AV = v_o G / v_i = R1/Z + 1$.</p> <p>R1 is an IC internal resistor with a value of 1 kΩ. Simply select a Z according to the desired characteristics. However, since the equalizer amplifier is maximum at the Z resonance point, care is required to prevent distortion from occurring at that frequency.</p>	 <p style="text-align: right;">A12056</p>  <p style="text-align: right;">A12057</p>
9	APC filter	<p>PLL detector APC filter connection. The APC time constant is switched internally. When the PLL is locked, the VCO is controlled over the path marked A in the figure and the loop gain is lowered. When the PLL is unlocked and in weak field reception conditions, the VCO is controlled over the path marked B in the figure and the loop gain is increased.</p> <p>We recommend values of: R = between 150 and 390 Ω, and C = 0.47 μF for this APC filter.</p>	 <p style="text-align: right;">A12058</p>

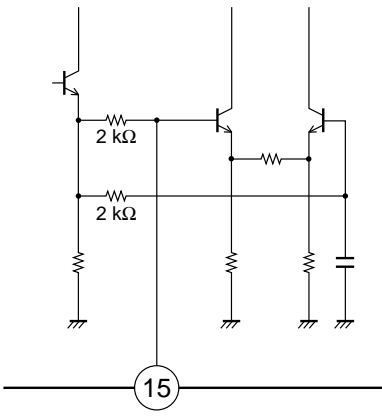
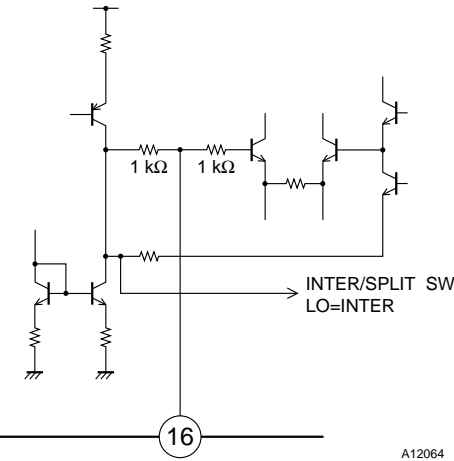
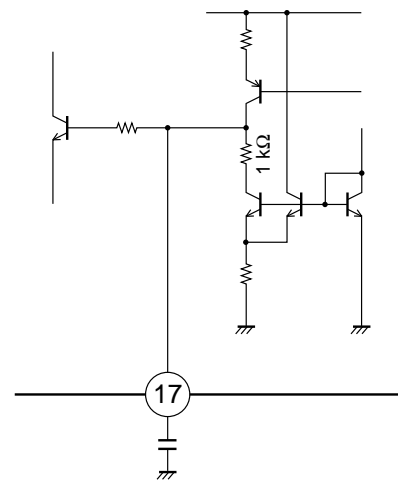
Continued on next page.

Continued from preceding page.

Pin No.	Pin	Pin function	Equivalent circuit
10	Composite video output	Output for the video signal that includes the SIF carrier. To acquire adequate drive capabilities, a resistor must be inserted between pin 10 and ground. $R \geq 300 \Omega$	
11 12	VCO tank	This is the VCO tank circuit used for the video detector. Refer to the coil specifications provided separately for more information on the tank circuit. This VCO is a vector synthesis VCO.	
13	AFT output	The AFT center voltage is created by an external bleeder resistor. The AFT gain increases as the value of this external bleeder resistor is increased. Note that the value of this resistor must not exceed 390 kΩ. This circuit includes a control function that naturally brings the AFT voltage to its center value under weak field reception conditions.	
14	RF AGC output	This output controls the tuner RF AGC. There is a 200-Ω series protection resistor inserted in the emitter output. Determine the value of the external bleeder resistor based on the characteristics of the tuner used.	

Continued on next page.

Continued from preceding page.

Pin No.	Pin	Pin function	Equivalent circuit
15	First SIF input	<p>A DC cut capacitor must be used in the input to this circuit.</p> <ul style="list-style-type: none"> • When using a SAW filter: The first SIF sensitivity can be increased by inserting an inductor between the SAW filter and the IC input to counteract the SAW filter output capacitance and the IC input capacitance. • When used with an intercarrier sound system: This pin may be left open. 	 <p style="text-align: right;">A12063</p>
16	First SIF AGC filter	<p>This IC adopts an average-value AGC technique. The first SIF conversion gain is about 30 dB, and the AGC range is 50 dB or greater. A capacitor of 0.01 μF is normally used as the filter connected to this pin.</p> <ul style="list-style-type: none"> • When used with an intercarrier sound system: This pin (pin 16) should be shorted to ground. The IC internal switch will operate and the intercarrier output will be connected to the SIF converter input. 	 <p style="text-align: right;">A12064</p>
17	IF AGC filter	<p>The internal AGC peak detector output signal is converted to the AGC voltage at pin 17. Additionally, a second AGC filter (a lag-lead filter) used to create dual time constants internally to the IC is built in.</p> <p>A 0.022-μF external capacitor is used. The value of this capacitor must be adjusted based on an analysis of the sag, AGC speed, and other aspects.</p>	 <p style="text-align: right;">A12065</p>

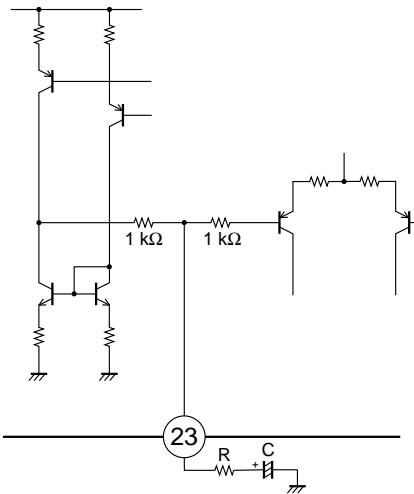
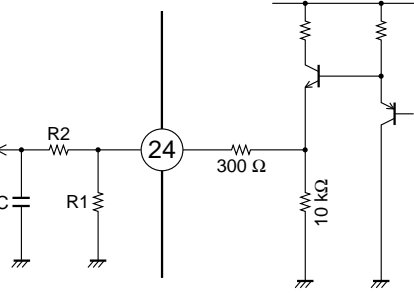
Continued on next page.

Continued from preceding page.

Pin No.	Pin	Pin function	Equivalent circuit
18 19	VIF input	Input for the VIF amplifier. The input circuit creates an averaged input and has an input impedance determined by the following resistor and capacitor values. $R \approx 1.5 \text{ k}\Omega$ $C = 3 \text{ pF}$	<p style="text-align: right;">A12066</p>
20	GND		
21	RF AGC VR	RF AGC VR connection. This pin sets the tuner RF AGC operating point. Also, the FM output and the video output can be muted at the same time by shorting this pin to ground.	<p style="text-align: right;">A12067</p>
22	First SIF output	A 600-Ω resistor is attached to the emitter follower internally for signal output. When an intercarrier sound system is used, the buzz characteristics can be improved by forming a chrominance carrier trap on this pin.	<p style="text-align: right;">A12068</p>

Continued on next page.

Continued from preceding page.

Pin No.	Pin	Pin function	Equivalent circuit
23	FM filter	<p>Connection for a filter used to hold the FM detector output at a fixed DC voltage.</p> <p>Normally, a 1-μF electrolytic capacitor is used. If the low area (around 50 Hz) frequency characteristics are seen as a problem, this capacitance should be increased.</p> <p>The FM detector output level can be reduced and the FM dynamic range can be increased by inserting a resistor and a capacitor in series between pin 23 and ground.</p>	 <p style="text-align: right;">A12069</p>
24	FM detector output	<p>Audio FM detector output.</p> <p>A resistance of 200 Ω is inserted in series with the emitter follower.</p> <ul style="list-style-type: none"> • In applications that support stereo: In applications that input to a stereo decoder, the reduced input impedance can cause distortion in the L-R signal. This may degrade the stereo characteristics. If this is a problem add the resistor R1 between pin 24 and ground. • In applications that support mono: Attach an external de-emphasis circuit with the following time constant. <p>$R1 \geq 5.1 \text{ k}\Omega$</p> <p>$t = CR2$</p>	 <p style="text-align: right;">A12070</p>

Notes on Sanyo SAW Filters

There are two types of SAW filters, which differ in the piezoelectric substrate material, as follows:

1. Lithium tantalate (LiTaO3) SAW filter

TSF11 □□ Japan

TSF12 □□ US

Although lithium tantalate SAW filters have the low temperature coefficient of $-18 \text{ ppm}/^\circ\text{C}$, they suffer from a large insertion loss. However, it is possible, at the cost of increasing the number of external components required, to minimize this insertion loss by using a matching circuit consisting of coils and other components at the SAW filter output. At the same time as minimizing insertion loss, this technique also allows the frequency characteristics, level, and other aspects to be varied, and thus provides increased circuit design flexibility. Also, since the SAW filter reflected wave level is minimal, the circuit can be designed with a small in-band ripple level.

2. Lithium niobate (LiNbO3) SAW filter

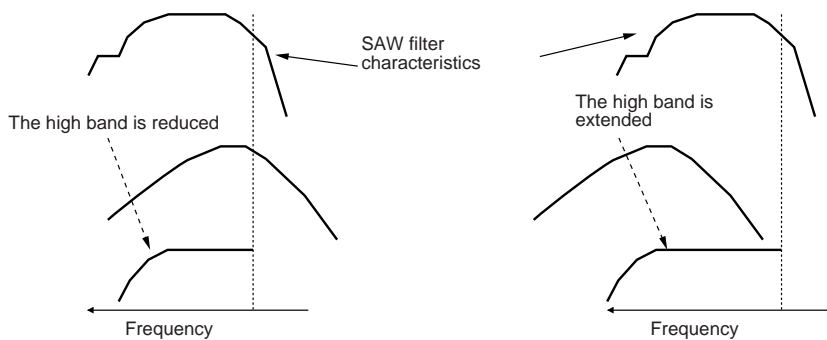
TSF52 □□ US

TSF53 □□ PAL

Although lithium niobate SAW filters have the high temperature coefficient of $-72 \text{ ppm}/^\circ\text{C}$, they feature an insertion loss about 10 dB lower than that of lithium tantalate SAW filters. Accordingly, there is no need for a matching circuit at the SAW filter output. Although the in-band ripple is somewhat larger than with lithium tantalate SAW filters, since they have a low impedance and a small field slew, they are relatively immune to influences from peripheral circuit components and the geometry of the printed circuit board pattern. This allows stable out-of-band trap characteristics to be acquired. Due to the above considerations, lithium tantalate SAW filters are used in applications for the US and Japan that have a high IF frequency, and lithium niobate SAW filters are used in PAL and US applications that have a low IF frequency.

Notes on SAW Filter Matching

In SAW filter input circuit matching, rather than matching the IF frequency, flatter video band characteristics can be acquired by designing the tuning point to be in the vicinity of the audio carrier rather than near the chrominance carrier. The situation shown in figure on the right makes it easier to acquire flat band characteristics than that in figure on the left.

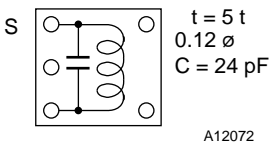
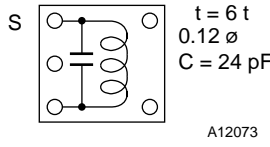
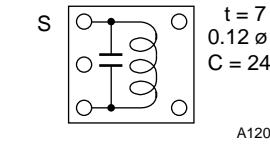


A12071

With the tuning set to the IF frequency

With the tuning set to the vicinity of S and C

Coil Specifications

	JAPAN f = 58.75 MHz	US f = 45.75 MHz	PAL f = 38.9 MHz
VCO coil	 <p>t = 5 t 0.12 ø C = 24 pF A12072</p> <p>Test production no. V291XCS-3220Z Toko Co., Ltd.</p>	 <p>t = 6 t 0.12 ø C = 24 pF A12073</p> <p>Test production no. 291XCS-3188Z Toko Co., Ltd.</p>	 <p>t = 7 t 0.12 ø C = 24 pF A12074</p> <p>Test production no. 292GCS-7538Z Toko Co., Ltd.</p>
SAW filter (SPLIT)	<p>Picture TSF1137U</p> <p>Sound</p>	<p>Picture TSF1241</p> <p>Sound</p>	<p>Picture TSF5315</p> <p>Sound</p>
SAW filter (INTER)		<p>TSF5220 TSF5221</p>	<p>TSF5321 TSF5344</p>

Toko Co., Ltd.
2-1-17 Higashi-yukigaya, Ohta-ku, Tokyo, Japan TEL: +81-3-3727-1167

Notes on VCO Tank Circuits

1. Built-in capacitor VCO tank circuits

When the power is turned on, the heat generated by the IC is transmitted through the printed circuit board to the VCO transformer. At this point, the VCO coil frame functions as a heat sink and the IC heat is dissipated. As a result, it becomes more difficult to transmit heat to the VCO transformer's built-in capacitor, and the influence of drift at power on is reduced. Therefore, it suffices to design the circuit so that the coil and capacitor thermal characteristics cancel. Ideally, it is better to use a coil with a core material that has low temperature coefficient characteristics.

2. External capacitor VCO tank circuits

When an external capacitor is used, heat generated by the IC is transmitted through the printed circuit board directly to the VCO tank circuit external capacitor. While this capacitor is heated relatively early after the power is turned on, the coil is not influenced as much by this heat, and as a result the power-on drift is increased. Accordingly, a coil whose core material has low temperature coefficient characteristics must be used. It is also desirable to use a capacitor with similarly low temperature coefficient characteristics.

Note: Applications that use an external capacitor here must use a chip capacitor. If an ordinary capacitor is used, problems such as the oscillator frequency changing with the capacitor orientation may occur.

- Specifications of any and all SANYO products described or contained herein stipulate the performance, characteristics, and functions of the described products in the independent state, and are not guarantees of the performance, characteristics, and functions of the described products as mounted in the customer's products or equipment. To verify symptoms and states that cannot be evaluated in an independent device, the customer should always evaluate and test devices mounted in the customer's products or equipment.
- SANYO Electric Co., Ltd. strives to supply high-quality high-reliability products. However, any and all semiconductor products fail with some probability. It is possible that these probabilistic failures could give rise to accidents or events that could endanger human lives, that could give rise to smoke or fire, or that could cause damage to other property. When designing equipment, adopt safety measures so that these kinds of accidents or events cannot occur. Such measures include but are not limited to protective circuits and error prevention circuits for safe design, redundant design, and structural design.
- In the event that any or all SANYO products (including technical data, services) described or contained herein are controlled under any of applicable local export control laws and regulations, such products must not be exported without obtaining the export license from the authorities concerned in accordance with the above law.
- No part of this publication may be reproduced or transmitted in any form or by any means, electronic or mechanical, including photocopying and recording, or any information storage or retrieval system, or otherwise, without the prior written permission of SANYO Electric Co., Ltd.
- Any and all information described or contained herein are subject to change without notice due to product/technology improvement, etc. When designing equipment, refer to the "Delivery Specification" for the SANYO product that you intend to use.
- Information (including circuit diagrams and circuit parameters) herein is for example only; it is not guaranteed for volume production. SANYO believes information herein is accurate and reliable, but no guarantees are made or implied regarding its use or any infringements of intellectual property rights or other rights of third parties.

This catalog provides information as of April, 2003. Specifications and information herein are subject to change without notice.