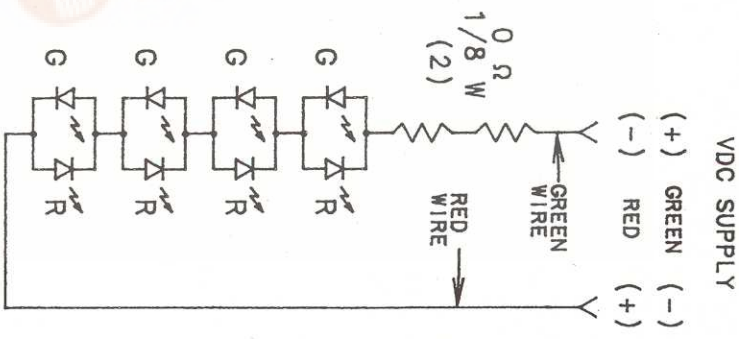


BI-COLOR LED  
 OPERATING CHARACTERISTICS AT  $T_A = 25^\circ C$ .

PARAMETER	COLOR	MIN	TYP	MAX	UNITS	TEST COND.
FORWARD VOLTAGE	RED		1.8	2.4	V	$I_F = 20$ mA
	GREEN		2.1	2.8	V	
PEAK WAVELENGTH	RED		660		nm	MEASURED AT PEAK
	GREEN		565		nm	
LUMINOUS INTENSITY	RED	14	60		mcad	
	GREEN	9	20		mcad	$I_F = 20$ mA
CONTINUOUS FORWARD CURRENT	RED		40		mA	
	GREEN		30		mA	
REVERSE CURRENT	RED			100	mA	$V_R = 5$ V
	GREEN				mA	
VIEWS ANGLE (2 $\theta$ /2)	RED		80		deg.	
	GREEN		80		deg.	
CAPACITANCE	RED		30		pF	$f = 0$ ; $f = 1$ MHz.
	GREEN		35		pF	
ABSOLUTE MAXIMUM RATINGS AT $25^\circ C$ .						
POWER DISSIPATION	RED	100			GREEN	100
DERATE LINEARLY FROM $25^\circ$			.5	.4	mA/ $^\circ C$	mW
PEAK FORWARD CURRENT			200	120	mA	
REVERSE VOLTAGE			4	5	V	
OPERATING TEMPERATURE RANGE			-55 TO +100		$^\circ C$	
STORAGE TEMPERATURE			-55 TO +100		$^\circ C$	

- NOTE:
- THIS PRODUCT REQUIRES EXTERNAL RESISTOR. (NO RESISTOR IN THIS PACKAGE).
  - LIGHT COLOR: RED & GREEN. RED WIRE TO (+) RED LIGHT ON. GREEN WIRE TO (+) GREEN LIGHT ON.
  - WIRE LEADS: 24 AWG, 7/32 STRANDED. PRE-BONDED, TYPE C. MIL-W-168780 UL STYLE 1569; CSA TR-64. INSULATION PVC WITH VW-1 FLAME TEST APPROVED DESIGNATION.



SCHEMATIC

A			
LTR	ECN NO.	DRN, APP.	DATE
			L.R. 7.8.2-18-97
NEW RELEASE			
REVISIONS			
SCALE: 1:1			
TOLERANCES: UNLESS OTHERWISE SPECIFIED			
ALL DIM'S IN: INCHES			
MM			
FRACTIONS: $\pm 1/64$			
DECIMALS (.XX) $\pm .020$			
DECIMALS (.XXX) $\pm .015$			
ANGLES $\pm 3^\circ$			
FINISH:			
FSCM	83330		
CUSTOMER DRAWING NO.		DWG. REV.	
C-16193		A	
TITLE			
RED/GREEN BI-COLOR VDC LED			
PANEL MOUNT 2 LEADS INDICATOR			
PART NUMBER		557-0001-806	
Dialight			
1913 Atlantic Ave.			
Manssouran, NJ 08736			