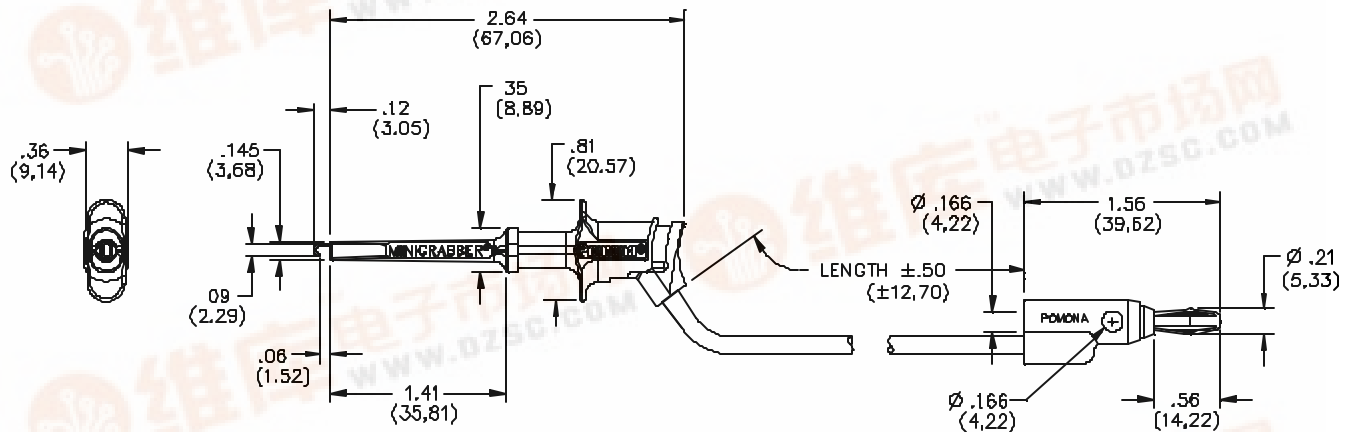


**Model 6249 Minigrabber®
 Test Clip To Multi-Stacking
 Banana Plug Test Lead**



FEATURES:

- Newly designed Minigrabber® Test Clip Patch Cord offers a high 300 Volt and 5 amp rating.
- Grabber width is a slim .36" (9,14 mm) for easier access to test terminals.
- Grabber hook is gold plated Beryllium Copper to ensure signal integrity & attaches onto component leads up to .060" (1,5 mm) O.D.
- Grabber patch cord interfaces directly into the most popular multimeters configured with non-sheathed style banana jacks, including Amprobe, Fluke, H-P, Tektronix and Wavetek.
- Plug is molded directly to the cable in an integral one-piece design for a long lasting connection.
- Multi-leaf banana spring material is nickel-plated Beryllium Copper for extended insertion life & low contact resistance.
- Banana plug features top and side stacking for added test versatility.
- High strand count silicone insulated wire offers excellent flexibility and high temperature resistance.

MATERIALS:

Grabber: Body: Nylon – Fire Retardant

Hook: Beryllium Copper, Gold Plated, Compression Spring: Music Wire

Wire: 18 AWG, 65 x 36 t.c., Insulation – Silicone, .144" (3,66 mm) O.D., Color per P/N.

Banana Plug: Body - Brass, Nickel Plated, Spring – Beryllium Copper, Nickel Plated

Insulation – Polypropylene, Color per part number

RATING:

IEC 1010 2-031

Operating Voltage: Handheld Testing: 30 VAC / 60 VDC Max.

Hands Free Testing in Controlled Voltage environments: 300 WVDC Max.

Current: 5 Amperes Max.

ORDERING INFORMATION: Model 6249-XX-*

XX = Lead Length in Inches, Standard Lengths: 12" (30,48 cm), 24" (61 cm), 48" (122 cm)

*= Color Code, -0 Black and -2 Red

Additional lengths can be quoted upon request.

All dimensions are in inches. Tolerances (except noted): .xx = ±.02" (.51 mm), .xxx = ± .005" (.127 mm).

All specifications are to the latest revisions. Specifications are subject to change without notice.

Registered trademarks are the property of their respective companies. Made in USA