

REVISIONS												
LTR	DESCRIPTION	DATE (YR-MO-DA)	APPROVED									
B	Add case outline "F" to device type 01. Add vendor CAGE 18324 to case outlines E, F, and 2. Editorial changes throughout. Change current CAGE code.	88 DEC. 08	<i>M.L. Sp</i>									
<p>CURRENT CAGE CODE 67268</p>												
REV												
SHEET												
REV												
SHEET												
REV STATUS OF SHEETS	REV	B	B		B	B	B		B	B	B	
	SHEET	1	2	3	4	5	6	7	8	9	10	11
PMIC N/A	PREPARED BY <i>James Micklaus</i>		DEFENSE ELECTRONICS SUPPLY CENTER DAYTON, OHIO 45444									
STANDARDIZED MILITARY DRAWING THIS DRAWING IS AVAILABLE FOR USE BY ALL DEPARTMENTS AND AGENCIES OF THE DEPARTMENT OF DEFENSE AMSC N/A	CHECKED BY <i>Wm Johnson</i>											
	APPROVED BY <i>[Signature]</i>											
	DRAWING APPROVAL DATE 30 SEPTEMBER 1986											
REVISION LEVEL		MICROCIRCUIT, DIGITAL, HIGH-SPEED CMOS, QUAD 2-INPUT, MULTIPLEXER MONOLITHIC SILICON										
		SIZE	CAGE CODE									
		A	14933	5962-86823								
		SHEET		1	OF 11							

DESC FORM 193-1
SEP 87

U.S. GOVERNMENT PRINTING OFFICE: 1987 - 748-129/60912

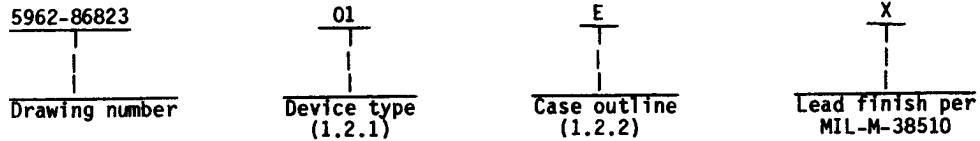
5962-E993-3

DISTRIBUTION STATEMENT A. Approved for public release; distribution is unlimited.

1. SCOPE

1.1 Scope. This drawing describes device requirements for class B microcircuits in accordance with 1.2.1 of MIL-STD-883, "Provisions for the use of MIL-STD-883 in conjunction with compliant non-JAN devices".

1.2 Part number. The complete part number shall be as shown in the following example:



1.2.1 Device type. The device type shall identify the circuit function as follows:

Device type	Generic number	Circuit function
01	54HC158	Multiplexer, quad 2-input (inverted output)

1.2.2 Case outlines. The case outlines shall be as designated in appendix C of MIL-M-38510, and as follows:

Outline letter	Case outline
E	D-2 (16-lead, .840" x .310" x .200"), dual-in-line package
F	F-5 (16-lead, .440" x .285" x .085"), flat package
2	C-2 (20-terminal, .358" x .358" x .100"), square chip carrier package

1.3 Absolute maximum ratings. 1/

Supply voltage range	-----	-0.5 V dc to +7.0 V dc
DC input voltage	-----	-0.5 V dc to $V_{CC} + 0.5$ V dc
DC output voltage	-----	-0.5 V dc to $V_{CC} + 0.5$ V dc
Clamp diode current	-----	±20 mA
DC output current	-----	±25 mA
DC V_{CC} or GND current	-----	±50 mA
Storage temperature range	-----	-65°C to +150°C
Maximum power dissipation (P_D) 2/	-----	500 mW
Lead temperature (soldering, 10 seconds)	-----	+260°C
Thermal resistance, junction-to-case (θ_{JC}):	-----	
Cases E, F, and 2	-----	See MIL-M-38510, appendix C
Junction temperature (T_J)	-----	+175°C

1/ Unless otherwise specified, all voltages are referenced to ground.

2/ For $T_C = +100^\circ\text{C}$ to $+125^\circ\text{C}$, derate linearly at 12 mW/°C.

STANDARDIZED MILITARY DRAWING DEFENSE ELECTRONICS SUPPLY CENTER DAYTON, OHIO 45444	SIZE A	5962-86823
	REVISION LEVEL B	SHEET 2

1.4 Recommended operating conditions.

Supply voltage range (V_{CC})	-----	+2.0 V dc to +6.0 V dc
Case operating temperature range (T_C)	-----	-55°C to +125°C
Input rise or fall time :		
$V_{CC} = 2.0$ V	-----	0 to 1000 ns
$V_{CC} = 4.5$ V	-----	0 to 500 ns
$V_{CC} = 6.0$ V	-----	0 to 400 ns

2. APPLICABLE DOCUMENTS

2.1 Government specification and standard. Unless otherwise specified, the following specification and standard, of the issue listed in that issue of the Department of Defense Specifications and Standards specified in the solicitation, form a part of this drawing to the extent specified herein.

SPECIFICATION

MILITARY

MIL-M-38510 - Microcircuits, General Specification for.

STANDARD

MILITARY

MIL-STD-883 - Test Methods and Procedures for Microelectronics.

(Copies of the specification and standard required by manufacturers in connection with specific acquisition functions should be obtained from the contracting activity or as directed by the contracting activity.)

2.2 Order of precedence. In the event of a conflict between the text of this drawing and the references cited herein, the text of this drawing shall take precedence.

3. REQUIREMENTS

3.1 Item requirements. The individual item requirements shall be in accordance with 1.2.1 of MIL-STD-883, "Provisions for the use of MIL-STD-883 in conjunction with compliant non-JAN devices" and as specified herein.

3.2 Design, construction, and physical dimensions. The design, construction, and physical dimensions shall be as specified in MIL-M-38510 and herein.

3.2.1 Terminal connections. The terminal connections shall be as specified on figure 1.

3.2.2 Truth table. The truth table shall be as specified on figure 2.

3.2.3 Logic diagram. The logic diagram shall be as specified on figure 3.

3.2.4 Case outlines. The case outlines shall be in accordance with 1.2.2 herein.

3.3 Electrical performance characteristics. Unless otherwise specified, the electrical performance characteristics are as specified in table I and apply over the full case operating temperature range.

3.4 Marking. Marking shall be in accordance with MIL-STD-883 (see 3.1 herein). The part shall be marked with the part number listed in 1.2 herein. In addition, the manufacturer's part number may also be marked as listed in 6.4 herein.

STANDARDIZED MILITARY DRAWING DEFENSE ELECTRONICS SUPPLY CENTER DAYTON, OHIO 45444	SIZE A	5962-86823
	REVISION LEVEL	SHEET 3

TABLE I. Electrical performance characteristics.

Test	Symbol	Conditions -55°C ≤ T _C ≤ +125°C 1/		Group A subgroups	Limits		Unit
					Min	Max	
High level output voltage	V _{OH}	V _{IN} = V _{IH} or V _{IL} I _O ≤ 20 μA	V _{CC} = 2.0 V V _{CC} = 4.5 V V _{CC} = 6.0 V	1, 2, 3	1.9		V
					4.4		
					5.9		
		I _O ≤ 4.0 mA	V _{CC} = 4.5 V		3.7		
		I _O ≤ 5.2 mA	V _{CC} = 6.0 V		5.2		
Low level output voltage	V _{OL}	V _{IN} = V _{IH} or V _{IL} I _O ≤ 20 μA	V _{CC} = 2.0 V V _{CC} = 4.5 V V _{CC} = 6.0 V	1, 2, 3		0.1	V
						0.1	
						0.1	
		I _O ≤ 4.0 mA	V _{CC} = 4.5 V			0.4	
		I _O ≤ 5.2 mA	V _{CC} = 6.0 V			0.4	
High level input voltage	V _{IH}	2/	V _{CC} = 2.0 V V _{CC} = 4.5 V V _{CC} = 6.0 V	1,2,3	1.5 3.15 4.2		V
Low level input voltage	V _{IL}	2/	V _{CC} = 2.0 V V _{CC} = 4.5 V V _{CC} = 6.0 V	1,2,3		0.3 0.9 1.2	V
Input capacitance	C _{IN}	V _{IN} = 0 V; T _C = +25°C see 4.3.1c		4		10	pF
Quiescent current	I _{CC}	V _{CC} = 6.0 V; V _{IN} = V _{CC} or GND		1,2,3		160	μA
Input leakage current	I _{IN}	V _{CC} = 6.0 V; V _{IN} = V _{CC} or GND		1,2,3		±1	μA
Functional tests		See 4.3.1d		7			

See footnotes at end of table.

STANDARDIZED MILITARY DRAWING DEFENSE ELECTRONICS SUPPLY CENTER DAYTON, OHIO 45444	SIZE A	5962-86823
	REVISION LEVEL B	SHEET 4

TABLE 1. Electrical performance characteristics- Continued.

Test	Symbol	Conditions -55°C ≤ T _C ≤ +125°C ^{1/}	Group A subgroups	Limits		Unit
				Min	Max	
Propagation delay, data to output Y <u>3/</u>	t _{PHL} t _{PLH}	T _C = +25°C, C _L = 50 pF ±10% See figure 4	V _{CC} = 2.0 V V _{CC} = 4.5 V V _{CC} = 6.0 V	9	140 28 24	ns
		T _C = -55°C, +125°C C _L = 50 pF ±10% See figure 4	V _{CC} = 2.0 V V _{CC} = 4.5 V V _{CC} = 6.0 V	10,11	210 42 36	ns
Propagation delay, select to output Y <u>3/</u>	t _{PHL} t _{PLH}	T _C = +25°C, C _L = 50 pF ±10% See figure 4	V _{CC} = 2.0 V V _{CC} = 4.5 V V _{CC} = 6.0 V	9	160 32 27	ns
		T _C = -55°C, +125°C C _L = 50 pF ±10% See figure 4	V _{CC} = 2.0 V V _{CC} = 4.5 V V _{CC} = 6.0 V	10,11	240 48 41	ns
Propagation delay, output enable to output Y <u>3/</u>	t _{PHL} t _{PLH}	T _C = +25°C, C _L = 50 pF ±10% See figure 4	V _{CC} = 2.0 V V _{CC} = 4.5 V V _{CC} = 6.0 V	9	160 32 27	ns
		T _C = -55°C, +125°C C _L = 50 pF ±10% See figure 4	V _{CC} = 2.0 V V _{CC} = 4.5 V V _{CC} = 6.0 V	10,11	240 48 41	ns
Transition time <u>4/</u>	t _{TLH} t _{THL}	T _C = +25°C, C _L = 50 pF ±10% See figure 4	V _{CC} = 2.0 V V _{CC} = 4.5 V V _{CC} = 6.0 V	9	75 15 13	ns
		T _C = -55°C, +125°C C _L = 50 pF ±10% See figure 4	V _{CC} = 2.0 V V _{CC} = 4.5 V V _{CC} = 6.0 V	10,11	110 22 19	ns

1/ For a power supply of 5 V ±10 percent the worst case output voltage (V_{OH} and V_{OL}) occur for H_C at 4.5 V. Thus the 4.5 V values should be used when designing with this supply. Worst case V_{IH} and V_{IL} occur at V_{CC} = 5.5 V and 4.5 V respectively. (The V_{IH} value at 5.5 V is 3.85 V). The worst case leakage current (I_{IN}, I_{CC}, and I_{OZ}) occur for CMOS at the higher voltage and so the 6.0 V values should be used. Power dissipation capacitance (CPD), typically 40 pF, determines the no load dynamic power consumption, P_D = CPD V_{CC}² f + I_{CC} V_{CC}, and the no load dynamic current consumption, I_S = CPD V_{CC} f + I_{CC}.

2/ Test not required if applied as a forcing function for V_{OH} or V_{OL}.

3/ AC testing at V_{CC} = 2.0 V and V_{CC} = 6.0 V shall be guaranteed, if not tested, to the specified parameters.

4/ Transition time (t_{TLH}, t_{THL}), if not tested, shall be guaranteed to the specified parameters.

STANDARDIZED MILITARY DRAWING DEFENSE ELECTRONICS SUPPLY CENTER DAYTON, OHIO 45444	SIZE A	5962-86823
	REVISION LEVEL B	SHEET 5

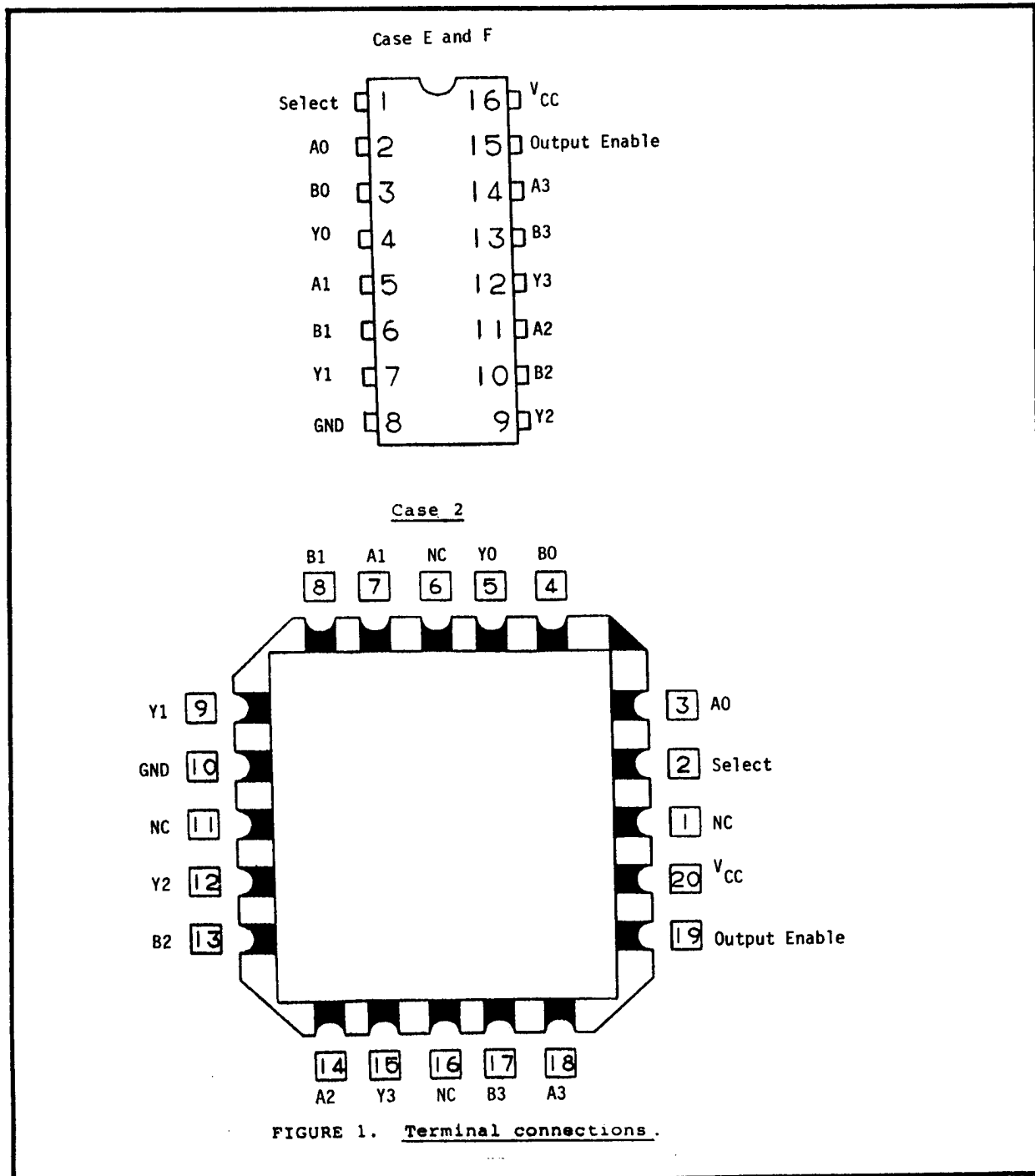


FIGURE 1. Terminal connections.

STANDARDIZED MILITARY DRAWING DEFENSE ELECTRONICS SUPPLY CENTER DAYTON, OHIO 45444	SIZE A	5962-86823
	REVISION LEVEL B	SHEET 6

DESC FORM 193A
SEP 87

☆ U.S. GOVERNMENT PRINTING OFFICE: 1987 - 748-129-60913

Output enable	Select	Data inputs		Outputs Y
		A	B	
H	X	X	X	H
L	L	L	X	H
L	L	H	X	L
L	H	X	L	H
L	H	X	H	L

FIGURE 2. Truth table.

STANDARDIZED MILITARY DRAWING DEFENSE ELECTRONICS SUPPLY CENTER DAYTON, OHIO 45444	SIZE A		5962-86823
		REVISION LEVEL	SHEET 7

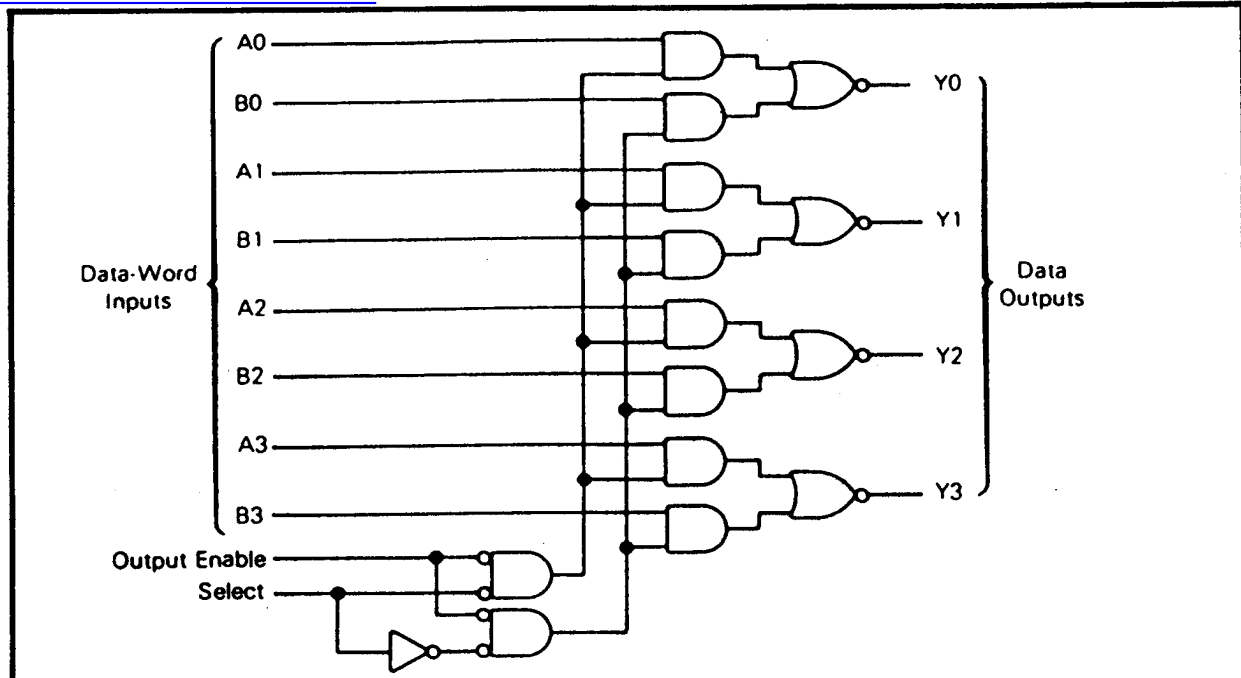


FIGURE 3. Logic diagram.

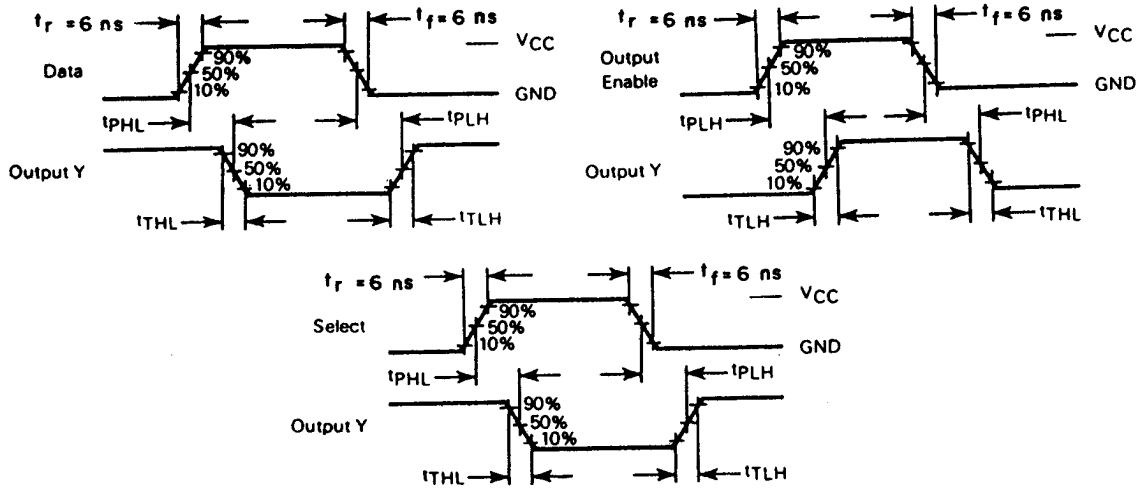


FIGURE 4. Switching waveforms.

STANDARDIZED MILITARY DRAWING DEFENSE ELECTRONICS SUPPLY CENTER DAYTON, OHIO 45444	SIZE A	5962-86823
	REVISION LEVEL	SHEET 8

DESC FORM 193A
SEP 87

☆ U.S. GOVERNMENT PRINTING OFFICE: 1987 748-129-60913

3.5 Certificate of compliance. A certificate of compliance shall be required from a manufacturer in order to be listed as an approved source of supply in 6.4. The certificate of compliance submitted to DESC-ECS prior to listing as an approved source of supply shall state that the manufacturer's product meets the requirements of MIL-STD-883 (see 3.1 herein) and the requirements herein.

3.6 Certificate of conformance. A certificate of conformance as required in MIL-STD-883 (see 3.1 herein) shall be provided with each lot of microcircuits delivered to this drawing.

3.7 Notification of change. Notification of change to DESC-ECS shall be required in accordance with MIL-STD-883 (see 3.1 herein).

3.8 Verification and review. DESC, DESC's agent, and the acquiring activity retain the option to review the manufacturer's facility and applicable required documentation. Offshore documentation shall be made available onshore at the option of the reviewer.

4. QUALITY ASSURANCE PROVISIONS

4.1 Sampling and inspection. Sampling and inspection procedures shall be in accordance with section 4 of MIL-M-38510 to the extent specified in MIL-STD-883 (see 3.1 herein).

4.2 Screening. Screening shall be in accordance with method 5004 of MIL-STD-883, and shall be conducted on all devices prior to quality conformance inspection. The following additional criteria shall apply:

- a. Burn-in test method 1015 of MIL-STD-883.
 - (1) Test condition A, B, C or D using the circuit submitted with the certificate of compliance (see 3.5 herein).
 - (2) $T_A = +125^\circ\text{C}$, minimum.
- b. Interim and final electrical test parameters shall be as specified in table II herein, except interim electrical parameter tests prior to burn-in are optional at the discretion of the manufacturer.

4.3 Quality conformance inspection. Quality conformance inspection shall be in accordance with method 5005 of MIL-STD-883 including groups A, B, C, and D inspections. The following additional criteria shall apply.

4.3.1 Group A inspection.

- a. Tests shall be as specified in table II herein.
- b. Subgroups 5, 6, and 8 in table I, method 5005 of MIL-STD-883 shall be omitted.
- c. Subgroup 4 (C_{IN} measurement) shall be measured only for the initial test and after process or design changes which may affect input capacitance. Test all applicable pins on 5 devices with no failures.
- d. Subgroup 7 tests sufficient to verify truth table.

4.3.2 Groups C and D inspections.

- a. End-point electrical parameters shall be as specified in table II herein.

STANDARDIZED MILITARY DRAWING DEFENSE ELECTRONICS SUPPLY CENTER DAYTON, OHIO 45444	SIZE A	5962-86823
		REVISION LEVEL B

b. Steady-state life test conditions, method 1005 of MIL-STD-883.

- (1) Test condition A, B, C or D using the circuit submitted with the certificate of compliance (see 3.5 herein).
- (2) $T_A = +125^\circ\text{C}$, minimum.
- (3) Test duration: 1,000 hours, except as permitted by method 1005 of MIL-STD-883.

TABLE II. Electrical test requirements.

MIL-STD-883 test requirements	Subgroups (per method 5005, table I)
Interim electrical parameters (method 5004)	---
Final electrical test parameters (method 5004)	1*,2,3,9
Group A test requirements (method 5005)	1,2,3,7,9,10**,11**
Groups C and D end-point electrical parameters (method 5005)	1,2,3

*PDA applies to subgroup 1.
 **Subgroups 10 and 11, if not tested, shall be guaranteed to the specified limits in table I.

5. PACKAGING

5.1 Packaging requirements. The requirements for packaging shall be in accordance with MIL-M-38510.

6. NOTES

6.1 Intended use. Microcircuits conforming to this drawing are intended for use when military specifications do not exist and qualified military devices that will perform the required function are not available for OEM application. When a military specification exists and the product covered by this drawing has been qualified for listing on QPL-38510, the device specified herein will be inactivated and will not be used for new design. The QPL-38510 product shall be the preferred item for all applications.

6.2 Replaceability. Replaceability is determined as follows:

- a. Microcircuits covered by this drawing will replace the same generic device covered by a contractor-prepared specification or drawing.
- b. When a QPL source is established, the part numbered device specified in this drawing will be replaced by the microcircuit identified as part number M38510/66204--.

STANDARDIZED MILITARY DRAWING DEFENSE ELECTRONICS SUPPLY CENTER DAYTON, OHIO 45444	SIZE A	5962-86823
	REVISION LEVEL B	SHEET 10

查询"5962-86823012X"供应商

6.3 Comments. Comments on this drawing should be directed to DESC-ECS, Dayton, Ohio 45444, or telephone 513-296-5375.

6.4 Approved sources of supply. Approved sources of supply are listed herein. Additional sources will be added as they become available. The vendors listed herein have agreed to this drawing and a certificate of compliance (see 3.5 herein) has been submitted to DESC-ECS.

Military drawing part number	Vendor CAGE number	Vendor similar part number <u>1/</u>	Replacement military specification part number
5962-8682301EX	01295	SNJ54HC158J	M38510/66204BEX
	04713	54HC158/BEAJC	
	18324	54HC158A/BEA	
	18714	CD54HC158F/3A	
	27014	MM54HC158J/883	
5962-8682301FX	18324	54HC158A/BFA	M38510/66204BFX
5962-86823012X	01295	SN54HC158FK	M38510/66204B2X
	04713	54HC158M/B2AJC	
	18324	54HC158A/B2A	
	18714	54HC158A/B2A	
	27014	MM54HC158E/883	

1/ Caution. Do not use this number for item acquisition. Items acquired to this number may not satisfy the performance requirements of this drawing.

Vendor CAGE number	Vendor name and address
01295	Texas Instruments, Inc P.O. Box 6448 Midland, Tx 79701
04713	Motorola, Inc. 7402 South Price Road Tempe, AZ 85283
18324	Signetics Corporation 4130 South Market Court Sacramento, CA 95834
18714	GE/RCA Corporation Solid State Division Route 202 Somerville, NJ 08876
27014	National Semiconductor Corp. 2900 Semiconductor Dr. Santa Clara CA 95051

STANDARDIZED MILITARY DRAWING DEFENSE ELECTRONICS SUPPLY CENTER DAYTON, OHIO 45444	SIZE A	5962-86823
	REVISION LEVEL B	SHEET 11