

LM5035 Evaluation Board

[查询LM5035供应商](#)

National Semiconductor
Application Note 1435
Steve Schulte
January 2006



LM5035 Evaluation Board

Introduction

The LM5035 evaluation board is designed to provide the design engineer with a fully functional power converter based on the Half Bridge topology to evaluate the LM5035 controller. The evaluation board is provided in an industry standard quarter-brick footprint.

The performance of the evaluation board is as follows:

- Input operating range: 36V to 75V
- Output voltage: 3.3V
- Output current: 0 to 30A
- Measured efficiency: 89% at 30A, 92% at 15A
- Frequency of operation: 400kHz
- Board size: 2.28 x 1.45 x 0.5 inches
- Load Regulation: 0.2%
- Line Regulation: 0.1%
- Line UVLO (33.9V/31.9V on/off)
- Line OVP (79.4V/78.3V off/on)
- Hiccup current limit

The printed circuit board consists of 6 layers; 2 ounce copper outer layers and 3 ounce copper inner layers on FR4 material with a total thickness of 0.062 inches. The unit is designed for continuous operation at rated load at 40°C and a minimum airflow of 200 CFM.

Theory of Operation

Power converters based on the Half Bridge topology offer high efficiency and good power handling capability in applications up to 500 Watts. The operation of the transformer causes the flux to swing in both directions, thereby better utilizing the magnetic core.

The Half Bridge converter is derived from the Buck topology family, employing separate high voltage (HO) and low voltage (LO) modulating power switches with independent pulse width timing. The main difference between the topologies are, the Half Bridge topology employs a transformer to provide input / output ground isolation and a step down or step up function.

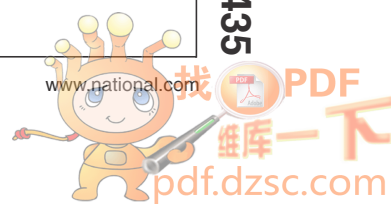
Each cycle, the main primary switch turns on and applies one-half the input voltage across the primary winding, which has 8 turns. The transformer secondary has 2 turns, leading to a 4:1 step-down of the input voltage. For an output voltage of 3.3V the composite duty cycle (D) of the primary switches varies from approximately 75% (low line) to 35% (high line).

The secondary employs synchronous rectification controlled by the LM5035. During soft-start, the sync FET body diodes act as the secondary rectifiers until the main transformer energizes the gate drivers. The DLY resistor programs the non-overlap timing for the sync FETs to maximize efficiency while eliminating shoot through current.

Feedback from the output is processed by an amplifier and reference, generating an error voltage, which is coupled back to the primary side control through an optocoupler. The COMP input to the LM5035 greatly increases the achievable loop bandwidth. The capacitance effect (and associated pole) of the optocoupler is reduced by holding the voltage across the optocoupler constant. The LM5035 voltage mode controller pulse width modulates the error signal with a ramp signal derived from the line voltage (feedforwarding) to reduce the response time to input voltage changes. A standard "type III" network is used for the compensator.

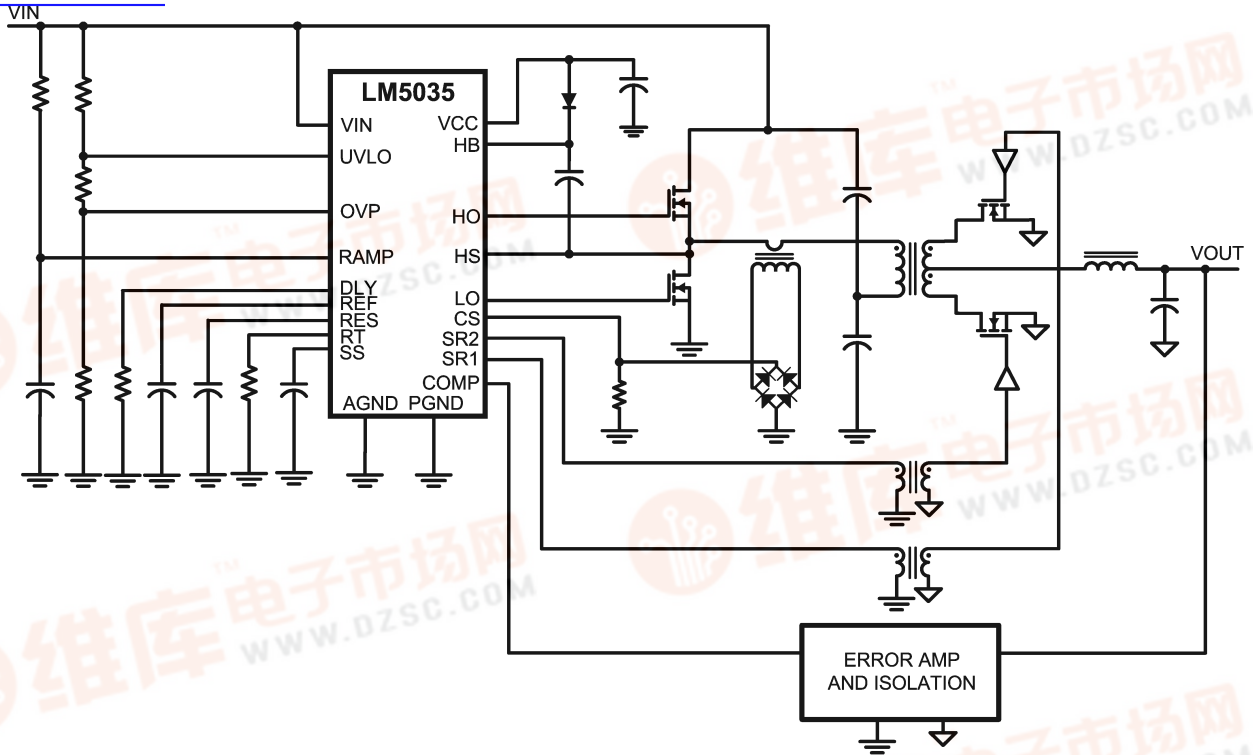
The evaluation board can be synchronized to an external clock with a recommended frequency range of 420KHz to 500KHz.

AN-1435



Theory of Operation (Continued)

LM5035 供应商



Simplified Half Bridge Converter

20177301

Powering and Loading Considerations

When applying power to the LM5035 evaluation board certain precautions need to be followed. A misconnection can damage the assembly.

Proper Connections

When operated at low input voltages the evaluation board can draw up to 3.5A of current at full load. The maximum rated output current is 30A. Be sure to choose the correct connector and wire size when attaching the source supply and the load. Monitor the current into and out of the evaluation board. Monitor the voltage directly at the output terminals of the evaluation board. The voltage drop across the load connecting wires will cause inaccurate measurements. This is especially true for accurate efficiency measurements.

Source Power

The evaluation board can be viewed as a constant power load. At low input line voltage (36V) the input current can reach 3.5A, while at high input line voltage (75V) the input current will be approximately 1.5A. Therefore, to fully test the LM5035 evaluation board a DC power supply capable of at least 85V and 5A is required.

The power supply must have adjustments for both voltage and current. The power supply and cabling must present low impedance to the evaluation board. Insufficient cabling or a high impedance power supply will cause voltage droop during turn-on due to the evaluation board inrush current. If large enough, this droop will cause a chattering condition

upon power up. This chattering condition is an interaction with the evaluation board undervoltage lockout, the cabling impedance and the inrush current.

Loading

An appropriate electronic load, with specified operation down to 1.0V minimum, is desirable. The resistance of a maximum load is 0.11Ω. The high output current requires thick cables! If resistor banks are used there are certain precautions to be taken. The wattage and current ratings must be adequate for a 30A, 100W supply. Monitor both current and voltage at all times. Ensure there is sufficient cooling provided for the load.

Air Flow

Full power loading should never be attempted without providing the specified 200 CFM of air flow over the evaluation board. A stand-alone fan should be provided.

Powering Up

Using the ON/OFF pin (J2) provided will allow powering up the source supply with the current level set low. It is suggested that the load be kept low during the first power up. Set the current limit of the source supply to provide about 1.5 times the wattage of the load. As you remove the connection from the ON/OFF pin to ground (J1), immediately check for 3.3 volts at the output.

A most common occurrence, that will prove unnerving, is when the current limit set on the source supply is insufficient for the load. The result is similar to having the high source



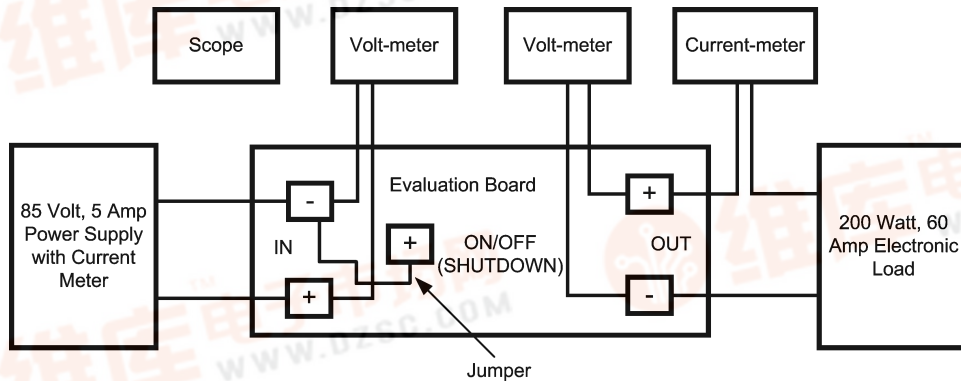
Powering Up (Continued)

impedance referred to earlier. The interaction of the source supply folding back and the evaluation board going into undervoltage shutdown will start an oscillation, or chatter, that may have undesirable consequences.

A quick efficiency check is the best way to confirm that everything is operating properly. If something is amiss you can be reasonably sure that it will affect the efficiency adversely. Few parameters can be incorrect in a switching power supply without creating losses and potentially damaging heat.

Over Current Protection

The evaluation board is configured with hiccup over-current protection. In the event of an output overload (approximately 35A) the unit will discharge the softstart capacitor, which disables the power stage. After a delay the softstart is released. The shutdown, delay and slow recharge time of the softstart capacitor protects the unit, especially during short circuit event where the stress is highest.



Typical Evaluation Setup

20177302

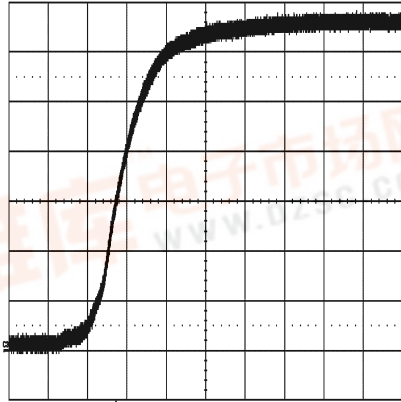
Performance Characteristics

TURN-ON WAVEFORMS

When applying power to the LM5035 evaluation board a certain sequence of events occurs. Soft-start capacitor values and other components allow for a minimal output voltage for a short time until the feedback loop can stabilize without overshoot. Figure 1 shows the output voltage during a typical start-up with a 48V input and a load of 5A. There is no overshoot during startup.

OUTPUT RIPPLE WAVEFORMS

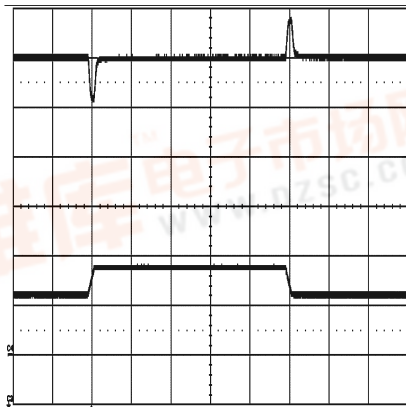
Figure 2 shows the transient response for a load change from 15A to 22.5A. The upper trace shows minimal output voltage droop and overshoot during the sudden change in output current shown by the lower trace.



20177304

Conditions: Input Voltage = 48VDC
Output Current = 5A
Trace 1: Output Voltage Volts/div = 500mV
Horizontal Resolution = 0.5ms/div

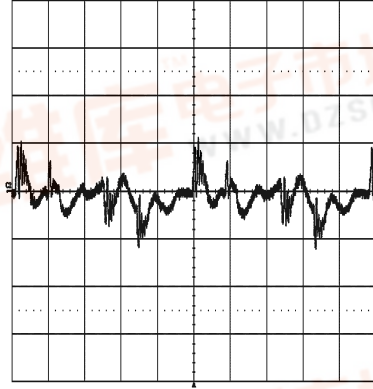
FIGURE 1.



20177305

Conditions: Input Voltage = 48VDC
Output Current = 15A to 22.5A
Upper Trace: Output Voltage Volts/div = 50mV
Lower Trace: Output Current = 15A to 22.5A to 15A
Horizontal Resolution = 0.5ms/div

FIGURE 2.



20177306

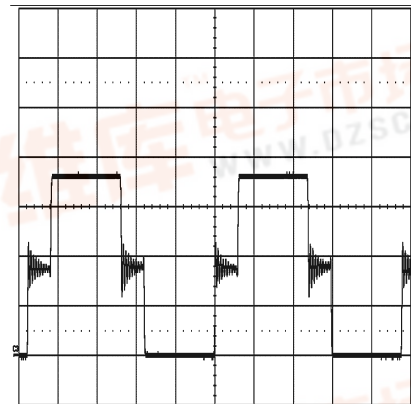
Conditions: Input Voltage = 48VDC
Output Current = 30A
Bandwidth Limit = 20MHz
Trace 1: Output Ripple Voltage Volts/div = 20mV
Horizontal Resolution = 1μs/div

FIGURE 3.

Figure 3 shows typical output ripple seen across the output terminals (with standard 10μF and 1μF ceramic capacitors) for an input voltage of 48V and a load of 30A. This waveform is typical of most loads and input voltages.

Figures 4 and 5 show the drain voltage of Q1 with a 5A load. Figure 4 represents an input voltage of 36V and Figure 5 represents an input voltage of 72V.

Figure 6 shows the gate voltages of the synchronous rectifiers. The deadtime provided by the 20kΩ DLY resistor is difficult to see at this timescale.



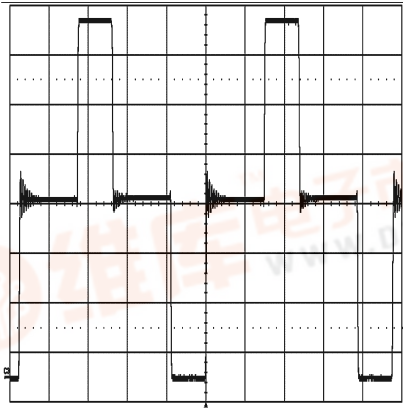
20177307

Conditions: Input Voltage = 36VDC
Output Current = 5A
Trace 1: Q1 drain voltage Volts/div = 10V
Horizontal Resolution = 1μs/div

FIGURE 4.

Performance Characteristics

(Continued)
[查询M5035供应商](#)



20177308

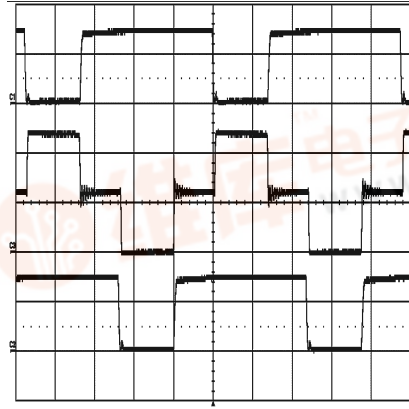
Conditions: Input Voltage = 72VDC

Output Current = 5A

Trace 1: Q2 drain voltage Volts/div = 10V

Horizontal Resolution = 1 μ s/div

FIGURE 5.



20177309

Conditions: Input Voltage = 48VDC

Output Current = 5A

Upper Trace: SR1, Q4 gate Volts/div = 5V

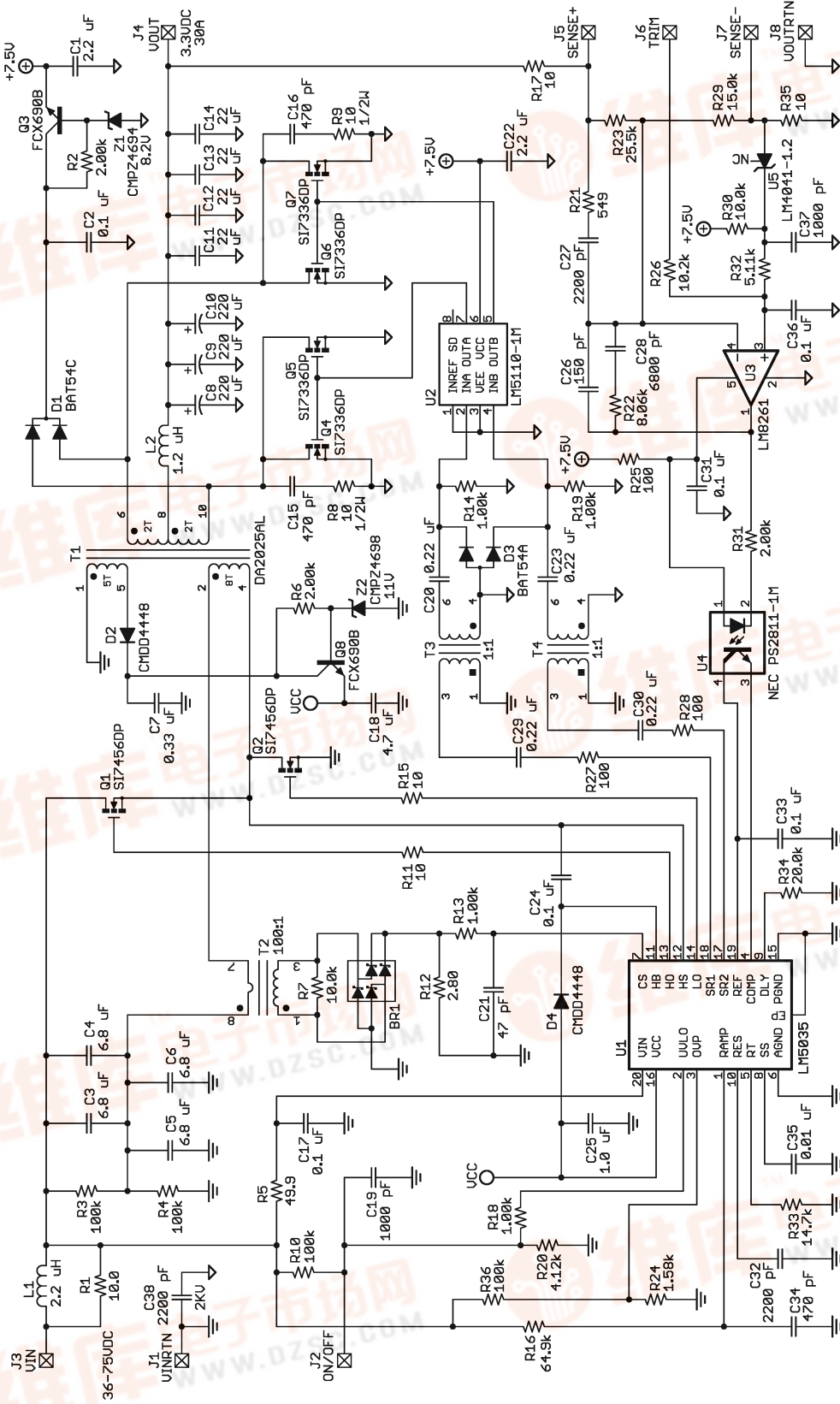
Middle Trace: HS, Q2 drain Volts/div = 20V

Lower Trace: SR2, Q6 gate Volts/div = 5V

Horizontal Resolution = 1 μ s/div

FIGURE 6.

Application Circuit



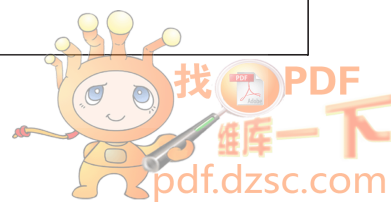
20177318

Application Circuit: Input 36 to 75V, Output 3.3V, 30A



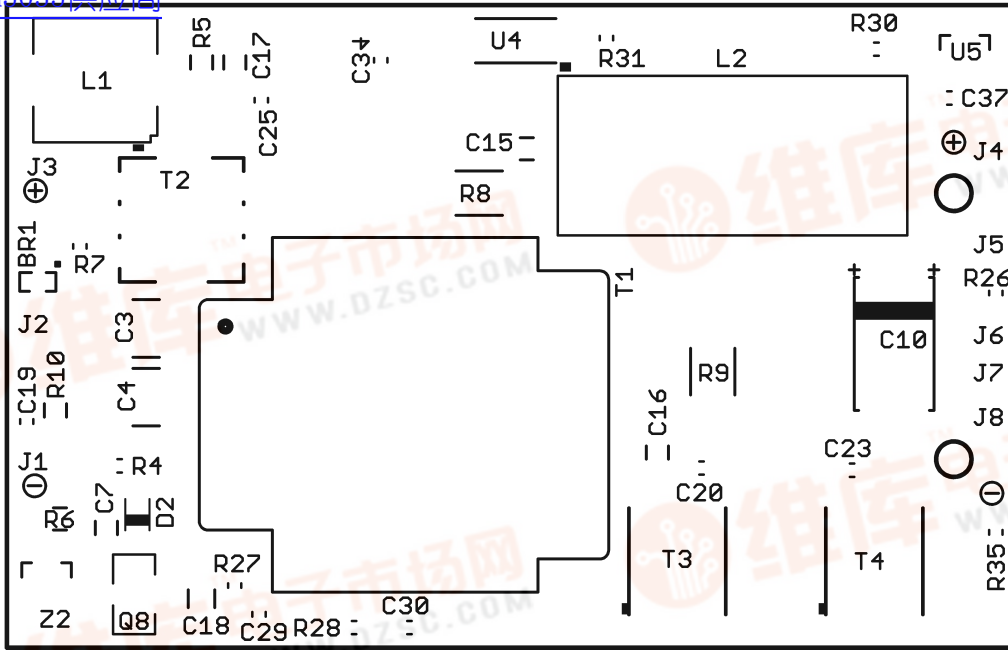
DESIGNATOR	QTY	PART NUMBER	DESCRIPTION	VALUE
查询LM5035供应商		BAT54BRW	RECTIFIER, BRIDGE, DIODES INC	30V
C1,22	2	C2012X7R1C225K	CAPACITOR, 0805 X7R CER, TDK	2.2μ, 16V
C2,31,33,36	4	C1608X7R1H104K	CAPACITOR, 0603 X7R CER, TDK	0.1μ, 50V
C3 - 6	4	C4532X7R1H685M	CAPACITOR, 1812 X7R CER, TDK	6.8μ, 50V
C7	1	C2012X7R1H334K	CAPACITOR, 0805 X7R CER, TDK	0.33μ, 50V
C8 - 10	3	6TPE220MI	CAPACITOR, POSCAP, SANYO	220μ, 6.3V
C11 - 14	4	C3216X5R0J226M	CAPACITOR, 1206 X5R CER, TDK	22μ, 6.3V
C15, 16	2	C0805C471M5RAC	CAPACITOR, 0805 COG CER, KEMET	470p, 50V
C17, 24	2	C2012X7R2A104K	CAPACITOR, 0805 X7R CER, TDK	0.1μ, 100V
C18	1	C3216X7R1C475K	CAPACITOR, 1206 X7R CER, TDK	4.7μ, 16V
C19,37	2	C1608X7R1H102K	CAPACITOR, 0603 X7R CER, TDK	1000p, 50V
C20,23,29,30	4	C1608X7R1E224K	CAPACITOR, 0603 X7R CER, TDK	0.22μ, 25V
C21	1	C1608C0G1H470J	CAPACITOR, 0603 X7R CER, TDK	47p, 50V
C25	1	C1608X7R1C105K	CAPACITOR, 0603 X7R CER, TDK	1.0μ, 16V
C26	1	C1608C0G1H151J	CAPACITOR, 0603 COG CER, TDK	150p, 50V
C27,32	2	C1608C0G1H222J	CAPACITOR, 0603 COG CER, TDK	2200p, 50V
C28	1	C1608C0G 1H682J	CAPACITOR, 0603 COG CER, TDK	6800p, 50V
C35	1	C1608C0G 1E103J	CAPACITOR, 0603 COG CER, TDK	0.01μ, 25V
C34	1	C1608C0G1H471J	CAPACITOR, 0603 COG CER, TDK	470p, 50V
C38	1	C4532X7R3D222K	CAPACITOR, 1812 X7R CER, TDK	2200p, 2000V
D1	1	BAT54C	DIODE, SOT-23 SCHOTTKY, VISHAY	200mA, 30V
D2,4	2	CMDD4448	DIODE, SOD-323, CENTRAL SEMI	250mA, 75V
D3	1	BAT54A	DIODE, SOT-23 SCHOTTKY, VISHAY	200mA, 30V
L1	1	RLF7030T-2R2M5R4	INDUCTOR, TDK	2.2μH, 5.4A
L2	1	SER2010-122MX	INDUCTOR, COILCRAFT	1.2μH, 37A
Q1,2	2	SI7456DP	N-FET, SILICONIX	100V, 25mΩ
Q3,8	2	FCX690B	NPN, ZETEX	45V, 2A
Q4 - 7	4	SI7336ADP	N-FET, SILICONIX	30V, 3mΩ
R1,11,15	3	CRCW080510R0F	RESISTOR, 0805, VISHAY	10
R7,30	2	CRCW06031002F	RESISTOR, 0603, VISHAY	10kΩ
R2	1	CRCW08052001F	RESISTOR, 0805, VISHAY	2.00kΩ
R3,4	2	CRCW06031003F	RESISTOR, 0603, VISHAY	100kΩ
R5	1	CRCW080549R9F	RESISTOR, 0805, VISHAY	49.9Ω
R6	1	CRCW08051002F	RESISTOR, 0805, VISHAY	10kΩ
R8,9	2	CRCW201010R0F	RESISTOR, 2010, VISHAY	10Ω
R10,36	2	CRCW08051003F	RESISTOR, 0805, VISHAY	100kΩ
R16	1	CRCW08056492F	RESISTOR, 0805, VISHAY	64.9kΩ
R12	1	CRCW06032R80F	RESISTOR, 0603, VISHAY	2.8Ω
R13,14,18,19	4	CRCW06031001F	RESISTOR, 0603, VISHAY	1kΩ
R17,35	2	CRCW060310R0F	RESISTOR, 0603, VISHAY	10Ω
R20	1	CRCW06034121F	RESISTOR, 0603, VISHAY	4.12kΩ
R21	1	CRCW06035490F	RESISTOR, 0603, VISHAY	549Ω
R22	1	CRCW06038061F	RESISTOR, 0603, VISHAY	8.06kΩ
R23	1	CRCW06032552F	RESISTOR, 0603, VISHAY	25.5kΩ
R24	1	CRCW06031581F	RESISTOR, 0603, VISHAY	1.58kΩ
R25,27,28	3	CRCW06031000F	RESISTOR, 0603, VISHAY	100Ω
R26	1	CRCW06031022F	RESISTOR, 0603, VISHAY	10.2kΩ
R29	1	CRCW06031502F	RESISTOR, 0603, VISHAY	15kΩ
R31	1	CRCW06032001F	RESISTOR, 0603, VISHAY	2.00kΩ
R32	1	CRCW06035111F	RESISTOR, 0603, VISHAY	5.11kΩ

DESIGNATOR	QTY	PART NUMBER	DESCRIPTION	VALUE
R33	1	CRCW06031472F	RESISTOR, 0603, VISHAY	14.7kΩ
R34	1	CRCW06032002F	RESISTOR, 0603, VISHAY	20kΩ
T1	1	DA2025-AL	POWER XFR, COILCRAFT	8:5:2:2
T2	1	P8208	CURRENT XFR, PULSE ENG	100:1, 10A
T3,4	2	SM76924	GATE XFR, DATATRONIC	1:1
U1	1	LM5035MH	CONTROLLER, NATIONAL SEMI	
U2	1	LM5110-1M	DRIVER, DUAL, NATIONAL SEMI	
U3	1	LM8261M5	OPAMP, SOT23-5, NATIONAL SEMI	
U4	1	PS2811-1M	OPTO-COUPLER, NEC	
U5	1	LM4041AIM3-1.2	REFERENCE, SOT23, NATIONAL SEMI	1.225V
Z1	1	CMPZ4694	ZENER, SOT23, CENTRAL SEMI	8.2V, 5%
Z2	1	CMPZ4698	ZENER, SOT23, CENTRAL SEMI	11V, 5%
J1,2,3,5,6,7	6	3104-2-00-01-00-00-08-0	0.040" PIN, MILL-MAX	
J4,8	2	3231-2-00-01-00-00-08-0	0.080" PIN, MILL-MAX	



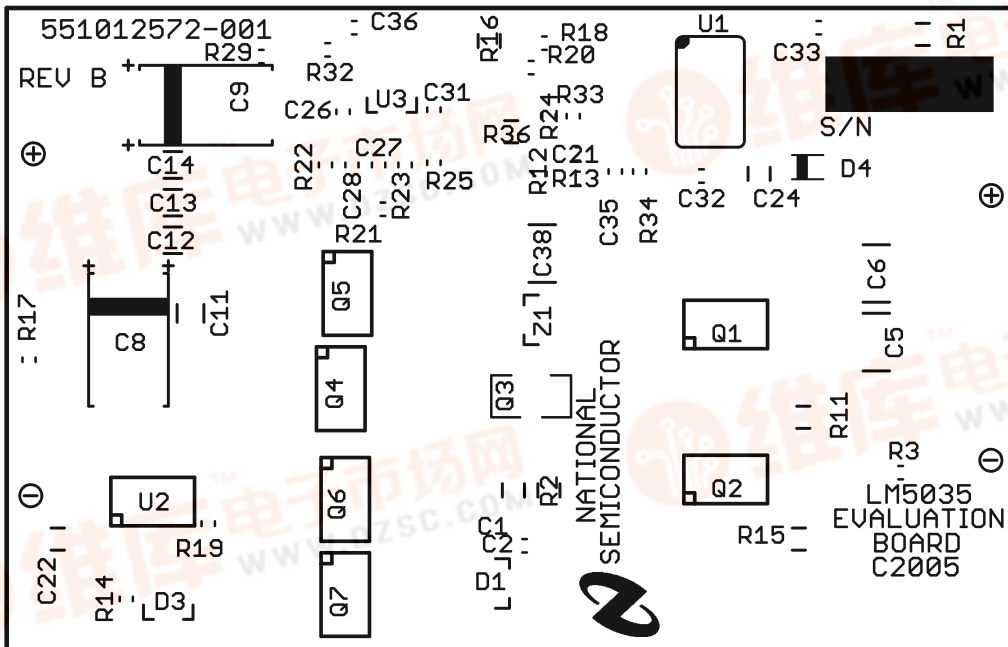
PCB Layouts

[查询LM5035供应商](#)



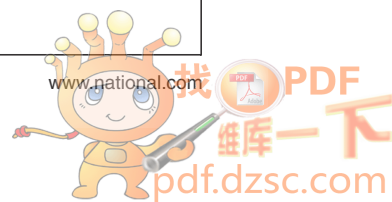
Top Side

20177310



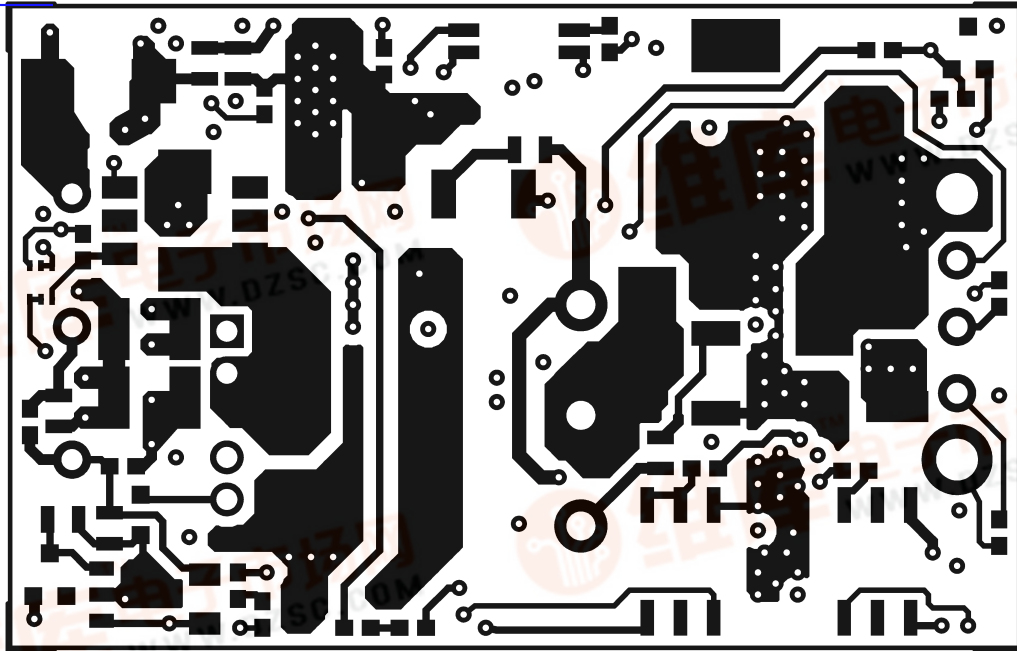
Bottom Side

20177311



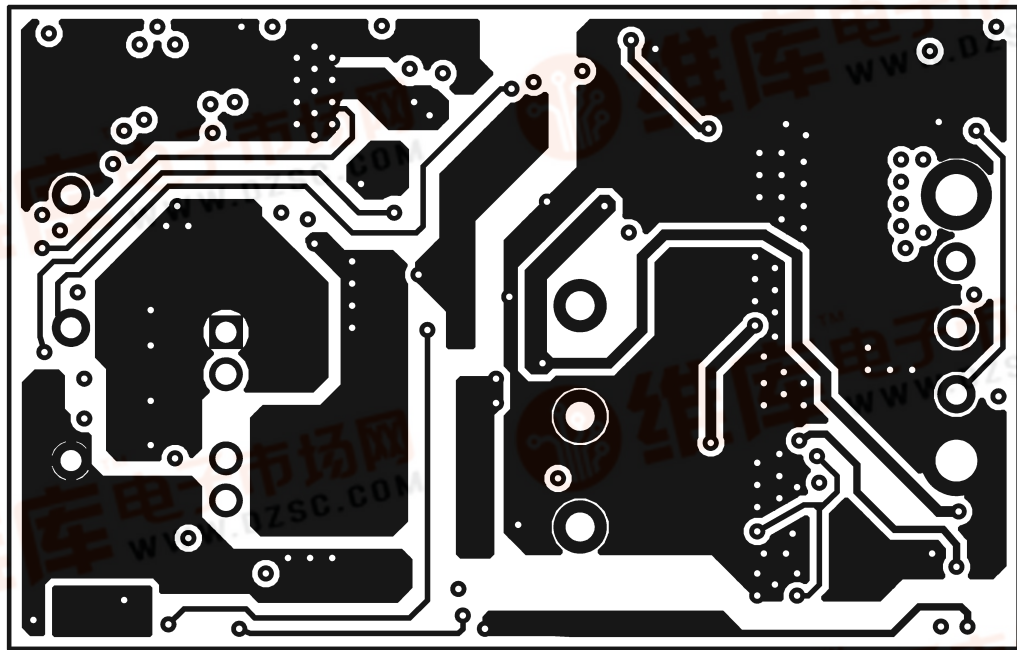
PCB Layouts (Continued)

[查询LM5035供应商](#)



20177312

Layer 1



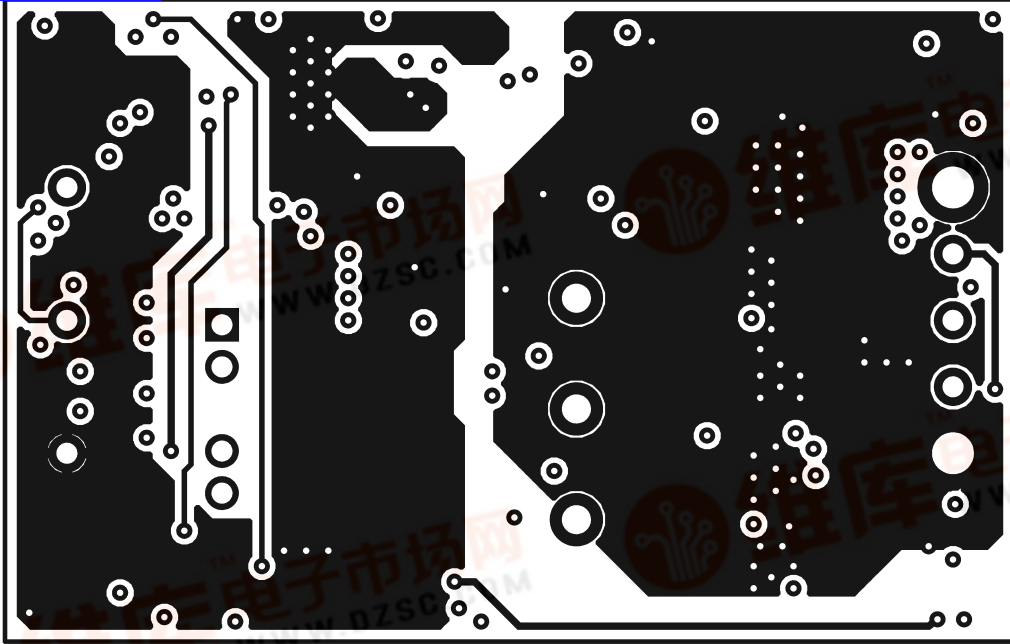
20177313

Layer 2



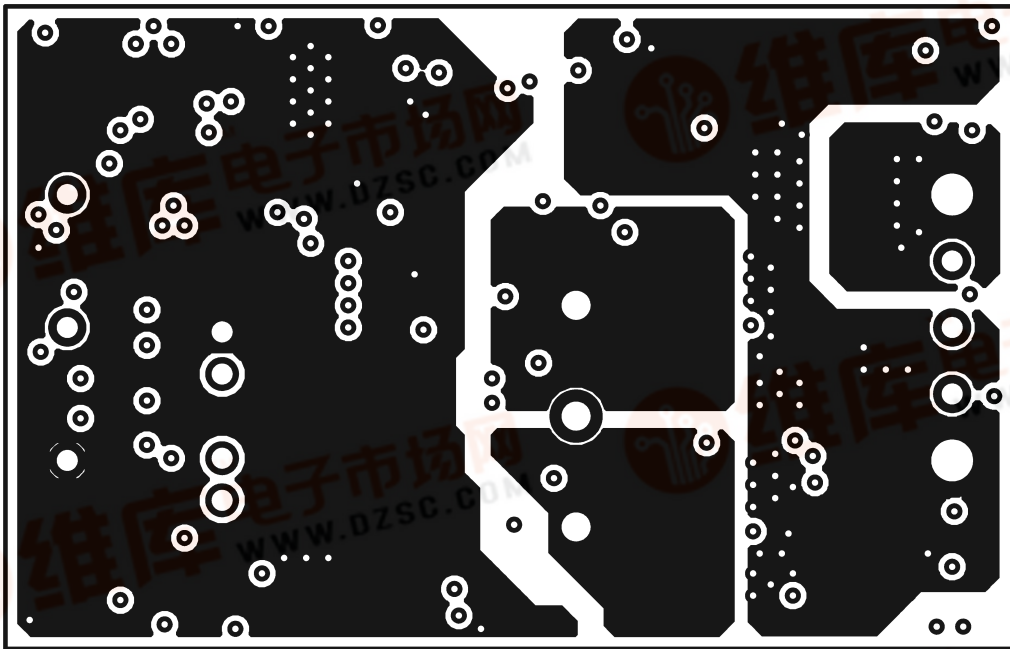
PCB Layouts (Continued)

[查询LM5035供应商](#)



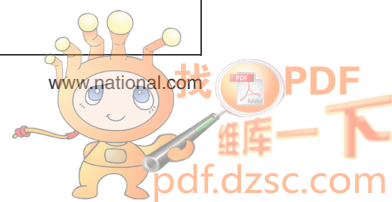
Layer 3

20177314



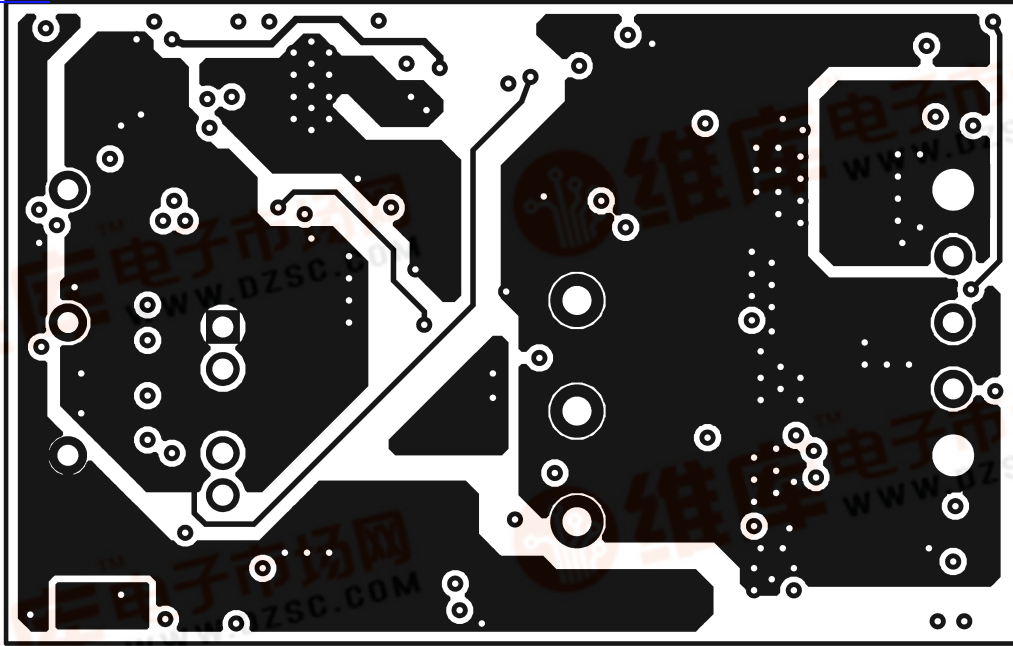
Layer 4

20177315



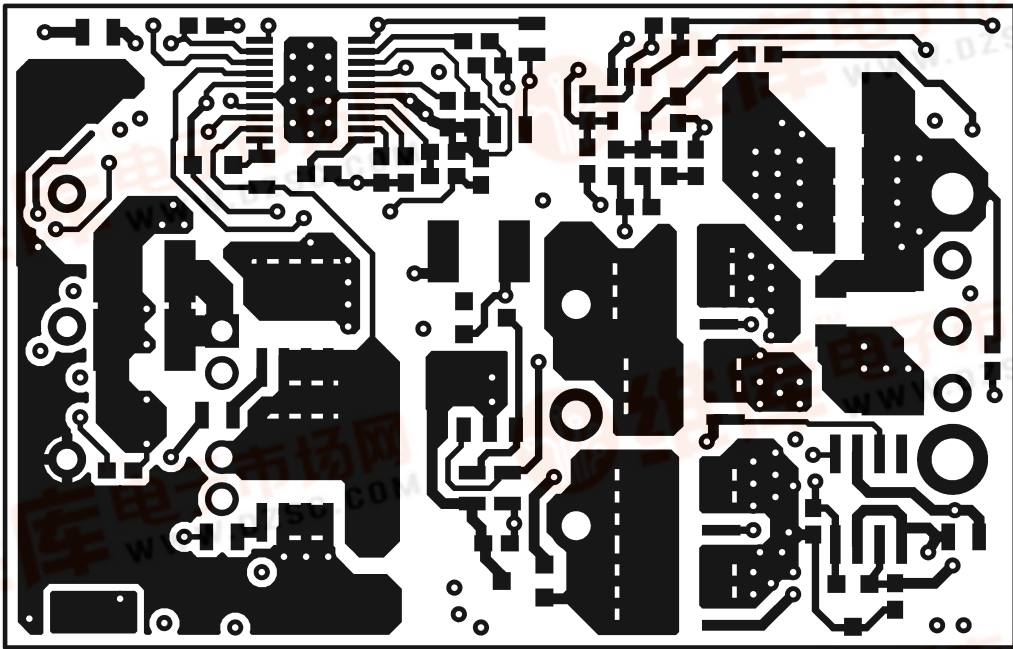
PCB Layouts (Continued)

咨询LM5035供应商



20177316

Layer 5



20177317

Layer 6



Notes

[查询LM5035供应商](#)

National does not assume any responsibility for use of any circuitry described, no circuit patent licenses are implied and National reserves the right at any time without notice to change said circuitry and specifications.

For the most current product information visit us at www.national.com.

LIFE SUPPORT POLICY

NATIONAL'S PRODUCTS ARE NOT AUTHORIZED FOR USE AS CRITICAL COMPONENTS IN LIFE SUPPORT DEVICES OR SYSTEMS WITHOUT THE EXPRESS WRITTEN APPROVAL OF THE PRESIDENT AND GENERAL COUNSEL OF NATIONAL SEMICONDUCTOR CORPORATION. As used herein:

1. Life support devices or systems are devices or systems which, (a) are intended for surgical implant into the body, or (b) support or sustain life, and whose failure to perform when properly used in accordance with instructions for use provided in the labeling, can be reasonably expected to result in a significant injury to the user.
2. A critical component is any component of a life support device or system whose failure to perform can be reasonably expected to cause the failure of the life support device or system, or to affect its safety or effectiveness.

BANNED SUBSTANCE COMPLIANCE

National Semiconductor manufactures products and uses packing materials that meet the provisions of the Customer Products Stewardship Specification (CSP-9-111C2) and the Banned Substances and Materials of Interest Specification (CSP-9-111S2) and contain no "Banned Substances" as defined in CSP-9-111S2.

Leadfree products are RoHS compliant.



National Semiconductor
Americas Customer
Support Center
Email: new.feedback@nsc.com
Tel: 1-800-272-9959

www.national.com

National Semiconductor
Europe Customer Support Center
Fax: +49 (0) 180-530 85 86
Email: europe.support@nsc.com
Deutsch Tel: +49 (0) 69 9508 6208
English Tel: +44 (0) 870 24 0 2171
Français Tel: +33 (0) 1 41 91 8790

National Semiconductor
Asia Pacific Customer
Support Center
Email: ap.support@nsc.com

National Semiconductor
Japan Customer Support Center
Fax: 81-3-5639-7507
Email: jpn.feedback@nsc.com
Tel: 81-3-5639-7560

