

LM5073 Evaluation Board

[查询LM5073供应商](#)

National Semiconductor
Application Note 1574
Youhao Xi
March 2007



LM5073 Evaluation Board

Introduction

The LM5073 evaluation board is designed as a low cost solution for both IEEE802.3af fully compliant and non-compliant Power over Ethernet (PoE) PD applications. The board also supports PD operation with auxiliary power sources like AC wall adaptors, solar cells, etc. The maximum intake power of the PD interface can be programmed up to 25W. In order to facilitate an overall PD evaluation, the board also includes integrated Ethernet RX and TX magnetics, an RJ45 interface to user's PHY circuit, and an LM5576 buck regulator. The board can be conveniently reconfigured with built-in jumpers to realize an optimal solution for a particular application.

For detailed information on the LM5073 and LM5576, refer to the datasheets (url: www.national.com/DS/LM5073 and www.national.com/DS/LM5576).

Features of the Evaluation Board

- IEEE 802.3af fully compliant
- Programmable maximum input dc current through PD interface: 800mA
- Input voltage ranges:
 - PoE input voltage range at startup: 40 to 57V
 - PoE input voltage range with normal operation: 33 to 57V
 - Front Aux voltage range: 20 to 57V
 - Rear Aux input voltage range: 10 to 57V
- Flexible selection of external DC-DC converter for optimal solution
- On board DC-DC converter:
 - Output voltage: 3.3V
 - Maximum output current: 3.0A
 - Switching frequency: 150kHz
- Easily reconfigurable for different applications
- Complete PD interface including Ethernet magnetics and RJ45 connector interface to PHY
- Two layer PCB with single side component placement

Precautions

Before powering up the evaluation board, please carefully read this article. As seen below, the evaluation board is easily reconfigurable to realize optimal solutions for various applications, while the factory original configuration of the board is Configuration 1.

An Important Note About the Maximum Power Capability and Cable Usage

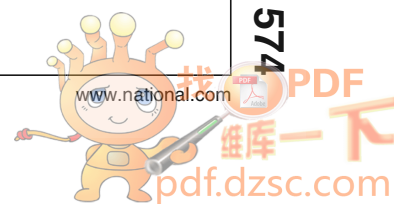
The LM5073 PD interface supports a maximum intake power of 25W. The user must make sure that the Power Sourcing Equipment (PSE) in use can provide at least 30W.

Important: Please note that the CAT-5 cable may not support the maximum power over two pairs of twisted wires under strict safety considerations. Users shall select the proper cable wires to support the design power level without compromising the applicable safety standards. Using an improper cable at such power levels may violate various safety regulations and may cause damage.

A Note About PoE Input Potentials

PoE applications are typically -48V systems, in which the notations GND and -48V normally refer to the high and low input potentials, respectively. However, for easy readability, the LM5072 datasheet was written in the positive voltage convention with positive input potentials referenced to the VEE pin of the LM5073. Therefore, when testing the evaluation board with a bench power supply, the negative terminal of the power supply is equivalent to the PoE system's -48V potential, and the positive terminal is equivalent to the PoE system ground. To prevent confusion between the datasheet and this application note, the same positive voltage convention is used.

AN-1574



Connection and Custom Configurations

查询LM5073供应商

This section contains information about the setup and configuration of the LM5073 evaluation board.

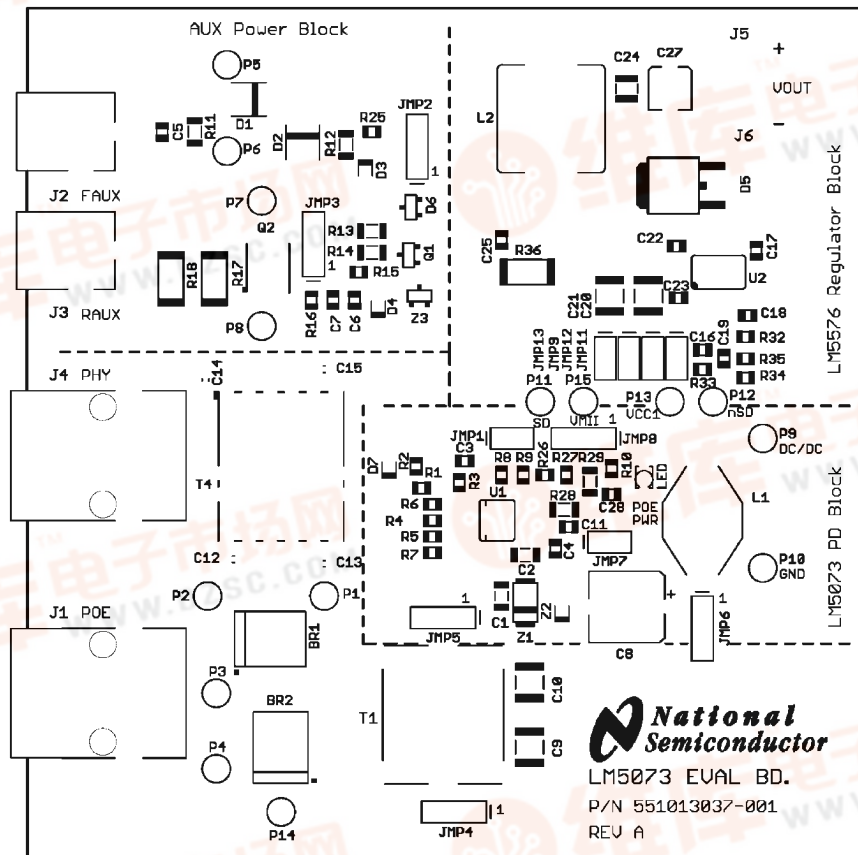
Figure 1 shows the evaluation board PCB layout.

The following are the connections:

- **J1**, RJ45 connector for PoE input and data link.
- **J2**, PJ102A power jack for the front Aux (FAUX) power input. The center pin of J2 is the high potential pin.
- **J3**, PJ102A power jack for the rear Aux (RAUX) power input. The center pin of J3 is the high potential pin.
- **J4**, RJ45 connector interface for data link to PHY circuit.
- **J5** and **J6**, 3.3V output port of the onboard buck regulator. J5 is the high potential pin.
- **P1** and **P2**, a pair of pins for quick PoE input connection from a bench power supply to the center taps of the Ethernet RX and TX magnetics. Pin polarity reversible.
- **P3** and **P4**, a pair of pins for quick PoE input connection from a bench power supply to the nodes of the spare pairs. Pin polarity reversible.
- **P5** and **P6**, a pair of pins for quick FAUX power input connection to a bench power supply. P5 is the high potential pin.

- **P7** and **P8**, a pair of pins for quick RAUX power input connection to a bench power supply. P7 is the high potential pin.
- **P9** and **P10**, PD interface power output port to an external DC-DC converter. P9 is the high potential pin.
- **P11**, active high shutdown signal pin to control an external DC-DC converter.
- **P12**, active low shutdown signal pin to control an external DC-DC converter.
- **P13**, bias voltage (Vcc) to or from an external DC-DC converter, limited from 9V to 14V.
- **P14**, chassis ground pin.
- **P15**, 3.3V from external DC-DC converter to bias the secondary windings' center taps of the Ethernet RX and TX transformers.

The evaluation board is designed with multi function features. Jumpers are used for easy reconfiguration of the evaluation board to meet various application requirements. The jumpers are listed in the following table.



30006301

FIGURE 1. The Evaluation Board Layout



Table of Jumpers

Jumper	Function
JMP1	Short for Aux dominant.
	Open for non-Aux dominant.
JMP2	Short pins 1 and 2 to produce startup bias voltage directly from RAUX input.
	Short pins 2 and 3 to produce startup bias voltage through linear regulator.
	Open all pins when above two functions are not required.
JMP3	Short pins 1 and 2 to select the simple RAUX inrush limit by resistor.
	Short pins 2 and 3 to select low loss RAUX input inrush limit by MOSFET.
	Either of the two settings must be selected.
JMP4, JMP5	Short pins 1 and 2 to use common mode input filter.
	Short pins 2 and 3 to bypass common mode input filter.
	Either of the two settings must be selected.
JMP6	Short pins 1 and 2 to use the differential input filter.
	Short pins 2 and 3 to bypass the differential input filter.
	Either of the two settings must be selected.
JMP7	Short to activate the PoE power indicator LED.
	Open to not select the PoE power indicator LED.
JMP8	Short pins 1 and 2 to select external pull up for the SD pin by Vcc.
	Short pins 2 and 3 to select external pull up for the nSD pin by Vcc.
	Open all pins when no external pull up is required.
JMP9, JMP11, JMP12,	Short to connect the PD interface with the onboard buck regulator.
JMP13	Open when an external DC-DC converter is used.

Applicable External DC-DC Converters

The external DC-DC converter can be chosen from, but not limited to, the following standard evaluation boards from National Semiconductor for quick evaluation tests. The required voltage rating of applicable DC-DC converter is 75V min.

- **LM5005 Evaluation Board**, a 2.5A buck regulator for low cost non-isolated PD application (Note: the LM5005 is a drop-in replacement for the LM5576 on the LM5073 evaluation board).
- **LM5020 Evaluation Board**, a current mode flyback converter.
- **LM5025 Evaluation Board**, a voltage mode active clamp forward converter.
- **LM5026 Evaluation Board**, a current mode active clamp forward converter.
- **LM5032 Evaluation Board**, a current mode dual interleaved converter.
- **LM5034 Evaluation Board**, a current mode dual interleaved converter with active clamp.
- **LM5115 Evaluation Board**, a 5A buck regulator with synchronous rectification.

Note that per IEEE 802.3af the DC-DC converter input capacitor should be at least 5 μ F. Considering the typical capacitor's tolerance and variations over temperature, a minimum 10 μ F nominal is required. This 10 μ F minimum value can be combinations of ceramic and electrolytic capacitors for cost considerations. When the external DC-DC converter's input capacitance is not enough, C8 of the evaluation board can be used. Using C8 but excluding L1, JMP6's three pins should be all shorted together.

A Note About the Onboard Buck Regulator

The onboard LM5576 buck regulator is a low cost solution that is ideal for continuous power levels not greater than 6W. Although the maximum output current is 3.0A maximum power is limited because the regulator employs a diode in the free-wheeling branch, which sacrifices the efficiency under normal 48V PoE operation. In order to obtain higher efficiency, a synchronous rectification buck regulator like the LM5115 evaluation board is recommended.

Configuration 1: IEEE 802.3af Fully Compliant PD Interface

Figure 2 shows the evaluation board configuration simplified for an IEEE 802.3af fully compliant PD interface implementation. The following table shows the jumper positions for this configuration.

Jumper Positions of Configuration 1

Jumper	Function
JMP4, JMP5	Pins 2 and 3 short, Pin 1 open.
JMP6	Pins 2 and 3 short, Pin 1 open.
JMP7	Pins open.
JMP8	All three pins open.
JMP9, JMP11, JMP12, JMP13	Jumper pins short when the on-board buck regulator is used. Jumper pins open when an external dc-dc converter is used.
Other Jumpers	Not relevant.



Configuration 2: 802.3af Fully Compliant PD Interface with Front Aux Power Support

Figure 3 shows the evaluation board configuration for an IEEE 802.3af fully compliant PD interface with front Aux power support. In order to obtain IEEE 802.3af specified maximum power, the Aux source voltage should be greater than 20V. Otherwise the obtainable power from the Aux source will be limited by the LM5073's maximum current limit of 800 mA. For higher power PD applications, the Aux source voltage applicable to the FAUX input depends on the power level, conversion efficiency, and the 800mA limit.

Note that R11 (24.9k) is used to overcome any leakage current of D1 and avoid faulty FAUX pin potential during PoE operation when the FAUX source is absent.

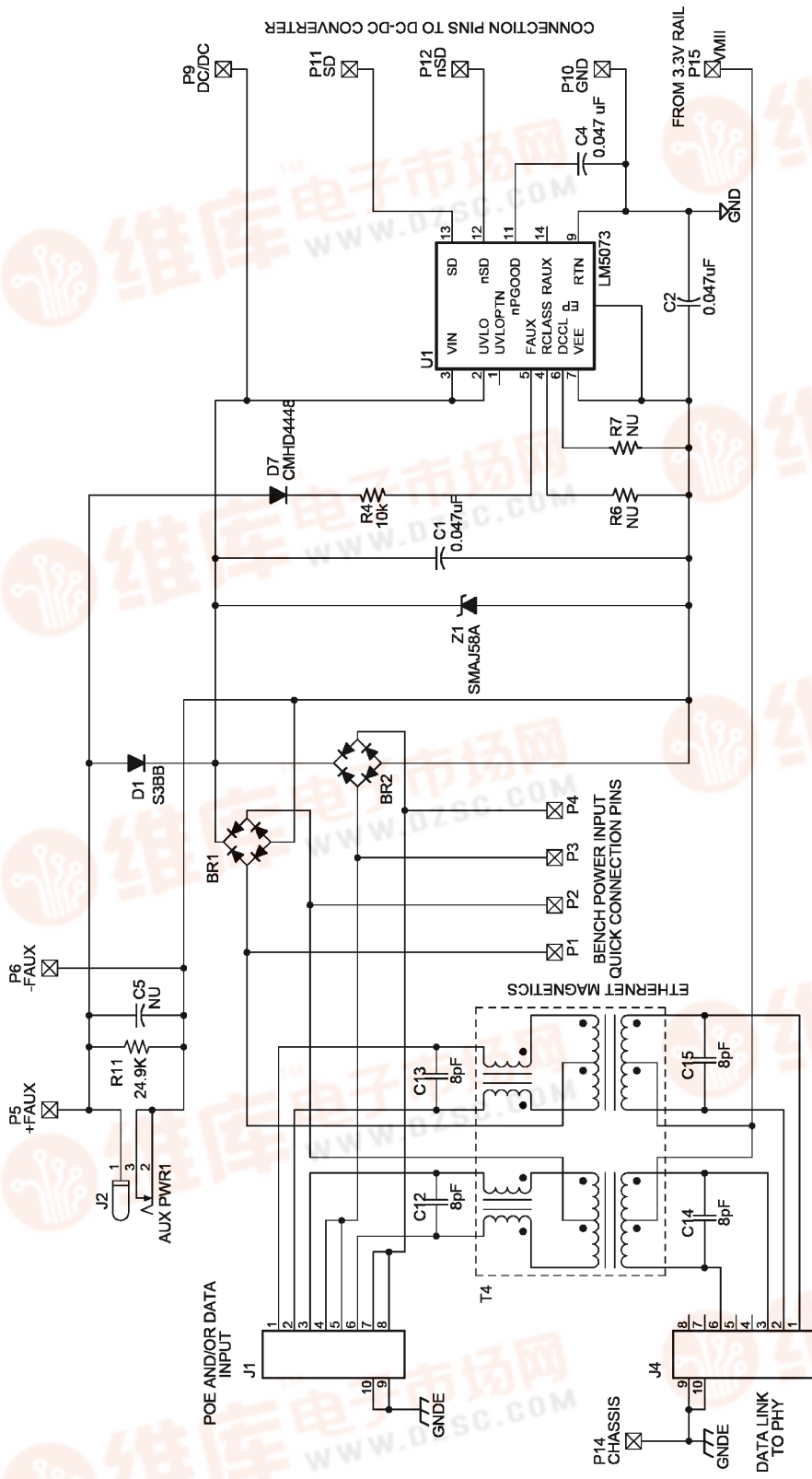
The following table shows the jumper positions for this configuration.

Jumper Positions of Configuration 2

Jumper	Function
JMP4, JMP5	Pins 2 and 3 short, Pin 1 open.
JMP6	Pins 2 and 3 short, Pin 1 open.
JMP7	Pins open.
JMP8	All three pins open.
JMP9, JMP11, JMP12, JMP13	Jumper pins short when the on-board buck regulator is used. Jumper pins open when an external dc-dc converter is used.
Other Jumpers	Not relevant.



[查询LM5073供应商](#)



30006303

- Note:**
1. The sum of C1 and C2 comprises the valid signature capacitance. In practice, this configuration can delete C2 and change C1 to 0.1µF.
 2. R6 may need to be installed for classification other than the default Class 0. Refer to LM5073 datasheet for R6 selection.
 3. The installed R7 (15.8k) is intended for high power PD applications, which sets the dc current limit to 800 mA. For fully compliant applications, R7 may need to be removed or replaced in order to limit the dc current per IEEE 802.3af. Refer to LM5073 datasheet for R7 selection.

FIGURE 3. IEEE 802.3af Fully Compliant PD Interface with Front Aux Power Support



Configuration 3: 802.3af Fully Compliant PD Interface with Rear Aux Power Support

Figure 4 shows the evaluation board configuration for an IEEE 802.3af fully compliant PD interface with rear Aux power support. This configuration is recommended for low voltage Aux power sources such as 12V or 24 ac adapters. The minimum RAUX input voltage can be as low as 10V. Note that R12 (24.9k) is used to overcome any leakage current of D2 in order to avoid faulty RAUX pin potential during PoE operation. Also note that R1 and R2 are used to provide simple RAUX input filtering as well as inrush limit.

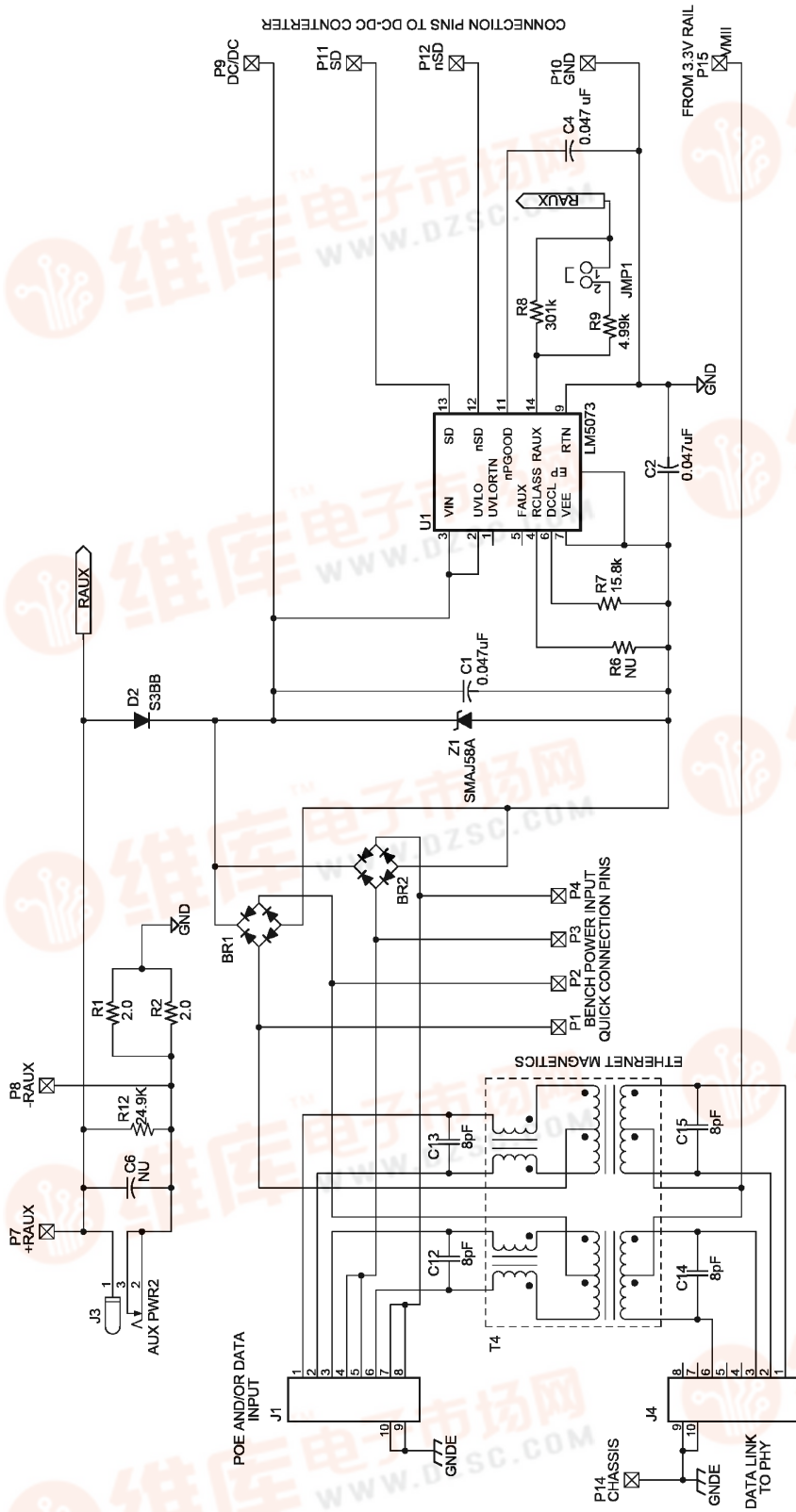
The following table shows the jumper positions for this configuration.

Jumper positions of Configuration 3

Jumper	Function
JMP1	Jumper pins short for Aux dominant.
	Jumper pins open for non-Aux dominant feature.
JMP2	All three pins open.
JMP3	Pins 2 and 3 short, Pin 1 open.
JMP4, JMP5	Pins 2 and 3 short, Pin 1 open.
JMP6	Pins 2 and 3 short, Pin 1 open.
JMP7	Pins open.
JMP8	All three pins open.
JMP9, JMP10, JMP11, JMP12, JMP13	Jumper pins short when on-board dc-dc converter is used.
	Jumper pins open when on-board dc-dc converter is used.



[查询LM5073供应商](#)

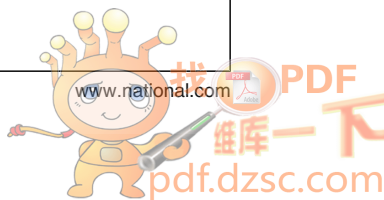


30006304

Note:

1. The sum of C1 and C2 comprises the valid signature capacitance. In practice, this configuration can delete C2 and change C1 to 0.1μF.
2. R6 may need to be installed for classification other than the default Class 0. Refer to LM5073 datasheet for R6 selection.
3. The installed R7 (15.8k) is intended for high power PD applications, which sets the dc current limit to 800 mA. For fully compliant applications, R7 may need to be removed or replaced in order to limit the dc current per IEEE 802.3af. Refer to LM5073 datasheet for R7 selection.

FIGURE 4. IEEE 802.3af Fully Compliant PD Interface with Front Aux Power Support



Configuration 4: Simple Non-Isolated PD Application

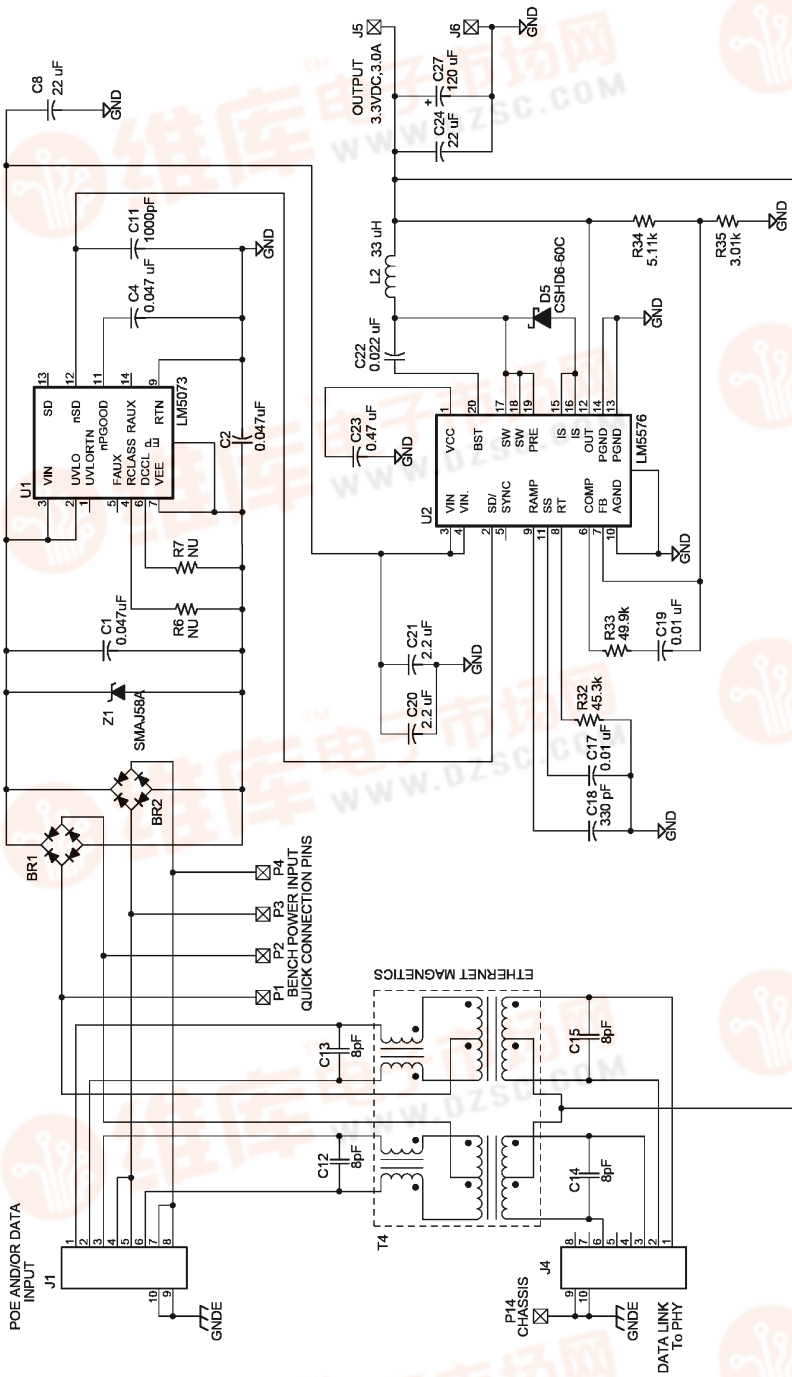
Figure 5 shows a simple non-isolated PD application using the onboard buck regulator. The following table shows the jumper positions for this configuration. See the previous note about the onboard buck regulator.

Jumper Positions of Configuration 4

Jumper	Function
JMP4, JMP5	Pins 2 and 3 short, Pin 1 open.
JMP6	All three pins short together.
JMP7	Pins open.
JMP8	All three pins open.
JMP9, JMP11, JMP12, JMP13	Jumper pins short.
Other Jumpers	Not relevant.



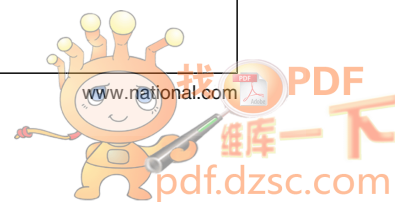
[查询LM5073供应商](#)



Note:

1. The sum of C1 and C2 comprises the valid signature capacitance. In practice, this configuration can delete C2 and change C1 to 0.1 μ F.
2. R6 may need to be installed for classification other than the default Class 0. Refer to LM5073 datasheet for R6 selection.
3. The installed R7 (15.8k) is intended for high power PD applications, which sets the dc current limit to 800 mA. For fully compliant applications, R7 may need to be removed or replaced in order to limit the dc current per IEEE 802.3af. Refer to LM5073 datasheet for R7 selection.

FIGURE 5. Non Isolated PD Implementation with LM5576 Buck Regulator



Other Custom Configurations

查询LM5073供应商

The evaluation board also includes the following additional features. For circuit details refer to the complete schematic in the last section of this article.

- An LED to indicate the PoE operation mode. This feature is selected by shorting JMP7. The bias voltage V_{cc} referenced to GND node from the DC-DC converter is required to feed into P13. Note that the V_{cc} voltage shall not exceed 14V.
- A low cost circuit to produce the startup bias voltage for the DC-DC converter's controller. It is required when the RAUX input voltage is not adequate for the controller to start. To select this feature, install D3 and R25 according to the BOM of Additional Features at the end of this article, and have JMP2's pins 2 and 3 shorted but pin 1 open.
- A linear regulator to produce the startup bias voltage for the DC-DC converter's controller when the RAUX input voltage varies over a wide range from under 14V to above 14V. To select this feature, install D6, Q1, R13, R14, Z3 according to the BOM of Additional Features at the end of this article, and have JMP2's pins 1 and 2 shorted but pin 3 open.
- An efficient MOSFET inrush limiter for the RAUX input line. It is to replace the lossy resistor limiter of R17 and R18. To select this feature, install C7, Q2, R14, R15, R16, Z3 according to the BOM of Additional Features at the end of this article, and have JMP3's pins 1 and 2 shorted but pin 3 open.
- External pull up of the SD and nSD pins. The bias voltage V_{cc} referenced to GND node from the DC-DC converter is required to feed into P13. To pull up the nSD pin, short JMP8's pins 1 and 2; to pull up the SD pin, short JMP8's pins 2 and 3. Note that the V_{cc} voltage shall not exceed 14V. If the V_{cc} voltage is greater than 14V, R28 and R29 shall be installed to reduce the voltage applied to the SD and nSD pins.
- An input common mode filter. To select this feature, install T1, C9 and C10 according to the BOM of Additional Features at the end of this article, and have JMP4 and JMP5's pins 1 and 2 shorted but pin 3 open.
- An input differential mode filter. To select this feature, have JMP6's pins 1 and 2 shorted but pin 3 open.
- Aux dominance feature. It only applies to Rear Aux power operation. To select Aux dominance, short JMP1. Normally D4 pads are shorted. When the protection of the RAUX pin against negative voltage application, install D4 of an appropriate voltage rating.
- Additional input capacitor C8 to meet the minimum 10 μ F requirement for PoE operation. Using C8 but excluding L1, JMP6's three pins should be all shorted together.

For applications which requires multi features of the previous configurations, simply combine those configurations. For example, to support both FAUX and RAUX power options, combine Figure 3 and Figure 4; for a non-isolated solution that supports both PoE and RAUX power options, combine Figure 4 and Figure 5; and so on.

Usage Setup and Test Procedure

LOAD CONNECTION

For the output connection, the load can be either a passive resistor or active electronic load. Attention should be paid to the output polarity when connecting an electronic load. It is recommended not to use additional filter capacitors greater

than 20 μ F total across the output port, as the extra capacitance will alter the feedback loop properties and may cause instability. If it is necessary to add extra capacitance in a particular application, the feedback loop compensation must be adjusted accordingly.

For the output load connection of either the onboard buck regulator or an external DC-DC converter, sufficiently large wire, such as AWG #18 or thicker, is required. Also, monitor the current into and out of the circuit board. Monitor the voltages directly at the board terminals, as resistive voltage drops along the connecting wires may decrease measurement accuracy. Never rely on the bench supply's voltmeter or ammeter if accurate efficiency measurements are desired.

SOURCE POWER

To fully test the evaluation board for high power PD applications, either a high power PSE able to supply adequate power or a bench DC power supply capable of at least 60V and 1A is required for the PoE input. For the FAUX and RAUX source power, a DC power supply capable of 30V and 3A can be used. Use the output over-voltage and over-current limit features of the bench power supplies to protect the board against damage by errant connections.

FAUX POWER OPTION

The auxiliary power source feeding into the FAUX input passes through the LM5073's hot swap MOSFET, and the inrush and dc current limits apply. Therefore, the applicable FAUX power voltage depends on the output power requirement. For the IEEE 802.3af specified maximum power intake of 12.95W, the FAUX power option will be limited to an auxiliary voltage source of 20V or higher. When the power level is lower or higher, the applicable FAUX power source voltage will be lower or higher, determined by the output power, conversion efficiency, and the 800mA maximum dc current limit of the LM5073.

RAUX POWER OPTION

An auxiliary power source of 10V to 57V can feed into the RAUX input. However, the simple RAUX input inrush limiter resistor for lower than 24V RAUX source will not be efficient, and the previously mentioned MOSFET type inrush limit will be required.

If the RAUX power source is below the minimum startup input voltage of the DC-DC converter, the startup bias voltage (normally V_{cc}) can be obtained directly from the RAUX input. A simple approach is to feed the RAUX input through a 20 Ω resistor and a diode to the V_{cc} rail of the DC-DC converter for startup. However, when the RAUX power source voltage is higher than the maximum rating of the VCC pin of the DC-DC converter's controller, this RAUX feed into VCC rail must be disconnected.

In the case that the RAUX power source may vary over a wide range from under the minimum startup input voltage of the DC-DC converter to above the maximum rated voltage of the VCC pin of the DC-DC converter's controller, the previously mentioned linear regulator should be used.

It should be pointed out that the RAUX power option bypasses the LM5073 hot swap MOSFET and feeds power directly into the input filter of the DC-DC converter. In order to improve the LM5073's noise immunity under RAUX power option, C2 of 0.047 μ F is used which provides a low impedance path from the IC substrate the RAUX source return. This explains why both C1 and C2 are used on the board to realize the required PD signature capacitance.



LOADING/CURRENT LIMITING BEHAVIOR

A resistive load is optimal. An appropriate electronic load specified for operation down to 2.0V is acceptable. The maximum load current of the on board DC-DC converter is 3.0A. Higher output power can be obtained by using an external DC-DC converter. The maximum current through the LM5073 PD interface's hot swap MOSFET is 800mA. Exceeding this DC current may cause oscillatory behavior as the circuit will go into current limit mode. The current limit can be programmed to suit the application, the setting is determined by R7, see the LM5073 datasheet for details. Current limit may also be achieved by the DC-DC converter, which will reduce the duty cycle, causing the output voltage to lose regulation. In both current limit cases, normal operation will be automatically restored after the removal of the fault condition.

POWER UP

For the first time power up, it is recommended to apply PoE power first without the DC-DC converter connected. Check the supply current during signature detection and classification modes before applying full power. During detection mode, the module should have the I-V characteristics of a 25 k Ω resistor in series with two diodes. During classification mode, the current draw should be about 40 mA at 16V, which is determined by R6 of 31.6 Ω . This sets the evaluation board to Class 4, which is "reserved for future use" per IEEE 802.3af, namely the high power application. If the proper response is not observed during both detection and classification modes, check the connections closely. If no current is flowing it is likely that the set of conductors feeding PoE power have been incorrectly installed. Once the proper setup has been established, connect the DC-DC converter and full power can be applied. A voltmeter across the output terminals of the DC-DC converter will allow direct measurement of the output line. If the output voltage is not observed within a few seconds, turn off the power supply and review connections.

After proper PoE operation is verified, the user may apply FAUX and RAUX power. It is recommended that the application of Aux powers follow the same precautions as those for PoE power application. If no output voltage is observed, it is likely that the Aux power feed polarity is reversed. After successful operation is observed, full Aux power testing can begin.

PD Interface Power Up Sequence

When connecting into the PoE system, the evaluation board will go through the following operating modes in sequence: PD signature detection, power level classification (optional), and application of full power.

Signature Detection

The 25 k Ω PD signature resistor is integrated into the LM5073 IC. The PD signature capacitor is realized with both C1 and C2, each of which is 0.047 μ F.

Note that when either FAUX or RAUX power is applied first, it will not allow the PSE to identify the PD as a valid device because the auxiliary voltage will cause the current steering diode bridges BR1 and BR2 to be reverse biased during detection. So the PSE will not apply power, and the evaluation board will only draw current from the auxiliary source.

Classification

PD classification can be implemented with R6, which is not populated on the evaluation board and meant to take the default Class 0. Refer to the LM5073 datasheet to select R6 value.

Depending on the PSE in use, the circuit may or may not go into classification.

Full Power Application

The PSE enters full power application mode after Classification. Before the PoE input voltage reaches the UVLO release threshold, the hot swap MOSFET is in the OFF state. Thus, all circuits referenced to the GND node remain at high potential. The voltage across the hot swap MOSFET, namely the voltage between the RTN and VEE pins, will be approximately equal to the PoE input voltage seen across the VIN and VEE pins.

The evaluation board uses the default UVLO setting of the LM5073 by shorting the UVLO and VIN pins. To program UVLO thresholds to different values, refer to the LM5073 datasheet for the selection of C3, R1, R2 and R3.

When the PoE input voltage reaches the UVLO release threshold, the UVLO is released. The hot swap MOSFET is turned on, and the PD interface enters the inrush limiting mode. The limited inrush current charges up the DC-DC converter's input capacitors.

Power Good Establishment and Startup of the DC-DC Converter

As the DC-DC converter's input capacitors are charging up, the potential of the RTN is decreasing with respect to the VEE pin potential. Once the RTN pin potential drops below 1.5V (referenced to VEE), power good is asserted by pulling the nPGOOD pin low, and the SD and nSD pins establish the normal states to turn on the DC-DC converter. Then, the DC-DC converter will enter the soft start mode. After the soft start is complete, the DC-DC converter enters steady state operation and output regulation will be achieved.

Aux Power Up Sequence

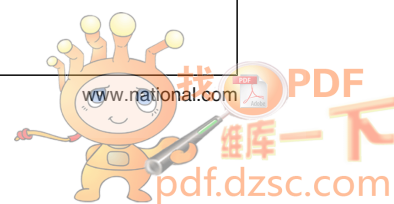
The FAUX input power up sequence is similar to that of the PoE input, with the exception that the UVLO release threshold is overridden when the FAUX pin is pulled up.

The RAUX input power up sequence is simpler:

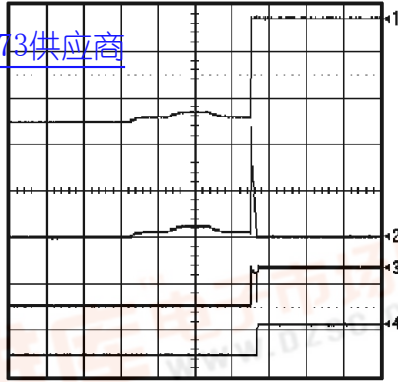
- RAUX power application quickly charges the input capacitors. The RAUX input inrush limit resistors limit the inrush current and prevent any overshoot of the voltage between the VIN and RTN pins.
- The hot swap MOSFET is turned off, the DC-DC converter's input capacitors are charged up, and the SD and nSD pins establish the normal states to turn on the DC-DC converter.
- The DC-DC converter will enter the soft start mode. After the soft start is complete, the DC-DC converter enters steady state operation and the output regulation will be achieved.

Performance Characteristics

Figure 6 shows key waveforms during a normal PoE power up sequence. Please note that the PSE used in the test goes through detection mode, but does not perform classification and directly enters full power application mode.



[查询LM5073供应商](#)



30006306

Horizontal Resolution: 50 ms/div.

Trace 1: PoE input voltage across the VIN and VEE pins. 20V/div.

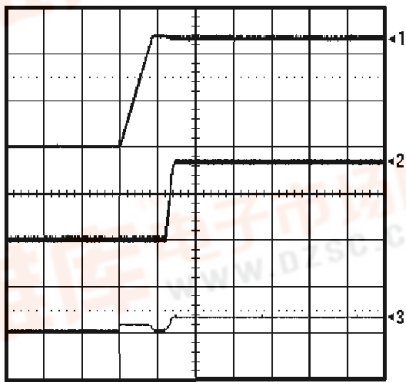
Trace 2: Voltage across the RTN and VEE pins, namely the voltage across the Hot Swap MOSFET. 20V/div.

Trace 3: The input current. 0.2A/div.

Trace 4: The 3.3V output voltage. 2V/div.

FIGURE 6. PoE Power Up Sequence with a Midspan PSE

Figure 7 and Figure 8 show the FAUX and RAUX input power up sequence, respectively.



30006307

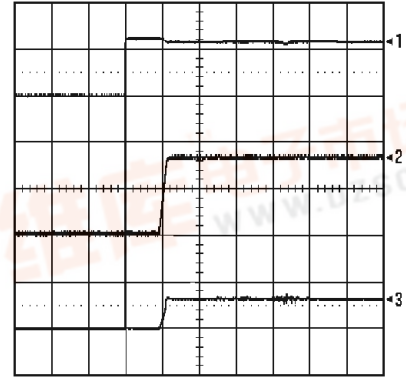
Horizontal Resolution: 5 ms/div.

Trace 1: AUX input voltage (VIN to RTN pins). 10V/div.

Trace 2: The 3.3V output voltage. 2V/div.

Trace 3: The input current. 1A/div.

FIGURE 7. Normal FAUX Input Startup Sequence



30006308

Horizontal Resolution: 5 ms/div.

Trace 1: AUX input voltage (VIN to RTN pins). 10V/div.

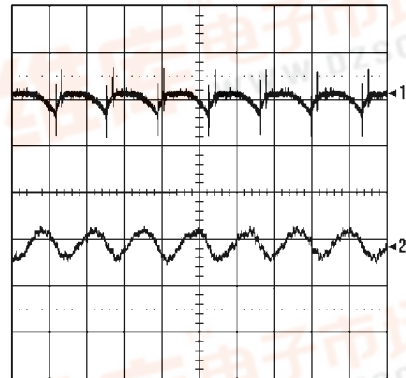
Trace 2: The 3.3V output voltage. 2V/div.

Trace 3: The input current. 1A/div.

FIGURE 8. RAUX Power Up Sequence

Ripple Voltage and Current

Figure 9 shows the output ripple voltage and input ripple current when the evaluation board is configured to use the on-board DC-DC Buck regulator. The differential mode input filter is used during the test.



30006309

Horizontal Resolution: 5 μ s/div.

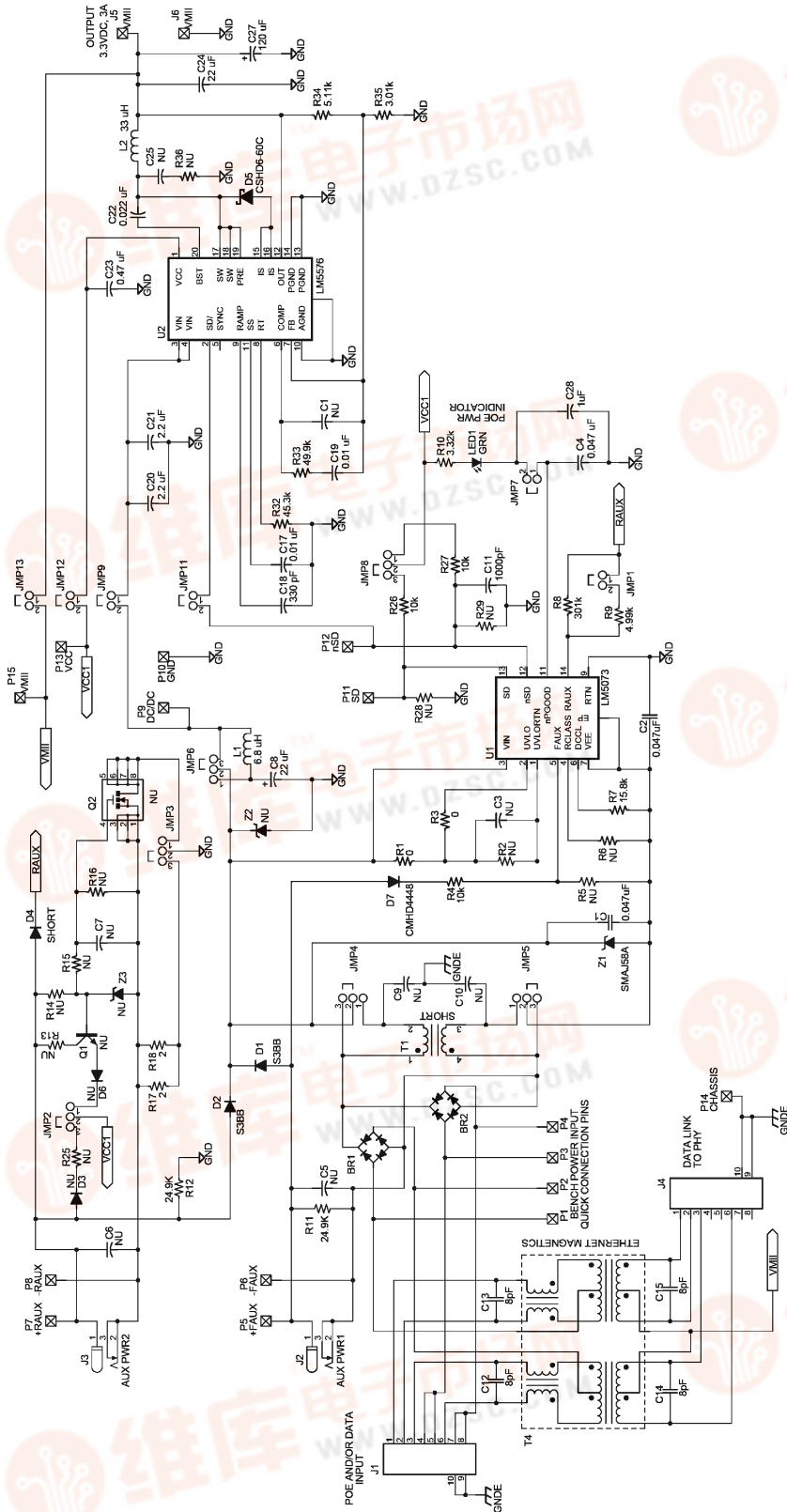
Trace 1: The output ripple voltage (AC coupled). 20 mV/div.

Trace 2: The input ripple current (AC coupled). 20 mA/div.

FIGURE 9. The Evaluation Board Ripple Voltage and Current

The Complete Evaluation Board Schematic, PCB and Bill of Materials

AN-1574

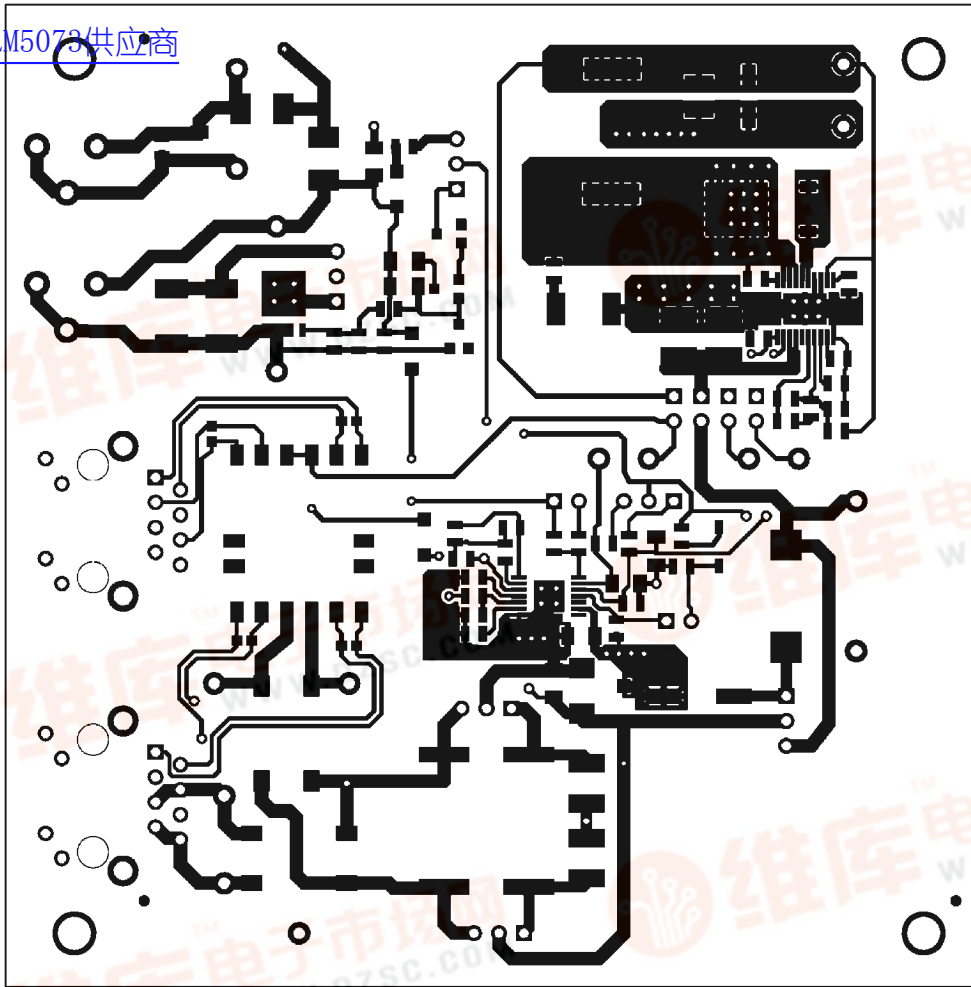


30006310

FIGURE 10. The Complete Schematic of the Evaluation Board



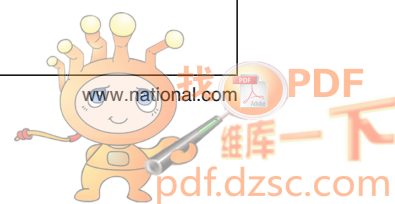
[查询LM5075供应商](#)



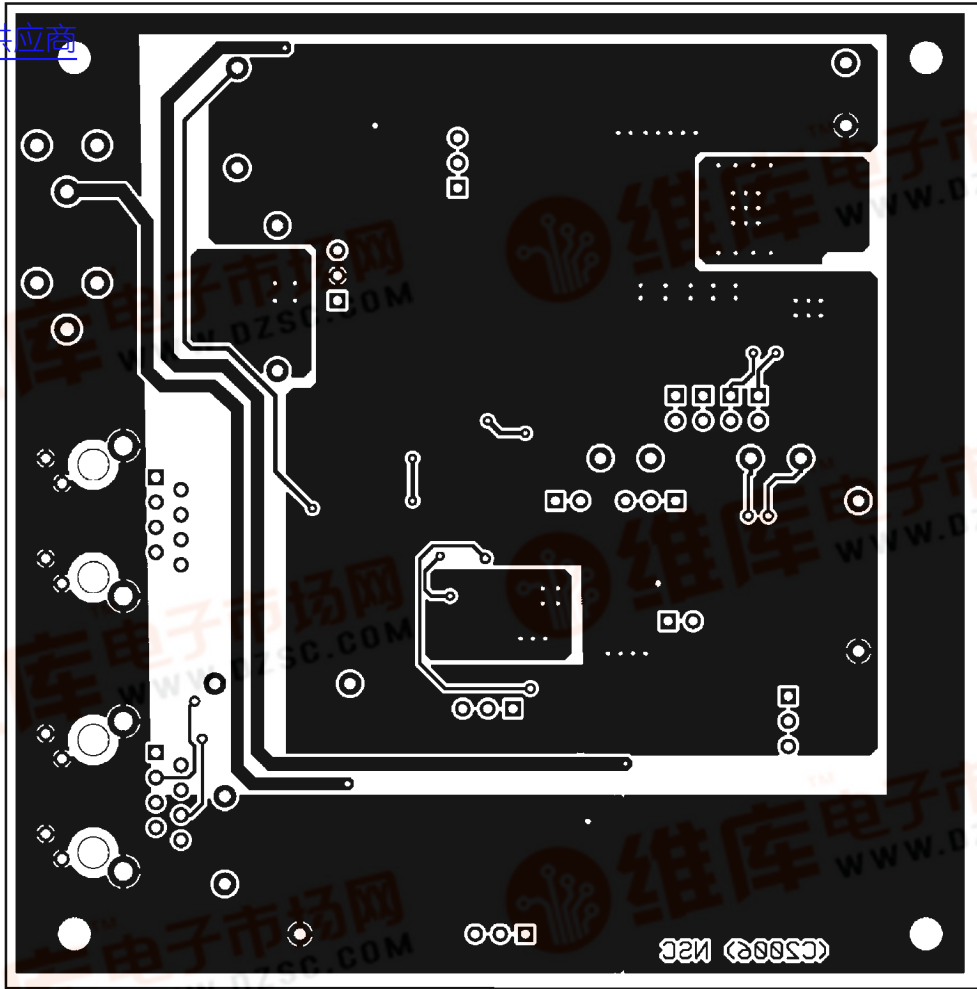
TOP (CMP) LAYER AS VIEWED FROM TOP
880013037-001 REV A

30006312

FIGURE 12. Top Layer



[查询LM5073供应商](#)



BOTTOM (.SOL) LAYER AS VIEWED FROM TOP
880013037-001 REV A

30006313

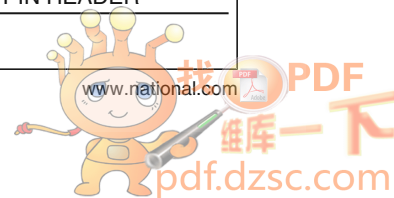
FIGURE 13. Bottom Layer



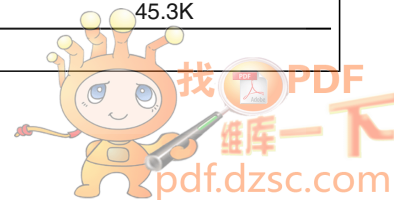
[查询LM5073供应商](#)

Bill of Materials

ITEM	PART NUMBER	DESCRIPTION	VALUE
BR1	CBR1-D020S	DIODE BRIDGE, SMDIP, CENTRAL	1A, 200V
BR2	CBR1-D020S	DIODE BRIDGE, SMDIP, CENTRAL	1A, 200V
C1	C3216X7R2A473K	CAPACITOR, CER, CC1206, TDK	0.047 μ F, 100V
C2	C3216X7R2A473K	CAPACITOR, CER, CC1206, TDK	0.047 μ F, 100V
C3	NU	NOT POPULATED	
C4	C0805C473K5RAC	CAPACITOR, CER, CC0805, KEMET	0.047 μ F, 50V
C5	NU	NOT POPULATED	
C6	NU	NOT POPULATED	
C7	NU	NOT POPULATED	
C8	EEV-HA2A220P	CAPACITOR, AL ELEC, PANASONIC	22 μ F, 100V
C9	NU	NOT POPULATED	
C10	NU	NOT POPULATED	
C11	C2012X5R1C102K	CAPACITOR, CER, CC0805, TDK	1000pF, 100V
C12	C0805C473K5RAC	CAPACITOR, CER, CC0603, AVX	8pF, 100V
C13	C0805C473K5RAC	CAPACITOR, CER, CC0603, AVX	8pF, 100V
C14	C0805C473K5RAC	CAPACITOR, CER, CC0603, AVX	8pF, 100V
C15	C0805C473K5RAC	CAPACITOR, CER, CC0603, AVX	8pF, 100V
C16	C0805C470G1GAC	CAPACITOR, CER, CC0805, KEMET	47pF, 100V
C17	C2012X5R1C103K	CAPACITOR, CER, CC0805, TDK	0.01 μ F, 100V
C18	C0805C331G1GAC	CAPACITOR, CER, CC0805, KEMET	330pF, 100V
C19	C2012X5R1C103K	CAPACITOR, CER, CC0805, TDK	0.01 μ F, 100V
C20	C4532X7R2A225M	CAPACITOR, CER, CC1812, TDK	2.2 μ F, 100V
C21	C4532X7R2A225M	CAPACITOR, CER, CC1812, TDK	2.2 μ F, 100V
C22	C2012X7R2A223K	CAPACITOR, CER, CC0805, TDK	0.022 μ F, 100V
C23	C2012X5R1E474M	CAPACITOR, CER, CC0805, TDK	0.47 μ F, 25V
C24	C3325X7R1C226M	CAPACITOR, CER, CC1210, TDK	22 μ F, 16V
C27	APXE6R3ARA121ME61G	CAPACITOR, PAS, NIPPON CHEMI-COM	120 μ F, 6.3V
C28	C2012X5R1E105M	CAPACITOR, CER, CC0805, TDK	1 μ F, 25V
D1	S3BB-13	DIODE, SMB, DIODE INC	3A, 100V
D2	S3BB-13	DIODE, SMB, DIODE INC	3A, 100V
D3	NU	NOT POPULATED	
D4	SHORT-LEADS	SHORT WITH R1206 0 OHM RES OR BUS WIRE	
D5	CHSD6-60C	DIODE, DPAK, CENTRAL	6A, 60V
D6	NU	NOT POPULATED	
D7	CMHD4448	DIODE, SOD123, CENTRAL	125mA, 75V
J1	CN-PHONE8P8C-RA-SHLD	RJ45 CONNECTOR	
J2	PJ-102A	POWER JACK	
J3	PJ-102A	POWER JACK	
J4	CN-PHONE8P8C-RA-SHLD	RJ45 CONNECTOR	
J5	3104-2-00-01-00-00-080	POST, MILL MAX	
J6	3104-2-00-01-00-00-080	POST, MILL MAX	
JMP1	A26542-ND	CONN HEADER VERT., 2POS, DIGI-KEY	2 PIN HEADER
JMP2	A26544-ND	CONN HEADER VERT., 3POS, DIGI-KEY	3 PIN HEADER
JMP3	A26544-ND	CONN HEADER VERT., 3POS, DIGI-KEY	3 PIN HEADER
JMP4	A26544-ND	CONN HEADER VERT., 3POS, DIGI-KEY	3 PIN HEADER
JMP5	A26544-ND	CONN HEADER VERT., 3POS, DIGI-KEY	3 PIN HEADER
JMP6	A26544-ND	CONN HEADER VERT., 3POS, DIGI-KEY	3 PIN HEADER



ITEM	PART NUMBER	DESCRIPTION	VALUE
JMP7	A26542-ND	CONN HEADER VERT., 2POS, DIGI-KEY	2 PIN HEADER
JMP8	A26544-ND	CONN HEADER VERT., 3POS, DIGI-KEY	3 PIN HEADER
JMP9	A26542-ND	CONN HEADER VERT., 2POS, DIGI-KEY	2 PIN HEADER
JMP11	A26542-ND	CONN HEADER VERT., 2POS, DIGI-KEY	2 PIN HEADER
JMP12	A26542-ND	CONN HEADER VERT., 2POS, DIGI-KEY	2 PIN HEADER
JMP13	A26542-ND	CONN HEADER VERT., 2POS, DIGI-KEY	2 PIN HEADER
L1	DO3308P-682MLD	SM INDUCTOR, COILCRAFT	6.8uH
L2	DR127-330	INDUCTOR, COOPER	33uH
LED1	SSL-LXA228GC-TR11	LED, GREEN, LUMEX	
P1	3104-2-00-01-00-00-080	POST, MILL MAX	
P2	3104-2-00-01-00-00-080	POST, MILL MAX	
P3	3104-2-00-01-00-00-080	POST, MILL MAX	
P4	3104-2-00-01-00-00-080	POST, MILL MAX	
P5	3104-2-00-01-00-00-080	POST, MILL MAX	
P6	3104-2-00-01-00-00-080	POST, MILL MAX	
P7	3104-2-00-01-00-00-080	POST, MILL MAX	
P8	3104-2-00-01-00-00-080	POST, MILL MAX	
P9	3104-2-00-01-00-00-080	POST, MILL MAX	
P10	3104-2-00-01-00-00-080	POST, MILL MAX	
P11	3104-2-00-01-00-00-080	POST, MILL MAX	
P12	3104-2-00-01-00-00-080	POST, MILL MAX	
P13	3104-2-00-01-00-00-080	POST, MILL MAX	
P14	3104-2-00-01-00-00-080	POST, MILL MAX	
P15	3104-2-00-01-00-00-080	POST, MILL MAX	
Q1	NU	NOT POPULATED	
Q2	NU	NOT POPULATED	
R1	CRCW08050R0J	RESISTOR	0 Ohm
R2	NU	NOT POPULATED	
R3	CRCW08050R0J	RESISTOR	0 Ohm
R4	CRCW08051002F	RESISTOR	10K
R5	NU	NOT POPULATED	
R6	NU	NOT POPULATED	
R7	CRCW08051582F	RESISTOR	15.8K
R8	CRCW08053013F	RESISTOR	301K
R9	CRCW08054991F	RESISTOR	4.99K
R10	CRCW08053321F	RESISTOR	3.32K
R11	CRCW12062492F	RESISTOR	24.9K
R12	CRCW12062492F	RESISTOR	24.9K
R13	NU	NOT POPULATED	
R14	NU	NOT POPULATED	
R15	NU	NOT POPULATED	
R16	NU	NOT POPULATED	
R17	CRCW2512100J	RESISTOR	1 Ohm, 1W
R18	CRCW2512100J	RESISTOR	1 Ohm, 1W
R25	NU	NOT POPULATED	
R26	CRCW08051002F	RESISTOR	10K
R27	CRCW08051002F	RESISTOR	10K
R28	NU	NOT POPULATED	
R29	NU	NOT POPULATED	
R32	CRCW08054532F	RESISTOR	45.3K



ITEM	PART NUMBER	DESCRIPTION	VALUE
R33	CRCW08054992F	RESISTOR	49.9K
R34	CRCW08055111F	RESISTOR	5.11K
R35	CRCW08053011F	RESISTOR	3.01K
R36	NU	NOT POPULATED	
T1	SHORT LEADS	SHORT LEADS ON EACH SIDE (1-2, 3-4)	AWG18 BUS WIRE
T4	ETH1-230LD	XFMR, POE+ETHERNET, COILCRAFT	
U1	LM5073	PD INTERFACE, NSC	
U2	LM5576	REGULATOR, NSC	
Z1	SMAJ58A	TVS, 58V, SMA, DIODE INC	
Z2	NU	NOT POPULATED	
Z3	NU	NOT POPULATED	

BOM for Additional Features

ITEM	PART NUMBER	DESCRIPTION	VALUE
C7	C2012X5R1E474M	CAPACITOR, CER, CC0805, TDK	0.47 μ F, 25V
C9	1808JA250102MCTPY2	CAPACITOR, Y-TYPE, SYFER	1000pF, 250Vac
C10	1808JA250102MCTPY2	CAPACITOR, Y-TYPE, SYFER	1000pF, 250Vac
D3	CMHD4448	DIODE, SOD123, CENTRAL	125mA, 75V
D6	CMHD4448	DIODE, SOD123, CENTRAL	125mA, 75V
Q1	CMPT2222A	BIPOLAR, NPN, SOT-23, CENTRAL	0.6A, 60V
Q2	SI4470EY	MOSFET, N-CH, SO-8, VISHAY	12A, 60V
R13	CRCW1206100RJ	RESISTOR	100 Ω
R14	CRCW12062001F	RESISTOR	2.0K
R15	CRCW08051003F	RESISTOR	100K
R16	CRCW08051004F	RESISTOR	100k
T1	D1882-AL	COMMOM-MODE CHOKE, COILCRAFT	1.5mH
Z3	CMPZ524B	ZENER, SOT-23, CENTRAL	10V



Notes

THE CONTENTS OF THIS DOCUMENT ARE PROVIDED IN CONNECTION WITH NATIONAL SEMICONDUCTOR CORPORATION ("NATIONAL") PRODUCTS. NATIONAL MAKES NO REPRESENTATIONS OR WARRANTIES WITH RESPECT TO THE ACCURACY OR COMPLETENESS OF THE CONTENTS OF THIS PUBLICATION AND RESERVES THE RIGHT TO MAKE CHANGES TO SPECIFICATIONS AND PRODUCT DESCRIPTIONS AT ANY TIME WITHOUT NOTICE. NO LICENSE, WHETHER EXPRESS, IMPLIED, ARISING BY ESTOPPEL OR OTHERWISE, TO ANY INTELLECTUAL PROPERTY RIGHTS IS GRANTED BY THIS DOCUMENT.

TESTING AND OTHER QUALITY CONTROLS ARE USED TO THE EXTENT NATIONAL DEEMS NECESSARY TO SUPPORT NATIONAL'S PRODUCT WARRANTY. EXCEPT WHERE MANDATED BY GOVERNMENT REQUIREMENTS, TESTING OF ALL PARAMETERS OF EACH PRODUCT IS NOT NECESSARILY PERFORMED. NATIONAL ASSUMES NO LIABILITY FOR APPLICATIONS ASSISTANCE OR BUYER PRODUCT DESIGN. BUYERS ARE RESPONSIBLE FOR THEIR PRODUCTS AND APPLICATIONS USING NATIONAL COMPONENTS. PRIOR TO USING OR DISTRIBUTING ANY PRODUCTS THAT INCLUDE NATIONAL COMPONENTS, BUYERS SHOULD PROVIDE ADEQUATE DESIGN, TESTING AND OPERATING SAFEGUARDS.

EXCEPT AS PROVIDED IN NATIONAL'S TERMS AND CONDITIONS OF SALE FOR SUCH PRODUCTS, NATIONAL ASSUMES NO LIABILITY WHATSOEVER, AND NATIONAL DISCLAIMS ANY EXPRESS OR IMPLIED WARRANTY RELATING TO THE SALE AND/OR USE OF NATIONAL PRODUCTS INCLUDING LIABILITY OR WARRANTIES RELATING TO FITNESS FOR A PARTICULAR PURPOSE, MERCHANTABILITY, OR INFRINGEMENT OF ANY PATENT, COPYRIGHT OR OTHER INTELLECTUAL PROPERTY RIGHT.

LIFE SUPPORT POLICY

NATIONAL'S PRODUCTS ARE NOT AUTHORIZED FOR USE AS CRITICAL COMPONENTS IN LIFE SUPPORT DEVICES OR SYSTEMS WITHOUT THE EXPRESS PRIOR WRITTEN APPROVAL OF THE CHIEF EXECUTIVE OFFICER AND GENERAL COUNSEL OF NATIONAL SEMICONDUCTOR CORPORATION. As used herein:

Life support devices or systems are devices which (a) are intended for surgical implant into the body, or (b) support or sustain life and whose failure to perform when properly used in accordance with instructions for use provided in the labeling can be reasonably expected to result in a significant injury to the user. A critical component is any component in a life support device or system whose failure to perform can be reasonably expected to cause the failure of the life support device or system or to affect its safety or effectiveness.

National Semiconductor and the National Semiconductor logo are registered trademarks of National Semiconductor Corporation. All other brand or product names may be trademarks or registered trademarks of their respective holders.

Copyright© 2007 National Semiconductor Corporation

For the most current product information visit us at www.national.com



**National Semiconductor
Americas Customer
Support Center**
Email:
new.feedback@nsc.com
Tel: 1-800-272-9959

**National Semiconductor Europe
Customer Support Center**
Fax: +49 (0) 180-530-85-86
Email: europe.support@nsc.com
Deutsch Tel: +49 (0) 69 9508 6208
English Tel: +49 (0) 870 24 0 2171
Français Tel: +33 (0) 1 41 91 8790

**National Semiconductor Asia
Pacific Customer Support Center**
Email: ap.support@nsc.com

**National Semiconductor Japan
Customer Support Center**
Fax: 81-3-5639-7507
Email: jpn.feedback@nsc.com
Tel: 81-3-5639-7560