

LDOs Ease the Stress of Start-Up

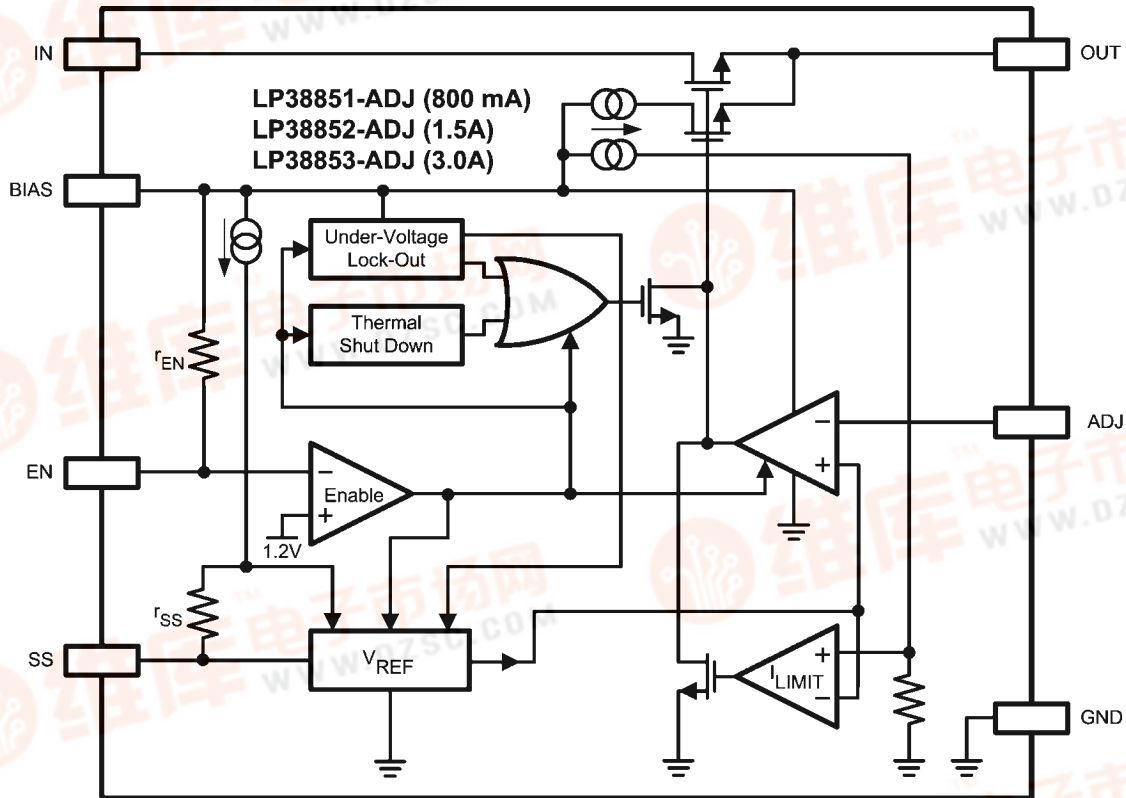
查询LP38851供应商

National Semiconductor
Application Note 1815
Don Jones
September 23, 2008



Typical low-dropout (LDO) linear voltage regulators do not provide a method of limiting the in-rush current during start up conditions. Using the LP38851, LP38852, and LP38853 adjustable LDO linear regulators, with nominal current levels of

800mA, 1.5A, and 3A, respectively, will eliminate this problem by including user-programmable, soft-start circuitry with the device.



30056701

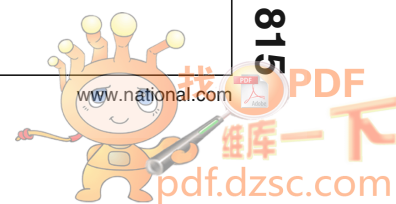
FIGURE 1. LP38851/52/53-ADJ Block Diagram

When power is first applied to a linear LDO regulator, a finite setting of time is needed for the internal circuitry (Figure 1), including the band-gap reference voltage, to stabilize. This internal electrical uncertainty can be addressed by the use of Under-Voltage Lock-Out (UVLO) circuitry and an external enable logic control.

When V_{IN} has risen above the UVLO threshold and the enable logic command is valid, the LDO becomes active, the error amplifier (EA) senses the output voltage is low and, in re-

sponse, drives the pass element fully on. The pass element then allows a large in-rush current to charge the output capacitance. This in-rush current is initially limited only by the pass element $R_{DS(ON)}$.

Figure 2 shows a typical application schematic of the LP38853-ADJ. (Note the C_{SS} capacitor is connected to the (SS) soft-start pin). Next, we'll compare start up behavior without utilizing the soft-start feature versus start up behavior with a $0.01\mu F$ capacitor for C_{SS} .



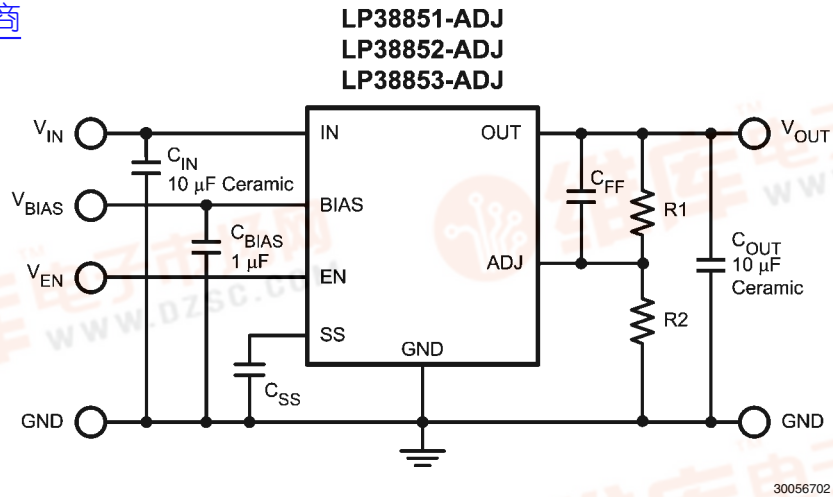


FIGURE 2. LP38851/52/53-ADJ Typical Application

Figure 3 shows the in-rush current and the V_{IN} disturbance for the LP38853 without a soft-start capacitor which represents a typical behavior of many linear regulators. In this example

V_{IN} is set to 2.5V, V_{OUT} is set to 1.0V, the R_{LOAD} value is 0.5 ohm, and C_{OUT} is 330 μ F.

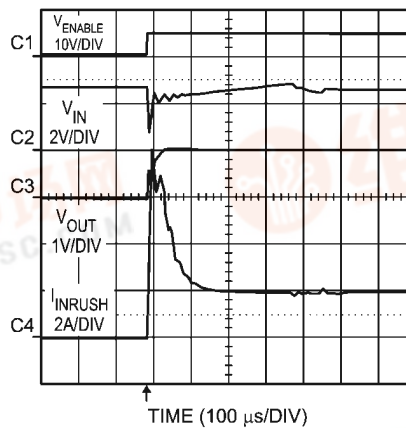


FIGURE 3. Startup In-rush Current Produces a V_{IN} and V_{OUT} Disturbance, $C_{OUT} = 330\mu$ F

V_{OUT} exhibits a slight disturbance where the input current demand (8A peak) and the voltage drop at V_{IN} causes V_{OUT} to drop momentarily. This non-monotonic start-up for V_{OUT} is not suitable behavior for many digital sub-systems, and this excessive inrush current can cause several problems. Three of the more common problems are:

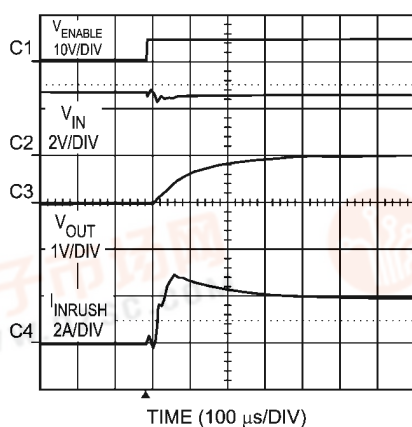
1. If the in-rush current exceeds the threshold of the LDO current limit circuit, it may cause the output voltage to fall. Only when the output capacitor is sufficiently charged, and the current demand falls below the current limit threshold, will the output voltage begin to rise again.
2. If the LDO in-rush current is greater than the current capacity of the main power supply, or if the source impedance of the main power supply is high enough, the voltage at the LDO V_{IN} pin will drop back below the UVLO

threshold, shutting down the LDO. This result can affect any voltage-sensitive circuits on the main power supply line.

3. Small amounts of in-rush current can cause voltage and current ringing on the input voltage line if the line is sufficiently inductive. This ringing can couple between traces on a printed circuit board causing problems that may be difficult to debug.

Figure 4 demonstrates the in-rush current for the LP38853 under identical electrical conditions as Figure 3, except the soft-start capacitor (C_{SS}) is set to 0.01 μ F. This provides an RC time constant for V_{OUT} of 140 μ s, with V_{OUT} within 99% of the final value in typically 700 μ s (i.e. 5RC). Here the soft-start feature has reduced the peak in-rush current to 3A and provides a monotonic V_{OUT} start-up characteristic.

[查询LP38851供应商](#)



30056704

FIGURE 4. Startup In-rush Current with Soft-start, $C_{OUT} = 330\mu\text{F}$

The soft-start circuitry of the LP38851/52/53 consists of an internal resistor and a user-selectable external capacitor. These two components form a low pass RC filter providing a reference voltage to the Error Amplifier that at power-up, starts at zero volts and rises at a defined rate. This defined rise time of the reference voltage will control the rise time of the output voltage and the reduced dV/dt will demand less in-rush current.

With this simple RC filter, the highest inrush current will occur during the first time constant where V_{REF} has the largest dV/dt . The resistor is built into the circuit and therefore the user

only needs to select an appropriate external soft-start capacitor to control the rise time.

The ideal choice for the soft-start capacitor value is one that will limit the in-rush current to a value no more than the rated current. A practical value for the soft-start capacitor is one that provides an acceptably controlled startup characteristic with minimal disruption to the main power supply.

In summary, the LP38851/52/53 devices, with soft-start, provide a reliable way to ensure that start-up into high capacitive loads is uneventful and stress free.

[查询LP38851供应商](#)

Notes

For more National Semiconductor product information and proven design tools, visit the following Web sites at:

Products		Design Support	
Amplifiers	www.national.com/amplifiers	WEBENCH	www.national.com/webench
Audio	www.national.com/audio	Analog University	www.national.com/AU
Clock Conditioners	www.national.com/timing	App Notes	www.national.com/appnotes
Data Converters	www.national.com/adc	Distributors	www.national.com/contacts
Displays	www.national.com/displays	Green Compliance	www.national.com/quality/green
Ethernet	www.national.com/ethernet	Packaging	www.national.com/packaging
Interface	www.national.com/interface	Quality and Reliability	www.national.com/quality
LVDS	www.national.com/lvds	Reference Designs	www.national.com/refdesigns
Power Management	www.national.com/power	Feedback	www.national.com/feedback
Switching Regulators	www.national.com/switchers		
LDOs	www.national.com/lido		
LED Lighting	www.national.com/led		
PowerWise	www.national.com/powerwise		
Serial Digital Interface (SDI)	www.national.com/sdi		
Temperature Sensors	www.national.com/tempsensors		
Wireless (PLL/VCO)	www.national.com/wireless		

THE CONTENTS OF THIS DOCUMENT ARE PROVIDED IN CONNECTION WITH NATIONAL SEMICONDUCTOR CORPORATION ("NATIONAL") PRODUCTS. NATIONAL MAKES NO REPRESENTATIONS OR WARRANTIES WITH RESPECT TO THE ACCURACY OR COMPLETENESS OF THE CONTENTS OF THIS PUBLICATION AND RESERVES THE RIGHT TO MAKE CHANGES TO SPECIFICATIONS AND PRODUCT DESCRIPTIONS AT ANY TIME WITHOUT NOTICE. NO LICENSE, WHETHER EXPRESS, IMPLIED, ARISING BY ESTOPPEL OR OTHERWISE, TO ANY INTELLECTUAL PROPERTY RIGHTS IS GRANTED BY THIS DOCUMENT.

TESTING AND OTHER QUALITY CONTROLS ARE USED TO THE EXTENT NATIONAL DEEMS NECESSARY TO SUPPORT NATIONAL'S PRODUCT WARRANTY. EXCEPT WHERE MANDATED BY GOVERNMENT REQUIREMENTS, TESTING OF ALL PARAMETERS OF EACH PRODUCT IS NOT NECESSARILY PERFORMED. NATIONAL ASSUMES NO LIABILITY FOR APPLICATIONS ASSISTANCE OR BUYER PRODUCT DESIGN. BUYERS ARE RESPONSIBLE FOR THEIR PRODUCTS AND APPLICATIONS USING NATIONAL COMPONENTS. PRIOR TO USING OR DISTRIBUTING ANY PRODUCTS THAT INCLUDE NATIONAL COMPONENTS, BUYERS SHOULD PROVIDE ADEQUATE DESIGN, TESTING AND OPERATING SAFEGUARDS.

EXCEPT AS PROVIDED IN NATIONAL'S TERMS AND CONDITIONS OF SALE FOR SUCH PRODUCTS, NATIONAL ASSUMES NO LIABILITY WHATSOEVER, AND NATIONAL DISCLAIMS ANY EXPRESS OR IMPLIED WARRANTY RELATING TO THE SALE AND/OR USE OF NATIONAL PRODUCTS INCLUDING LIABILITY OR WARRANTIES RELATING TO FITNESS FOR A PARTICULAR PURPOSE, MERCHANTABILITY, OR INFRINGEMENT OF ANY PATENT, COPYRIGHT OR OTHER INTELLECTUAL PROPERTY RIGHT.

LIFE SUPPORT POLICY

NATIONAL'S PRODUCTS ARE NOT AUTHORIZED FOR USE AS CRITICAL COMPONENTS IN LIFE SUPPORT DEVICES OR SYSTEMS WITHOUT THE EXPRESS PRIOR WRITTEN APPROVAL OF THE CHIEF EXECUTIVE OFFICER AND GENERAL COUNSEL OF NATIONAL SEMICONDUCTOR CORPORATION. As used herein:

Life support devices or systems are devices which (a) are intended for surgical implant into the body, or (b) support or sustain life and whose failure to perform when properly used in accordance with instructions for use provided in the labeling can be reasonably expected to result in a significant injury to the user. A critical component is any component in a life support device or system whose failure to perform can be reasonably expected to cause the failure of the life support device or system or to affect its safety or effectiveness.

National Semiconductor and the National Semiconductor logo are registered trademarks of National Semiconductor Corporation. All other brand or product names may be trademarks or registered trademarks of their respective holders.

Copyright© 2008 National Semiconductor Corporation

For the most current product information visit us at www.national.com



**National Semiconductor
Americas Technical
Support Center**
Email: support@nsc.com
Tel: 1-800-272-9959

**National Semiconductor Europe
Technical Support Center**
Email: europe.support@nsc.com
German Tel: +49 (0) 180 5010 771
English Tel: +44 (0) 870 850 4288

**National Semiconductor Asia
Pacific Technical Support Center**
Email: ap.support@nsc.com

**National Semiconductor Japan
Technical Support Center**
Email: jpn.feedback@nsc.com