



# TDA8262HN

Fully integrated satellite tuner

Rev. 01 — 14 December 2004

Product data sheet

## 1. General description

The direct conversion QPSK demodulator is the front-end receiver dedicated to digital TV broadcasting, satisfying both DVB-S and DBS TV standards. The wide range oscillator (from 950 MHz to 2175 MHz) covers the American, European and Asian satellite bands, as well as the SMA-TV US standard.

The Zero-IF (ZIF) concept discards traditional IF filtering and intermediate conversion techniques.

Gain-controlled amplifiers in the RF guarantee optimum signal level. The variable gain is controlled by the signal returned from the Satellite Demodulator and Decoder (SDD) and applied to pin AGC.

The integrated LNA allows the IC to be directly connected to the LNB output. The LNA can be by-passed by an I<sup>2</sup>C-bus selectable attenuation, providing a 20 dB extra attenuation in order to handle higher input signal levels of up to 0 dBm per channel.

An integrated loop-through realizes a copy of the input RF signal for another downconverter. This feature offers a BOM reduction and simplifies the application for dual channel demodulation like watch and record.

Connected at the RF input, an RMS level detector provides through I<sup>2</sup>C-bus read mode the full band input signal level.

The LO quadrature outputs are derived from a high performance integrated LC oscillator.

Its frequency is:  $\frac{f_{LO}}{N} = \frac{f_{XTAL}}{R}$ . Thanks to the low phase noise performance of the

integrated LC oscillator which controls the LO frequency, the synthesizer offers a good performance for phase noise in the satellite band. The step size of the LO output frequency is equal to the comparison frequency.

Control data is entered via the I<sup>2</sup>C-bus. The bus can be either 5.0 V or 3.3 V, allowing compatibility with most of existing microcontrollers.

An 8-byte frame is required to address the device and to program the main divider ratio, the reference divider ratio, the charge-pump current and the operating mode.

A flag is set when the loop is in-lock, readable during read operations, as well as the Power-on reset flag and RF input level.

The device has four selectable I<sup>2</sup>C-bus addresses. Applying a specific voltage to pin AS selects an address. This feature gives the possibility to use up to four TDA8262HN ICs in the same system.

# PHILIPS

## 2. Features

- Direct conversion QPSK and 8PSK demodulation (ZIF)
- 3.3 V DC supply voltage (no 30 V required)
- Power-down modes selectable by bus
- 950 MHz to 2175 MHz frequency range
- High range input level;
  - ◆ -70 dBm to -15 dBm at 75 Ω (normal mode)
  - ◆ Up to 0 dBm (20 dB attenuation configuration).
- Low noise RF input (integrated LNA)
- RF loop-through
- 0 dB to 55 dB continuous variable gain on RF input
- RF input level detector
- Switchable 0 dB to 9 dB additional gain on baseband output amplifier
- High AGC linearity (< 0.7 dB/step when used with an 8-bit DAC), AGC controlled voltage between 0.3 V and 3 V
- Programmable 5 MHz to 36 MHz 5th-order baseband filters for I and Q paths
- Fully integrated PLL frequency synthesizer
- Low phase noise fully integrated oscillator
- Operation from a 16 MHz crystal or external clock
- 5 frequency steps from 125 kHz to 2 MHz
- Crystal frequency output to drive the demodulator IC
- Compatible with 5 V and 3.3 V I<sup>2</sup>C-bus
- Fully compatible and easy to interface with the PS digital satellite demodulators family
- 32-pin low thermal resistance package.

## 3. Applications

- Direct Broadcasting Satellite (DBS) QPSK demodulation
- Digital Video Broadcasting (DVB) QPSK demodulation
- BS digital 8PSK demodulation
- DVB-S2 8PSK demodulation.

## 4. Quick reference data

Table 1: Quick reference data

Symbol	Parameter	Conditions	Min	Typ	Max	Unit
V <sub>CC</sub>	supply voltage		3.15	3.3	3.45	V
I <sub>CC</sub>	supply current		-	175	-	mA
f <sub>osc</sub>	oscillator frequency		950	-	2175	MHz
ΔΦ	absolute quadrature error	measured at 10 MHz	0	-	5	degree
V <sub>O(I/Q)(rms)</sub>	recommended I and Q output voltage RMS value (QPSK signals)		<a href="#">1</a>	200	-	mV
f <sub>LPF</sub>	LPF cut-off frequency	5-bit controlled	-	5 to 36	-	MHz

Table 1: Quick reference data ...continued

Symbol	Parameter	Conditions	Min	Typ	Max	Unit
$\Phi N_{osc}$	oscillator phase noise in the satellite band	100 kHz offset; $f_{comp} = 1$ MHz	[2]	-	-100	-94 dBc/Hz
$SNF_{SB}$	synthesizer noise floor in the satellite band	1 kHz and 10 kHz offset; $f_{comp} = 1$ MHz	[2]	-	-	-78 dBc/Hz
AGC	amplifier gain control range		55	60	-	dB
$T_{amb}$	ambient temperature		-20	-	+85	°C

[1] The product is qualified with an output voltage of 550 mV (p-p) differential, however larger values can be used at baseband outputs that might have impact on the product performance.

[2] Phase noise in optimal conditions, see related application note.

## 5. Typical performances

- Noise figure at maximum gain: 8 dB
- High linearity:
  - $IIP_2 = +2$  dBm at -20 dBm input and 2.15 GHz
  - $IIP_3 = +6$  dBm at -20 dBm input and 2.15 GHz.
- Low synthesizer noise floor: -78 dBc/Hz at 1 kHz and 10 kHz offset with  $f_{comp} = 1$  MHz
- AGC linearity: < 0.7 dB/step with a 8-bit DAC
- Maximum I/Q amplitude mismatch: 1 dB
- Maximum I/Q quadrature mismatch: 5°
- Symbol rates: from 1 MBd to 45 MBd.

## 6. Ordering information

Table 2: Ordering information

Type number	Package		
	Name	Description	Version
TDA8262HN	HVQFN32	plastic thermal enhanced very thin quad flat package; no leads; 32 terminals; body 5 × 5 × 0.85 mm	SOT617-1

## 7. Block diagram

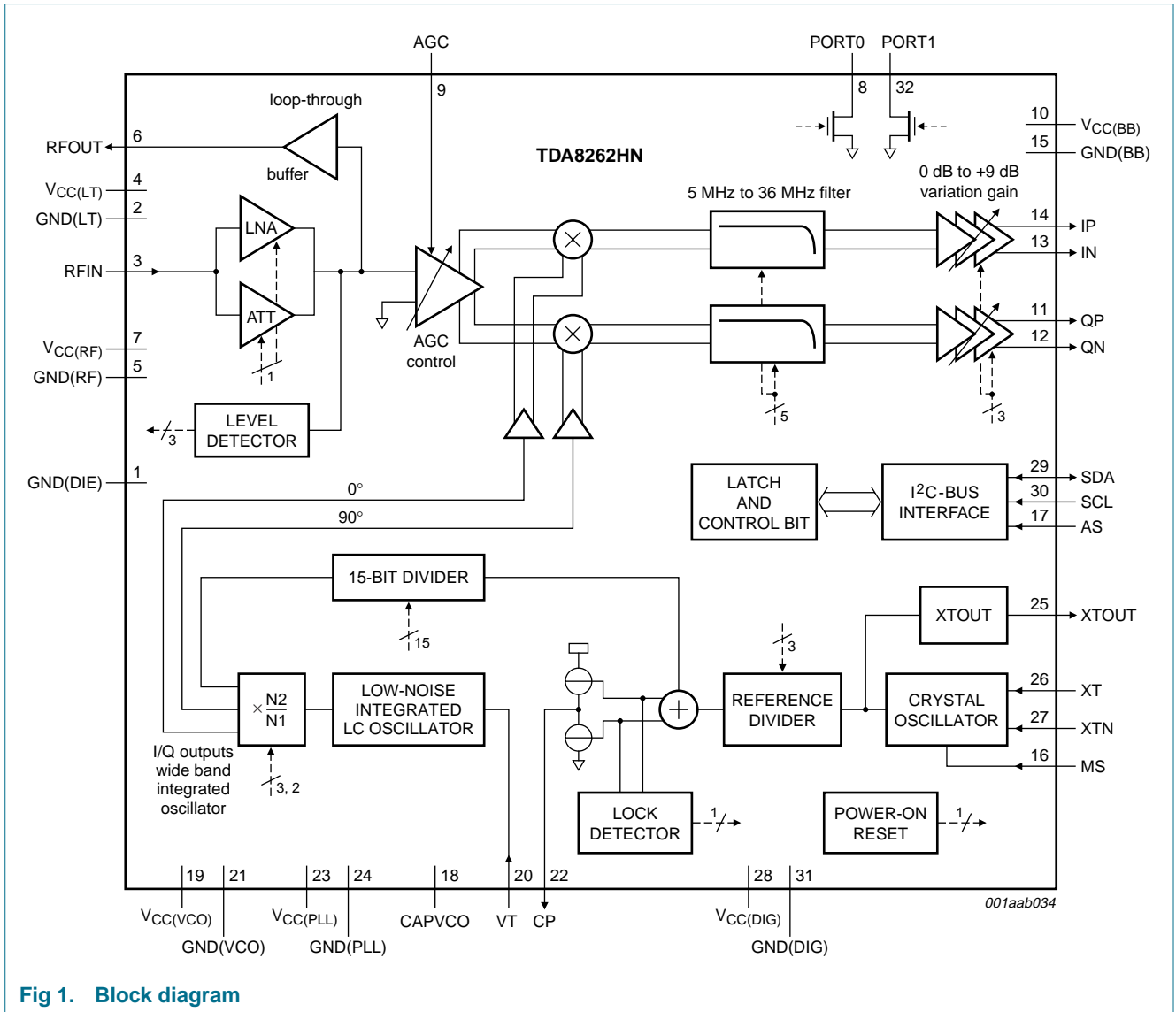
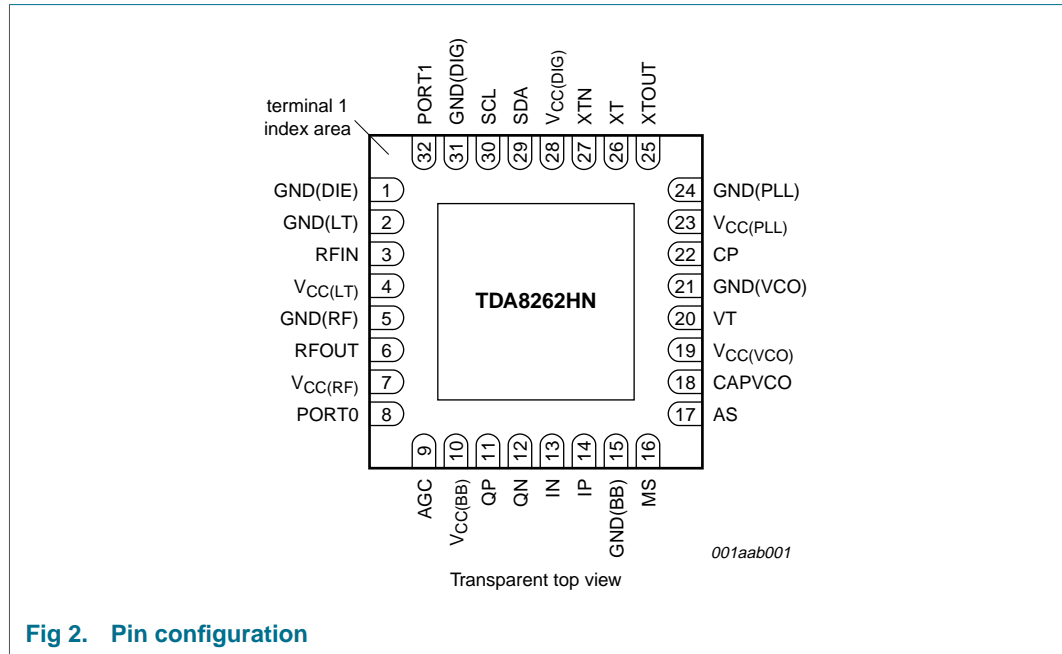


Fig 1. Block diagram

## 8. Pinning information

### 8.1 Pinning



### 8.2 Pin description

Table 3: Pin description

Symbol	Pin	Description
GND(DIE)	1	isolation ground
GND(LT)	2	LNA and loop-through ground
RFIN	3	RF input
V <sub>CC</sub> (LT)	4	LNA and loop-through supply voltage
GND(RF)	5	RF ground
RFOUT	6	RF output
V <sub>CC</sub> (RF)	7	RF supply voltage
PORT0	8	pull-down port 0
AGC	9	automatic gain control input
V <sub>CC</sub> (BB)	10	baseband supply voltage
QP	11	Q positive output
QN	12	Q negative output
IN	13	I negative output
IP	14	I positive output
GND(BB)	15	baseband ground
MS	16	master/slave crystal oscillator mode input
AS	17	address select input
CAPVCO	18	internal LC VCO regulation capacitor

Table 3: Pin description ...continued

Symbol	Pin	Description
V <sub>CC(VCO)</sub>	19	VCO supply voltage
VT	20	VCO tuning voltage input
GND(VCO)	21	VCO ground
CP	22	charge pump output
V <sub>CC(PLL)</sub>	23	PLL supply voltage
GND(PLL)	24	PLL ground
XTOUT	25	16 MHz frequency for external ICs output
XT	26	16 MHz crystal oscillator input
XTN	27	16 MHz crystal oscillator input
V <sub>CC(DIG)</sub>	28	digital supply voltage
SDA	29	I <sup>2</sup> C-bus data input/output
SCL	30	I <sup>2</sup> C-bus clock input
GND(DIG)	31	digital ground
PORT1	32	pull-down port 1

## 9. Tuner configuration

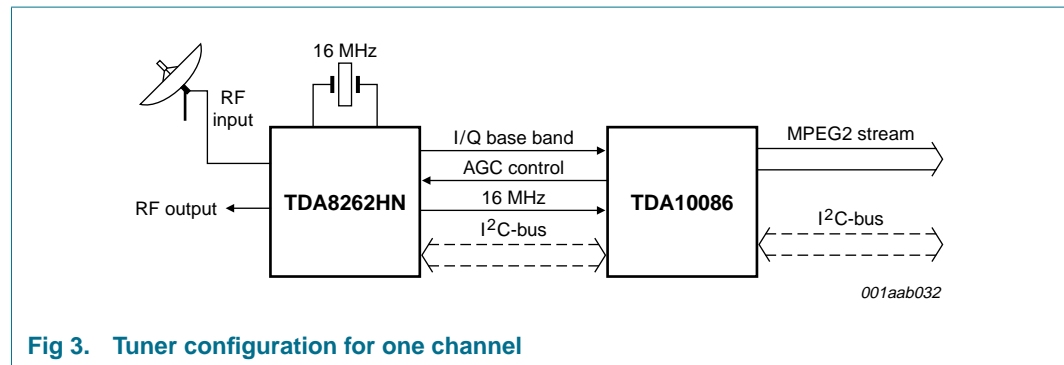


Fig 3. Tuner configuration for one channel

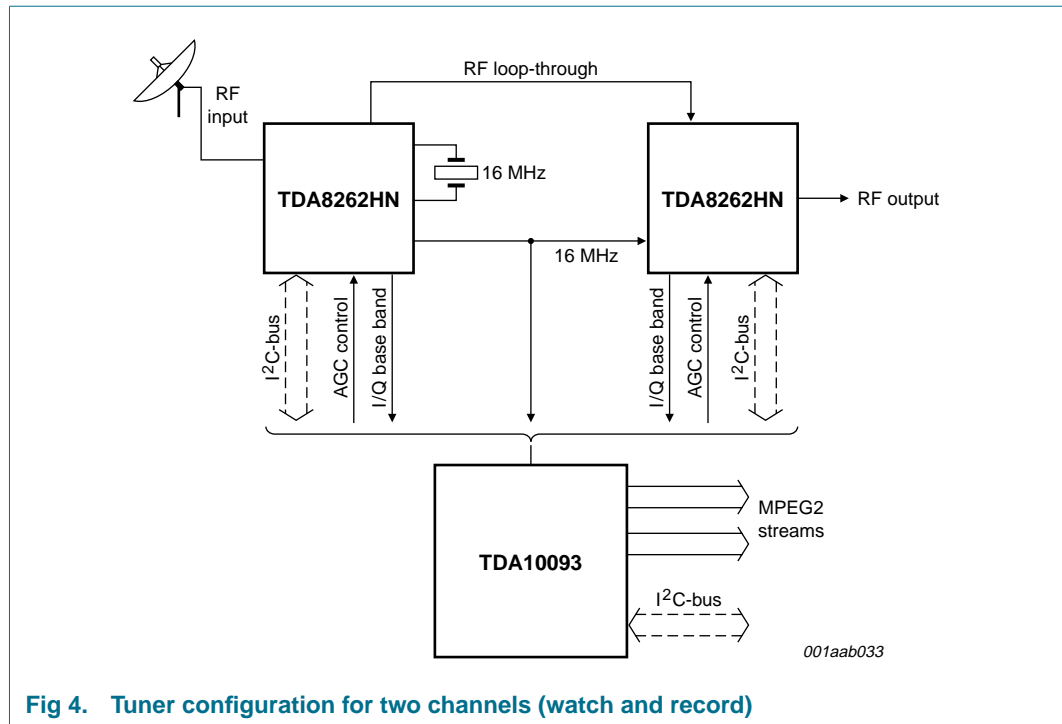


Fig 4. Tuner configuration for two channels (watch and record)

## 10. Functional description

The TDA8262HN contains the core of the RF analog part of a digital satellite receiver. The signal coming from the LNB is coupled to the RF inputs. The internal circuitry performs the Zero-IF quadrature frequency conversion and two in-phase (IP/IN) and two quadrature (QP/QN) output signals can directly be used to feed a Satellite Demodulator and Decoder circuit (SDD). Low pass filter cut-off frequency can be adjusted from 5 MHz to 36 MHz in 32 steps. This allows a large flexibility in the SDD input. 10 gain values are present at output amplifier to compensate cut-off frequency adjustment and single output application.

The IC gain controlled amplifier before the mixer is controlled by the SDD through pin AGC.

An input level detector gives the wide band RF level. This information is available through I<sup>2</sup>C-bus in read mode.

The internal loop controls a fully integrated VCO, to cover the range from 950 MHz to 2175 MHz. This VCO provides both in phase and quadrature signals to drive the two mixers.

The output of the 15-bit programmable divider passes through the phase comparator where it is compared in both phase and frequency to the comparison frequency ( $f_{comp}$ ). This  $f_{comp}$  is derived from the signal present at the XT/XTN pins ( $f_{XTAL}$ ), divided down in the reference divider. The buffered signal on pin XTOUT is able to drive the crystal frequency input of the SDD, which saves a crystal in the application.

The output of the phase comparator drives the charge pump and loop amplifier section. Pin CP is the output of the charge pump, and pin VT drives the tuning voltage to the varicap diode of the voltage controlled oscillator. The loop filter has to be connected between pins CP and VT.

For test and alignment purposes, it is possible to release the tuning voltage output and to apply an external voltage on the VT pin, as well as to select the charge pump sink, source or off.

Three independent area of power-down are available by programming I<sup>2</sup>C-bus:

- Loop-through part
- RF and synthesizer part
- Crystal oscillator and XTOUT part.

### 10.1 Gain distribution

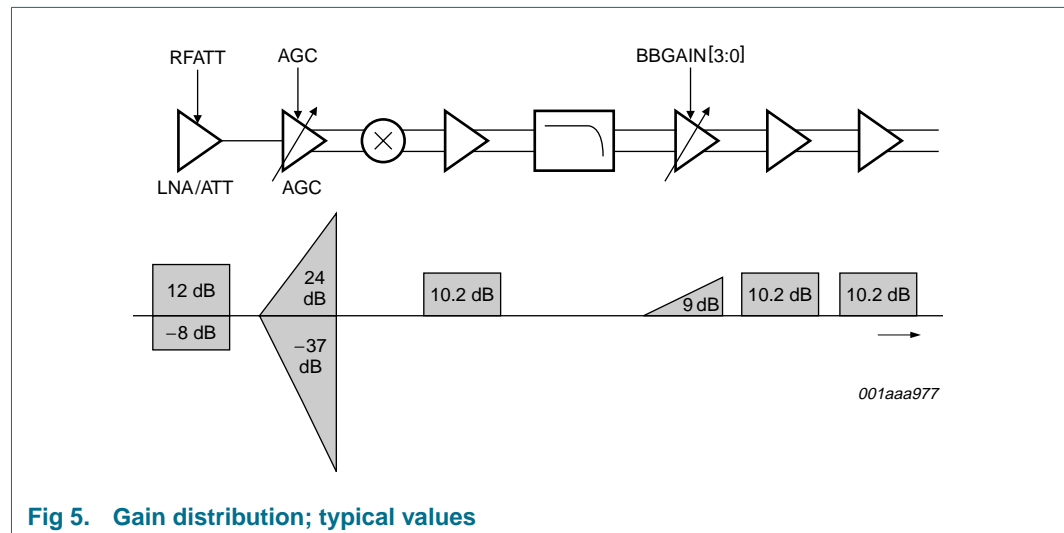


Fig 5. Gain distribution; typical values

## 11. Programming

The programming of the TDA8262HN is done through the I<sup>2</sup>C-bus. The READ/WRITE selection is done through the R/W bit (address LSB). The TDA8262 fulfils the fast mode I<sup>2</sup>C-bus specification, according to the *Philips I<sup>2</sup>C-bus specification, see document 9398 393 40011*.

### 11.1 I<sup>2</sup>C-bus inputs

The I<sup>2</sup>C-bus lines SCL and SDA can be connected to an I<sup>2</sup>C-bus system tied to either 3.3 V or 5.0 V, which allows direct connection to most of existing microcontrollers.

Data transfer format should be MSB first, and 8-bit word + acknowledge bit.

Pins used for the I<sup>2</sup>C-bus:

- Pin SCL is the clock input
- Pin SDA is the data input/output



- Pin AS is for address selection.

## 11.2 Address selection

Table 4: Address selection (pin AS)

Voltage on pin AS	Write address	Read address
0 V to $0.1 \times V_{CC}$	C0	C1
$0.2 \times V_{CC}$ to $0.3 \times V_{CC}$ or open pin	C2	C3
$0.4 \times V_{CC}$ to $0.6 \times V_{CC}$	C4	C5
$0.9 \times V_{CC}$ to $V_{CC}$	C6	C7

## 11.3 Master-slave selection

Table 5: Master-slave selection (pin MS)

Voltage on pin MS	Crystal oscillator mode
0 V to $0.1 \times V_{CC}$	master
$0.9 \times V_{CC}$ to $V_{CC}$	slave

## 11.4 Data transfer in write mode

The data transfer in write mode use the following pattern:

Table 6: I<sup>2</sup>C-bus write mode data transfer pattern

START	address	ack	subaddress	ack	data 1	ack	data 2	ack	data n	ack	STOP
-------	---------	-----	------------	-----	--------	-----	--------	-----	--------	-----	------

Subaddress is automatically incremented starting from the initial value.

## 11.5 I<sup>2</sup>C-bus table in write mode

Table 7: I<sup>2</sup>C-bus write mode map

Subaddress (hex)	MSB								LSB
	7	6	5	4	3	2	1	0	
0X	PDPLL	PDZIF	PDLOOPT	PDXTOUT	PDRSSI	PDLNA	PDXTAL	TEST1	
1X	R2	R1	R0	D4	D3	D2	D1	D0	
2X	N14	N13	N12	N11	N10	N9	N8	N7	
3X	N6	N5	N4	N3	N2	N1	N0	CALMANUAL	
4X	FC4	FC3	FC2	FC1	FC0	-	-	-	
5X	BBGAIN3	BBGAIN2	BBGAIN1	BBGAIN0	-	-	-	RFATT	
6X	CPCURSEL	CPTST	FUP	FDN	CP2TST	FPPD2	CPHIGH	-	
7X	AMPVCO2	AMPVCO1	AMPVCO0	-	-	-	PORT1	PORT0	
8X	CALTIME	-	-	SELVTH1	SELVTH0	SELVTL1	SELVTL0	-	
9X	BBIAS3	BBIAS2	BBIAS1	BBIAS0	-	-	-	-	

### 11.6 I<sup>2</sup>C-bus table in write mode (default at POR)

Table 8: I<sup>2</sup>C-bus write mode map (default at POR) [1]

Subaddress (hex)	MSB								LSB
	7	6	5	4	3	2	1	0	
0X	0	0	0	0	1	0	0	1	
1X	0	0	1	0	0	0	0	0	
2X	0	0	0	0	0	0	0	1	
3X	0	0	0	0	0	0	0	1	
4X	0	0	0	0	0	-	-	-	
5X	0	0	0	0	-	-	-	0	
6X	0	0	X	X	0	X	0	-	
7X	1	0	0	-	-	-	0	0	
8X	0	-	-	0	0	0	0	-	
9X	0	0	0	0	-	-	-	-	

[1] X means don't care.

### 11.7 Bit description I<sup>2</sup>C-bus write mode

Table 9: Power-down section

Bit	Description	State
PDPLL	power-down of all the synthesizer part	0 = function on; 1 = function off
PDZIF	power-down of all signal decoding part except LNA, RSSI and loop-through	0 = function on; 1 = function off
PDLOOPT	power-down of the loop-through	0 = function on; 1 = function off
PDXTOUT	power-down of the XTOUT output	0 = function on; 1 = function off
PDRSSI	power-down of the input level detector (RSSI)	0 = function on; 1 = function off
PDLNA	power-down of the low noise amplifier	0 = function on; 1 = function off
PDXTAL	power-down of the crystal oscillator	0 = function on; 1 = function off
TEST1	used for test purposes only	must be logic 1

Table 10: Reference divider range; bits R[2:0]

These bits select the ratio between the comparison frequency and the crystal frequency.

R2	R1	R0	Decimal	Comparison frequency
0	0	0	0	2 MHz
0	0	1	1	1 MHz
0	1	0	2	500 kHz
0	1	1	3	250 kHz
1	0	0	4	125 kHz
1	0	1	5	125 kHz
1	1	0	6	125 kHz
1	1	1	7	125 kHz

**Table 11: VCO preprogramming range; bits D[4:0]**

These bits are also called Dword: It determines the ratio between LO frequency and VCO frequency. The bits are used for the calibration protocol of the internal VCO.

D4	D3	D2	D1	D0	Decimal	Ratio $f_{LO}$ to $f_{VCO}$
0	0	0	0	0	0	0.27
0	0	0	0	1	1	0.29
0	0	0	1	0	2	0.31
0	0	0	1	1	3	0.33
0	0	1	0	0	4	0.36
0	0	1	0	1	5	0.36
0	0	1	1	0	6	0.38
0	0	1	1	1	7	0.40
0	1	0	0	0	8	0.42
0	1	0	0	1	9	0.43
0	1	0	1	0	10	0.44
0	1	0	1	1	11	0.45
0	1	1	0	0	12	0.46
0	1	1	0	1	13	0.47
0	1	1	1	0	14	0.50
0	1	1	1	1	15	0.54
1	0	0	0	0	16	0.55
1	0	0	0	1	17	0.56
1	0	0	1	0	18	0.58
1	0	0	1	1	19	0.60
1	0	1	0	0	20	0.63
1	0	1	0	1	21	0.64
1	0	1	1	0	22	0.67
1	0	1	1	1	23	0.70
1	1	0	0	0	24	0.75
1	1	0	0	1	25	0.78
1	1	0	1	0	26	0.88
1	1	0	1	1	27	0.88
1	1	1	0	0	28	0.88
1	1	1	0	1	29	0.88
1	1	1	1	0	30	0.88
1	1	1	1	1	31	0.88

**Table 12: Main divider range; bits N[14:0]**

These bits control the ratio between the LO frequency and the comparison frequency.

N[14:0]	Ratio
Binary value	The ratio N is equal to $N_{14} \times 2^{14} + N_{13} \times 2^{13} + \dots + N_1 \times 2^1 + N_0$

**Table 13: Selects manual or automatic LC oscillator calibration; bit CALMANUAL**

This bit controls the LC VCO frequency programming mode.

CALMANUAL	Action
0	automatic process control; the LC VCO searches the better ratio of the Dword to have the optimum tuning frequency
1	manual process control; the LC VCO is tuned by selecting the programmed Dword

**Table 14: RX baseband cut-off frequency control; bits FC[4:0]:**

The register selects the cut-off frequency of the RX baseband filter. The cut-off frequency can be set from 5 MHz to 36 MHz in 32 steps of 1 MHz

FC4	FC3	FC2	FC1	FC0	Decimal	Baseband cut-off frequency (MHz) <sup>[1]</sup>
0	0	0	0	0	0	5
0	0	0	0	1	1	6
0	0	0	1	0	2	7
0	0	0	1	1	3	8
0	0	1	0	0	4	9
0	0	1	0	1	5	10
0	0	1	1	0	6	11
0	0	1	1	1	7	12
0	1	0	0	0	8	13
0	1	0	0	1	9	14
0	1	0	1	0	10	15
0	1	0	1	1	11	16
0	1	1	0	0	12	17
0	1	1	0	1	13	18
0	1	1	1	0	14	19
0	1	1	1	1	15	20
1	0	0	0	0	16	21
1	0	0	0	1	17	22
1	0	0	1	0	18	23
1	0	0	1	1	19	24
1	0	1	0	0	20	25
1	0	1	0	1	21	26
1	0	1	1	0	22	27
1	0	1	1	1	23	28
1	1	0	0	0	24	29
1	1	0	0	1	25	30
1	1	0	1	0	26	31
1	1	0	1	1	27	32
1	1	1	0	0	28	33

**Table 14: RX baseband cut-off frequency control; bits FC[4:0]: ...continued**

The register selects the cut-off frequency of the RX baseband filter. The cut-off frequency can be set from 5 MHz to 36 MHz in 32 steps of 1 MHz

FC4	FC3	FC2	FC1	FC0	Decimal	Baseband cut-off frequency (MHz) [1]
1	1	1	0	1	29	34
1	1	1	1	0	30	35
1	1	1	1	1	31	36

[1] Typical values at nominal process and room temperature.

**Table 15: RX baseband gain control; bits BBGAIN[3:0]**

These bits control the additional gain of the baseband between 0 dB and 9dB

BBGAIN3	BBGAIN2	BBGAIN1	BBGAIN0	Decimal	Additional gain in dB [1]
0	0	0	0	0	0
0	0	0	1	1	0
0	0	1	0	2	0
0	0	1	1	3	0
0	1	0	0	4	0
0	1	0	1	5	1.6
0	1	1	0	6	3
0	1	1	1	7	4.6
1	0	0	0	8	6.3
1	0	0	1	9	7.3
1	0	1	0	10	8.2
1	0	1	1	11	8.5
1	1	0	0	12	8.8
1	1	0	1	13	8.8
1	1	1	0	14	9
1	1	1	1	15	9

[1] Typical values at nominal process and room temperature.

**Table 16: 20 dB RF attenuation control; bit RFATT**

This bit controls the RF attenuation inside the LNA amplifier.

RFATT	Action
0	normal gain of RF path
1	20 dB attenuation. When active, the LNA works in attenuation (–8 dB gain). The loop-through signal is also attenuated by 20 dB.

**Table 17: Select main loop charge-pump current; bit CPCURSEL**

CPCURSEL	Action
0	low charge-pump current
1	high charge-pump current

**Table 18: Main loop charge pump test; bits CPTST, FUP and FDN**

These bits force the inputs of the main loop charge pump. Thus the current and leakage measurement could be done. This test could be used also to force the LC VCO at its maximum or minimum tuning voltage.

CPTST	FUP	FDN	Actions
0	X	X	test disable
1	0	0	sink and source off; leakage measurement
1	0	1	sink off and source on; source measurement
1	1	0	sink on and source off; sink measurement
1	1	1	sink on and source on

**Table 19: Second loop charge pump test; bits CP2TST and FPF2**

These bits force the inputs of the second loop charge pump. This test could be used to force the LO VCO at its maximum or minimum tuning voltage.

CP2TST	FPF2	Actions
0	X	test disable
1	0	sink on and source off; LO VCO maximum frequency measurement
1	1	sink off and source on; LO VCO minimum frequency measurement

**Table 20: Select main loop charge-pump current; bit CPHIGH**

CPHIGH	Action
0	first charge pump active (low currents)
1	second charge pump active (high currents)

**Table 21: Amplitude of the internal VCO; bits AMPVCO[2:0]**

These bits control the amplitude of the internal LC VCO.

AMPVCO[2:0]	Value
Binary value	The allowed value is AMPVCO[2:0] = 100 (decimal 4). The product is specified only with this value, other settings may lead to different performance.

**Table 22: Control port output; bits PORT[1:0]**

Bit PORT1 controls the use of PORT1 and bit PORT0 controls the use of PORT0. Outputs PORTn are realized with open-drain NMOS transistors.

PORTn	Action
0	PORTn at high-impedance
1	PORTn in sink mode; minimum 9 mA drive capability

**Table 23: Calibration wait time control; bit CALTIME**

This bit controls the duration of the wait time of the calibration. This time is used to wait PLL locking after programming a Dword. The reference clock of the time is the comparison frequency of the PLL

CALTIME	f <sub>c</sub> divider ratio	Wait time for f <sub>comp</sub> = 1 MHz (ms)
0	28673	28.673
1	32769	32.769

**Table 24: Maximum voltage tuning threshold for calibration control; bits SELVTH[1:0]**

These bits control the voltage threshold for the ACUP comparator. The ACUP and ACDN comparators sense the LC VCO tuning voltage at pin VT.

SELVTH1	SELVTH0	Decimal	Threshold VTH (V) [1] [2]
0	0	0	1.8
0	1	1	1.9
1	0	2	2.0
1	1	3	2.1

[1] Typical values at nominal process and room temperature.

[2] The recommended value is SELVTH[1:0] = 11 (decimal 3).

**Table 25: Minimum voltage tuning threshold for calibration control; bits SELVTL[1:0]**

These bits control the voltage threshold for the ACDN comparator. The ACUP and ACDN comparators sense the LC VCO tuning voltage at pin VT.

SELVTL1	SELVTL0	Decimal	Threshold VTL (V) [1] [2]
0	0	0	0.6
0	1	1	0.5
1	0	2	0.4
1	1	3	0.3

[1] Typical values at nominal process and room temperature.

[2] The recommended value is SELVTL[1:0] = 01 (decimal 1).

**Table 26: Baseband bias current control; bits BBIAS[3:0]**

This register modifies the baseband bias current through different parts: Output buffer or other amplifier.

BBIAS[3:0]	Value
Binary value	The allowed value is BBIAS[3:0] = 1101 (decimal 13). The product is specified only with this value, other settings may lead to different performance.

## 11.8 Data transfer in read mode

The data transfer in read mode use the following pattern.

**Table 27: I<sup>2</sup>C-bus read mode data transfer pattern**

START	address	ack	data 1	ack	data 2	ack	STOP
-------	---------	-----	--------	-----	--------	-----	------

## 11.9 I<sup>2</sup>C-bus table in read mode

**Table 28: I<sup>2</sup>C-bus read mode map [1]**

Byte	MSB								LSB
	7	6	5	4	3	2	1	0	
0	POR	LOCK	ACUP	ACDN	ERRORCAL	X	X	X	
1	1	INLEVEL1	INLEVEL0	DW4	DW3	DW2	DW1	DW0	

[1] X can be 1 or 0 and needs to be masked in the microcontrollers' software; MSB is transmitted first.

## 11.10 Bit description I<sup>2</sup>C-bus read mode

**Table 29: Power-on reset; bit POR**

POR	Action
0	Normal operation
1	This bit is set to logic 1 at the $V_{CC(DIG)}$ power supply ramp-up. It is reset to logic 0 after the first read of the IC. When $V_{CC(DIG)}$ falls below 2 V typical, this bit is set to logic 1. This is to prevent loss in internal I <sup>2</sup> C-bus registers programming.

**Table 30: Synthesizer lock indicator; bit LOCK**

LOCK	Action
0	synthesizer is not locked
1	synthesizer is locked

**Table 31: Auto calibration up threshold control; bit ACUP**

ACUP	Action
0	LC VCO tuning voltage is lower than VTH (see <a href="#">Table 24</a> )
1	LC VCO tuning voltage is higher than VTH (see <a href="#">Table 24</a> )

**Table 32: Auto calibration down threshold control; bit ACDN**

ACDN	Action
0	LC VCO tuning voltage is higher than VTL (see <a href="#">Table 25</a> )
1	LC VCO tuning voltage is lower than VTL (see <a href="#">Table 25</a> )

**Table 33: Calibration defect detection; bit ERRORCAL**

ERRORCAL	Action
0	no defect detected
1	calibration unit control tries to go lower than the minimum or higher than the maximum Dword ratio

**Table 34: RF input level indicator; bits INLEVEL[1:0]**

This register gives the RF input level in dBm

INLEVEL1	INLEVEL0	Decimal	RF power (dBm) <sup>[1]</sup>
0	0	0	< -30
0	1	1	-30 to -20
1	0	2	-20 to -15
1	1	3	> -15

[1] Typical values at nominal process and room temperature. Values are valid only when LNA path is selected (bit RFATT = 0).

**Table 35: Internal Dword register; bits DW[4:0]**

This register gives the internal Dword value. This value could be the programmed D[4:0] value in manual mode or the calculated value after LC VCO calibration in automatic mode.

DW[4:0]	Description
Binary value	The $f_{LO}$ to $f_{VCO}$ ratio is the same as shown in <a href="#">Table 11</a>



## 12. Internal circuitry

Table 36: Internal circuitry

Symbol	Pin	Equivalent circuit
RFIN	3	
RFOUT	6	
PORT0	8	
AGC	9	
QP	11	
QN	12	

Table 36: Internal circuitry ...continued

Symbol	Pin	Equivalent circuit
IN	13	
IP	14	
MS	16	
AS	17	
CAPVCO	18	
VT	20	

Table 36: Internal circuitry ...continued

Symbol	Pin	Equivalent circuit
CP	22	<p>001aaa990</p>
XTOUT	25	<p>001aaa991</p>
XT	26	<p>001aaa992</p>
XTN	27	<p>001aaa993</p>
SDA	29	<p>001aaa994</p>
SCL	30	<p>001aaa995</p>

Table 36: Internal circuitry ...continued

Symbol	Pin	Equivalent circuit
PORT1	32	

### 13. Limiting values

Table 37: Limiting values

In accordance with the Absolute Maximum Rating System (IEC 60134). [1]

Symbol	Parameter	Conditions	Min	Max	Unit
$V_{CC}$	supply voltage		-0.5	+3.6	V
$V_I$	input voltage	pins SDA, SCL, PORT1 and PORT0	-0.3	+5.5	V
		pin RFIN	-0.3	$V_{CC} - 0.3$	V
		all other pins			
		$V_{CC} < 3.3$ V	-0.3	$V_{CC} + 0.3$	V
		$V_{CC} \geq 3.3$ V	-0.3	+3.6	V
$T_{amb}$	ambient temperature		-20	+85	°C
$T_{stg}$	storage temperature		-40	+125	°C
$T_j$	junction temperature		-	125	°C
$t_{sc}$	short circuit time		[2] -	10	s
$V_{esd}$	electrostatic discharge voltage	human body model			
		pin PORT0 (pin 8)	-	±1000	V
		all other pins	[3] -	±2000	V
		machine model	[4] -	±200	V

[1] Maximum ratings cannot be exceeded, not even momentarily without causing irreversible damages to the IC. Maximum ratings cannot be accumulated.

[2] Each pin to  $V_{CC}$  or GND; except RFIN pin which should never exceed  $V_{CC} - 0.3$  V.

[3] Test in accordance with JEDEC specification EIA/JESD22-114B.

[4] Test in accordance with JEDEC specification EIA/JESD22-A115-A.

### 14. Thermal characteristics

Table 38: Thermal characteristics

Symbol	Parameter	Conditions	Typ	Unit
$R_{th(j-a)}$	thermal resistance junction to ambient	JEDEC 4 layer test board with 9 thermal vias (exposed die pad soldered on board)	43	K/W

## 15. Characteristics

**Table 39: Characteristics**

$T_{amb} = 25\text{ }^{\circ}\text{C}$ ;  $V_{CC} = 3.3\text{ V}$ ; output level on differential I/Q output is 550 mV (p-p); unless otherwise specified.

Symbol	Parameter	Conditions	Min	Typ	Max	Unit	
<b>Supply</b>							
$V_{CC}$	supply voltage		3.15	3.3	3.45	V	
$I_{CC}$	supply current	all power-down bits are 0	-	175	-	mA	
		all power-down bits are 1	-	6	-	mA	
		only bits PDXTOUT and PDXTAL are 0	-	30	-	mA	
		only bits PDLNA and PDLOOPT are 0	-	45	-	mA	
$V_{POR}$	voltage limit when POR is active		1.5	-	2.5	V	
<b>RF and Baseband</b>							
$LO_{L(RFIN)}$	LO leakage through RF inputs	between 950 MHz and 2175 MHz	-	-85	-	dBm	
$Z_i$	input impedance		-	75	-	$\Omega$	
$Z_{o(I-t)i}$	loop-through output impedance		-	75	-	$\Omega$	
$Z_{L(I/Q)(max)}$	maximum load on each IP, IN, QP and QN output	single mode	-	10	-	pF	
			-	1	-	k $\Omega$	
$G_{LT}$	LNA to loop-through gain	LNA configuration	-2	-	2	dB	
		attenuated configuration	-	-18	-	dB	
$LO_{L(RFOUT)}$	LO leakage on pin RFOUT	between 950 MHz and 2175 MHz	-	-85	-	dBm	
$RF_{isolation}$	isolation between loop-through and RF input		-	30	-	dB	
$V_{O(I/Q)}$	DC voltage on I/Q output		-	1.65	-	V	
$\Delta G_{V(BB)(min)}$	minimum baseband additional gain	BBGAIN [3:0] = 0h	-	0	-	dB	
$\Delta G_{V(BB)(max)}$	maximum baseband additional gain	BBGAIN [3:0] = Fh	-	9	-	dB	
$V_{O(I/Q)(p-p)}$	typical AC output voltage on differential I/Q output; peak-to-peak value	differential voltage	-	550	-	mV	
$V_{O(I/Q)(rms)}$	recommended I and Q output voltage RMS value (QPSK signals)		[1]	-	200	-	mV
$IIP_2$	second-order interception point at RF input	$f_i = 2150\text{ MHz}$ ; $P_{RFIN} = -20\text{ dBm}$	[2]	-	2	-	dBm
$IIP_3$	third-order interception point at RF input	$P_{RFIN} = -20\text{ dBm}$	[3]				
		$f_i = 2150\text{ MHz}$	-	6	-	dBm	
		$f_i = 950\text{ MHz}$	-	0	-	dBm	
$F$	noise figure	maximum gain; $V_{AGC} = 3\text{ V}$	-	7.7	8.5	dB	
$G_{V(I-Q)(M)}$	voltage gain mismatch between I and Q	measured at 10 MHz; $f_{LPF} = 36\text{ MHz}$	-	-	1	dB	
$G_{V(I/Q)(R)}$	voltage gain ripple for I or Q	$f_{LPF} = 36\text{ MHz}$ ; 22.5 MHz band	-	-	2	dB	
$\Delta\Phi$	absolute quadrature error	measured at 10 MHz; $f_{LPF} = 36\text{ MHz}$	0	-	5	degree	
$t_{d(g)(I-Q)}$	group delay mismatch in between I and Q	$f_{LPF} = 36\text{ MHz}$ ; 22.5 MHz band	-	0	-	ns	

Table 39: Characteristics ...continued

$T_{amb} = 25\text{ }^{\circ}\text{C}$ ;  $V_{CC} = 3.3\text{ V}$ ; output level on differential I/Q output is 550 mV (p-p); unless otherwise specified.

Symbol	Parameter	Conditions	Min	Typ	Max	Unit
$t_{d(g)(I/Q)(R)}$	group delay ripple for I or Q	$f_{LPF} = 36\text{ MHz}$ ; 22.5 MHz band	-	5	-	ns
$\alpha_{60(I/Q)}$	rejection at 60 MHz for I and Q	$f_{LPF} = 36\text{ MHz}$	-	30	-	dB
$f_{LPF(min)}$	minimum filter cut-off frequency	FC [4:0] = 00h	-	5	-	MHz
$f_{LPF(max)}$	maximum filter cut-off frequency	FC [4:0] = 1Fh	-	36	-	MHz
Voltage gain from RF input to IP, IN, QP and QN outputs; differential output; $f_{LPF} = 36\text{ MHz}$ ; BBGAIN[3:0] = 0h.						
$G_{v(LNA)(min)}$	minimum voltage gain for LNA configuration	$V_{AGC} = 0.3\text{ V}$	-	6	-	dB
$G_{v(LNA)(max)}$	maximum voltage gain for LNA configuration	$V_{AGC} = 3\text{ V}$	-	67	-	dB
$G_{v(a)(min)}$	minimum voltage gain for attenuated configuration	$V_{AGC} = 0.3\text{ V}$	-	-14	-	dB
$G_{v(a)(max)}$	maximum voltage gain for attenuated configuration	$V_{AGC} = 3\text{ V}$	-	47	-	dB
AGC	amplifier gain control range		55	60	-	dB

#### VCO and synthesizer

##### VCO

$f_{osc}$	oscillator frequency range		950	-	2175	MHz
$\Phi_{N_{osc}}$	oscillator phase noise in the satellite band	100 kHz offset, out of the PLL bandwidth	[4]	-	-100	-94 dBc/Hz
$SNF_{SB}$	synthesizer noise floor in the satellite band	1 kHz and 10 kHz offset; $f_{comp} = 1\text{ MHz}$	[4]	-	-	-78 dBc/Hz
MDR	main divider ratio		128	-	32767	

##### Crystal oscillator and XTOUT

$Z_{osc}$	crystal oscillator negative impedance	absolute value	500	-	-	$\Omega$
$f_{XTAL}$	crystal frequency		16	16	16	MHz
$Z_{XTAL}$	recommended crystal series resistance		-	-	150	$\Omega$
$V_{o(p-p)}$	output voltage (peak-to-peak value)	crystal oscillator output	550	750	-	mV

##### MS input

$I_h$	high level input current	$V_{MS} = V_{CC}$	-50	-	+50	$\mu\text{A}$
$I_l$	low level input current	$V_{MS} = 0\text{ V}$	-50	-	+50	$\mu\text{A}$

##### Charge pump and tuning voltage

$I_L$	charge pump leakage current		-10	0	+10	nA
$I_{l(min)}$	charge pump low; min current	CPHIGH = 0 and CPCURSEL = 0	0.67	0.9	1.13	mA
$I_{l(max)}$	charge pump low; max current	CPHIGH = 0 and CPCURSEL = 1	0.97	1.3	1.63	mA
$I_{h(min)}$	charge pump high, min current	CPHIGH = 1 and CPCURSEL = 0	1.27	1.7	2.13	mA
$I_{h(max)}$	charge pump high, max current	CPHIGH = 1 and CPCURSEL = 1	1.87	2.5	3.13	mA

##### I<sup>2</sup>C-bus and PORTn

###### SDA/SCL input

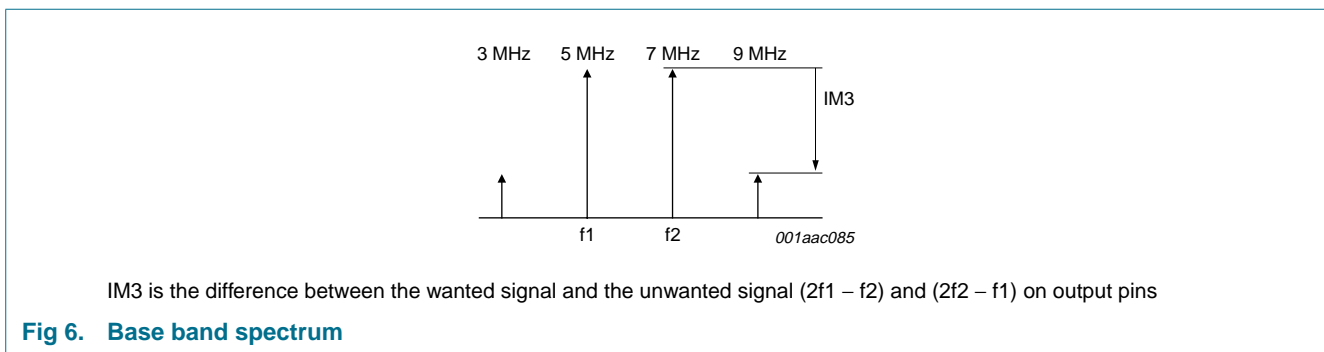
$V_{IL}$	LOW-level input voltage	5 V and 3.3 V bus	-	-	0.99	V
$V_{IH}$	HIGH-level input voltage	5 V and 3.3 V bus	2.3	-	-	V

**Table 39: Characteristics ...continued**

$T_{amb} = 25\text{ }^{\circ}\text{C}$ ;  $V_{CC} = 3.3\text{ V}$ ; output level on differential I/Q output is 550 mV (p-p); unless otherwise specified.

Symbol	Parameter	Conditions	Min	Typ	Max	Unit
$I_{HI}$	HIGH-level leakage current	$V_{IH} = 3.3\text{ V}$ ; $V_{CC} = 0\text{ V}$ or $3.3\text{ V}$	-	-	10	$\mu\text{A}$
$I_{LI}$	LOW-level leakage current	$V_{IL} = 0\text{ V}$ ; $V_{CC} = 3.3\text{ V}$	-10	-	-	$\mu\text{A}$
$f_{SCL}$	input clock frequency		-	-	400	kHz
<b>SDA output</b>						
$V_O$	output voltage during acknowledge	$I_{sink} = 3\text{ mA}$	-	-	0.4	V
<b>AS input</b>						
$I_{ASh}$	high level input current	$V_{AS} = V_{CC}$	-100	-	+100	$\mu\text{A}$
$I_{ASl}$	low level input current	$V_{AS} = 0\text{ V}$	-100	-	+100	$\mu\text{A}$
<b>PORTn</b>						
$V_O$	PORTn maximum output voltage	$I_{sink} = 9\text{ mA}$	-	-	0.4	V

- [1] The product is qualified with an output voltage of 550 mV (p-p) differential, however larger values can be used at baseband outputs that might have impact on the product performance.
- [2]  $IIP_2 = -20 + (P1 - P2)$  [dBm].  
 Wanted signal: RF1 is 2140 MHz,  $P_{RFIN} = -20$  dBm, and the AGC adjusted to get 550 mV (p-p) on the differential output. The output level is P1.  
 Unwanted signal: RF1 is 1040 MHz and  $P_{RFIN} = -20$  dBm and RF2 is 1100 MHz and  $P_{RFIN} = -20$  dBm. The output level of (RF1 + RF2) on the output pins is P2.
- [3]  $IIP_3 = -23 + \frac{IM3}{2}$  [dBm], see [Figure 6](#)  
 Wanted signal: RF1 is LO + 5 MHz,  $P_{RFIN} = -20$  dBm, and the AGC adjusted to get 550 mV (p-p) on the differential output.  
 Unwanted signal: RF1 is LO + 5 MHz and  $P_{RFIN} = -23$  dBm and RF2 is LO + 7 MHz and  $P_{in} = -23$  dBm
- [4] Phase noise in optimal conditions, see related application note.



IM3 is the difference between the wanted signal and the unwanted signal  $(2f_1 - f_2)$  and  $(2f_2 - f_1)$  on output pins

**Fig 6. Base band spectrum**

## 16. Application information

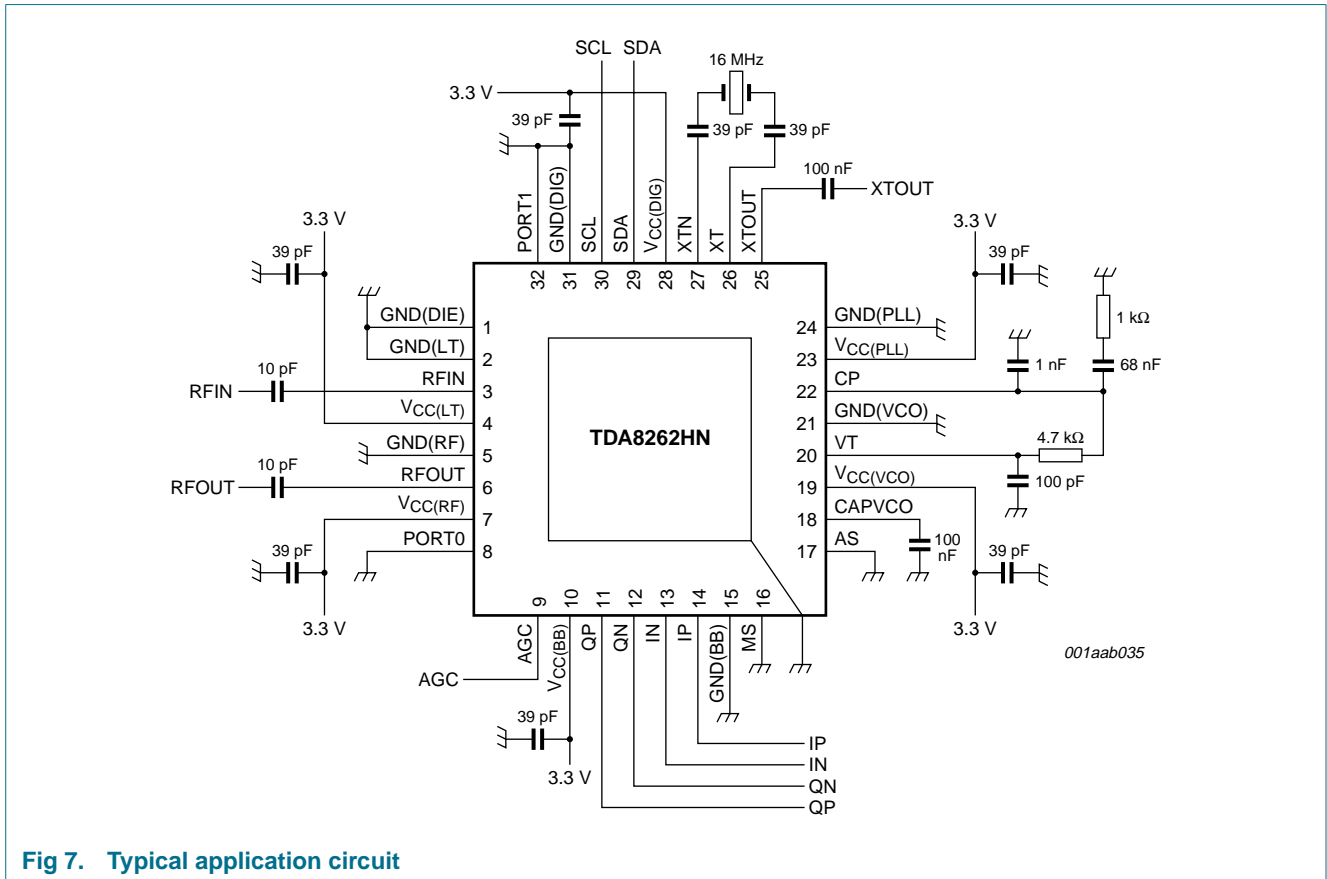


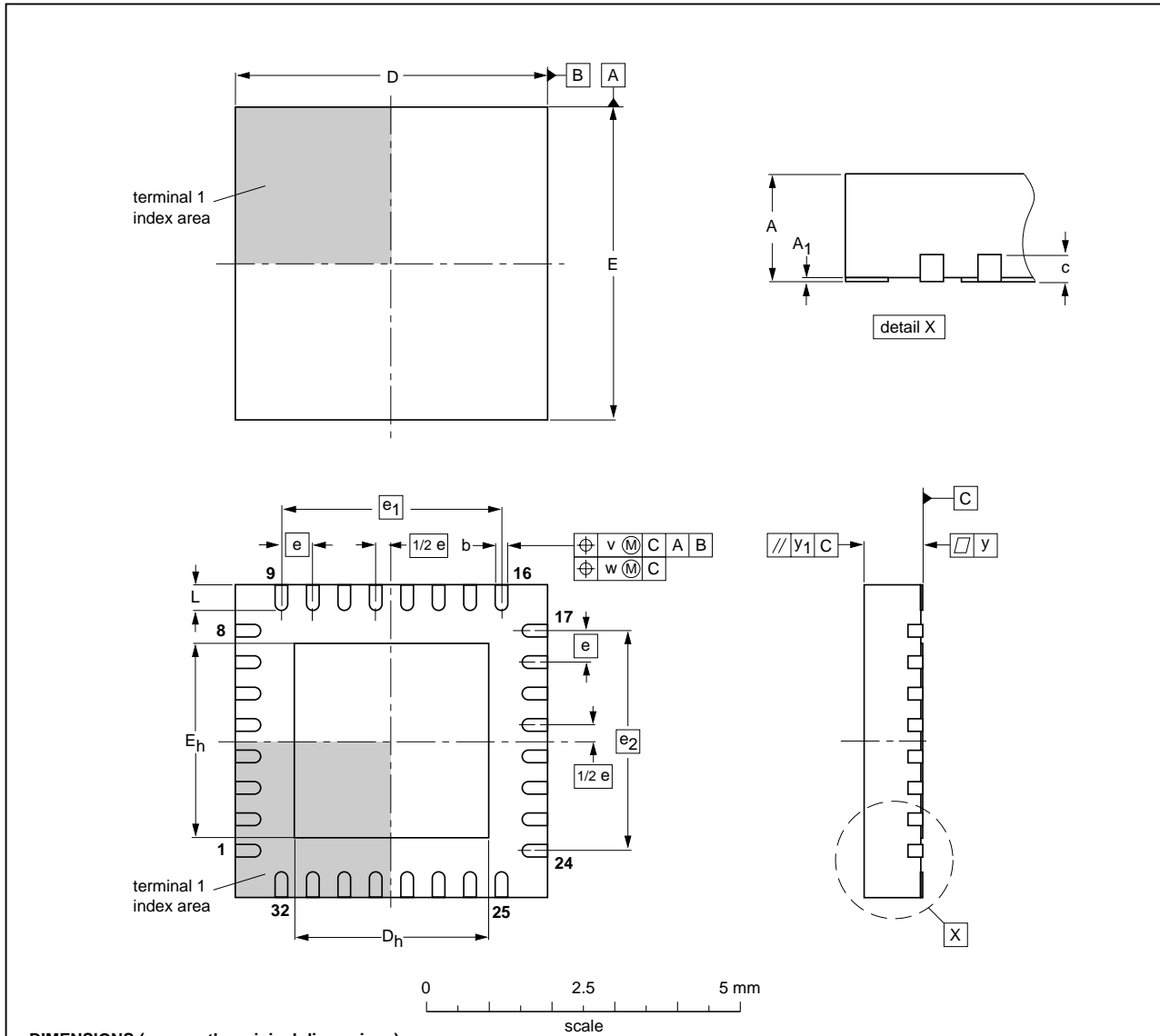
Fig 7. Typical application circuit



### 17. Package outline

HVQFN32: plastic thermal enhanced very thin quad flat package; no leads; 32 terminals; body 5 x 5 x 0.85 mm

SOT617-1



DIMENSIONS (mm are the original dimensions)

UNIT	A <sup>(1)</sup> max.	A <sub>1</sub>	b	c	D <sup>(1)</sup>	D <sub>h</sub>	E <sup>(1)</sup>	E <sub>h</sub>	e	e <sub>1</sub>	e <sub>2</sub>	L	v	w	y	y <sub>1</sub>
mm	1	0.05 0.00	0.30 0.18	0.2	5.1 4.9	3.25 2.95	5.1 4.9	3.25 2.95	0.5	3.5	3.5	0.5 0.3	0.1	0.05	0.05	0.1

**Note**

1. Plastic or metal protrusions of 0.075 mm maximum per side are not included.

OUTLINE VERSION	REFERENCES				EUROPEAN PROJECTION	ISSUE DATE
	IEC	JEDEC	JEITA			
SOT617-1	---	MO-220	---			01-08-08 02-10-18

Fig 8. Package outline SOT617-1 (HVQFN32)

## 18. Handling information

Inputs and outputs are protected against electrostatic discharge in normal handling. However, to be completely safe, it is desirable to take normal precautions appropriate to handling integrated circuits.

## 19. Soldering

### 19.1 Introduction to soldering surface mount packages

This text gives a very brief insight to a complex technology. A more in-depth account of soldering ICs can be found in our *Data Handbook IC26; Integrated Circuit Packages* (document order number 9398 652 90011).

There is no soldering method that is ideal for all surface mount IC packages. Wave soldering can still be used for certain surface mount ICs, but it is not suitable for fine pitch SMDs. In these situations reflow soldering is recommended.

### 19.2 Reflow soldering

Reflow soldering requires solder paste (a suspension of fine solder particles, flux and binding agent) to be applied to the printed-circuit board by screen printing, stencilling or pressure-syringe dispensing before package placement. Driven by legislation and environmental forces the worldwide use of lead-free solder pastes is increasing.

Several methods exist for reflowing; for example, convection or convection/infrared heating in a conveyor type oven. Throughput times (preheating, soldering and cooling) vary between 100 seconds and 200 seconds depending on heating method.

Typical reflow peak temperatures range from 215 °C to 270 °C depending on solder paste material. The top-surface temperature of the packages should preferably be kept:

- below 225 °C (SnPb process) or below 245 °C (Pb-free process)
  - for all BGA, HTSSON..T and SSOP..T packages
  - for packages with a thickness  $\geq 2.5$  mm
  - for packages with a thickness  $< 2.5$  mm and a volume  $\geq 350$  mm<sup>3</sup> so called thick/large packages.
- below 240 °C (SnPb process) or below 260 °C (Pb-free process) for packages with a thickness  $< 2.5$  mm and a volume  $< 350$  mm<sup>3</sup> so called small/thin packages.

Moisture sensitivity precautions, as indicated on packing, must be respected at all times.

### 19.3 Wave soldering

Conventional single wave soldering is not recommended for surface mount devices (SMDs) or printed-circuit boards with a high component density, as solder bridging and non-wetting can present major problems.

To overcome these problems the double-wave soldering method was specifically developed.

If wave soldering is used the following conditions must be observed for optimal results:

- Use a double-wave soldering method comprising a turbulent wave with high upward pressure followed by a smooth laminar wave.
- For packages with leads on two sides and a pitch (e):
  - larger than or equal to 1.27 mm, the footprint longitudinal axis is **preferred** to be parallel to the transport direction of the printed-circuit board;
  - smaller than 1.27 mm, the footprint longitudinal axis **must** be parallel to the transport direction of the printed-circuit board.

The footprint must incorporate solder thieves at the downstream end.

- For packages with leads on four sides, the footprint must be placed at a 45° angle to the transport direction of the printed-circuit board. The footprint must incorporate solder thieves downstream and at the side corners.

During placement and before soldering, the package must be fixed with a droplet of adhesive. The adhesive can be applied by screen printing, pin transfer or syringe dispensing. The package can be soldered after the adhesive is cured.

Typical dwell time of the leads in the wave ranges from 3 seconds to 4 seconds at 250 °C or 265 °C, depending on solder material applied, SnPb or Pb-free respectively.

A mildly-activated flux will eliminate the need for removal of corrosive residues in most applications.

## 19.4 Manual soldering

Fix the component by first soldering two diagonally-opposite end leads. Use a low voltage (24 V or less) soldering iron applied to the flat part of the lead. Contact time must be limited to 10 seconds at up to 300 °C.

When using a dedicated tool, all other leads can be soldered in one operation within 2 seconds to 5 seconds between 270 °C and 320 °C.

## 19.5 Package related soldering information

Table 40: Suitability of surface mount IC packages for wave and reflow soldering methods

Package <sup>[1]</sup>	Soldering method	
	Wave	Reflow <sup>[2]</sup>
BGA, HTSSON..T <sup>[3]</sup> , LBGA, LFBGA, SQFP, SSOP..T <sup>[3]</sup> , TFBGA, VFBGA, XSON	not suitable	suitable
DHVQFN, HBCC, HBGA, HLQFP, HSO, HSOP, HSQFP, HSSON, HTQFP, HTSSOP, HVQFN, HVSON, SMS	not suitable <sup>[4]</sup>	suitable
PLCC <sup>[5]</sup> , SO, SOJ	suitable	suitable
LQFP, QFP, TQFP	not recommended <sup>[5] [6]</sup>	suitable
SSOP, TSSOP, VSO, VSSOP	not recommended <sup>[7]</sup>	suitable
CWQCCN..L <sup>[8]</sup> , PMFP <sup>[9]</sup> , WQCCN..L <sup>[8]</sup>	not suitable	not suitable

[1] For more detailed information on the BGA packages refer to the *(LF)BGA Application Note (AN01026)*; order a copy from your Philips Semiconductors sales office.

- [2] All surface mount (SMD) packages are moisture sensitive. Depending upon the moisture content, the maximum temperature (with respect to time) and body size of the package, there is a risk that internal or external package cracks may occur due to vaporization of the moisture in them (the so called popcorn effect). For details, refer to the Drypack information in the *Data Handbook IC26; Integrated Circuit Packages; Section: Packing Methods*.
- [3] These transparent plastic packages are extremely sensitive to reflow soldering conditions and must on no account be processed through more than one soldering cycle or subjected to infrared reflow soldering with peak temperature exceeding  $217\text{ °C} \pm 10\text{ °C}$  measured in the atmosphere of the reflow oven. The package body peak temperature must be kept as low as possible.
- [4] These packages are not suitable for wave soldering. On versions with the heatsink on the bottom side, the solder cannot penetrate between the printed-circuit board and the heatsink. On versions with the heatsink on the top side, the solder might be deposited on the heatsink surface.
- [5] If wave soldering is considered, then the package must be placed at a  $45^\circ$  angle to the solder wave direction. The package footprint must incorporate solder thieves downstream and at the side corners.
- [6] Wave soldering is suitable for LQFP, QFP and TQFP packages with a pitch (e) larger than 0.8 mm; it is definitely not suitable for packages with a pitch (e) equal to or smaller than 0.65 mm.
- [7] Wave soldering is suitable for SSOP, TSSOP, VSO and VSSOP packages with a pitch (e) equal to or larger than 0.65 mm; it is definitely not suitable for packages with a pitch (e) equal to or smaller than 0.5 mm.
- [8] Image sensor packages in principle should not be soldered. They are mounted in sockets or delivered pre-mounted on flex foil. However, the image sensor package can be mounted by the client on a flex foil by using a hot bar soldering process. The appropriate soldering profile can be provided on request.
- [9] Hot bar soldering or manual soldering is suitable for PMFP packages.

## 20. Revision history

Table 41: Revision history

Document ID	Release date	Data sheet status	Change notice	Doc. number	Supersedes
TDA8262HN_1	20041214	Product data sheet		9397 750 13194	-

## 21. Data sheet status

Level	Data sheet status [1]	Product status [2] [3]	Definition
I	Objective data	Development	This data sheet contains data from the objective specification for product development. Philips Semiconductors reserves the right to change the specification in any manner without notice.
II	Preliminary data	Qualification	This data sheet contains data from the preliminary specification. Supplementary data will be published at a later date. Philips Semiconductors reserves the right to change the specification without notice, in order to improve the design and supply the best possible product.
III	Product data	Production	This data sheet contains data from the product specification. Philips Semiconductors reserves the right to make changes at any time in order to improve the design, manufacturing and supply. Relevant changes will be communicated via a Customer Product/Process Change Notification (CPCN).

- [1] Please consult the most recently issued data sheet before initiating or completing a design.
- [2] The product status of the device(s) described in this data sheet may have changed since this data sheet was published. The latest information is available on the Internet at URL <http://www.semiconductors.philips.com>.
- [3] For data sheets describing multiple type numbers, the highest-level product status determines the data sheet status.

## 22. Definitions

**Short-form specification** — The data in a short-form specification is extracted from a full data sheet with the same type number and title. For detailed information see the relevant data sheet or data handbook.

**Limiting values definition** — Limiting values given are in accordance with the Absolute Maximum Rating System (IEC 60134). Stress above one or more of the limiting values may cause permanent damage to the device. These are stress ratings only and operation of the device at these or at any other conditions above those given in the Characteristics sections of the specification is not implied. Exposure to limiting values for extended periods may affect device reliability.

**Application information** — Applications that are described herein for any of these products are for illustrative purposes only. Philips Semiconductors make no representation or warranty that such applications will be suitable for the specified use without further testing or modification.

## 23. Disclaimers

**Life support** — These products are not designed for use in life support appliances, devices, or systems where malfunction of these products can reasonably be expected to result in personal injury. Philips Semiconductors

customers using or selling these products for use in such applications do so at their own risk and agree to fully indemnify Philips Semiconductors for any damages resulting from such application.

**Right to make changes** — Philips Semiconductors reserves the right to make changes in the products - including circuits, standard cells, and/or software - described or contained herein in order to improve design and/or performance. When the product is in full production (status 'Production'), relevant changes will be communicated via a Customer Product/Process Change Notification (CPCN). Philips Semiconductors assumes no responsibility or liability for the use of any of these products, conveys no license or title under any patent, copyright, or mask work right to these products, and makes no representations or warranties that these products are free from patent, copyright, or mask work right infringement, unless otherwise specified.

## 24. Licenses

### Purchase of Philips I<sup>2</sup>C-bus components



Purchase of Philips I<sup>2</sup>C-bus components conveys a license under the Philips' I<sup>2</sup>C-bus patent to use the components in the I<sup>2</sup>C-bus system provided the system conforms to the I<sup>2</sup>C-bus specification defined by Koninklijke Philips Electronics N.V. This specification can be ordered using the code 9398 393 40011.

## 25. Contact information

For additional information, please visit: <http://www.semiconductors.philips.com>

For sales office addresses, send an email to: [sales.addresses@www.semiconductors.philips.com](mailto:sales.addresses@www.semiconductors.philips.com)

26. Contents

1	<b>General description</b> .....	1	25	<b>Contact information</b> .....	29
2	<b>Features</b> .....	2			
3	<b>Applications</b> .....	2			
4	<b>Quick reference data</b> .....	2			
5	<b>Typical performances</b> .....	3			
6	<b>Ordering information</b> .....	3			
7	<b>Block diagram</b> .....	4			
8	<b>Pinning information</b> .....	5			
8.1	Pinning .....	5			
8.2	Pin description .....	5			
9	<b>Tuner configuration</b> .....	6			
10	<b>Functional description</b> .....	7			
10.1	Gain distribution .....	8			
11	<b>Programming</b> .....	8			
11.1	I <sup>2</sup> C-bus inputs .....	8			
11.2	Address selection .....	9			
11.3	Master-slave selection .....	9			
11.4	Data transfer in write mode .....	9			
11.5	I <sup>2</sup> C-bus table in write mode .....	9			
11.6	I <sup>2</sup> C-bus table in write mode (default at POR) ..	10			
11.7	Bit description I <sup>2</sup> C-bus write mode .....	10			
11.8	Data transfer in read mode .....	15			
11.9	I <sup>2</sup> C-bus table in read mode .....	15			
11.10	Bit description I <sup>2</sup> C-bus read mode .....	16			
12	<b>Internal circuitry</b> .....	17			
13	<b>Limiting values</b> .....	20			
14	<b>Thermal characteristics</b> .....	20			
15	<b>Characteristics</b> .....	21			
16	<b>Application information</b> .....	24			
17	<b>Package outline</b> .....	25			
18	<b>Handling information</b> .....	26			
19	<b>Soldering</b> .....	26			
19.1	Introduction to soldering surface mount packages .....	26			
19.2	Reflow soldering .....	26			
19.3	Wave soldering .....	26			
19.4	Manual soldering .....	27			
19.5	Package related soldering information .....	27			
20	<b>Revision history</b> .....	28			
21	<b>Data sheet status</b> .....	29			
22	<b>Definitions</b> .....	29			
23	<b>Disclaimers</b> .....	29			
24	<b>Licenses</b> .....	29			



© Koninklijke Philips Electronics N.V. 2004

All rights are reserved. Reproduction in whole or in part is prohibited without the prior written consent of the copyright owner. The information presented in this document does not form part of any quotation or contract, is believed to be accurate and reliable and may be changed without notice. No liability will be accepted by the publisher for any consequence of its use. Publication thereof does not convey nor imply any license under patent- or other industrial or intellectual property rights.

Date of release: 14 December 2004  
Document number: 9397 750 13194

Published in The Netherlands