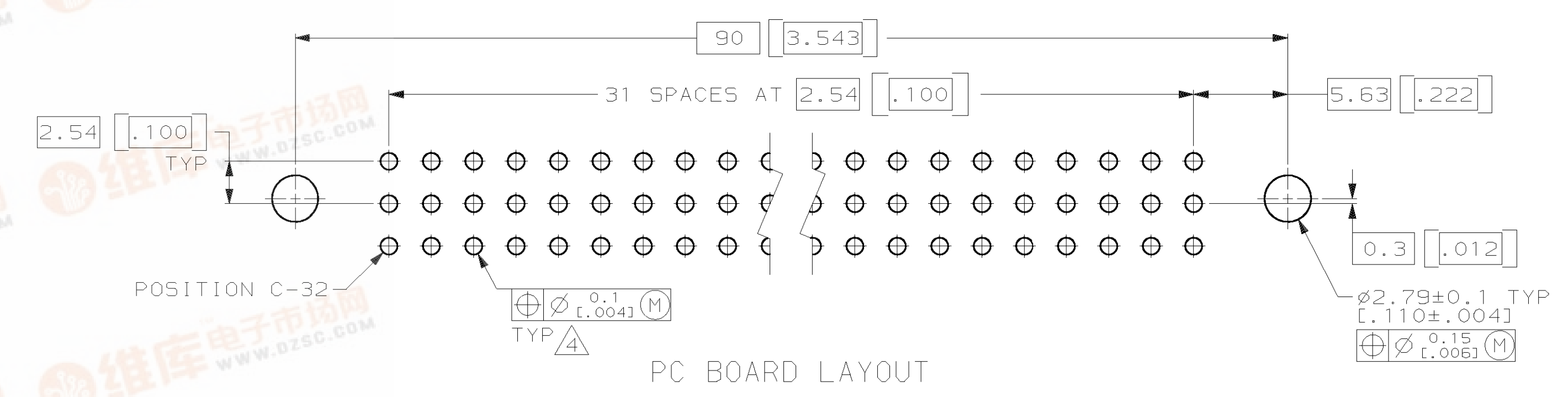
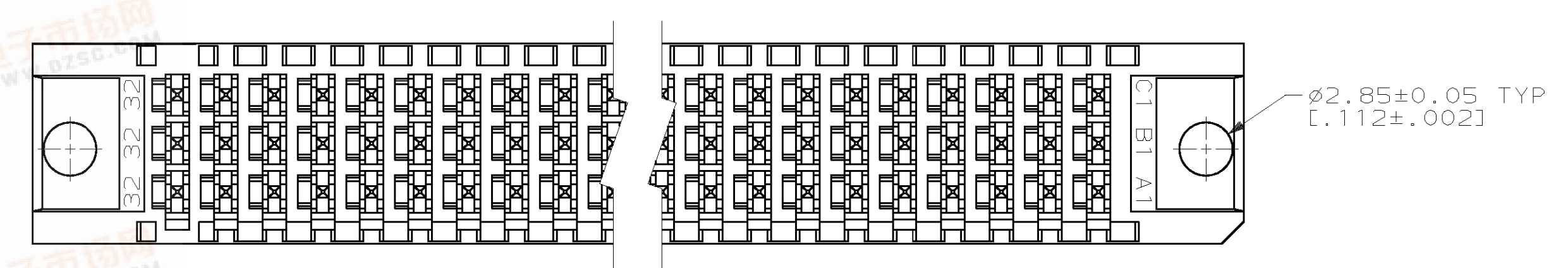
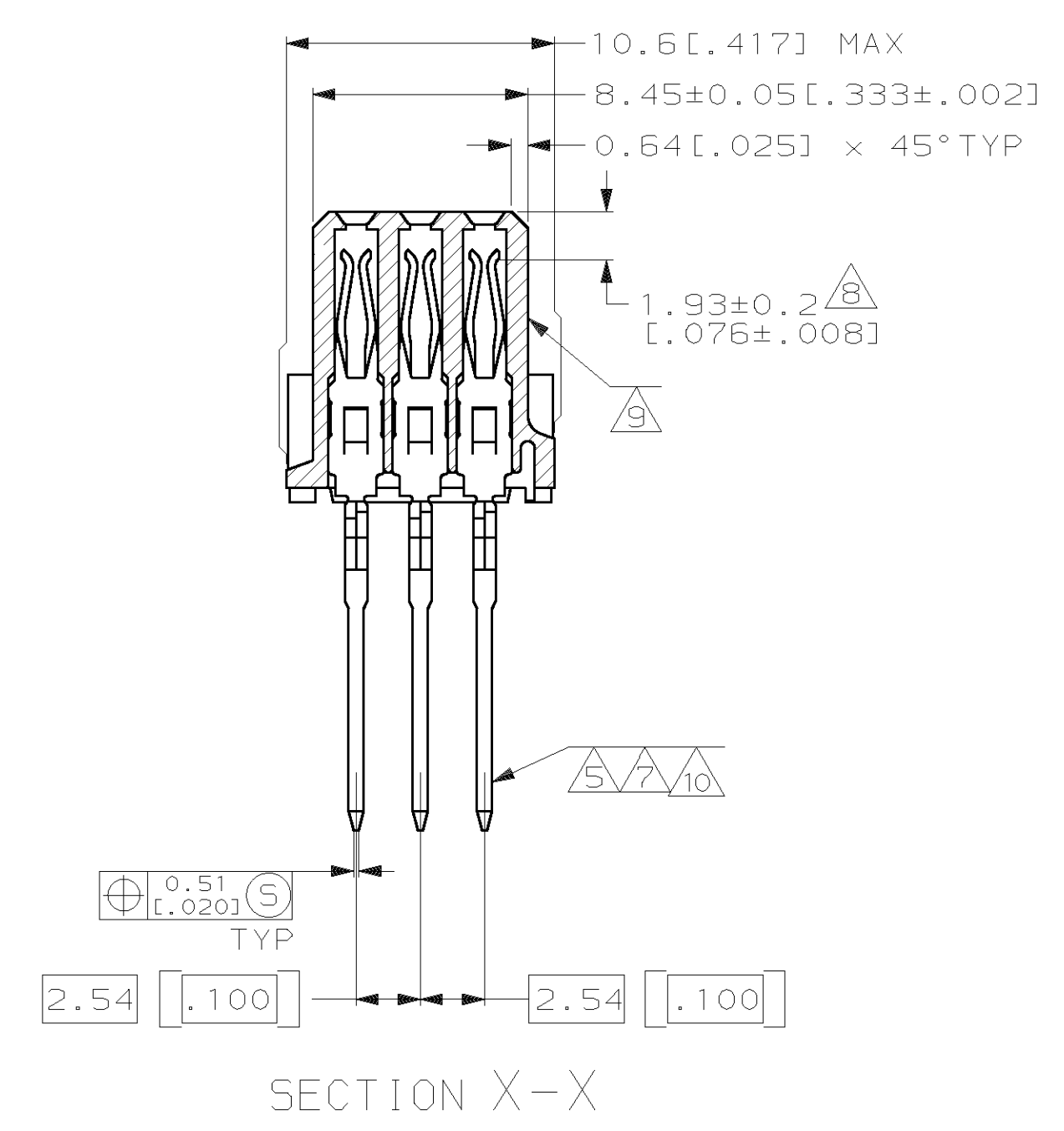
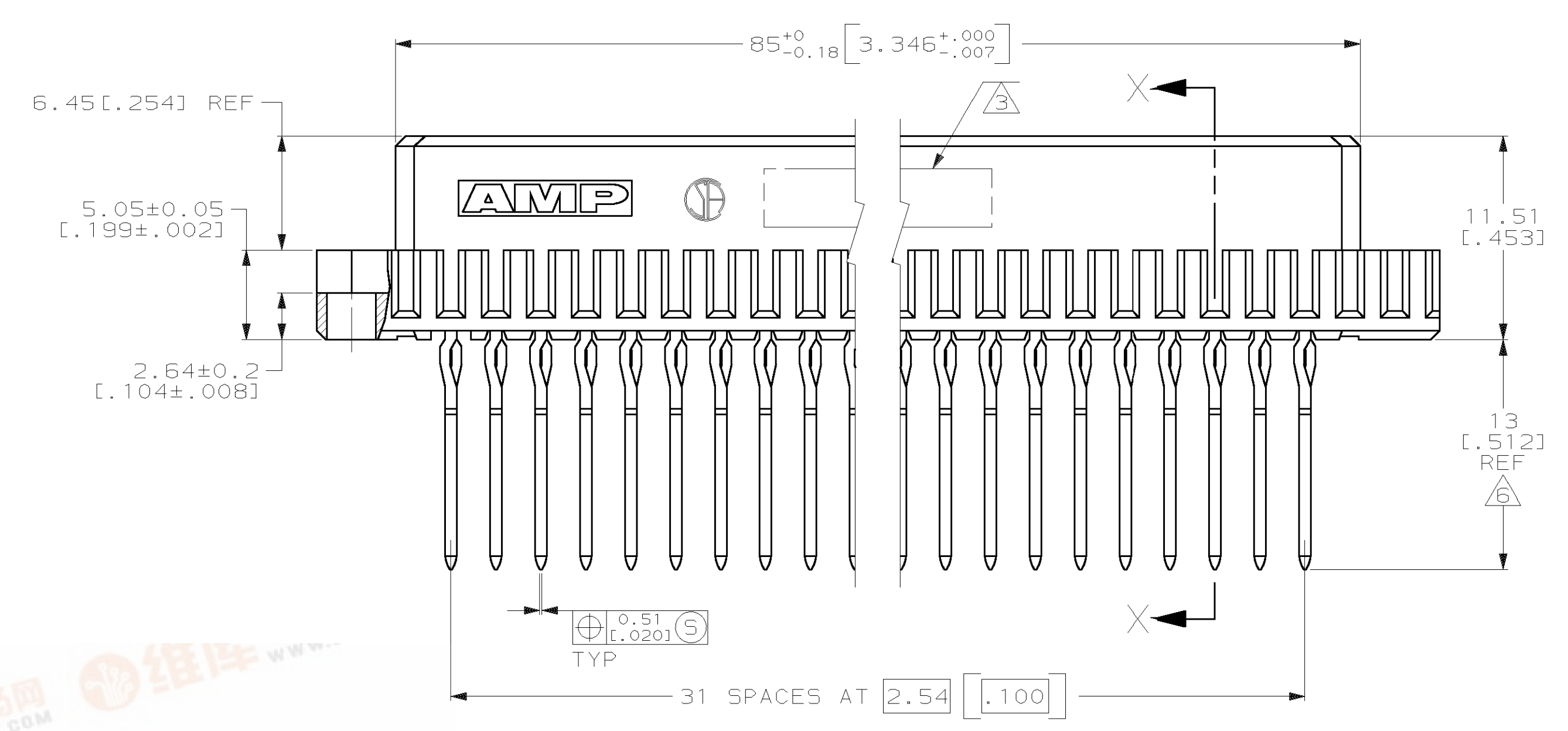
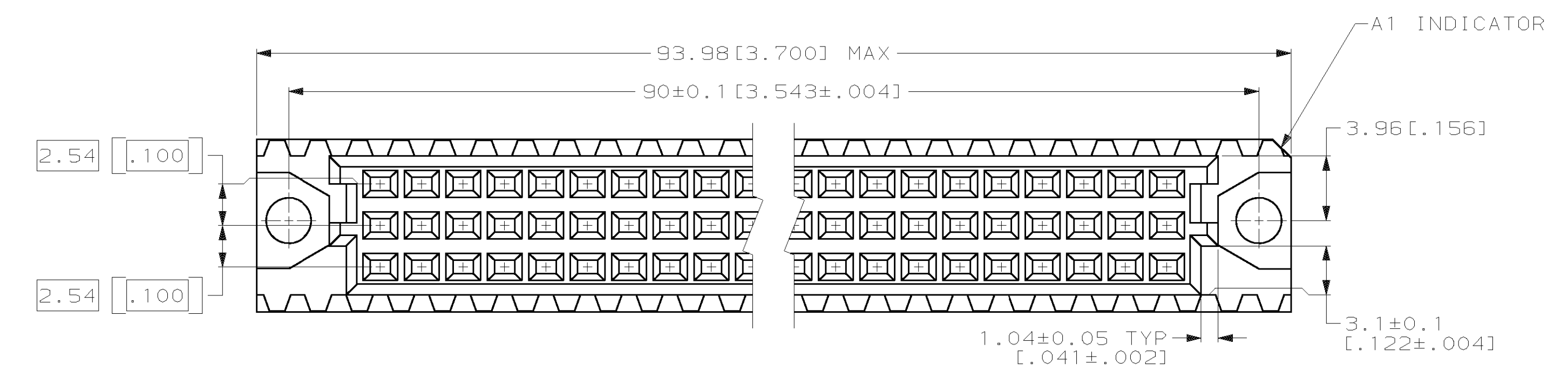


LOC	DIST	P	F	ZONE	LTR	DESCRIPTION	DATE	APPD
AD	25					C REVISED PER 0503-0580-97	9-26-97	JG
						D PER EC 0620-0147-98 T.S.	6-4-98	CR
						E REV PER EC 001B-0136-99	06 OCT 98	CR



- △1 HOUSING MATERIAL: GLASS-FILLED POLYESTER. COLOR: GRAY.
- △2 CONTACT MATERIAL: PHOSPHOR BRONZE.
- △3 PART NUMBER AND DATE CODE HOT STAMPED IN THIS APPROXIMATE AREA.
- △4 ACTION PIN POSTS REQUIRE 1.57 [0.062] MINIMUM THICK PC BOARD. RECOMMENDED PC BOARD DRILLED HOLES ARE 1.15±0.025 [0.0453±.0010] DIAMETER WITH 0.02-0.08 [0.001-.003] COPPER AND 0.008 [0.0003] MINIMUM TIN-LEAD PLATING. FINISHED HOLE AFTER PLATING IS 1.02±0.08 [0.040±.002] DIAMETER.
- △5 CONTACT FINISH: DIN 41612 CLASS 2 IN CONTACT AREA. TIN-LEAD PLATE ON POSTS.
- △6 TAIL LENGTH AFTER SEATING IN PC BOARD.
- △7 CONTACT FINISH: DIN 41612 CLASS 2 IN CONTACT AREA AND LAST 5.08 [2.00] OF POST.
- △8 CONTACT POINT AFTER SEATED IN PC BOARD.
- △9 HOT STAMPING ON THIS SIDE.
- △10 CONTACT FINISH: 0.00076 [0.00030] GOLD IN CONTACT AREA AND LAST 5.08 [2.00] OF POST. 0.00127 [0.00050] NICKEL UNDERPLATE ALL OVER.

△1	1-148057-5
△10	1-148057-4
△5	148057-5
FINISH	PART NO

DO NOT SCALE PRINT. UNLESS SPECIFIED DIMENSIONS IN mm [INCHES] TOLERANCES ON: 2 PLC DEC ±0.13 [0.005] 3 PLC DEC ±- ANGLES ±-		DR L. BRINER 7/26/94	AMP Incorporated Harrisburg, PA 17105-3608		
HOUSING: △1 CONTACTS: △2		CHK R. PATTERSON 8/9/94			
FINISH CONTACTS: △5, △7, △10		APPD R. PATTERSON 8/9/94	NAME RECEPTACLE ASSEMBLY, EUROCARD, TYPE "C"		
		APPD R. PATTERSON 8/9/94	PRODUCT SPEC -		
		APPLICATION SPEC -	SIZE D	CAGE CODE 00779	DRAWING NO C-148057
		WEIGHT -	SCALE 4:1	SHEET 1 OF 1	

THIS DRAWING IS A CONTROLLED DOCUMENT FOR AMP INCORPORATED. IT IS SUBJECT TO CHANGE AND THE CONTROLLING ENGINEERING ORGANIZATION SHOULD BE CONTACTED FOR THE LATEST REVISION.