

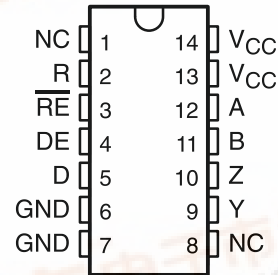
## DIFFERENTIAL DRIVER AND RECEIVER PAIR

Check for Samples: [SN75ALS181](#)

### FEATURES

- Meets TIA/EIA-422-B, TIA/EIA-485-A, and CCITT Recommendations V.11 and X.27
- Low Supply-Current Requirements... 30 mA Max
- Driver Output Capacity... $\pm 60$  mA
- Thermal Shutdown Protection
- Driver Common-Mode Output Voltage Range of  $-7$  V to 12 V
- Receiver Input Impedance...12 k $\Omega$  Min
- Receiver Input Sensitivity... $\pm 200$  mV
- Receiver Input Hysteresis...60 mV Typ
- Receiver Common-Mode Input Voltage Range of  $\pm 12$  V
- Operates From Single 5-V Supply
- Glitch-Free Power-Up and Power-Down Protection

N OR NS PACKAGE  
(TOP VIEW)



N.C. – No internal connection

### DESCRIPTION

The SN75ALS181 is a differential driver and receiver pair designed for bidirectional data communication on multipoint bus transmission lines. The design provides for balanced transmission lines and meets TIA/EIA-422-B and TIA/EIA-485-A, and CCITT recommendations V.10, V.11, X.26, and X.27.

The SN75ALS181 combines a 3-state differential line driver and a differential-input line receiver that operate from a single 5-V power supply. The driver and receiver have active-high and active-low enables, respectively, that can be connected together externally to function as a direction control. The driver differential outputs and the receiver differential inputs are connected to separate pins for greater flexibility and are designed to offer minimum loading to the bus when the driver is disabled or  $V_{CC} = 0$ . These ports feature wide positive and negative common-mode voltage changes, making the device suitable for party-line applications.

### ORDERING INFORMATION

T <sub>A</sub>	PACKAGE <sup>(1)</sup> (2)		ORDERABLE PART NUMBER	TOP-SIDE MARKING
0°C to 70°C	PDIP – N	Tape and reel	SN75ALS181N	SN75ALS181N
	SOP – NS	Tape and reel	SN75ALS181NSR	75ALS181

(1) Package drawings, thermal data, and symbolization are available at [www.ti.com/packaging](http://www.ti.com/packaging).

(2) For the most current package and ordering information, see the Package Option Addendum at the end of this document, or see the TI website at [www.ti.com](http://www.ti.com).



Please be aware that an important notice concerning availability, standard warranty, and use in critical applications of Texas Instruments semiconductor products and disclaimers thereto appears at the end of this data sheet.

PRODUCTION DATA information is current as of publication date. Products conform to specifications per the terms of the Texas Instruments standard warranty. Production processing does not necessarily include testing of all parameters.

Copyright © 1992–2010, Texas Instruments Incorporated



## FUNCTION TABLES

### Each Driver

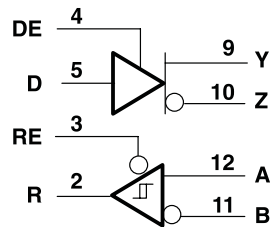
INPUTS D	ENABLE DE	OUTPUTS	
		Y	Z
H	H	H	L
L	H	L	H
X	L	Z	Z

### Each Receiver<sup>(1)</sup>

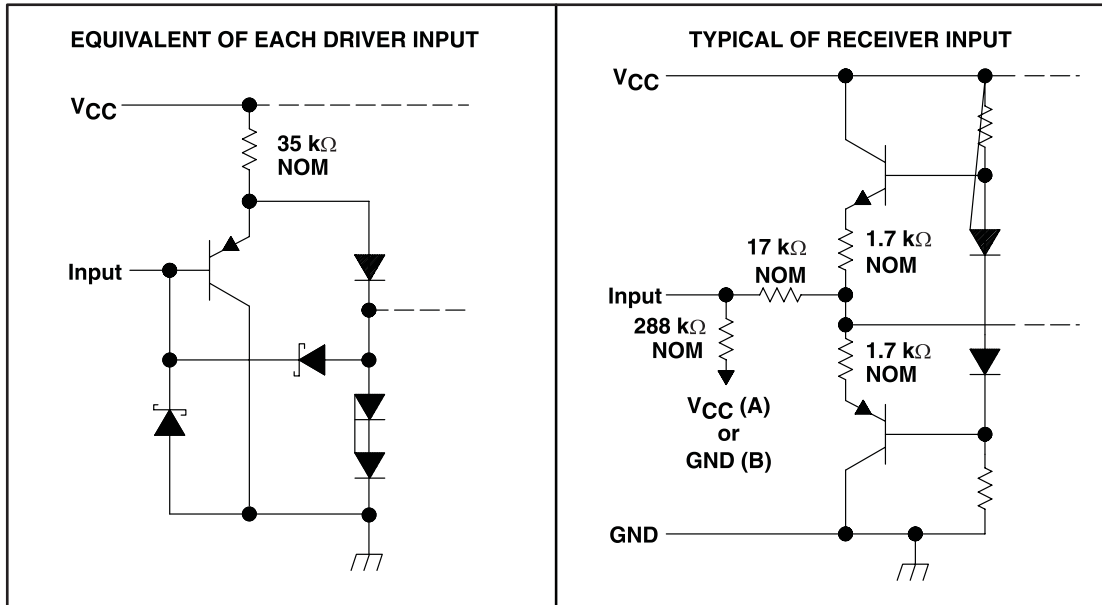
DIFFERENTIAL A-B	ENABLE RE	OUTPUT R
$V_{ID} \geq 0.2 \text{ V}$	L	H
$-0.2 \text{ V} < V_{ID} < 0.2 \text{ V}$	L	?
$V_{ID} \leq -0.2 \text{ V}$	L	L
X	H	Z

- (1) H = high level, L = low level, ? = indeterminate, X = irrelevant, Z = high impedance (off)

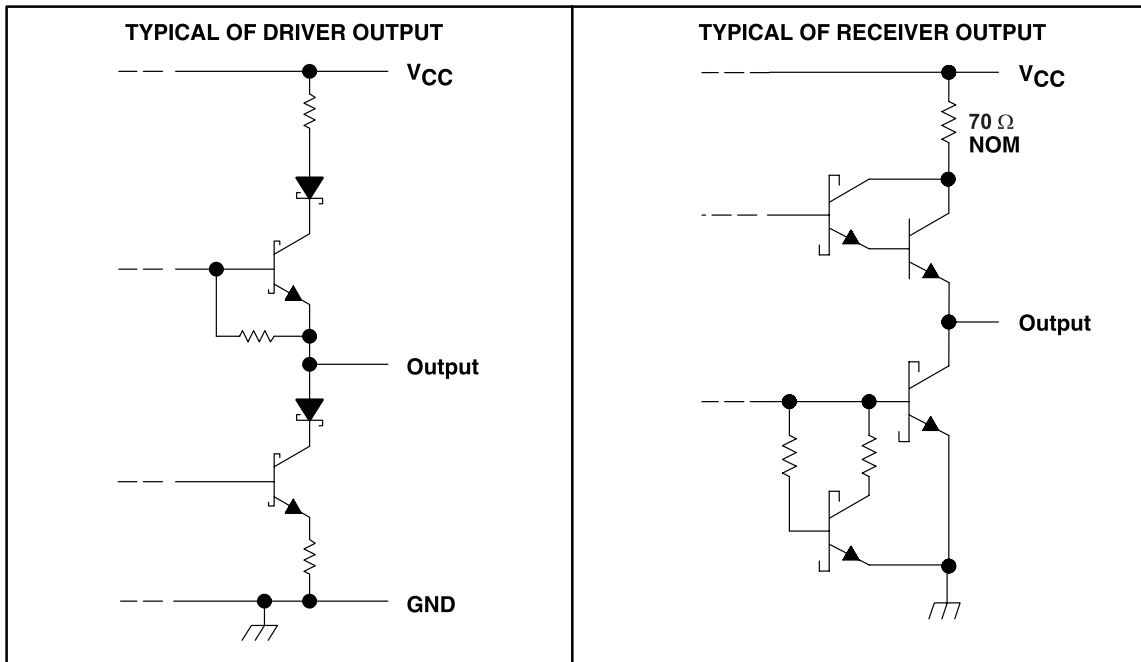
### LOGIC DIAGRAM (POSITIVE LOGIC)



SCHEMATICS OF INPUTS



SCHEMATICS OF OUTPUTS



## ABSOLUTE MAXIMUM RATINGS<sup>(1)</sup>

over operating free-air temperature range (unless otherwise noted)

		MIN	MAX	UNIT		
V <sub>CC</sub>	Supply voltage range <sup>(2)</sup>		7	V		
	Input voltage range	D, DE, and $\overline{RE}$ inputs		7	V	
	Output voltage range	Driver		-9	14	V
	Input voltage range	Receiver		-14	14	V
	Receiver differential input voltage range <sup>(3)</sup>	-14	14	V		
$\theta_{JA}$	Package thermal impedance <sup>(4)(5)</sup>	N package		80	°C/W	
		NS package		76		
	Lead temperature 1,6 mm (1/16 inch) from case for 10 seconds		260	°C		
T <sub>stg</sub>	Storage temperature range	-65	150	°C		

- (1) Stresses beyond those listed under “absolute maximum ratings” may cause permanent damage to the device. These are stress ratings only, and functional operation of the device at these or any other conditions beyond those indicated under “recommended operating conditions” is not implied. Exposure to absolute-maximum-rated conditions for extended periods may affect device reliability.
- (2) All voltage values, except differential input voltage, are with respect to network ground terminal.
- (3) Differential input voltage is measured at the noninverting terminal with respect to the inverting terminal.
- (4) Maximum power dissipation is a function of T<sub>J(max)</sub>,  $\theta_{JA}$ , and T<sub>A</sub>. The maximum allowable power dissipation at any allowable ambient temperature is  $PD = (T_{J(max)} - T_A)/\theta_{JA}$ . Operating at the absolute maximum T<sub>J</sub> of 150°C can affect reliability.
- (5) The package thermal impedance is calculated in accordance with JESD 51-7.

## RECOMMENDED OPERATING CONDITIONS

		MIN	NOM	MAX	UNIT
V <sub>CC</sub>	Supply voltage	4.75	5	5.25	V
V <sub>OC</sub>	Common-mode output voltage <sup>(1)</sup>	-7		12	V
V <sub>IC</sub>	Common-mode input voltage <sup>(1)</sup>	-12		12	V
V <sub>IH</sub>	High-level input voltage	D, DE, and $\overline{RE}$		2	V
V <sub>IL</sub>	Low-level input voltage	D, DE, and $\overline{RE}$		0.8	V
V <sub>ID</sub>	Differential input voltage			±12	V
I <sub>OH</sub>	High-level output current	Driver		-60	mA
		Receiver		-400	μA
I <sub>OL</sub>	Low-level output current	Driver		60	mA
		Receiver		8	
T <sub>A</sub>	Operating free-air temperature	0		70	°C

- (1) The algebraic convention, where the less positive (more negative) limit is designated as minimum, is used in this table for common-mode output voltage level only.

## Driver Section

### ELECTRICAL CHARACTERISTICS

over recommended ranges of supply voltage and operating free-air temperature (unless otherwise noted)

PARAMETER		TEST CONDITIONS		MIN	TYP <sup>(1)</sup>	MAX	UNIT
V <sub>IK</sub>	Input clamp voltage	I <sub>I</sub> = -18 mA				-1.5	V
V <sub>O</sub>	Output voltage	I <sub>O</sub> = 0		0		6	V
V <sub>OD1</sub>	Differential output voltage	I <sub>O</sub> = 0		1.5		6	V
V <sub>OD2</sub>	Differential output voltage	V <sub>CC</sub> = 5 V, R <sub>L</sub> = 100 Ω	See Figure 1	1/2 V <sub>OD1</sub>		5	V
		R <sub>L</sub> = 54 Ω		2	2.3		
V <sub>OD3</sub>	Differential output voltage	V <sub>test</sub> = -7 V to 12 V,	See Figure 2	1.5		5	V
Δ V <sub>OD</sub>	Change in magnitude of differential output voltage	R <sub>L</sub> = 54 Ω or 100 Ω,	See Figure 1			±0.5	V
V <sub>OC</sub>	Common mode output voltage	R <sub>L</sub> = 54 Ω or 100 Ω,	See Figure 1	3		-1	V
				-1			
Δ V <sub>OC</sub>	Change in magnitude of common-mode output voltage <sup>(2)</sup>	R <sub>L</sub> = 54 Ω or 100 Ω,	See Figure 1			±0.2	μA
I <sub>OZ</sub>	High-impedance-state output current	V <sub>O</sub> = -7 V to 12 V <sup>(3)</sup>				±100	μA
I <sub>IH</sub>	High-level input current	V <sub>IH</sub> = 2.4 V				20	μA
I <sub>IL</sub>	Low-level input current	V <sub>IL</sub> = 0.4 V				-100	μA
I <sub>OS</sub>	Short circuit output current	V <sub>O</sub> = -7 V				-250	mA
		V <sub>O</sub> = V <sub>CC</sub>				250	
		V <sub>O</sub> = 12 V				250	
		V <sub>O</sub> = 0 V				-150	
I <sub>CC</sub>	Supply current (total package)	No load	Outputs enabled		21	30	mA
			Outputs disabled		14	21	

(1) All typical values are at V<sub>CC</sub> = 5 V and TA = 25°C.

(2) Δ|V<sub>OD</sub>| and Δ|V<sub>OC</sub>| are the changes in magnitude of V<sub>OD</sub> and V<sub>OC</sub>, respectively, that occur when the input is changed from a high level to a low level.

(3) This applies for both power on and power off. Refer to TIA/EIA-485-A for exact conditions

### SWITCHING CHARACTERISTICS

over recommended ranges of supply voltage and operating free-air temperature (unless otherwise noted)

PARAMETER		TEST CONDITIONS		MIN	TYP <sup>(1)</sup>	MAX	UNIT
t <sub>dD</sub>	Differential output delay time, t <sub>dDH</sub> or t <sub>dDL</sub>	R <sub>L</sub> = 54 Ω,	C <sub>L</sub> = 50 pF, See Figure 3	9	13	20	ns
t <sub>sk(p)</sub>	Pulse skew ( t <sub>dDH</sub> - t <sub>dDL</sub>  )	R <sub>L</sub> = 54 Ω,	C <sub>L</sub> = 50 pF, See Figure 3		1	8	ns
t <sub>t</sub>	Differential output transition time	R <sub>L</sub> = 54 Ω,	C <sub>L</sub> = 50 pF, See Figure 3	3	10	16	ns
t <sub>pZH</sub>	Output enable time to high level	R <sub>L</sub> = 110 Ω,	See Figure 4		36	53	ns
t <sub>pZL</sub>	Output enable time to low level	R <sub>L</sub> = 110 Ω,	See Figure 5		39	56	ns
t <sub>PHZ</sub>	Output disable time from high level	R <sub>L</sub> = 110 Ω,	See Figure 4		20	31	ns
t <sub>PLZ</sub>	Output disable time from low level	R <sub>L</sub> = 110 Ω,	See Figure 5		9	20	ns

(1) All typical values are at V<sub>CC</sub> = 5 V and TA = 25°C.

## Receiver Section

### ELECTRICAL CHARACTERISTICS

over recommended ranges of supply voltage and operating free-air temperature (unless otherwise noted)

PARAMETER		TEST CONDITIONS		MIN	TYP <sup>(1)</sup>	MAX	UNIT	
$V_{T+}$	Positive-going threshold voltage, differential input	$V_O = 2.7\text{ V}$ ,	$I_O = -0.4\text{ mA}$			0.2	V	
$V_{T-}$	Negative-going threshold voltage, differential input	$V_O = 0.5\text{ V}$ ,	$I_O = 8\text{ mA}$	-0.2			V	
$V_{hys}$	Input hysteresis ( $V_{T+} - V_{T-}$ )				60		mV	
$V_{IK}$	Input clamp voltage, $\overline{RE}$	$I_I = -18\text{ mA}$				-1.5	V	
$V_{OH}$	High-level output voltage	$V_{ID} = 200\text{ mV}$ ,	$I_{OH} = -400\text{ }\mu\text{A}$ , See <a href="#">Figure 6</a>	2.7			V	
$V_{OL}$	Low-level output voltage	$V_{ID} = 200\text{ mV}$ ,	$I_{OL} = 8\text{ mA}$ , See <a href="#">Figure 6</a>			0.45	V	
$I_{OZ}$	High-impedance-state output current	$V_O = 0.4\text{ V to } 2.4\text{ V}$				$\pm 20$	$\mu\text{A}$	
$I_I$	Line input current	Other input at 0 V <sup>(2)</sup> ,	$V_I = 12\text{ V}$			1	mA	
			$V_I = -7\text{ V}$			-0.8		
$I_{IH}$	High-level input current, $\overline{RE}$	$V_{IH} = 2.7\text{ V}$				20	$\mu\text{A}$	
$I_{IL}$	Low-level input current, $\overline{RE}$	$V_{IL} = -7\text{ V}$				-100	$\mu\text{A}$	
$R_I$	Input resistance			12			k $\Omega$	
$I_{OS}$	Short circuit output current	$V_{ID} = 200\text{ mV}$ ,	$V_O = 0\text{ V}$	-15		-85	mA	
$I_{CC}$	Supply current (total package)	No load	Outputs enabled			21	30	mA
			Outputs disabled			14	21	

(1) All typical values are at  $V_{CC} = 5\text{ V}$  and  $TA = 25^\circ\text{C}$ .

(2) This applies for both power on and power off. Refer to TIA/EIA-485-A for exact conditions

### SWITCHING CHARACTERISTICS

over recommended ranges of supply voltage and operating free-air temperature (unless otherwise noted)

PARAMETER		TEST CONDITIONS		MIN	TYP <sup>(1)</sup>	MAX	UNIT
$t_{PHL}$	Differential output delay time, $td_{DH}$ or $td_{DL}$	$V_{ID} = -1.5\text{ V to } 1.5\text{ V}$		10	16	25	ns
$t_{PLH}$	Propagation delay time, low- to high-level output	$V_{ID} = -1.5\text{ V to } 1.5\text{ V}$		10	16	25	ns
$t_{sk(p)}$	Pulse skew ( $ td_{DH} - td_{DL} $ )	$V_{ID} = -1.5\text{ V to } 1.5\text{ V}$			1	8	ns
$t_{PZH}$	Output enable time to high level				7	15	ns
$t_{PZL}$	Output enable time to low level				9	19	ns
$t_{PHZ}$	Output disable time from high level				18	27	ns
$t_{PLZ}$	Output disable time from low level				10	15	ns

(1) All typical values are at  $V_{CC} = 5\text{ V}$  and  $TA = 25^\circ\text{C}$ .

PARAMETER MEASUREMENT INFORMATION

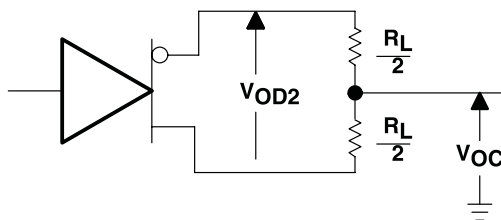


Figure 1. Driver Test Circuit,  $V_{OD}$  and  $V_{OC}$

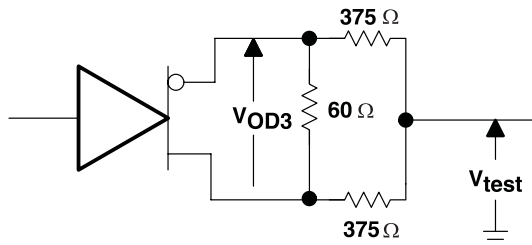
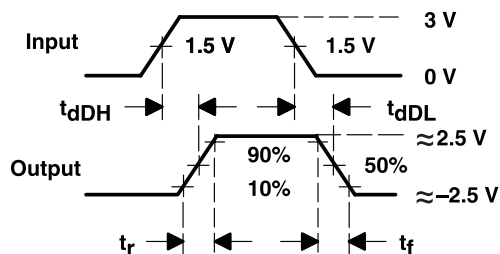
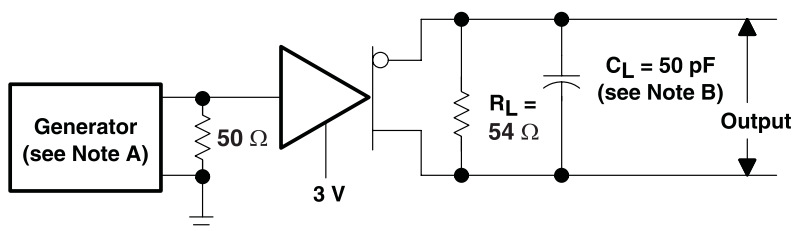


Figure 2. Driver Circuit,  $V_{OD3}$

- A. The input pulse is supplied by a generator having the following characteristics:  $PRR \leq 1$  MHz, 50% duty cycle,  $t_r \leq 6$  ns,  $t_f \leq 6$  ns,  $Z_O = 50 \Omega$
- B.  $C_L$  includes probe and jig capacitance.

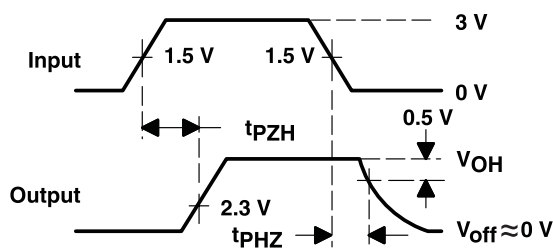
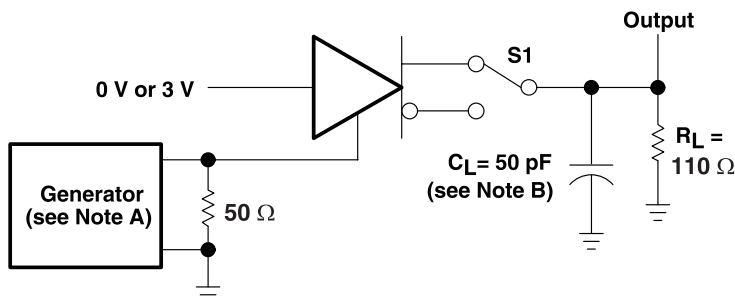


TEST CIRCUIT

VOLTAGE WAVEFORMS

Figure 3. Driver Differential-Output Delay and Transition Times

- C. The input pulse is supplied by a generator having the following characteristics:  $PRR \leq 1$  MHz, 50% duty cycle,  $t_r \leq 6$  ns,  $t_f \leq 6$  ns,  $Z_O = 50 \Omega$
- D.  $C_L$  includes probe and jig capacitance.



TEST CIRCUIT

VOLTAGE WAVEFORMS

Figure 4. Driver Enable and Disable Times

- E. The input pulse is supplied by a generator having the following characteristics:  $PRR \leq 1$  MHz, 50% duty cycle,  $t_r \leq 6$  ns,  $t_f \leq 6$  ns,  $Z_O = 50 \Omega$
- F.  $C_L$  includes probe and jig capacitance.

PARAMETER MEASUREMENT INFORMATION (continued)

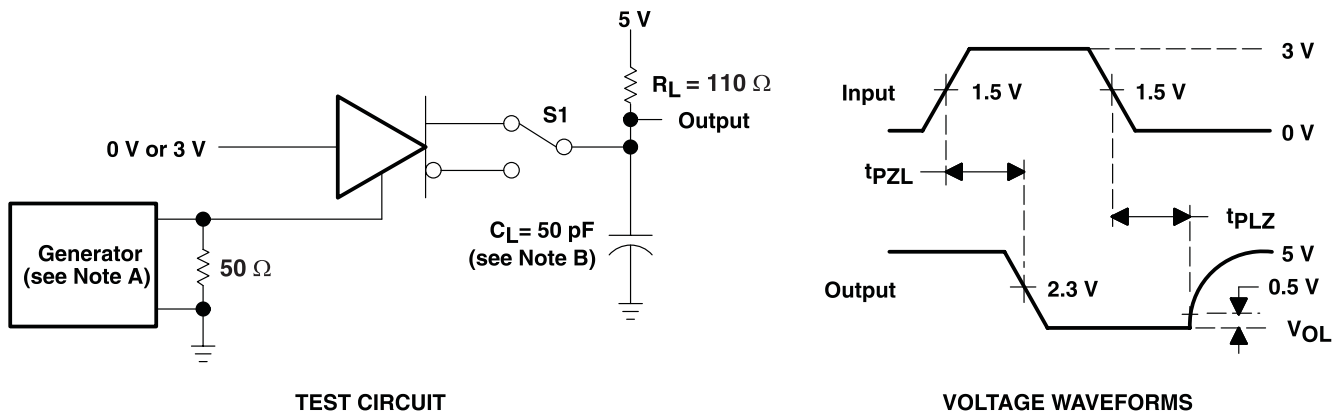


Figure 5. Driver Enable and Disable Times

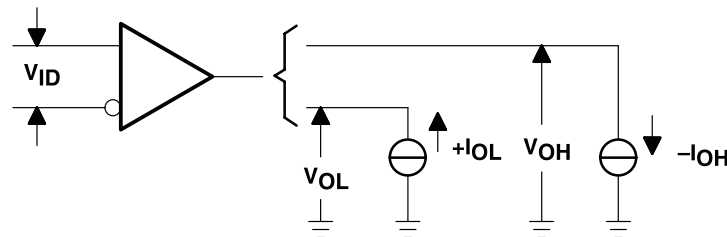


Figure 6. Receiver,  $V_{OH}$  and  $V_{OL}$

- G. The input pulse is supplied by a generator having the following characteristics:  $PRR \leq 1$  MHz, 50% duty cycle,  $t_r \leq 6$  ns,  $t_f \leq 6$  ns,  $Z_o = 50 \Omega$
- H.  $C_L$  includes probe and jig capacitance.

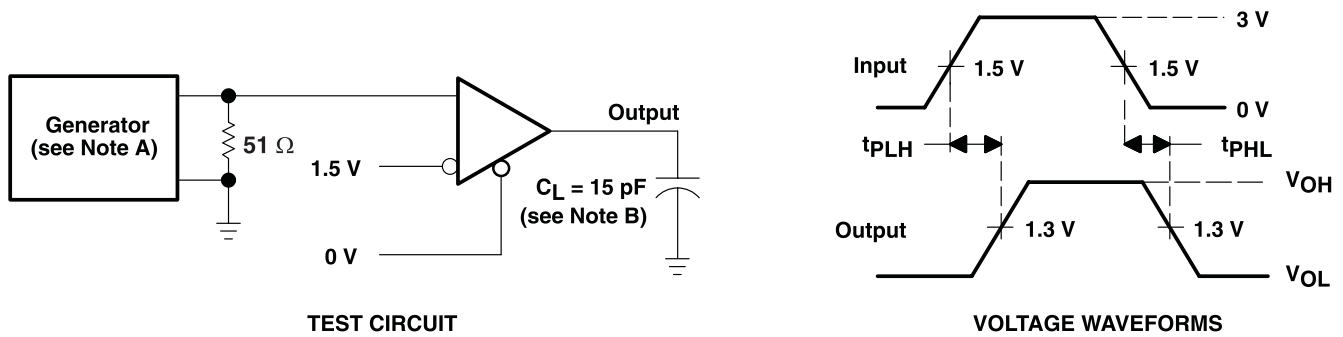
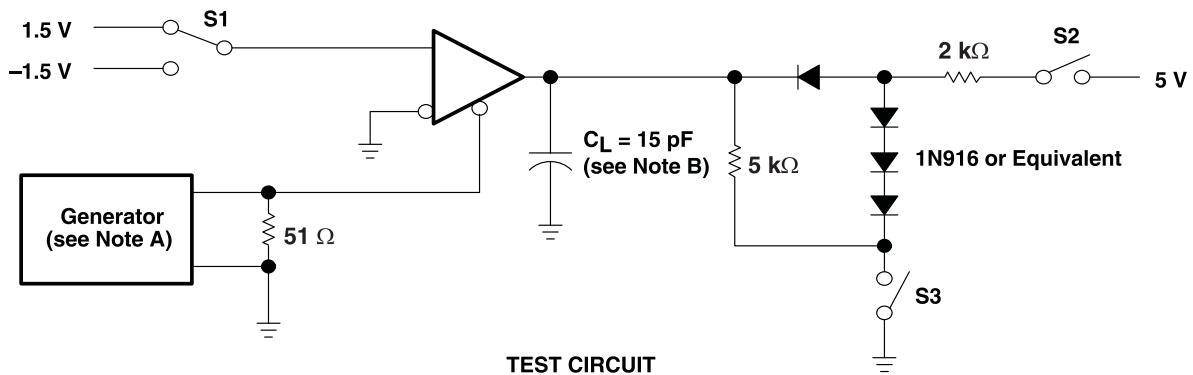


Figure 7. Receiver Propagation-Delay Times

- I. The input pulse is supplied by a generator having the following characteristics:  $PRR \leq 1$  MHz, 50% duty cycle,  $t_r \leq 6$  ns,  $t_f \leq 6$  ns,  $Z_o = 50 \Omega$
- J.  $C_L$  includes probe and jig capacitance.



PARAMETER MEASUREMENT INFORMATION (continued)



TEST CIRCUIT

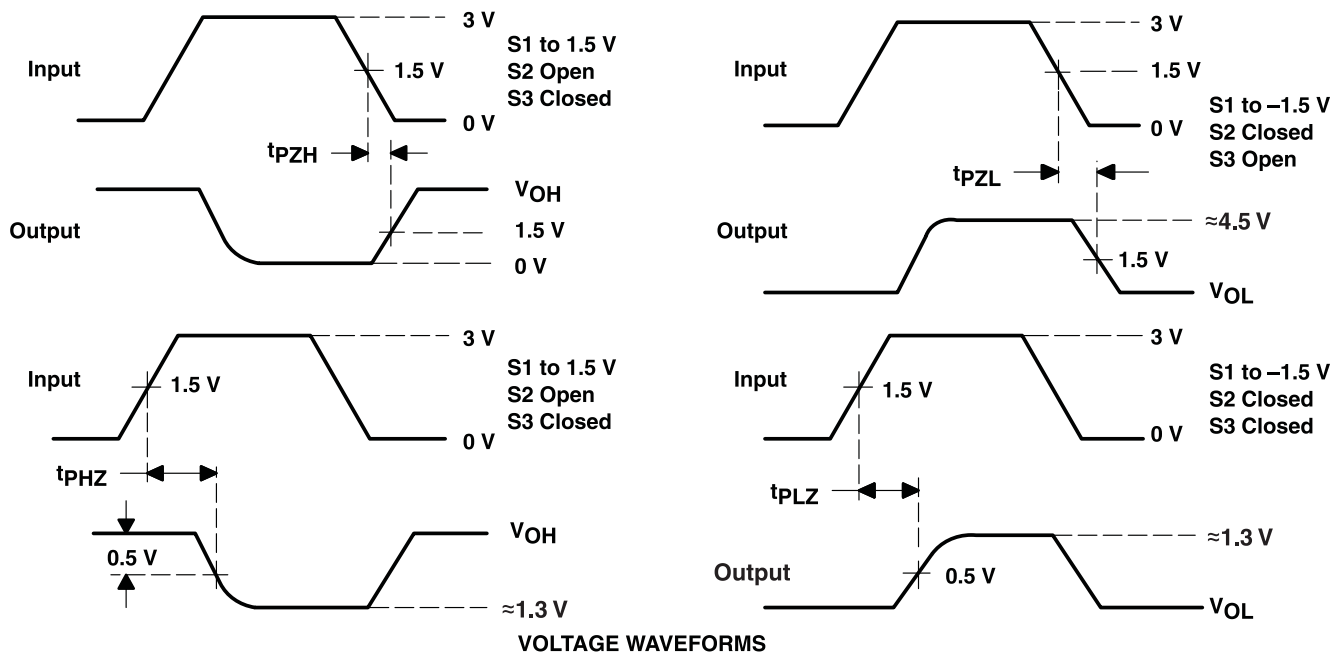


Figure 8. Receiver Output Enable and Disable Times

**PACKAGING INFORMATION**

Orderable Device	Status <sup>(1)</sup>	Package Type	Package Drawing	Pins	Package Qty	Eco Plan <sup>(2)</sup>	Lead/Ball Finish	MSL Peak Temp <sup>(3)</sup>
SN75ALS181N	ACTIVE	PDIP	N	14	25	Pb-Free (RoHS)	CU NIPDAU	N / A for Pkg Type
SN75ALS181NE4	ACTIVE	PDIP	N	14	25	Pb-Free (RoHS)	CU NIPDAU	N / A for Pkg Type
SN75ALS181NSLE	OBSOLETE	SO	NS	14		TBD	Call TI	Call TI
SN75ALS181NSR	ACTIVE	SO	NS	14	2000	Green (RoHS & no Sb/Br)	CU NIPDAU	Level-1-260C-UNLIM
SN75ALS181NSRG4	ACTIVE	SO	NS	14	2000	Green (RoHS & no Sb/Br)	CU NIPDAU	Level-1-260C-UNLIM

<sup>(1)</sup> The marketing status values are defined as follows:

**ACTIVE:** Product device recommended for new designs.

**LIFEBUY:** TI has announced that the device will be discontinued, and a lifetime-buy period is in effect.

**NRND:** Not recommended for new designs. Device is in production to support existing customers, but TI does not recommend using this part in a new design.

**PREVIEW:** Device has been announced but is not in production. Samples may or may not be available.

**OBSOLETE:** TI has discontinued the production of the device.

<sup>(2)</sup> Eco Plan - The planned eco-friendly classification: Pb-Free (RoHS), Pb-Free (RoHS Exempt), or Green (RoHS & no Sb/Br) - please check <http://www.ti.com/productcontent> for the latest availability information and additional product content details.

**TBD:** The Pb-Free/Green conversion plan has not been defined.

**Pb-Free (RoHS):** TI's terms "Lead-Free" or "Pb-Free" mean semiconductor products that are compatible with the current RoHS requirements for all 6 substances, including the requirement that lead not exceed 0.1% by weight in homogeneous materials. Where designed to be soldered at high temperatures, TI Pb-Free products are suitable for use in specified lead-free processes.

**Pb-Free (RoHS Exempt):** This component has a RoHS exemption for either 1) lead-based flip-chip solder bumps used between the die and package, or 2) lead-based die adhesive used between the die and leadframe. The component is otherwise considered Pb-Free (RoHS compatible) as defined above.

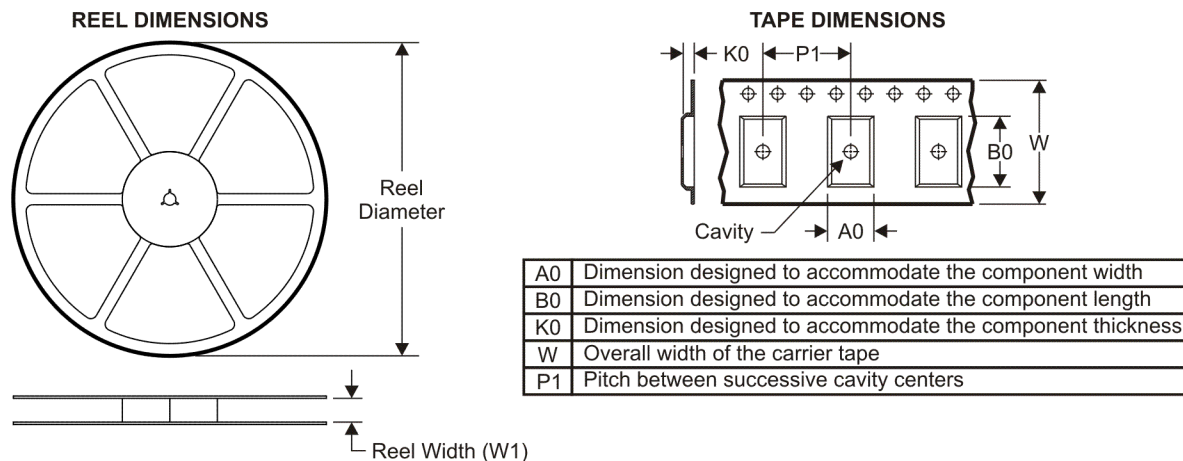
**Green (RoHS & no Sb/Br):** TI defines "Green" to mean Pb-Free (RoHS compatible), and free of Bromine (Br) and Antimony (Sb) based flame retardants (Br or Sb do not exceed 0.1% by weight in homogeneous material)

<sup>(3)</sup> MSL, Peak Temp. -- The Moisture Sensitivity Level rating according to the JEDEC industry standard classifications, and peak solder temperature.

**Important Information and Disclaimer:** The information provided on this page represents TI's knowledge and belief as of the date that it is provided. TI bases its knowledge and belief on information provided by third parties, and makes no representation or warranty as to the accuracy of such information. Efforts are underway to better integrate information from third parties. TI has taken and continues to take reasonable steps to provide representative and accurate information but may not have conducted destructive testing or chemical analysis on incoming materials and chemicals. TI and TI suppliers consider certain information to be proprietary, and thus CAS numbers and other limited information may not be available for release.

In no event shall TI's liability arising out of such information exceed the total purchase price of the TI part(s) at issue in this document sold by TI to Customer on an annual basis.

TAPE AND REEL INFORMATION



QUADRANT ASSIGNMENTS FOR PIN 1 ORIENTATION IN TAPE



\*All dimensions are nominal

Device	Package Type	Package Drawing	Pins	SPQ	Reel Diameter (mm)	Reel Width W1 (mm)	A0 (mm)	B0 (mm)	K0 (mm)	P1 (mm)	W (mm)	Pin1 Quadrant
SN75ALS181NSR	SO	NS	14	2000	330.0	16.4	8.2	10.5	2.5	12.0	16.0	Q1

**TAPE AND REEL BOX DIMENSIONS**



\*All dimensions are nominal

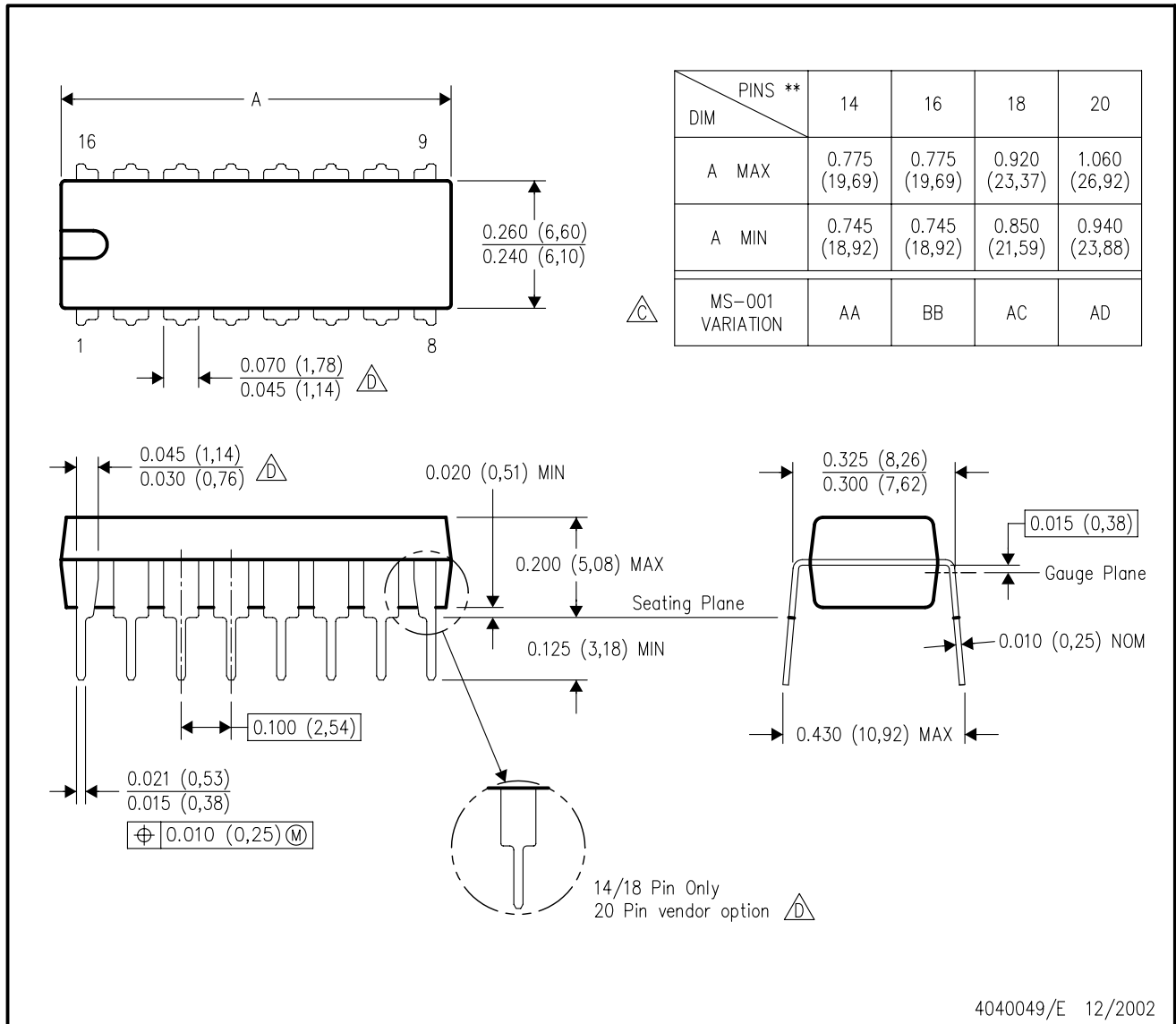
Device	Package Type	Package Drawing	Pins	SPQ	Length (mm)	Width (mm)	Height (mm)
SN75ALS181NSR	SO	NS	14	2000	346.0	346.0	33.0

[查询"SN75ALS181"供应商](#)

N (R-PDIP-T\*\*)

PLASTIC DUAL-IN-LINE PACKAGE

16 PINS SHOWN



- NOTES:
- A. All linear dimensions are in inches (millimeters).
  - B. This drawing is subject to change without notice.
  - Falls within JEDEC MS-001, except 18 and 20 pin minimum body length (Dim A).
  - The 20 pin end lead shoulder width is a vendor option, either half or full width.

MECHANICAL DATA

NS (R-PDSO-G\*\*)  
14-PINS SHOWN

PLASTIC SMALL-OUTLINE PACKAGE



- NOTES:
- A. All linear dimensions are in millimeters.
  - B. This drawing is subject to change without notice.
  - C. Body dimensions do not include mold flash or protrusion, not to exceed 0,15.

## [查询"SN75ALS181"供应商](#)

### IMPORTANT NOTICE

Texas Instruments Incorporated and its subsidiaries (TI) reserve the right to make corrections, modifications, enhancements, improvements, and other changes to its products and services at any time and to discontinue any product or service without notice. Customers should obtain the latest relevant information before placing orders and should verify that such information is current and complete. All products are sold subject to TI's terms and conditions of sale supplied at the time of order acknowledgment.

TI warrants performance of its hardware products to the specifications applicable at the time of sale in accordance with TI's standard warranty. Testing and other quality control techniques are used to the extent TI deems necessary to support this warranty. Except where mandated by government requirements, testing of all parameters of each product is not necessarily performed.

TI assumes no liability for applications assistance or customer product design. Customers are responsible for their products and applications using TI components. To minimize the risks associated with customer products and applications, customers should provide adequate design and operating safeguards.

TI does not warrant or represent that any license, either express or implied, is granted under any TI patent right, copyright, mask work right, or other TI intellectual property right relating to any combination, machine, or process in which TI products or services are used. Information published by TI regarding third-party products or services does not constitute a license from TI to use such products or services or a warranty or endorsement thereof. Use of such information may require a license from a third party under the patents or other intellectual property of the third party, or a license from TI under the patents or other intellectual property of TI.

Reproduction of TI information in TI data books or data sheets is permissible only if reproduction is without alteration and is accompanied by all associated warranties, conditions, limitations, and notices. Reproduction of this information with alteration is an unfair and deceptive business practice. TI is not responsible or liable for such altered documentation. Information of third parties may be subject to additional restrictions.

Resale of TI products or services with statements different from or beyond the parameters stated by TI for that product or service voids all express and any implied warranties for the associated TI product or service and is an unfair and deceptive business practice. TI is not responsible or liable for any such statements.

TI products are not authorized for use in safety-critical applications (such as life support) where a failure of the TI product would reasonably be expected to cause severe personal injury or death, unless officers of the parties have executed an agreement specifically governing such use. Buyers represent that they have all necessary expertise in the safety and regulatory ramifications of their applications, and acknowledge and agree that they are solely responsible for all legal, regulatory and safety-related requirements concerning their products and any use of TI products in such safety-critical applications, notwithstanding any applications-related information or support that may be provided by TI. Further, Buyers must fully indemnify TI and its representatives against any damages arising out of the use of TI products in such safety-critical applications.

TI products are neither designed nor intended for use in military/aerospace applications or environments unless the TI products are specifically designated by TI as military-grade or "enhanced plastic." Only products designated by TI as military-grade meet military specifications. Buyers acknowledge and agree that any such use of TI products which TI has not designated as military-grade is solely at the Buyer's risk, and that they are solely responsible for compliance with all legal and regulatory requirements in connection with such use.

TI products are neither designed nor intended for use in automotive applications or environments unless the specific TI products are designated by TI as compliant with ISO/TS 16949 requirements. Buyers acknowledge and agree that, if they use any non-designated products in automotive applications, TI will not be responsible for any failure to meet such requirements.

Following are URLs where you can obtain information on other Texas Instruments products and application solutions:

<b>Products</b>		<b>Applications</b>	
Amplifiers	<a href="http://amplifier.ti.com">amplifier.ti.com</a>	Audio	<a href="http://www.ti.com/audio">www.ti.com/audio</a>
Data Converters	<a href="http://dataconverter.ti.com">dataconverter.ti.com</a>	Automotive	<a href="http://www.ti.com/automotive">www.ti.com/automotive</a>
DLP® Products	<a href="http://www.dlp.com">www.dlp.com</a>	Communications and Telecom	<a href="http://www.ti.com/communications">www.ti.com/communications</a>
DSP	<a href="http://dsp.ti.com">dsp.ti.com</a>	Computers and Peripherals	<a href="http://www.ti.com/computers">www.ti.com/computers</a>
Clocks and Timers	<a href="http://www.ti.com/clocks">www.ti.com/clocks</a>	Consumer Electronics	<a href="http://www.ti.com/consumer-apps">www.ti.com/consumer-apps</a>
Interface	<a href="http://interface.ti.com">interface.ti.com</a>	Energy	<a href="http://www.ti.com/energy">www.ti.com/energy</a>
Logic	<a href="http://logic.ti.com">logic.ti.com</a>	Industrial	<a href="http://www.ti.com/industrial">www.ti.com/industrial</a>
Power Mgmt	<a href="http://power.ti.com">power.ti.com</a>	Medical	<a href="http://www.ti.com/medical">www.ti.com/medical</a>
Microcontrollers	<a href="http://microcontroller.ti.com">microcontroller.ti.com</a>	Security	<a href="http://www.ti.com/security">www.ti.com/security</a>
RFID	<a href="http://www.ti-rfid.com">www.ti-rfid.com</a>	Space, Avionics & Defense	<a href="http://www.ti.com/space-avionics-defense">www.ti.com/space-avionics-defense</a>
RF/IF and ZigBee® Solutions	<a href="http://www.ti.com/lprf">www.ti.com/lprf</a>	Video and Imaging	<a href="http://www.ti.com/video">www.ti.com/video</a>
		Wireless	<a href="http://www.ti.com/wireless-apps">www.ti.com/wireless-apps</a>

Mailing Address: Texas Instruments, Post Office Box 655303, Dallas, Texas 75265  
Copyright © 2010, Texas Instruments Incorporated