

INTRODUCTION

[查询"121201"供应商](#)



Brad® mPm® DIN Valve Connectors New Generation

The new generation of DIN Valve Connectors with unsurpassed IP67 sealing performance and superior cable retention, designed to improve performance and reliability and reduce overall implied costs in hydraulic, pneumatic and electro magnetic devices.

The Brad® product line extends its range by introducing the new generation of external thread, field attachable DIN valve connectors. The mPm® range of connectors conforms to Industry Standard EN 175301-803 (formerly DIN43650). The DIN valve connector is designed to save time and money, while improving overall performance and reliability. This innovative design reduces the number of components, making it easier to assemble with fewer parts to stock. Traditional connectors are supplied pre-assembled requiring the operator to disassemble the connector before terminating the cable. This new generation of connectors is supplied in single set or bulk components, reducing dis-assembly time and cost.

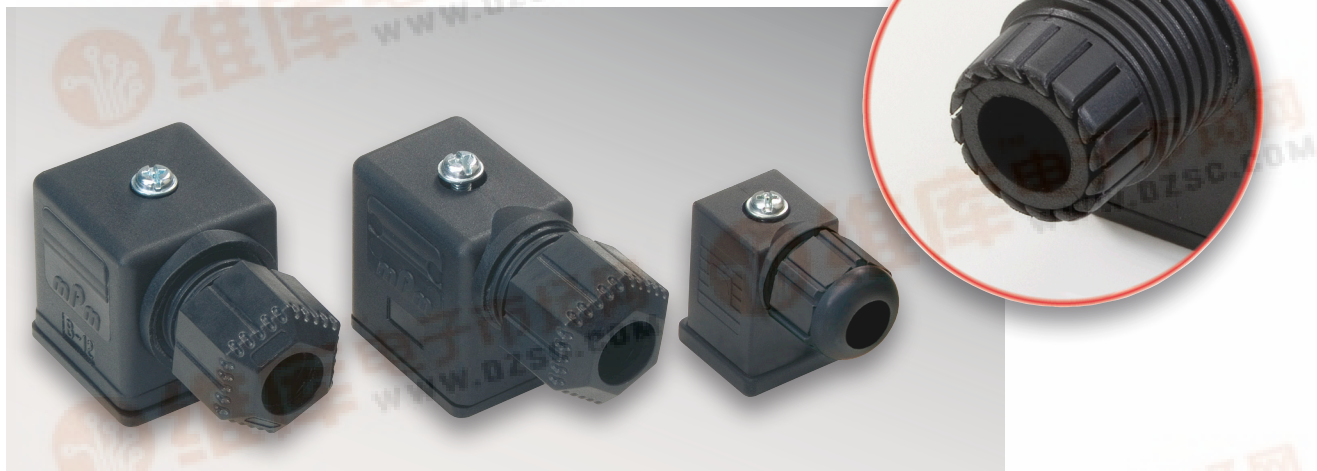
The Brad® mPm® products are recognised throughout the industry for their performance and reliability. The new generation design has an external nut to provide greater and consistent torque which ensures good cable retention, high reliability and together with

the integrated front gasket, a sealing performance from dust and water to IP67. Cable retention force is increased by up to 115% when compared with traditional internal nuts. Traditional Form A and B connectors require three different styles for PG7, PG9 and PG11 cable. However, the new external nut design can accommodate both PG9 and PG11 cable and up to 9mm cable outer diameter and since one size fits all, the customer can reduce their connector inventory.

Molex new generation of DIN connectors is currently available in field attachable Form A and Form B. Form C is under development and will be released late 2009.

- 121201** DIN Form A
- 121207** DIN Form A+Circuit
- 121202** DIN Industrial Form
- 121208** DIN Industrial Form+Circuit
- 121203** DIN Form B
- 121209** DIN Form B+Circuit
- *DIN Form C
- *DIN Form Micro

*Under Development -
Release due late 2009



FEATURES AND BENEFITS

- Unsurpassed IP67 sealing performance
- Accommodates PG9, PG11 and up to 9mm cable outer diameter
- Integrated front gasket within the housing
- Ergonomic external nut design
- Cable retention is increased by 115% compared with internal nut designs
- Fewer components reduces customer inventory and simplifies assembly
- Product is supplied in a ready-to-use condition which saves the customer an estimated 20 seconds dis-assembly time per connector

APPLICATIONS

Industrial

- Solenoid valves
- Pneumatics
- Hydraulics
- Gas valves
- Pressure switches

- Transducers
- Cylinders

Non Automotive-Transport

- Garbage trucks
- On truck crane and lifting equipment

- Used across all markets where signal and power connections are required to perform in a rugged environment



TECHNICAL DESCRIPTION

[查询"121201"供应商](#)

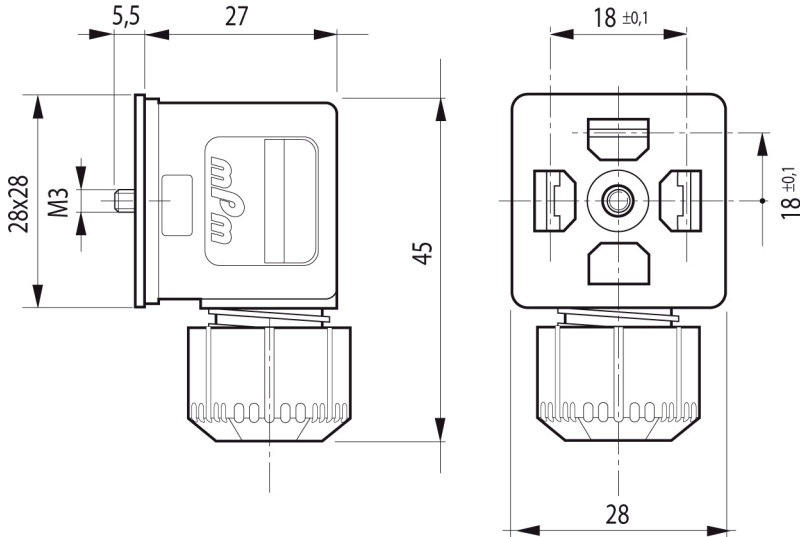


**Brad® mPm® DIN Valve Connectors
New Generation**

EN175301-803
(ex DIN 43650), Form A

121201 - Series C282/283 2/3 poles + ground
121207 - Series S282 2 poles + ground
ELECTRONIC CIRCUIT*

121201 DIN Form A
121207 DIN Form A+Circuit



SPECIFICATIONS

Reference Information

Packaging: Single pack or bulk components

Mechanical

Contact distance: 18 ±0,1
Housing: Glass-filled Polyamide
Ø cable range: 4.00 to 9.00mm

Electrical

Voltage rating:
AC Max. 250V
DC Max. 300V
Max. current 16.0A
Contact resistance ≤ 4mOhm
Max. conductor 1,5mm²/AWG16

Environmental

Protection class: IP67 EN60529
Gasket material:
Nitrile Rubber: -40 to +90°C
Silicon: -40 to +125°C

ORDERING INFORMATION

Order (EDP) N° 1 2 1 2 0 1 0 0 0 3

The Order Number shown is the equivalent of Engineering Number C28200N0RCN only

Engineering N° C 2 8 2 0 0 N 0 R CN

Types

C = without circuit
S = with circuit

Numbers of poles

2 = 2 poles + ground
3 = 3 poles + ground

Colour

N = Black
G = Gray
T = Transparent

Gasket - screw

R = Integrated gasket in Nitrile Rubber + fixing screw IP67
S = Integrated gasket in Silicon + fixing screw IP67

Packaging

CN = Bulk packaging

* An extensive range of standard electronic circuit is available. For example LED illuminating devices, VDR diodes to offer protection against overvoltage or peaks.

TECHNICAL DESCRIPTION

[查询"121201"供应商](#)



**Brad® mPm® DIN Valve Connectors
New Generation**

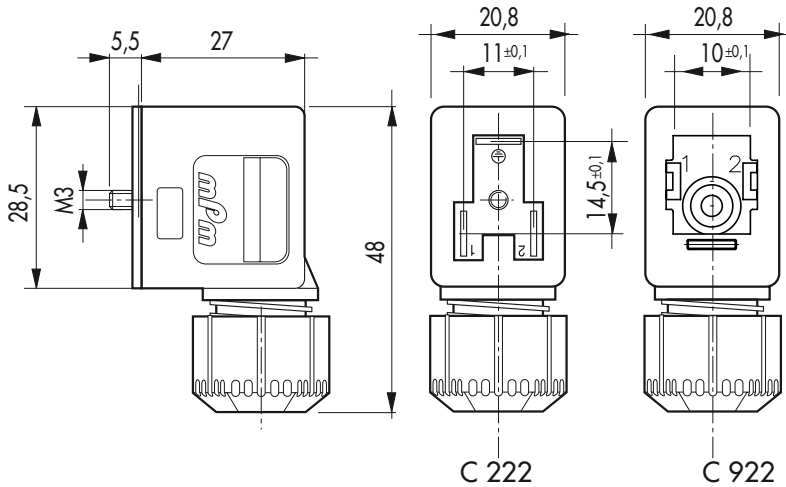
Industrial Form:

121202 - Series C222 2 poles + ground
121208 - Series S222 2 poles + ground
ELECTRONIC CIRCUIT*

EN175301-803
(ex DIN 43650), Form B:

121203 - Series C922 2 poles + ground
121209 - Series S922 2 poles + ground
ELECTRONIC CIRCUIT*

121202 DIN Industrial Form
121208 DIN Industrial Form + Circuit
121203 DIN Form B
121209 DIN Form B+Circuit



SPECIFICATIONS

Reference Information

Packaging: Single pack or bulk components

Mechanical

Contact distance:

222 11 ±0,1
922 10 ±0,1

Housing: Glass-filled Polyamide
Ø cable range: 4.00 to 9.00mm

Electrical

Voltage rating:

AC Max. 250V
DC Max. 300V
Max. current 16.0A

Contact resistance ≤ 4mOhm
Max. conductor 1,5mm²/AWG16

Environmental

Protection class: IP67 EN60529

Gasket material:

Nitrile Rubber: -40 to +90°C
Silicon: -40 to +125°C

ORDERING INFORMATION

Order (EDP) N° 1 2 1 2 0 2 0 0 0 2

The Order Number shown is the equivalent of Engineering Number C22200N0RCN only

Engineering N° C 2 2 2 0 0 N 0 R CN

Types

C = without circuit
S = with circuit

Series

2 = Industrial Form
9 = DIN 43650, Form B (Not available with integrated gasket)

Colour

N = Black
G = Gray
T = Transparent

Gasket - screw

R = Integrated gasket in Nitrile Rubber + fixing screw IP67 (Not available for model C922)
S = Integrated gasket in Silicon + fixing screw IP67 (Not available for model C922)

Packaging

CN = Bulk packaging

* An extensive range of standard electronic circuit is available. For example LED illuminating devices, VDR diodes to offer protection against overvoltage or peaks.

TECHNICAL DESCRIPTION

[查询"121201"供应商](#)



**Brad® mPm® DIN Valve
Connectors
New Generation -
Under Development
available late 2009**

EN175301-803
(ex DIN 43650), Form C:

Series C252/253
Series S252

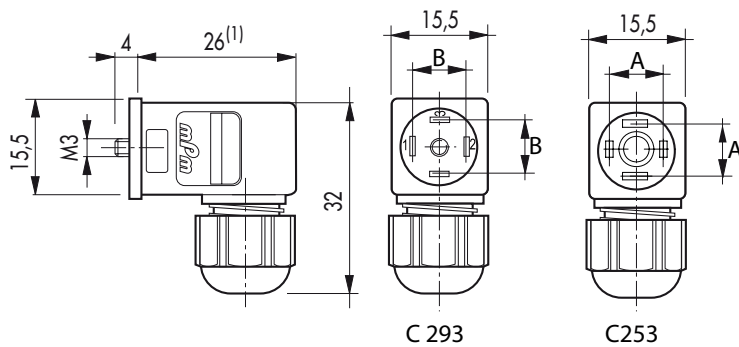
2/3 poles + ground
2 poles + ground
ELECTRONIC CIRCUIT*

Series C292/293
Series S292

2/3 poles + ground
2 poles + ground
ELECTRONIC CIRCUIT*

**DIN Form C
DIN Form C+Circuit**

**DIN Form Micro
DIN Form
Micro+Circuit**



Note		
A	8mm contact distance	
B	9,4mm contact distance	
(1) 26mm	Height	30% increase in the internal volume, previous height was 23,5mm of the housings improves handling, wire routing and speed of assembly. As the housing does not protrude past the toe of the nut, the external 'volume' has not increased and thus has no impact on the customer application

SPECIFICATIONS

Reference Information

Packaging: Single pack or bulk components

Mechanical

Contact distance:
252/253 8 ±0,1
292/293 9,4 ±0,1
Housing: Glass-filled Polyamide
Ø cable range: 3.00 to 5,5mm

Electrical

Voltage rating:
AC Max. 250V
DC Max. 300V
Max. current 10.0A
Contact resistance ≤ 4mOhm
Max. conductor 0,75mm²/AWG18

Environmental

Protection class: IP67 EN60529
Gasket material:
Nitrile Rubber: -40 to +90°C
Silicon: -40 to +125°C

* An extensive range of standard electronic circuit will be available. For example LED illuminating devices, VDR diodes to offer protection against overvoltage or peaks.

www.molex.com/link/dinvalve.html

Americas
Lisle Illinois 60532 U.S.A.
+1-800-78MOLEX
amerinfo@molex.com

Asia Pacific North
Yamato, Kanagawa, Japan
+84-46-265-2325
apninfo@molex.com

Asia Pacific South
Jurong, Singapore
+65-6268-6868
apsinfo@molex.com

Europe
Walldorf, Germany
+49 6227-3091-0
mxgermany@molex.com

Corporate Headquarters
2222 Wellington Ct.
Lisle, IL 60532 U.S.A.
+630-969-4550