

查询"NJM2235V"供应商

3-INPUT VIDEO SWITCH

■ GENERAL DESCRIPTION

The NJM2235 is 3-input video switch for video and audio signal. It has clamp function and so is applied to fixed DC level of video signal. Its operating supply voltage range is 5 to 12V and bandwidth is 10MHz. Crosstalk is 70dB (at 4.43MHz).

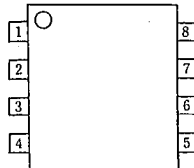
■ FEATURES

- Operating Voltage (+4.75V~+13V)
- 3 Input-1 Output
- Internal Clamp Function
- Wide Operating Supply Voltage Range 4.75~13V
- Cross-talk 70dB (at 4.43MHz)
- Wide Frequency Range 10MHz
- Muting Function available
- Package Outline DIP-8, DMP-8, SIP-8, SSOP-8
- Bipolar Technology

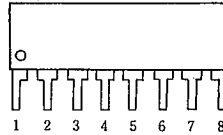
■ APPLICATION

- VCR: Video Camera AV-TV Video Disc Player

■ PIN CONFIGURATION



NJM2235D
NJM2235M
NJM2235V

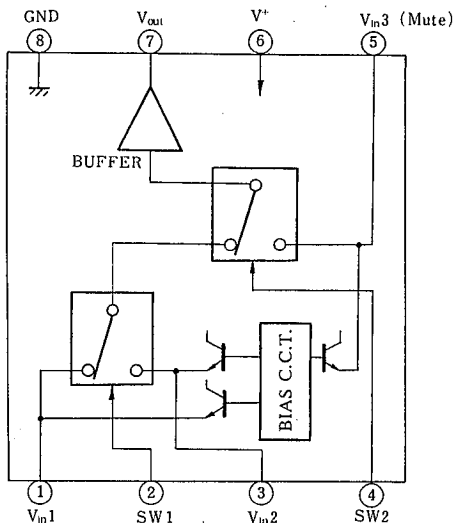


NJM2235L

PIN FUNCTION

1. V_{in1}
2. SW1
3. V_{in2}
4. SW2
5. V_{in3}
6. V^+
7. V_{out}
8. GND

■ BLOCK DIAGRAM



■ INPUT CONTROL SIGNAL - OUTPUT SIGNAL

SW 1	SW 2	OUTPUT SIGNAL
L	L	V_{in1}
H	L	V_{in2}
L/H	H	V_{in3}

[查询"NJM2235V"供应商](#)

■ ABSOLUTE MAXIMUM RATINGS

(Ta=25°C)

PARAMETER	SYMBOL	RATINGS	UNIT
Supply Voltage	V*	15	V
Power Dissipation	P _D	(DIP8) 500	mW
		(DMP8) 300	mW
		(SSOP8) 250	mW
		(SIP8) 800	mW
Operating Temperature Range	T _{opr}	-20~+75	°C
Storage Temperature Range	T _{stg}	-40~+125	°C

■ ELECTRICAL CHARACTERISTICS

(V*=5V, Ta=25°C)

PARAMETER	SYMBOL	TEST CONDITION	MIN.	TYP.	MAX.	UNIT
Recommended Supply Voltage	V*		4.75	—	13.0	V
Operating Current	I _{cc}	S1=S2=S3=S4=S5=1	—	10.5	14.0	mA
Frequency Characteristics	G _{fz}	V _i =2.0Vpp Vo(10Hz)/Vo(100kHz)	-1.0	—	+1.0	dB
Voltage Gain	G _v	V _i =2.5Vpp, 100kHz Vo/V _i	-0.5	—	+0.5	dB
Differential Gain	DG	V _i =2Vpp Staircase signal	—	0	—	%
Differential Phase	DP	V _i =2Vpp Staircase signal	—	0	—	deg
Output Offset Voltage	V _{off}	(note 2)	-30	0	+30	mV
Input Clamp Voltage	V _{ic}	(note 5)	—	2.0	—	V
Crosstalk (1)	CT1	V _i =2.0Vpp, 4.43MHz, V _o /V _i (note 3)	—	-70	—	dB
Crosstalk (2)	CT2	V _i =2.0Vpp, 4.43MHz, V _o /V _i (note 4)	—	-70	—	dB
Switch Change Voltage	V _{ch}	All inside SW : ON	2.4	—	—	V
	V _{cl}	All inside SW : OFF	—	—	0.8	V
Output Impedance	R _o		—	10	—	Ω

(note 1): If it is not shown about switch condition, it is tested on three conditions below.

a) S1=2, S2=S3=S4=S5=1 b) S2=S4=2, S1=S3=S5=1, c) S1=S2=1, S3=S5=2, S4=1 or 2.

(note 2): S1=S2=S3=1, Output DC voltage difference of three mode below.

a) S4=S5=1 b) S4=2, S5=1 c) S4=1 or 2, S5=2

(note 3): S5=1, Tested on all combination of S1~S4 except two below.

a) S1=2, S4=1 b) S2=S4=2

(note 4): Tested on all combination of S1~S4 except one.

a) S5=2, S3=2

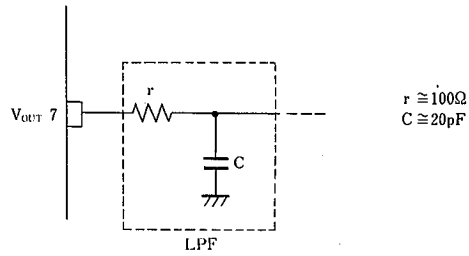
(note 5): Input clamp voltage is about 2/5 of supply voltage.

查询"NJM2235V"供应商

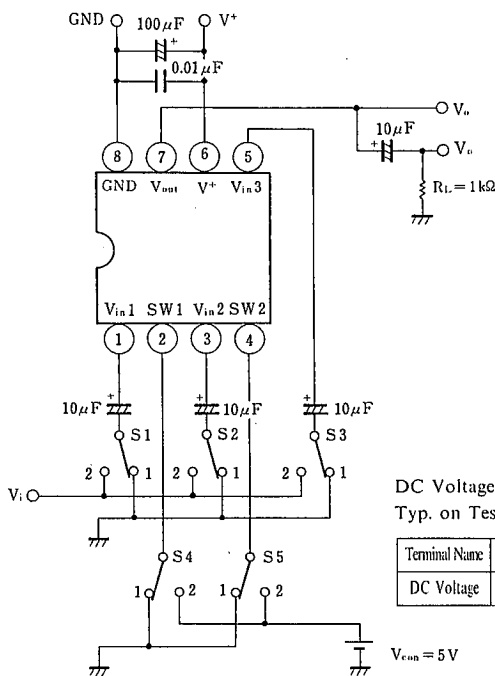
APPLICATION

Oscillation Prevention on light loading conditions
Recommended under circuit

This IC requires $1M\Omega$ resistance between INPUT and GND pin for clamp type input since the minute current causes an unstable pin voltage.



TEST CIRCUIT



DC Voltage Each Terminal
Typ. on Test Circuit $T_a = 25^\circ\text{C}$

Terminal Name	V_{IN1}	SW1	V_{IN2}	SW2	V_{IN3}	V^+	V_{OUT}	GND
DC Voltage	$\frac{2}{3}V^+$	—	$\frac{2}{3}V^+$	—	$\frac{2}{3}V^+$	—	$\frac{2}{3}V^+ - 0.7$	—

$V_{CEN} = 5V$

[查询"NJM2235V"供应商](#)

■ EQUIVALENT CIRCUIT

PIN NO.	PIN FUNCTION	INSIDE EQUIVALENT CIRCUIT	PIN NO.	PIN FUNCTION	INSIDE EQUIVALENT CIRCUIT
1	V _{IN1}		5	V _{IN3} (Mute)	
2	SW1		6	V+	
3	V _{IN2}		7	V _{OUT}	
4	SW2		8	GND	

NJM2235

[查询"NJM2235V"供应商](#)

MEMO

[CAUTION]

The specifications on this databook are only given for information , without any guarantee as regards either mistakes or omissions. The application circuits in this databook are described only to show representative usages of the product and not intended for the guarantee or permission of any right including the industrial rights.