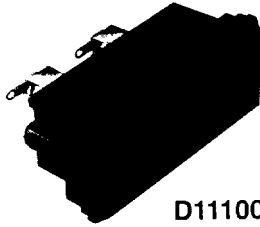


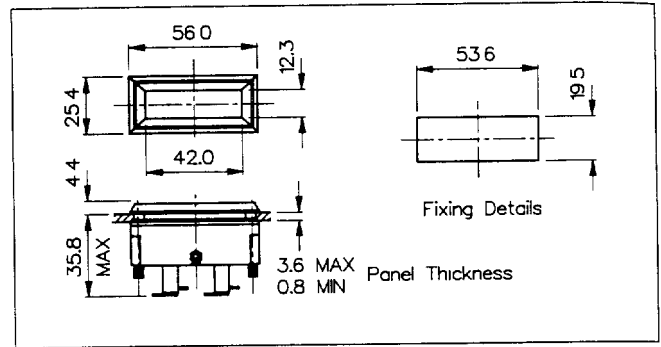


查询"11658"供应商

146-148



D11100, with legend.



Front	Rear	Visual Effect
PNo11659/Colour	PNo11660	Lit coloured background
PNo11660	PNo11659/Colour	White screen becomes coloured when lit
PNo11659/Colour	PNo11658	Lit characters (coloured) on dark background
PNo11659/Colour	PNo11659/WC	Use thin paper or film legend between screens



**N.B.:-** Screens may be cut in half for two colour display. For split screen applications/two colour display, use separator supplied.

Data	List No.	D11100/LL
Terminations:		Solder tags
Max. Working Voltage:		30V a.c./d.c.
Lamp Acceptance:		2 x Screw cap E5 (LES, T1 1/2)
Max. Lamp Dissipation:		3W (total)
Working Temp. Range:		-20°C to +70°C
Insulation Resistance:		> 10 <sup>3</sup> MΩ
H.V. Proof Test:		1kV. a.c.
Materials:		
Body:		Glass Filled Nylon
Bezel:		Glass Filled Nylon
Tags:		Brass, Tin Plated.

Part No.	Colour
11659/Colour (Transparent)	/RD (red), /GN (green), /OR (orange), /BL (blue), /WC (water clear)
11660	White diffuser
11658	Black on white laminated for engraving by user

<b>Screens must be orderd separately</b>	
E.g.	Quantity x D11100/LL Quantity x P.No. 11659/Col Quantity x P.No. 11658