

Silicon PNP Power Transistors

2SB980

DESCRIPTION

- With TO-3PN package
- Wide area of safe operation
- Large current capability

APPLICATIONS

- For audio frequency output applications

PINNING

PIN	DESCRIPTION
1	Base
2	Collector;connected to mounting base
3	Emitter

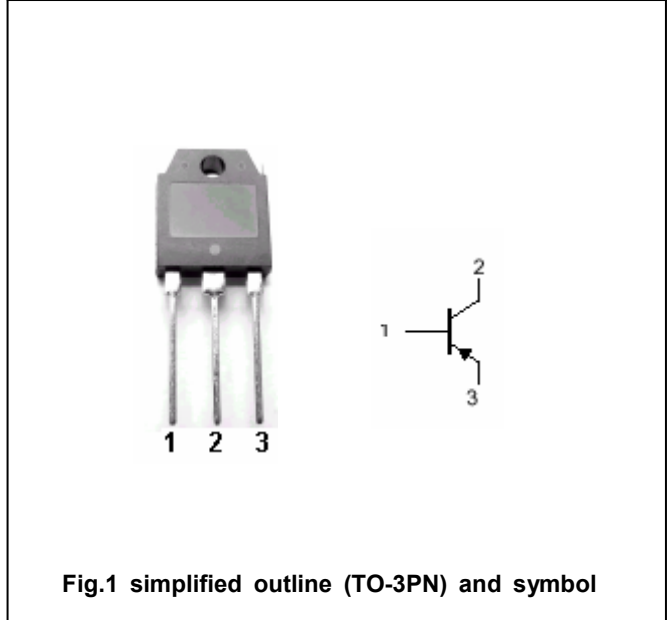


Fig.1 simplified outline (TO-3PN) and symbol

Absolute maximum ratings($T_c=25^\circ\text{C}$)

SYMBOL	PARAMETER	CONDITIONS	VALUE	UNIT
V_{CBO}	Collector-base voltage	Open emitter	-120	V
V_{CEO}	Collector-emitter voltage	Open base	-120	V
V_{EBO}	Emitter-base voltage	Open collector	-5	V
I_C	Collector current (DC)		-6	A
I_{CM}	Collector current-peak		-10	A
P_C	Collector power dissipation	$T_c=25^\circ\text{C}$	70	W
T_j	Junction temperature		150	$^\circ\text{C}$
T_{stg}	Storage temperature		-55~150	$^\circ\text{C}$

Silicon PNP Power Transistors

2SB980

CHARACTERISTICS

T_j=25℃ unless otherwise specified

SYMBOL	PARAMETER	CONDITIONS	MIN	TYP.	MAX	UNIT
V _{(BR)CEO}	Collector-emitter breakdown voltage	I _C =-50mA ;R _{BE} =∞	-120			V
V _{(BR)CBO}	Collector-base breakdown voltage	I _C =-5mA ;I _E =0	-120			V
V _{(BR)EBO}	Emitter-base breakdown voltage	I _E =-5mA ;I _C =0	-5			V
V _{CEsat}	Collector-emitter saturation voltage	I _C =-4A ;I _B =-0.4A			-2.0	V
V _{BE}	Base-emitter on voltage	I _C =-1A;V _{CE} =-5V			-1.5	V
I _{CBO}	Collector cut-off current	V _{CB} =-120V I _E =0			-50	μA
I _{EBO}	Emitter cut-off current	V _{EB} =-5V; I _C =0			-50	μA
h _{FE-1}	DC current gain	I _C =-1A ; V _{CE} =-5V	60		200	
h _{FE-2}	DC current gain	I _C =-3A ; V _{CE} =-5V	20			

PACKAGE OUTLINE

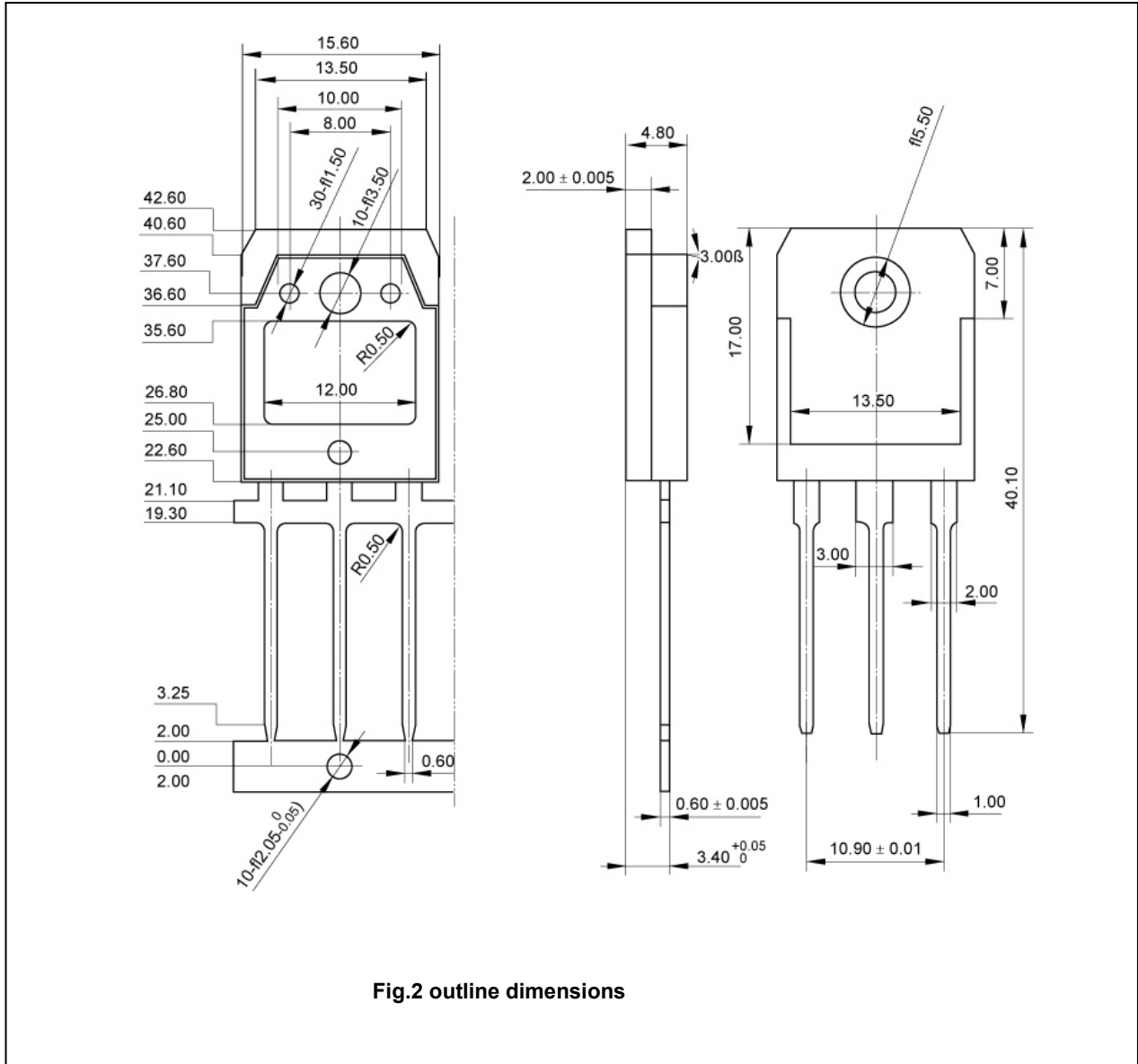


Fig.2 outline dimensions