

## SBS 1.1-COMPLIANT GAS GAUGE AND PROTECTION ENABLED WITH IMPEDANCE TRACK™

Check for Samples: [bq20z65-R1](#)

### FEATURES

- **Next Generation Patented Impedance Track™ Technology Accurately Measures Available Charge in Li-Ion and Li-Polymer Batteries**
  - Better Than 1% Error Over the Lifetime of the Battery
- **Supports the Smart Battery Specification SBS V1.1**
- **Flexible Configuration for 2 to 4 Series Li-Ion and Li-Polymer Cells**
- **Powerful 8-Bit RISC CPU With Ultralow Power Modes**
- **Full Array of Programmable Protection Features**
  - Voltage, Current, and Temperature
- **Satisfies JEITA Guidelines**
- **Added Flexibility to Handle More Complex Charging Profiles**
- **Lifetime Data Logging**
- **Drives 3, 4, and 5 Segment LED Display for Battery-Pack Conditions**
- **Supports SHA-1 Authentication**
- **Complete Battery Protection and Gas Gauge Solution in One Package**
- **Available in a 44-Pin TSSOP (DBT) package**

### APPLICATIONS

- **Notebook PCs**
- **Medical and Test Equipment**
- **Portable Instrumentation**

### DESCRIPTION

The bq20z65-R1 SBS-compliant gas gauge and protection IC, incorporating patented Impedance Track™ technology, is a single IC solution designed for battery-pack or in-system installation. The bq20z65-R1 measures and maintains an accurate record of available charge in Li-ion or Li-polymer batteries using its integrated high-performance analog peripherals. The bq20z65-R1 monitors capacity change, battery impedance, open-circuit voltage, and other critical parameters of the battery pack which reports the information to the system host controller over a serial-communication bus. Together with the integrated analog front-end (AFE) short-circuit and overload protection, the bq20z65-R1 maximizes functionality and safety while minimizing external component count, cost, and size in smart battery circuits.

The implemented Impedance Track™ gas gauging technology continuously analyzes the battery impedance, resulting in superior gas-gauging accuracy. This enables remaining capacity to be calculated with discharge rate, temperature, and cell aging all accounted for during each stage of every cycle with high accuracy.

**Table 1. AVAILABLE OPTIONS**

$T_A$	PACKAGE <sup>(1)</sup>	
	44-PIN TSSOP (DBT) Tube	44-PIN TSSOP (DBT) Tape and Reel
–40°C to 85°C	bq20z65-R1DBT <sup>(2)</sup>	bq20z65-R1DBTR <sup>(3)</sup>

- (1) For the most current package and ordering information, see the Package Option Addendum at the end of this document, or see the TI website at [www.ti.com](http://www.ti.com).
- (2) A single tube quantity is 40 units.
- (3) A single reel quantity is 2000 units



Please be aware that an important notice concerning availability, standard warranty, and use in critical applications of Texas Instruments semiconductor products and disclaimers thereto appears at the end of this data sheet.

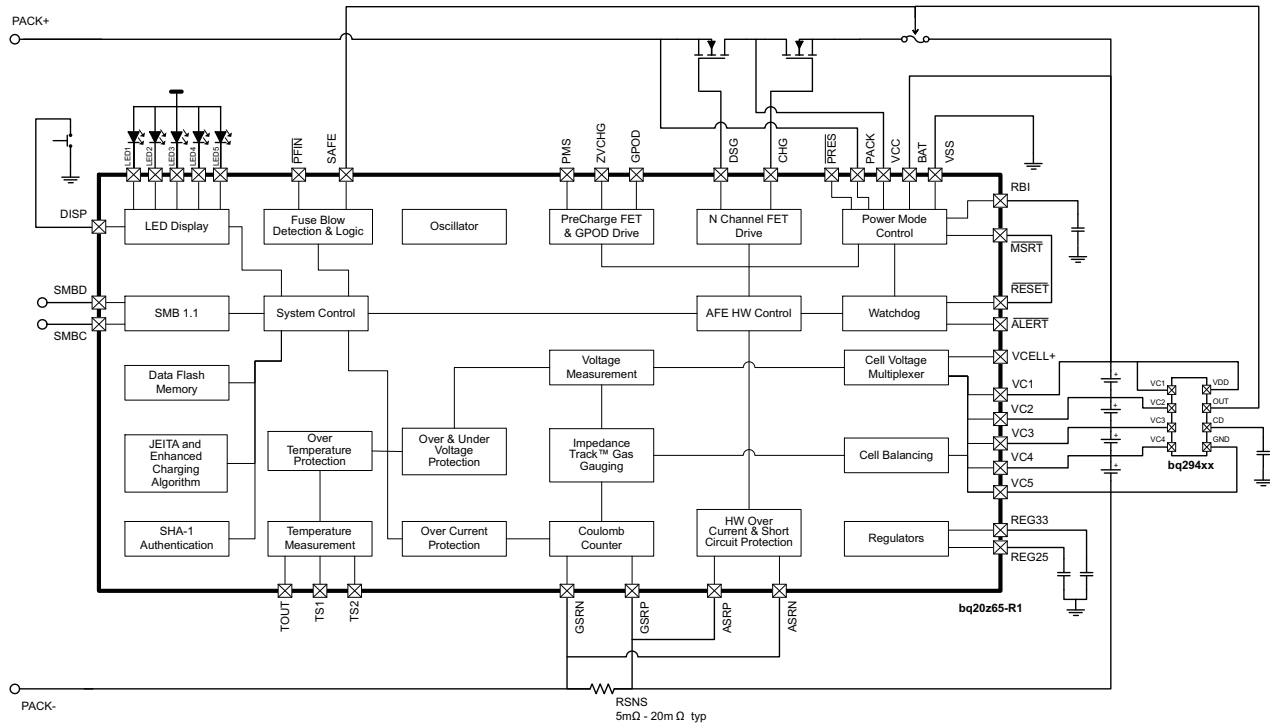
Impedance Track is a trademark of Texas Instruments.



This integrated circuit can be damaged by ESD. Texas Instruments recommends that all integrated circuits be handled with appropriate precautions. Failure to observe proper handling and installation procedures can cause damage.

ESD damage can range from subtle performance degradation to complete device failure. Precision integrated circuits may be more susceptible to damage because very small parametric changes could cause the device not to meet its published specifications.

### SYSTEM PARTITIONING DIAGRAM



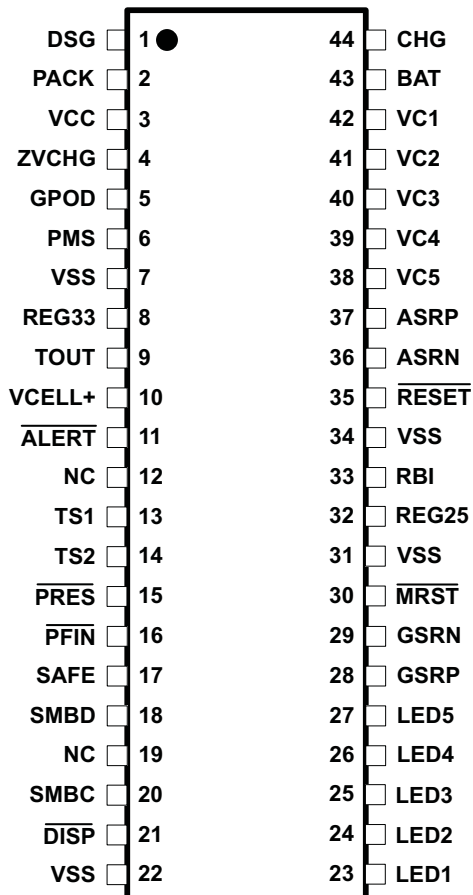
### PACKAGE THERMAL DATA

Table 2.

DEVICE	PACKAGE	$\theta_{ja}$	$T_A \leq 25^\circ\text{C}$ POWER RATING	DERATING FACTOR $T_A > 25^\circ\text{C}$	$T_A = 70^\circ\text{C}$ POWER RATING	$T_A = 85^\circ\text{C}$ POWER RATING
bq20z65-R1	TSSOP-44	47.6°C/W	2101mW	21.01mw/°C	1155mW	840mW

PACKAGE PINOUT DIAGRAM

bq20z65-R1  
DBT PACKAGE  
(TOP VIEW)



### TERMINAL FUNCTIONS

TERMINAL		I/O <sup>(1)</sup>	DESCRIPTION
NO.	NAME		
1	DSG	O	High side N-chan discharge FET gate drive
2	PACK	IA, P	Battery pack input voltage sense input. It also serves as device wake up when device is in shutdown mode.
3	VCC	P	Positive device supply input. Connect to the center connection of the CHG FET and DSG FET to ensure device supply either from battery stack or battery pack input
4	ZVCHG	O	P-chan pre-charge FET gate drive
5	GPOD	OD	High voltage general purpose open drain output. Can be configured to be used in pre-charge condition
6	PMS	I	Pre-charge mode setting input. Connect to PACK to enable 0v pre-charge using charge FET connected at CHG pin. Connect to VSS to disable 0V pre-charge using charge FET connected at CHG pin.
7	VSS	P	Negative supply voltage input. Connect all VSS pins together for operation of device
8	REG33	P	3.3V regulator output. Connect at least a 2.2μF capacitor to REG33 and VSS
9	TOUT	P	Thermistor bias supply output
10	VCELL+	-	Internal cell voltage multiplexer and amplifier output. Connect a 0.1μF capacitor to VCELL+ and VSS
11	$\overline{\text{ALERT}}$	OD	Alert output. In case of short circuit condition, overload condition and watchdog time out this pin will be triggered.
12	NC	-	Not used - leave floating
13	TS1	IA	1 <sup>st</sup> Thermistor voltage input connection to monitor temperature
14	TS2	IA	2 <sup>nd</sup> Thermistor voltage input connection to monitor temperature
15	$\overline{\text{PRES}}$	I	Active low input to sense system insertion. Typically requires additional ESD protection.
16	$\overline{\text{PFIN}}$	I	Active low input to detect secondary protector status, and to allow the bq20z65-R1 to report the status of the 2 <sup>nd</sup> level protection input.
17	SAFE	OD	Active high output to enforce additional level of safety protection; e.g., fuse blow.
18	SMBD	I/OD	SMBus data open-drain bidirectional pin used to transfer address and data to and from the bq20z65-R1
19	NC	-	Not used - leave floating
20	SMBC	I/OD	SMBus clock open-drain bidirectional pin used to clock the data transfer to and from the bq20z65-R1
21	$\overline{\text{DISP}}$	I	Display control for the LEDs. This pin is typically connected to VCC via a 100kΩ resistor and a push button switch connected to VSS.
22	VSS	P	Negative supply voltage input. Connect all VSS pins together for operation of device
23	LED1	I	LED1 display segment that drives an external LED depending on the firmware configuration
24	LED2	I	LED2 display segment that drives an external LED depending on the firmware configuration
25	LED3	I	LED3 display segment that drives an external LED depending on the firmware configuration
26	LED4	I	LED4 display segment that drives an external LED depending on the firmware configuration
27	LED5	I	LED5 display segment that drives an external LED depending on the firmware configuration
28	GSRP	IA	Coulomb counter differential input. Connect to one side of the sense resistor
29	GSRN	IA	Coulomb counter differential input. Connect to one side of the sense resistor
30	$\overline{\text{MRST}}$	I	Master reset input that forces the device into reset when held low. Must be held high for normal operation. Connect to $\overline{\text{RESET}}$ for correct operation of device
31	VSS	P	Negative supply voltage input. Connect all VSS pins together for operation of device
32	REG25	P	2.5V regulator output. Connect at least a 1mF capacitor to REG25 and VSS
33	RBI	P	RAM / Register backup input. Connect a capacitor to this pin and VSS to protect loss of RAM / Register data in case of short circuit condition.
34	VSS	P	Negative supply voltage input. Connect all VSS pins together for operation of device
35	$\overline{\text{RESET}}$	O	Reset output. Connect to $\overline{\text{MRST}}$ .
36	ASRN	IA	Short circuit and overload detection differential input. Connect to sense resistor
37	ASRP	IA	Short circuit and overload detection differential input. Connect to sense resistor

(1) I = Input, IA = Analog input, I/O = Input/output, I/OD = Input/Open-drain output, O = Output, OA = Analog output, P = Power

**TERMINAL FUNCTIONS (continued)**

TERMINAL		I/O <sup>(1)</sup>	DESCRIPTION
NO.	NAME		
38	VC5	IA, P	Cell voltage sense input and cell balancing input for the negative voltage of the bottom cell in cell stack.
39	VC4	IA, P	Cell voltage sense input and cell balancing input for the positive voltage of the bottom cell and the negative voltage of the second lowest cell in cell stack.
40	VC3	IA, P	Cell voltage sense input and cell balancing input for the positive voltage of the second lowest cell in cell stack and the negative voltage of the second highest cell in 4 cell applications.
41	VC2	IA, P	Cell voltage sense input and cell balancing input for the positive voltage of the second highest cell and the negative voltage of the highest cell in 4 cell applications. Connect to VC3 in 2 cell stack applications.
42	VC1	IA, P	Cell voltage sense input and cell balancing input for the positive voltage of the highest cell in cell stack in 4 cell applications. Connect to VC2 in 3 or 2 cell stack applications.
43	BAT	I, P	Battery stack voltage sense input.
44	CHG	O	High side N-channel charge FET gate drive

**ABSOLUTE MAXIMUM RATINGS**

 Over operating free-air temperature (unless otherwise noted) <sup>(1)</sup>

	PIN	UNIT
$V_{SS}$ Supply voltage range	BAT, VCC	-0.3 V to 34 V
	PACK, PMS	-0.3 V to 34 V
	VC(n)-VC(n+1); n = 1, 2, 3, 4	-0.3 V to 8.5 V
	VC1, VC2, VC3, VC4	-0.3 V to 34 V
	VC5	-0.3 V to 1 V
$V_{IN}$ Input voltage range	$\overline{PFIN}$ , $\overline{SMBD}$ , $\overline{SMBC}$ , LED1, LED2, LED3, LED4, LED5, DISP	-0.3 V to 6 V
	TS1, TS2, SAFE, VCELL+, $\overline{PRES}$ , $\overline{ALERT}$	-0.3 V to $V_{(REG25)} + 0.3$ V
	$\overline{MRST}$ , GSRN, GSRP, RBI	-0.3 V to $V_{(REG25)} + 0.3$ V
	ASRN, ASRP	-1 V to 1 V
$V_{OUT}$ Output voltage range	DSG, CHG, GPOD	-0.3 V to 34 V
	ZVCHG	-0.3 V to $V_{(BAT)}$
	TOUT, $\overline{ALERT}$ , REG33	-0.3 V to 6 V
	$\overline{RESET}$	-0.3 V to 7 V
	REG25	-0.3 V to 2.75 V
$I_{SS}$ Maximum combined sink current for input pins	$\overline{PRES}$ , $\overline{PFIN}$ , $\overline{SMBD}$ , $\overline{SMBC}$ , LED1, LED2, LED3, LED4, LED5	50 mA
$T_A$ Operating free-air temperature range		-40°C to 85°C
$T_F$ Functional temperature		-40°C to 100°C
$T_{stg}$ Storage temperature range		-65°C to 150°C

(1) Stresses beyond those listed under absolute maximum ratings may cause permanent damage to the device. These are stress ratings only, and functional operation of the device at these or any other conditions beyond those indicated under recommended operating conditions is not implied. Exposure to absolute-maximum-rated conditions for extended periods may affect device reliability.

**RECOMMENDED OPERATING CONDITIONS**

Over operating free-air temperature range (unless otherwise noted)

	PIN	MIN	NOM	MAX	UNIT
$V_{SS}$ Supply voltage	VCC, BAT	4.5		25	V
$V_{(STARTUP)}$ Minimum startup voltage	VCC, BAT, PACK	5.5			V

## RECOMMENDED OPERATING CONDITIONS (continued)

Over operating free-air temperature range (unless otherwise noted)

		PIN	MIN	NOM	MAX	UNIT
V <sub>IN</sub>	Input voltage range	VC(n)-VC(n+1); n = 1,2,3,4	0		5	V
		VC1, VC2, VC3, VC4	0		V <sub>SS</sub>	V
		VC5	0		0.5	V
		ASRN, ASRP	-0.5		0.5	V
		PACK, PMS	0		25	V
V <sub>(GPOD)</sub>	Output voltage range	GPOD	0		25	V
I <sub>(GPOD)</sub>	Drain current <sup>(1)</sup>	GPOD			1	mA
C <sub>(REG25)</sub>	2.5V LDO capacitor	REG25	1			μF
C <sub>(REG33)</sub>	3.3V LDO capacitor	REG33	2.2			μF
C <sub>(VCELL+)</sub>	Cell voltage output capacitor	VCELL+	0.1			μF
R <sub>(PACK)</sub>	PACK input block resistor <sup>(2)</sup>	PACK	1			kΩ

- (1) Use an external resistor to limit the current to GPOD to 1mA in high voltage application.  
 (2) Use an external resistor to limit the inrush current PACK pin required.

## ELECTRICAL CHARACTERISTICS

Over operating free-air temperature range (unless otherwise noted),  $T_A = -40^{\circ}\text{C}$  to  $85^{\circ}\text{C}$ ,  $V_{(\text{REG25})} = 2.41\text{ V}$  to  $2.59\text{ V}$ ,  $V_{(\text{BAT})} = 14\text{ V}$ ,  $C_{(\text{REG25})} = 1\text{ }\mu\text{F}$ ,  $C_{(\text{REG33})} = 2.2\text{ }\mu\text{F}$ ; typical values at  $T_A = 25^{\circ}\text{C}$  (unless otherwise noted)

PARAMETER	TEST CONDITIONS	MIN	TYP	MAX	UNIT	
<b>SUPPLY CURRENT</b>						
$I_{(\text{NORMAL})}$	Firmware running		550		$\mu\text{A}$	
$I_{(\text{SLEEP})}$	Sleep mode	CHG FET on; DSG FET on	124		$\mu\text{A}$	
		CHG FET off; DSG FET on	90		$\mu\text{A}$	
		CHG FET off; DSG FET off	52		$\mu\text{A}$	
$I_{(\text{SHUTDOWN})}$	Shutdown mode		0.1	1	$\mu\text{A}$	
<b>SHUTDOWN WAKE; <math>T_A = 25^{\circ}\text{C}</math> (unless otherwise noted)</b>						
$I_{(\text{PACK})}$	Shutdown exit at $V_{\text{STARTUP}}$ threshold			1	$\mu\text{A}$	
<b>SRx WAKE FROM SLEEP; <math>T_A = 25^{\circ}\text{C}</math> (unless otherwise noted)</b>						
$V_{(\text{WAKE})}$	Positive or negative wake threshold with 1.00 mV, 2.25 mV, 4.5 mV and 9 mV programmable options		1.25	10	mV	
$V_{(\text{WAKE\_ACR})}$	Accuracy of $V_{(\text{WAKE})}$	$V_{(\text{WAKE})} = 1\text{ mV};$ $I_{(\text{WAKE})} = 0, \text{RSNS1} = 0, \text{RSNS0} = 1;$	-0.7	0.7	mV	
		$V_{(\text{WAKE})} = 2.25\text{ mV};$ $I_{(\text{WAKE})} = 1, \text{RSNS1} = 0, \text{RSNS0} = 1;$ $I_{(\text{WAKE})} = 0, \text{RSNS1} = 1, \text{RSNS0} = 0;$	-0.8	0.8		
		$V_{(\text{WAKE})} = 4.5\text{ mV};$ $I_{(\text{WAKE})} = 1, \text{RSNS1} = 1, \text{RSNS0} = 1;$ $I_{(\text{WAKE})} = 0, \text{RSNS1} = 1, \text{RSNS0} = 0;$	-1.0	1.0		
		$V_{(\text{WAKE})} = 9\text{ mV};$ $I_{(\text{WAKE})} = 1, \text{RSNS1} = 1, \text{RSNS0} = 1;$	-1.4	1.4		
$V_{(\text{WAKE\_TCO})}$	Temperature drift of $V_{(\text{WAKE})}$ accuracy		0.5		$\%/^{\circ}\text{C}$	
$t_{(\text{WAKE})}$	Time from application of current and wake of bq20z65-R1		1	10	ms	
<b>WATCHDOG TIMER</b>						
$t_{\text{WDTINT}}$	Watchdog start up detect time		250	500	1000	ms
$t_{\text{WDWT}}$	Watchdog detect time		50	100	150	$\mu\text{s}$
<b>2.5V LDO; <math>I_{(\text{REG33OUT})} = 0\text{ mA}</math>; <math>T_A = 25^{\circ}\text{C}</math> (unless otherwise noted)</b>						
$V_{(\text{REG25})}$	Regulator output voltage	$4.5 < \text{VCC}$ or $\text{BAT} < 25\text{ V};$ $I_{(\text{REG25OUT})} \leq 16\text{ mA};$ $T_A = -40^{\circ}\text{C}$ to $100^{\circ}\text{C}$	2.41	2.5	2.59	V
$\Delta V_{(\text{REG25TEMP})}$	Regulator output change with temperature	$I_{(\text{REG25OUT})} = 2\text{ mA};$ $T_A = -40^{\circ}\text{C}$ to $100^{\circ}\text{C}$		$\pm 0.2$		%
$\Delta V_{(\text{REG25LINE})}$	Line regulation	$5.4 < \text{VCC}$ or $\text{BAT} < 25\text{ V};$ $I_{(\text{REG25OUT})} = 2\text{ mA}$		3	10	mV
$\Delta V_{(\text{REG25LOA})}$	Load regulation	$0.2\text{ mA} \leq I_{(\text{REG25OUT})} \leq 2\text{ mA}$		7	25	mV
		$0.2\text{ mA} \leq I_{(\text{REG25OUT})} \leq 16\text{ mA}$		25	50	
$I_{(\text{REG25MAX})}$	Current limit	drawing current until $\text{REG25} = 2\text{ V}$ to $0\text{ V}$	5	40	75	mA
<b>3.3V LDO; <math>I_{(\text{REG25OUT})} = 0\text{ mA}</math>; <math>T_A = 25^{\circ}\text{C}</math> (unless otherwise noted)</b>						
$V_{(\text{REG33})}$	Regulator output voltage	$4.5 < \text{VCC}$ or $\text{BAT} < 25\text{ V};$ $I_{(\text{REG33OUT})} \leq 25\text{ mA};$ $T_A = -40^{\circ}\text{C}$ to $100^{\circ}\text{C}$	3	3.3	3.6	V
$\Delta V_{(\text{REG33TEMP})}$	Regulator output change with temperature	$I_{(\text{REG33OUT})} = 2\text{ mA};$ $T_A = -40^{\circ}\text{C}$ to $100^{\circ}\text{C}$		$\pm 0.2$		%
$\Delta V_{(\text{REG33LINE})}$	Line regulation	$5.4 < \text{VCC}$ or $\text{BAT} < 25\text{ V};$ $I_{(\text{REG33OUT})} = 2\text{ mA}$		3	10	mV
$\Delta V_{(\text{REG33LOA})}$	Load regulation	$0.2\text{ mA} \leq I_{(\text{REG33OUT})} \leq 2\text{ mA}$		7	17	mV
		$0.2\text{ mA} \leq I_{(\text{REG33OUT})} \leq 25\text{ mA}$		40	100	
$I_{(\text{REG33MAX})}$	Current limit	drawing current until $\text{REG33} = 3\text{ V}$	25	100	145	mA
		short $\text{REG33}$ to $\text{VSS}$ , $\text{REG33} = 0\text{ V}$	12		65	
<b>THERMISTOR DRIVE</b>						

## ELECTRICAL CHARACTERISTICS (continued)

Over operating free-air temperature range (unless otherwise noted),  $T_A = -40^\circ\text{C}$  to  $85^\circ\text{C}$ ,  $V_{(\text{REG25})} = 2.41\text{ V}$  to  $2.59\text{ V}$ ,  $V_{(\text{BAT})} = 14\text{ V}$ ,  $C_{(\text{REG25})} = 1\text{ }\mu\text{F}$ ,  $C_{(\text{REG33})} = 2.2\text{ }\mu\text{F}$ ; typical values at  $T_A = 25^\circ\text{C}$  (unless otherwise noted)

PARAMETER		TEST CONDITIONS	MIN	TYP	MAX	UNIT
$V_{(\text{TOUT})}$	Output voltage	$I_{(\text{TOUT})} = 0\text{ mA}$ ; $T_A = 25^\circ\text{C}$		$V_{(\text{REG25})}$		V
$R_{\text{DS(on)}}$	TOUT pass element resistance	$I_{(\text{TOUT})} = 1\text{ mA}$ ; $R_{\text{DS(on)}} = (V_{(\text{REG25})} - V_{(\text{TOUT})}) / 1\text{ mA}$ ; $T_A = -40^\circ\text{C}$ to $100^\circ\text{C}$		50	100	$\Omega$
<b>LED OUTPUTS</b>						
$V_{\text{OL}}$	Output low voltage	LED1, LED2, LED3, LED4, LED5			0.4	V
<b>VCELL+ HIGH VOLTAGE TRANSLATION</b>						
$V_{(\text{VCELL+OUT})}$	Translation output	$VC(n) - VC(n+1) = 0\text{ V}$ ; $T_A = -40^\circ\text{C}$ to $100^\circ\text{C}$	0.950	0.975	1	V
		$VC(n) - VC(n+1) = 4.5\text{ V}$ ; $T_A = -40^\circ\text{C}$ to $100^\circ\text{C}$	0.275	0.3	0.375	
$V_{(\text{VCELL+REF})}$	Translation output	internal AFE reference voltage ; $T_A = -40^\circ\text{C}$ to $100^\circ\text{C}$	0.965	0.975	0.985	V
$V_{(\text{VCELL+PACK})}$		Voltage at PACK pin; $T_A = -40^\circ\text{C}$ to $100^\circ\text{C}$	$0.98 \times V_{(\text{PACK})}/18$	$V_{(\text{PACK})}/18$	$1.02 \times V_{(\text{PACK})}/18$	
$V_{(\text{VCELL+BAT})}$		Voltage at BAT pin; $T_A = -40^\circ\text{C}$ to $100^\circ\text{C}$	$0.98 \times V_{(\text{BAT})}/18$	$V_{(\text{BAT})}/18$	$1.02 \times V_{(\text{BAT})}/18$	
$\text{CMMR}$	Common mode rejection ratio	VCELL+	40			dB
K	Cell scale factor	$K = \{V_{\text{CELL+ output}}(VC5=0V; VC4=4.5V) - V_{\text{CELL+ output}}(VC5=0V; VC4=0V)\}/4.5$	0.147	0.150	0.153	
		$K = \{V_{\text{CELL+ output}}(VC2=13.5V; VC1=18V) - V_{\text{CELL+ output}}(VC5=13.5V; VC1=13.5V)\}/4.5$	0.147	0.150	0.153	
$I_{(\text{VCELL+OUT})}$	Drive Current to VCELL+ capacitor	$VC(n) - VC(n+1) = 0V$ ; $V_{\text{CELL+}} = 0\text{ V}$ ; $T_A = -40^\circ\text{C}$ to $100^\circ\text{C}$	12	18		$\mu\text{A}$
$V_{(\text{VCELL+O})}$	CELL offset error	CELL output ( $VC2 = VC1 = 18\text{ V}$ ) - CELL output ( $VC2 = VC1 = 0\text{ V}$ )	-18	-1	18	mV
$I_{\text{VcnL}}$	VC(n) pin leakage current	VC1, VC2, VC3, VC4, VC5 = 3 V	-1	0.01	1	$\mu\text{A}$
<b>CELL BALANCING</b>						
$R_{\text{BAL}}$	internal cell balancing FET resistance	$R_{\text{DS(on)}}$ for internal FET switch at $V_{\text{DS}} = 2\text{ V}$ ; $T_A = 25^\circ\text{C}$	200	400	600	$\Omega$
<b>HARDWARE SHORT CIRCUIT AND OVERLOAD PROTECTION; <math>T_A = 25^\circ\text{C}</math> (unless otherwise noted)</b>						
$V_{(\text{OL})}$	OL detection threshold voltage accuracy	$V_{\text{OL}} = 25\text{ mV}$ (min)	15	25	35	mV
		$V_{\text{OL}} = 100\text{ mV}$ ; $\text{RSNS} = 0, 1$	90	100	110	
		$V_{\text{OL}} = 205\text{ mV}$ (max)	185	205	225	
$V_{(\text{SCC})}$	SCC detection threshold voltage accuracy	$V_{(\text{SCC})} = 50\text{ mV}$ (min)	30	50	70	mV
		$V_{(\text{SCC})} = 200\text{ mV}$ ; $\text{RSNS} = 0, 1$	180	200	220	
		$V_{(\text{SCC})} = 475\text{ mV}$ (max)	428	475	523	
$V_{(\text{SCD})}$	SCD detection threshold voltage accuracy	$V_{(\text{SCD})} = -50\text{ mV}$ (min)	-30	-50	-70	mV
		$V_{(\text{SCD})} = -200\text{ mV}$ ; $\text{RSNS} = 0, 1$	-180	-200	-220	
		$V_{(\text{SCD})} = -475\text{ mV}$ (max)	-428	-475	-523	
$t_{\text{da}}$	Delay time accuracy		$\pm 15.25$			$\mu\text{s}$
$t_{\text{pd}}$	Protection circuit propagation delay		50			$\mu\text{s}$
<b>FET DRIVE CIRCUIT; <math>T_A = 25^\circ\text{C}</math> (unless otherwise noted)</b>						
$V_{(\text{DSGON})}$	DSG pin output on voltage	$V_{(\text{DSGON})} = V_{(\text{DSG})} - V_{(\text{PACK})}$ ; $V_{(\text{GS})}$ connected to $10\text{ M}\Omega$ ; DSG and CHG on; $T_A = -40^\circ\text{C}$ to $100^\circ\text{C}$	8	12	16	V
$V_{(\text{CHGON})}$	CHG pin output on voltage	$V_{(\text{CHGON})} = V_{(\text{CHG})} - V_{(\text{BAT})}$ ; $V_{(\text{GS})} = 10\text{ M}\Omega$ ; DSG and CHG on; $T_A = -40^\circ\text{C}$ to $100^\circ\text{C}$	8	12	16	V
$V_{(\text{DSGOFF})}$	DSG pin output off voltage	$V_{(\text{DSGOFF})} = V_{(\text{DSG})} - V_{(\text{PACK})}$			0.2	V
$V_{(\text{CHGOFF})}$	CHG pin output off voltage	$V_{(\text{CHGOFF})} = V_{(\text{CHG})} - V_{(\text{BAT})}$			0.2	V
$t_r$	Rise time	$C_L = 4700\text{ pF}$	$V_{(\text{CHG})}; V_{(\text{PACK})} \geq V_{(\text{PACK})} + 4V$	400	1000	$\mu\text{s}$
			$V_{(\text{DSG})}; V_{(\text{BAT})} \geq V_{(\text{BAT})} + 4V$	400	1000	



**ELECTRICAL CHARACTERISTICS (continued)**

Over operating free-air temperature range (unless otherwise noted),  $T_A = -40^\circ\text{C}$  to  $85^\circ\text{C}$ ,  $V_{(\text{REG25})} = 2.41\text{ V}$  to  $2.59\text{ V}$ ,  $V_{(\text{BAT})} = 14\text{ V}$ ,  $C_{(\text{REG25})} = 1\text{ }\mu\text{F}$ ,  $C_{(\text{REG33})} = 2.2\text{ }\mu\text{F}$ ; typical values at  $T_A = 25^\circ\text{C}$  (unless otherwise noted)

PARAMETER		TEST CONDITIONS		MIN	TYP	MAX	UNIT
$t_f$	Fall time	$C_L = 4700\text{ pF}$	$V_{(\text{CHG})}: V_{(\text{PACK})} + V_{(\text{CHGON})} \geq V_{(\text{PACK})} + 1\text{ V}$		40	200	$\mu\text{s}$
			$V_{(\text{DSG})}: VC1 + V_{(\text{DSGON})} \geq VC1 + 1\text{ V}$		40	200	
$V_{(\text{ZVCHG})}$	ZVCHG clamp voltage	BAT = 4.5 V		3.3	3.5	3.7	V
<b>LOGIC; <math>T_A = -40^\circ\text{C}</math> to <math>100^\circ\text{C}</math> (unless otherwise noted)</b>							
$R_{(\text{PULLUP})}$	Internal pullup resistance	$\overline{\text{ALERT}}$		60	100	200	k $\Omega$
		$\overline{\text{RESET}}$		1	3	6	
$V_{\text{OL}}$	Logic low output voltage level	$\overline{\text{ALERT}}$			0.2		V
		$\overline{\text{RESET}}; V_{(\text{BAT})} = 7\text{ V}; V_{(\text{REG25})} = 1.5\text{ V}; I_{(\overline{\text{RESET}})} = 200\text{ }\mu\text{A}$			0.4		
		GPOD; $I_{(\text{GPOD})} = 50\text{ }\mu\text{A}$			0.6		
<b>LOGIC SMBC, SMBD, <math>\overline{\text{PFIN}}</math>, <math>\overline{\text{PRES}}</math>, SAFE, ALERT, DISP</b>							
$V_{\text{IH}}$	High-level input voltage			2.0			V
$V_{\text{IL}}$	Low-level input voltage					0.8	V
$V_{\text{OH}}$	Output voltage high <sup>(1)</sup>	$I_L = -0.5\text{ mA}$		$V_{\text{REG25}} - 0.5$			V
$V_{\text{OL}}$	Low-level output voltage	$\overline{\text{PRES}}, \overline{\text{PFIN}}, \overline{\text{ALERT}}, \overline{\text{DISP}}; I_L = 7\text{ mA};$				0.4	V
$C_I$	Input capacitance				5		pF
$I_{(\text{SAFE})}$	SAFE source currents	SAFE active, $\text{SAFE} = V_{(\text{REG25})} - 0.6\text{ V}$		-3			mA
$I_{\text{ikg}(\text{SAFE})}$	SAFE leakage current	SAFE inactive		-0.2		0.2	$\mu\text{A}$
$I_{\text{ikg}}$	Input leakage current					1	$\mu\text{A}$
<b>ADC<sup>(2)</sup></b>							
	Input voltage range	TS1, TS2, using Internal $V_{\text{ref}}$		-0.2		1	V
	Conversion time				31.5		ms
	Resolution (no missing codes)			16			bits
	Effective resolution			14	15		bits
	Integral nonlinearity					$\pm 0.03$	%FSR <sup>(3)</sup>
	Offset error <sup>(4)</sup>				140	250	$\mu\text{V}$
	Offset error drift <sup>(4)</sup>	$T_A = 25^\circ\text{C}$ to $85^\circ\text{C}$			2.5	18	$\mu\text{V}/^\circ\text{C}$
	Full-scale error <sup>(5)</sup>				$\pm 0.1\%$	$\pm 0.7\%$	
	Full-scale error drift				50		PPM/ $^\circ\text{C}$
	Effective input resistance <sup>(6)</sup>			8			M $\Omega$
<b>COULOMB COUNTER</b>							
	Input voltage range			-0.20		0.20	V
	Conversion time	Single conversion			250		ms
	Effective resolution	Single conversion		15			bits
	Integral nonlinearity	-0.1 V to 0.20 V			$\pm 0.007$	$\pm 0.034$	%FSR
		-0.20 V to -0.1 V			$\pm 0.007$		
	Offset error <sup>(7)</sup>	$T_A = 25^\circ\text{C}$ to $85^\circ\text{C}$			10		$\mu\text{V}$
	Offset error drift				0.4	0.7	$\mu\text{V}/^\circ\text{C}$
	Full-scale error <sup>(8)</sup> <sup>(9)</sup>				$\pm 0.35\%$		
	Full-scale error drift				150		PPM/ $^\circ\text{C}$

(1) RC[0:7] bus

(2) Unless otherwise specified, the specification limits are valid at all measurement speed modes.

(3) Full-scale reference

(4) Post-calibration performance and no I/O changes during conversion with SRN as the ground reference.

(5) Uncalibrated performance. This gain error can be eliminated with external calibration.

(6) The A/D input is a switched-capacitor input. Since the input is switched, the effective input resistance is a measure of the average resistance.

(7) Post-calibration performance

(8) Reference voltage for the coulomb counter is typically  $V_{\text{ref}}/3.969$  at  $V_{(\text{REG25})} = 2.5\text{ V}$ ,  $T_A = 25^\circ\text{C}$ .

(9) Uncalibrated performance. This gain error can be eliminated with external calibration.

## ELECTRICAL CHARACTERISTICS (continued)

Over operating free-air temperature range (unless otherwise noted),  $T_A = -40^{\circ}\text{C}$  to  $85^{\circ}\text{C}$ ,  $V_{(\text{REG25})} = 2.41\text{ V}$  to  $2.59\text{ V}$ ,  $V_{(\text{BAT})} = 14\text{ V}$ ,  $C_{(\text{REG25})} = 1\text{ }\mu\text{F}$ ,  $C_{(\text{REG33})} = 2.2\text{ }\mu\text{F}$ ; typical values at  $T_A = 25^{\circ}\text{C}$  (unless otherwise noted)

PARAMETER	TEST CONDITIONS	MIN	TYP	MAX	UNIT
Effective input resistance <sup>(10)</sup>	$T_A = 25^{\circ}\text{C}$ to $85^{\circ}\text{C}$	2.5			$\text{M}\Omega$
<b>INTERNAL TEMPERATURE SENSOR</b>					
$V_{(\text{TEMP})}$ Temperature sensor voltage <sup>(11)</sup>			-2.0		$\text{mV}/^{\circ}\text{C}$
<b>VOLTAGE REFERENCE</b>					
Output voltage		1.215	1.225	1.230	V
Output voltage drift			65		$\text{PPM}/^{\circ}\text{C}$
<b>HIGH FREQUENCY OSCILLATOR</b>					
$f_{(\text{OSC})}$ Operating frequency			4.194		MHz
$f_{(\text{EIO})}$ Frequency error <sup>(12) (13)</sup>		-3%	0.25%	3%	
	$T_A = 20^{\circ}\text{C}$ to $70^{\circ}\text{C}$	-2%	0.25%	2%	
$t_{(\text{SXO})}$ Start-up time <sup>(14)</sup>			2.5	5	ms
<b>LOW FREQUENCY OSCILLATOR</b>					
$f_{(\text{LOSC})}$ Operating frequency			32.768		kHz
$f_{(\text{LEIO})}$ Frequency error <sup>(13) (15)</sup>		-2.5%	0.25%	2.5%	
	$T_A = 20^{\circ}\text{C}$ to $70^{\circ}\text{C}$	-1.5%	0.25%	1.5%	
$t_{(\text{LSXO})}$ Start-up time <sup>(14)</sup>				500	$\mu\text{s}$

(10) The CC input is a switched capacitor input. Since the input is switched, the effective input resistance is a measure of the average resistance.

(11)  $-53.7\text{ LSB}/^{\circ}\text{C}$

(12) The frequency error is measured from 4.194 MHz.

(13) The frequency drift is included and measured from the trimmed frequency at  $V_{(\text{REG25})} = 2.5\text{ V}$ ,  $T_A = 25^{\circ}\text{C}$ .

(14) The startup time is defined as the time it takes for the oscillator output frequency to be  $\pm 3\%$ .

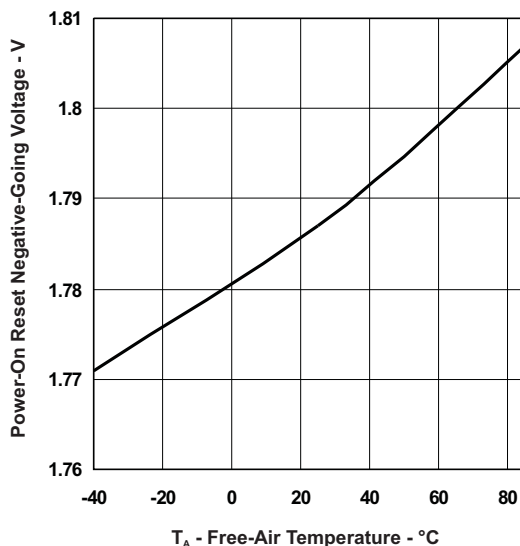
(15) The frequency error is measured from 32.768 kHz.

## POWER-ON RESET

Over operating free-air temperature range (unless otherwise noted),  $T_A = -40^{\circ}\text{C}$  to  $85^{\circ}\text{C}$ ,  $V_{(\text{REG25})} = 2.41\text{ V}$  to  $2.59\text{ V}$ ,  $V_{(\text{BAT})} = 14\text{ V}$ ,  $C_{(\text{REG25})} = 1\text{ }\mu\text{F}$ ,  $C_{(\text{REG33})} = 2.2\text{ }\mu\text{F}$ ; typical values at  $T_A = 25^{\circ}\text{C}$  (unless otherwise noted)

PARAMETER	TEST CONDITIONS	MIN	TYP	MAX	UNIT
VIT-	Negative-going voltage input	1.7	1.8	1.9	V
VHYS	Power-on reset hysteresis	5	125	200	mV
$t_{\text{RST}}$	$\overline{\text{RESET}}$ active low time active low time after power up or watchdog reset	100	250	560	$\mu\text{s}$

POWER ON RESET BEHAVIOR  
VS  
FREE-AIR TEMPERATURE



## DATA FLASH CHARACTERISTICS OVER RECOMMENDED OPERATING TEMPERATURE AND SUPPLY VOLTAGE

Typical values at  $T_A = 25^{\circ}\text{C}$  and  $V_{(\text{REG25})} = 2.5\text{ V}$  (unless otherwise noted)

PARAMETER	TEST CONDITIONS	MIN	TYP	MAX	UNIT
Data retention	See <sup>(1)</sup>	10			Years
Flash programming write-cycles		20k			Cycles
$t_{(\text{ROWPROG})}$ Row programming time				2	ms
$t_{(\text{MASSERASE})}$ Mass-erase time				200	ms
$t_{(\text{PAGEERASE})}$ Page-erase time				20	ms
$I_{(\text{DDPROG})}$ Flash-write supply current			5	10	mA
$I_{(\text{DDERASE})}$ Flash-erase supply current			5	10	mA
<b>RAM/REGISTER BACKUP</b>					
$I_{(\text{RB})}$ RB data-retention input current	$V_{(\text{RB})} > V_{(\text{RB})\text{MIN}}$ , $V_{\text{REG25}} < V_{\text{IT-}}$ , $T_A = 85^{\circ}\text{C}$		1000	2500	nA
	$V_{(\text{RB})} > V_{(\text{RB})\text{MIN}}$ , $V_{\text{REG25}} < V_{\text{IT-}}$ , $T_A = 25^{\circ}\text{C}$		90	220	
$V_{(\text{RB})}$ RB data-retention input voltage <sup>(1)</sup>		1.7			V

(1) Specified by design. Not production tested.

## SMBus TIMING CHARACTERISTICS

$T_A = -40^{\circ}\text{C}$  to  $85^{\circ}\text{C}$  Typical Values at  $T_A = 25^{\circ}\text{C}$  and  $V_{\text{REG25}} = 2.5\text{ V}$  (Unless Otherwise Noted)

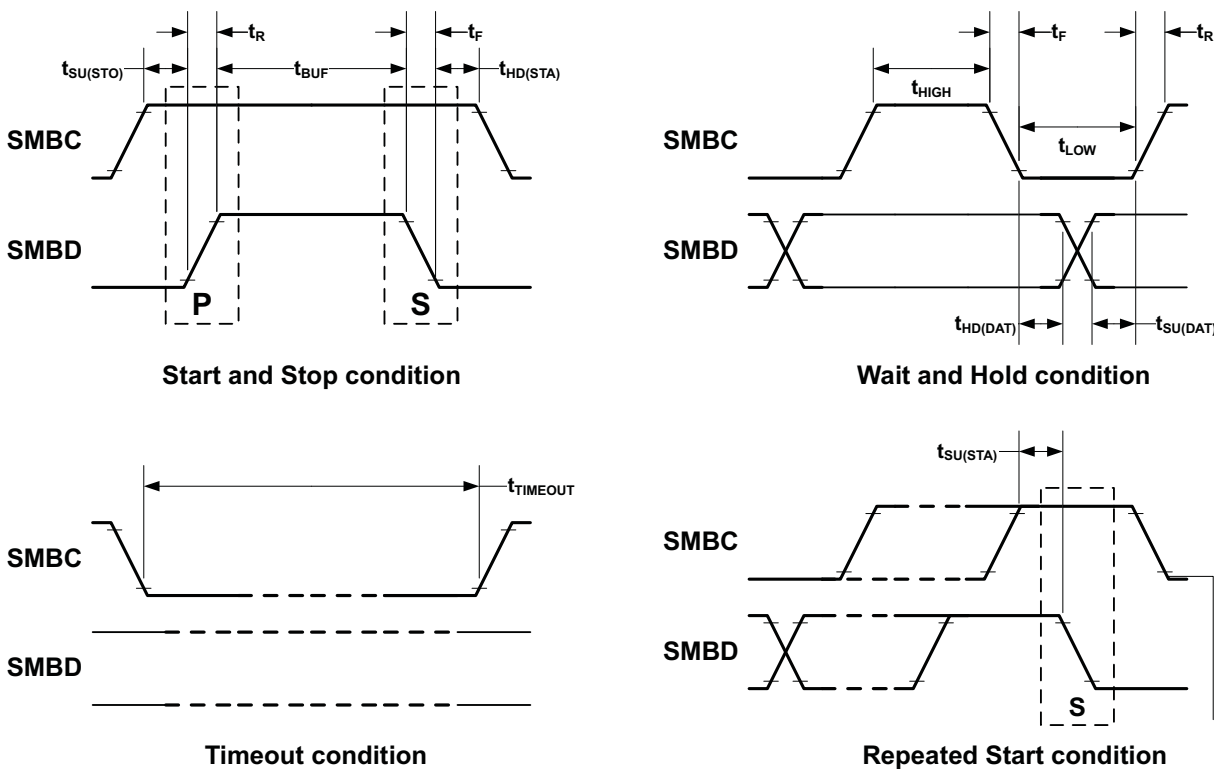
PARAMETER	TEST CONDITIONS	MIN	TYP	MAX	UNIT
$f_{(\text{SMB})}$	SMBus operating frequency Slave mode, SMBC 50% duty cycle	10		100	kHz

## SMBus TIMING CHARACTERISTICS (continued)

$T_A = -40^\circ\text{C}$  to  $85^\circ\text{C}$  Typical Values at  $T_A = 25^\circ\text{C}$  and  $V_{\text{REG25}} = 2.5\text{ V}$  (Unless Otherwise Noted)

PARAMETER		TEST CONDITIONS	MIN	TYP	MAX	UNIT
$f_{(\text{MAS})}$	SMBus master clock frequency	Master mode, No clock low slave extend		51.2		kHz
$t_{(\text{BUF})}$	Bus free time between start and stop (see Figure 1)		4.7			$\mu\text{s}$
$t_{(\text{HD:STA})}$	Hold time after (repeated) start (see Figure 1)		4			$\mu\text{s}$
$t_{(\text{SU:STA})}$	Repeated start setup time (see Figure 1)		4.7			$\mu\text{s}$
$t_{(\text{SU:STO})}$	Stop setup time (see Figure 1)		4			$\mu\text{s}$
$t_{(\text{HD:DAT})}$	Data hold time (see Figure 1)	Receive mode	0			ns
		Transmit mode	300			
$t_{(\text{SU:DAT})}$	Data setup time (see Figure 1)		250			ns
$t_{(\text{TIMEOUT})}$	Error signal/detect (see Figure 1)	See <sup>(1)</sup>	25		35	$\mu\text{s}$
$t_{(\text{LOW})}$	Clock low period (see Figure 1)		4.7			$\mu\text{s}$
$t_{(\text{HIGH})}$	Clock high period (see Figure 1)	See <sup>(2)</sup>	4		50	$\mu\text{s}$
$t_{(\text{LOW:SEXT})}$	Cumulative clock low slave extend time	See <sup>(3)</sup>			25	ms
$t_{(\text{LOW:MEXT})}$	Cumulative clock low master extend time (see Figure 1)	See <sup>(4)</sup>			10	ms
$t_f$	Clock/data fall time	See <sup>(5)</sup>			300	ns
$t_r$	Clock/data rise time	See <sup>(6)</sup>			1000	ns

- (1) The bq20z65-R1 times out when any clock low exceeds  $t_{(\text{TIMEOUT})}$ .
- (2)  $t_{(\text{HIGH})}$ , Max, is the minimum bus idle time.  $\text{SMBC} = \text{SMBD} = 1$  for  $t > 50\text{ ms}$  causes reset of any transaction involving bq20z65-R1 that is in progress. This specification is valid when the  $\text{NC\_SMB}$  control bit remains in the default cleared state ( $\text{CLK}[0]=0$ ).
- (3)  $t_{(\text{LOW:SEXT})}$  is the cumulative time a slave device is allowed to extend the clock cycles in one message from initial start to the stop.
- (4)  $t_{(\text{LOW:MEXT})}$  is the cumulative time a master device is allowed to extend the clock cycles in one message from initial start to the stop.
- (5) Rise time  $t_r = \text{VILMAX} - 0.15$  to  $(\text{VIHMIN} + 0.15)$
- (6) Fall time  $t_f = 0.9V_{\text{DD}}$  to  $(\text{VILMAX} - 0.15)$



A. SCLKACK is the acknowledge-related clock pulse generated by the master.

Figure 1. SMBus Timing Diagram

## FEATURE SET

### Primary (1st Level) Safety Features

The bq20z65-R1 supports a wide range of battery and system protection features that can easily be configured. The primary safety features include:

- Cell over/undervoltage protection
- Charge and discharge overcurrent
- Short Circuit protection
- Charge and discharge overtemperature with independent alarms and thresholds for each thermistor
- AFE Watchdog

### Secondary (2nd Level) Safety Features

The secondary safety features of the bq20z65-R1 can be used to indicate more serious faults via the SAFE pin. This pin can be used to blow an in-line fuse to permanently disable the battery pack from charging or discharging. The secondary safety protection features include:

- Safety overvoltage
- Safety undervoltage
- 2nd level protection IC input
- Safety overcurrent in charge and discharge
- Safety over-temperature in charge and discharge with independent alarms and thresholds for each thermistor
- Charge FET and zero-volt charge FET fault
- Discharge FET fault
- Cell imbalance detection (active and at rest)
- Open thermistor detection
- Fuse blow detection
- AFE communication fault

### Charge Control Features

The bq20z65-R1 charge control features include:

- Supports JEITA temperature ranges. Reports charging voltage and charging current according to the active temperature range.
- Handles more complex charging profiles. Allows for splitting the standard temperature range into 2 sub-ranges and allows for varying the charging current according to the cell voltage.
- Reports the appropriate charging current needed for constant current charging and the appropriate charging voltage needed for constant voltage charging to a smart charger using SMBus broadcasts.
- Determines the chemical state of charge of each battery cell using Impedance Track™ and can reduce the charge difference of the battery cells in fully charged state of the battery pack gradually using cell balancing algorithm during charging. This prevents fully charged cells from overcharging and causing excessive degradation and also increases the usable pack energy by preventing premature charge termination
- Supports pre-charging/zero-volt charging
- Supports charge inhibit and charge suspend if battery pack temperature is out of temperature range
- Reports charging fault and also indicate charge status via charge and discharge alarms.

### Gas Gauging

The bq20z65-R1 uses the Impedance Track™ Technology to measure and calculate the available charge in battery cells. The achievable accuracy is better than 1% error over the lifetime of the battery and there is no full charge discharge learning cycle required.

See *Theory and Implementation of Impedance Track Battery Fuel-Gauging Algorithm* application note (SLUA364) for further details.

## Lifetime Data Logging Features

The bq20z65-R1 offers lifetime data logging, where important measurements are stored for warranty and analysis purposes. The data monitored include:

- Lifetime maximum temperature
- Lifetime maximum temperature count
- Lifetime maximum temperature duration
- Lifetime minimum temperature
- Lifetime maximum battery cell voltage
- Lifetime maximum battery cell voltage count
- Lifetime maximum battery cell voltage duration
- Lifetime minimum battery cell voltage
- Lifetime maximum battery pack voltage
- Lifetime minimum battery pack voltage
- Lifetime maximum charge current
- Lifetime maximum discharge current
- Lifetime maximum charge power
- Lifetime maximum discharge power
- Lifetime maximum average discharge current
- Lifetime maximum average discharge power
- Lifetime average temperature

## Authentication

The bq20z65-R1 supports authentication by the host using SHA-1.

## Power Modes

The bq20z65-R1 supports 3 different power modes to reduce power consumption:

- In Normal Mode, the bq20z65-R1 performs measurements, calculations, protection decisions and data updates in 1 second intervals. Between these intervals, the bq20z65-R1 is in a reduced power stage.
- In Sleep Mode, the bq20z65-R1 performs measurements, calculations, protection decisions and data update in adjustable time intervals. Between these intervals, the bq20z65-R1 is in a reduced power stage. The bq20z65-R1 has a wake function that enables exit from Sleep mode, when current flow or failure is detected.
- In Shutdown Mode the bq20z65-R1 is completely disabled.

## CONFIGURATION

### Oscillator Function

The bq20z65-R1 fully integrates the system oscillators therefore, no external components are required for this feature.

### System Present Operation

The bq20z65-R1 periodically verifies the  $\overline{\text{PRES}}$  pin and detects that the battery is present in the system via a low state on a  $\overline{\text{PRES}}$  input. When this occurs, the bq20z65-R1 enters normal operating mode. When the pack is removed from the system and the  $\overline{\text{PRES}}$  input is high, the bq20z65-R1 enters the battery-removed state, disabling the charge, discharge, and ZVCHG FETs. The  $\overline{\text{PRES}}$  input is ignored and can be left floating when non-removal mode is set in the data flash.

## BATTERY PARAMETER MEASUREMENTS

The bq20z65-R1 uses an integrating delta-sigma analog-to-digital converter (ADC) for current measurement, and a second delta-sigma ADC for individual cell and battery voltage, and temperature measurement.

### Charge and Discharge Counting

The integrating delta-sigma ADC measures the charge/discharge flow of the battery by measuring the voltage drop across a small-value sense resistor between the SR1 and SR2 pins. The integrating ADC measures bipolar signals from -0.25 V to 0.25 V. The bq20z65-R1 detects charge activity when  $V_{\text{SR}} = V_{(\text{SRP})} - V_{(\text{SRN})}$  is positive and discharge activity when  $V_{\text{SR}} = V_{(\text{SRP})} - V_{(\text{SRN})}$  is negative. The bq20z65-R1 continuously integrates the signal over time, using an internal counter. The fundamental rate of the counter is 0.65nVh.

### Voltage

The bq20z65-R1 updates the individual series cell voltages at one second intervals. The internal ADC of the bq20z65-R1 measures the voltage, scales and calibrates it appropriately. This data is also used to calculate the impedance of the cell for the Impedance Track™ gas-gauging.

### Current

The bq20z65-R1 uses the SRP and SRN inputs to measure and calculate the battery charge and discharge current using a 5mΩ to 20mΩ typ. sense resistor.

### Wake Function

The bq20z65-R1 can exit sleep mode, if enabled, by the presence of a programmable level of current signal across SRP and SRN.

### Auto Calibration

The bq20z65-R1 provides an auto-calibration feature to cancel the voltage offset error across SRN and SRP for maximum charge measurement accuracy. The bq20z65-R1 performs auto-calibration when the SMBus lines stay low continuously for a minimum of a programmable amount of time.

### Temperature

The bq20z65-R1 has an internal temperature sensor and 2 external temperature sensor inputs, TS1 and TS2, used in conjunction with two identical NTC thermistors (default are Semitec 103AT) to sense the battery environmental temperature. The bq20z65-R1 can be configured to use the internal temperature sensor or up to 2 external temperature sensors.



## COMMUNICATIONS

The bq20z65-R1 uses SMBus v1.1 with Master Mode and package error checking (PEC) options per the SBS specification.

### SMBus On and Off State

The bq20z65-R1 detects an SMBus off state when SMBC and SMBD are logic-low for  $\geq 2$  seconds. Clearing this state requires either SMBC or SMBD to transition high. Within 1 ms, the communication bus is available.

## SBS Commands

**Table 3. SBS COMMANDS**

SBS CMD	MODE	NAME	FORMAT	SIZE IN BYTES	MIN VALUE	MAX VALUE	DEFAULT VALUE	UNIT
0x00	R/W	ManufacturerAccess	Hex	2	0x0000	0xffff	—	—
0x01	R/W	RemainingCapacityAlarm	Integer	2	0	700 or 1000	300 or 432	mAh or 10mWh
0x02	R/W	RemainingTimeAlarm	Unsigned integer	2	0	30	10	min
0x03	R/W	BatteryMode	Hex	2	0x0000	0xffff	—	—
0x04	R/W	AtRate	Integer	2	-32,768	32,767	—	mA or 10mW
0x05	R	AtRateTimeToFull	Unsigned integer	2	0	65,535	—	min
0x06	R	AtRateTimeToEmpty	Unsigned integer	2	0	65,535	—	min
0x07	R	AtRateOK	Unsigned integer	2	0	65,535	—	—
0x08	R	Temperature	Unsigned integer	2	0	65,535	—	0.1°K
0x09	R	Voltage	Unsigned integer	2	0	20,000	—	mV
0x0a	R	Current	Integer	2	-32,768	32767	—	mA
0x0b	R	AverageCurrent	Integer	2	-32,768	32,767	—	mA
0x0c	R	MaxError	Unsigned integer	1	0	100	—	%
0x0d	R	RelativeStateOfCharge	Unsigned integer	1	0	100	—	%
0x0e	R	AbsoluteStateOfCharge	Unsigned integer	1	0	100+	—	%
0x0f	R/W	RemainingCapacity	Unsigned integer	2	0	65,535	—	mAh or 10mWh
0x10	R	FullChargeCapacity	Unsigned integer	2	0	65,535	—	mAh or 10mWh
0x11	R	RunTimeToEmpty	Unsigned integer	2	0	65,534	—	min
0x12	R	AverageTimeToEmpty	Unsigned integer	2	0	65,534	—	min
0x13	R	AverageTimeToFull	Unsigned integer	2	0	65,534	—	min
0x14	R	ChargingCurrent	Unsigned integer	2	0	65,534	—	mA
0x15	R	ChargingVoltage	Unsigned integer	2	0	65,534	—	mV
0x16	R	BatteryStatus	Hex	2	0x0000	0xdbff	—	—
0x17	R/W	CycleCount	Unsigned integer	2	0	65,535	0	—
0x18	R/W	DesignCapacity	Integer	2	0	32,767	4400 or 6336	mAh or 10mWh

**Table 3. SBS COMMANDS (continued)**

SBS CMD	MODE	NAME	FORMAT	SIZE IN BYTES	MIN VALUE	MAX VALUE	DEFAULT VALUE	UNIT
0x19	R/W	DesignVoltage	Integer	2	7000	18,000	14,400	mV
0x1a	R/W	SpecificationInfo	Hex	2	0x0000	0xffff	0x0031	—
0x1b	R/W	ManufactureDate	Unsigned integer	2	0	65,535	0	—
0x1c	R/W	SerialNumber	Hex	2	0x0000	0xffff	0x0000	—
0x20	R/W	ManufacturerName	String	20+1	—	—	Texas Instruments	—
0x21	R/W	DeviceName	String	20+1	—	—	bq20z65-R1	—
0x22	R/W	DeviceChemistry	String	4+1	—	—	LION	—
0x23	R	ManufacturerData	String	14+1	—	—	—	—
0x2f	R/W	Authenticate	String	20+1	—	—	—	—
0x3c	R	CellVoltage4	Unsigned integer	2	0	65,535	—	mV
0x3d	R	CellVoltage3	Unsigned integer	2	0	65,535	—	mV
0x3e	R	CellVoltage2	Unsigned integer	2	0	65,535	—	mV
0x3f	R	CellVoltage1	Unsigned integer	2	0	65,535	—	mV

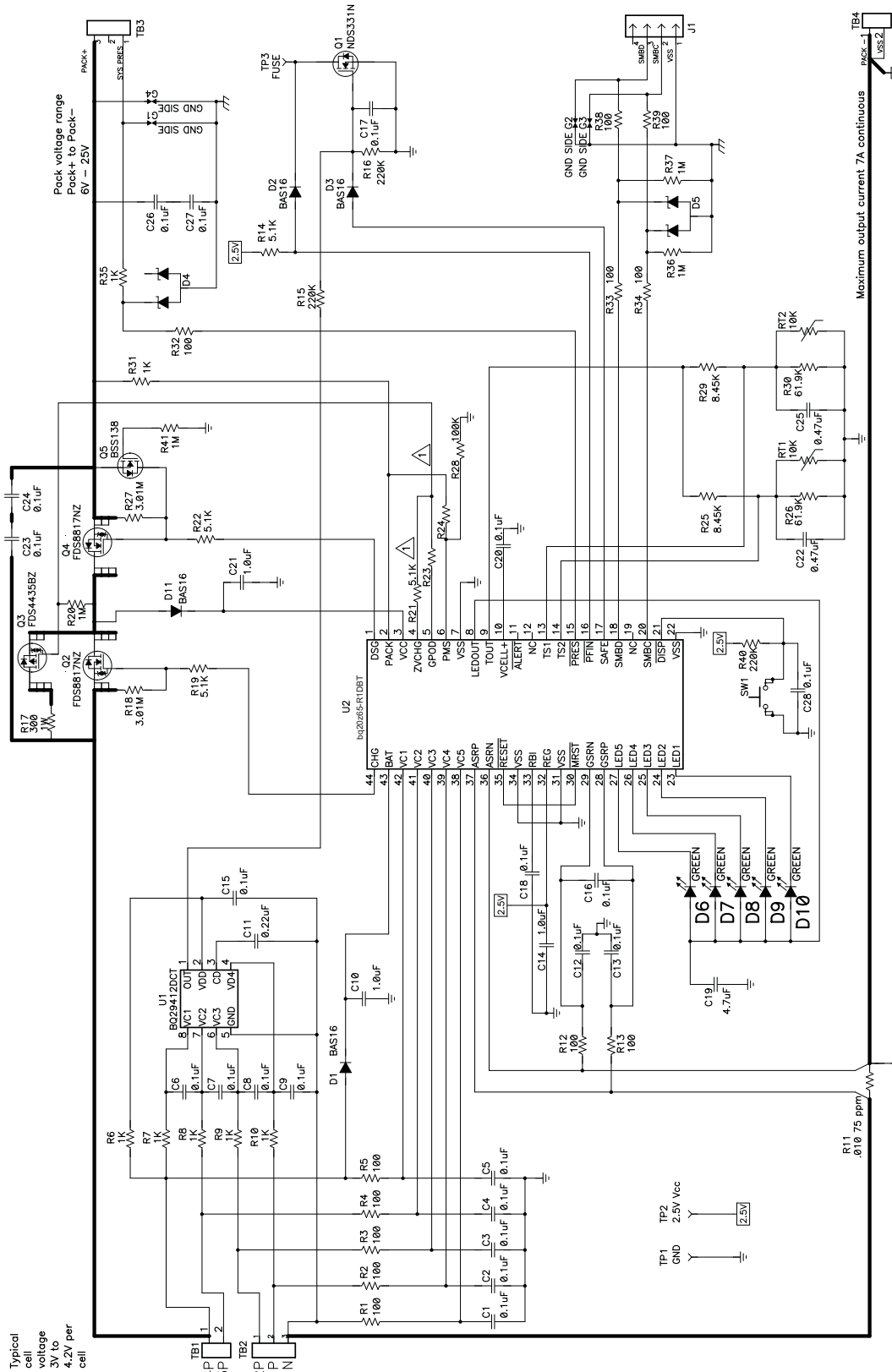
**Table 4. EXTENDED SBS COMMANDS**

SBS CMD	MODE	NAME	FORMAT	SIZE IN BYTES	MIN VALUE	MAX VALUE	DEFAULT VALUE	UNIT
0x45	R	AFEData	String	11+1	—	—	—	—
0x46	R/W	FETControl	Hex	2	0x00	0xff	—	—
0x4f	R	StateOfHealth	Hex	2	0x0000	0xffff	—	%
0x51	R	SafetyStatus	Hex	2	0x0000	0xffff	—	—
0x52	R	PFAAlert	Hex	2	0x0000	0xffff	—	—
0x53	R	PFStatus	Hex	2	0x0000	0xffff	—	—
0x54	R	OperationStatus	Hex	2	0x0000	0xffff	—	—
0x55	R	ChargingStatus	Hex	2	0x0000	0xffff	—	—
0x57	R	ResetData	Hex	2	0x0000	0xffff	—	—
0x58	R	WDRResetData	Unsigned integer	2	0	65,535	—	—
0x5a	R	PackVoltage	Unsigned integer	2	0	65,535	—	mV
0x5d	R	AverageVoltage	Unsigned integer	2	0	65,535	—	mV
0x5e	R	TS1Temperature	Integer	2	-400	1200	—	0.1°C
0x5f	R	TS2Temperature	Integer	2	-400	1200	—	0.1°C
0x60	R/W	UnSealKey	Hex	4	0x00000000	0xffffffff	—	—
0x61	R/W	FullAccessKey	Hex	4	0x00000000	0xffffffff	—	—
0x62	R/W	PFKey	Hex	4	0x00000000	0xffffffff	—	—
0x63	R/W	AuthenKey3	Hex	4	0x00000000	0xffffffff	—	—
0x64	R/W	AuthenKey2	Hex	4	0x00000000	0xffffffff	—	—
0x65	R/W	AuthenKey1	Hex	4	0x00000000	0xffffffff	—	—
0x66	R/W	AuthenKey0	Hex	4	0x00000000	0xffffffff	—	—
0x68	R	SafetyAlert2	Hex	2	0x0000	0x000f	—	—
0x69	R	SafetyStatus2	Hex	2	0x0000	0x000f	—	—

**Table 4. EXTENDED SBS COMMANDS (continued)**

SBS CMD	MODE	NAME	FORMAT	SIZE IN BYTES	MIN VALUE	MAX VALUE	DEFAULT VALUE	UNIT
0x6a	R	PFAAlert2	Hex	2	0x0000	0x000f	—	—
0x6b	R	PFStatus2	Hex	2	0x0000	0x000f	—	—
0x6c	R	ManufBlock1	String	20	—	—	—	—
0x6d	R	ManufBlock2	String	20	—	—	—	—
0x6e	R	ManufBlock3	String	20	—	—	—	—
0x6f	R	ManufBlock4	String	20	—	—	—	—
0x70	R/W	ManufacturerInfo	String	31+1	—	—	—	—
0x71	R/W	SenseResistor	Unsigned integer	2	0	65,535	—	μΩ
0x72	R	TempRange	Hex	2	—	—	—	—
0x73	R	LifetimeData1	String	32+1	—	—	—	—
0x74	R	LifetimeData2	String	8+1	—	—	—	—
0x77	R/W	DataFlashSubClassID	Hex	2	0x0000	0xffff	—	—
0x78	R/W	DataFlashSubClassPage1	Hex	32	—	—	—	—
0x79	R/W	DataFlashSubClassPage2	Hex	32	—	—	—	—
0x7a	R/W	DataFlashSubClassPage3	Hex	32	—	—	—	—
0x7b	R/W	DataFlashSubClassPage4	Hex	32	—	—	—	—
0x7c	R/W	DataFlashSubClassPage5	Hex	32	—	—	—	—
0x7d	R/W	DataFlashSubClassPage6	Hex	32	—	—	—	—
0x7e	R/W	DataFlashSubClassPage7	Hex	32	—	—	—	—
0x7f	R/W	DataFlashSubClassPage8	Hex	32	—	—	—	—

APPLICATION SCHEMATIC



Install these parts for various pre-charge options. See bq20z65 EVM user guide.  
Default configuration has R23 & R24 NOT installed.

**PACKAGING INFORMATION**

Orderable Device	Status <sup>(1)</sup>	Package Type	Package Drawing	Pins	Package Qty	Eco Plan <sup>(2)</sup>	Lead/Ball Finish	MSL Peak Temp <sup>(3)</sup>
BQ20Z65DBT-R1	ACTIVE	TSSOP	DBT	44	40	Green (RoHS & no Sb/Br)	CU NIPDAU	Level-2-260C-1 YEAR
BQ20Z65DBTR-R1	ACTIVE	TSSOP	DBT	44	2000	Green (RoHS & no Sb/Br)	CU NIPDAU	Level-2-260C-1 YEAR

<sup>(1)</sup> The marketing status values are defined as follows:

**ACTIVE:** Product device recommended for new designs.

**LIFEBUY:** TI has announced that the device will be discontinued, and a lifetime-buy period is in effect.

**NRND:** Not recommended for new designs. Device is in production to support existing customers, but TI does not recommend using this part in a new design.

**PREVIEW:** Device has been announced but is not in production. Samples may or may not be available.

**OBsolete:** TI has discontinued the production of the device.

<sup>(2)</sup> Eco Plan - The planned eco-friendly classification: Pb-Free (RoHS), Pb-Free (RoHS Exempt), or Green (RoHS & no Sb/Br) - please check <http://www.ti.com/productcontent> for the latest availability information and additional product content details.

**TBD:** The Pb-Free/Green conversion plan has not been defined.

**Pb-Free (RoHS):** TI's terms "Lead-Free" or "Pb-Free" mean semiconductor products that are compatible with the current RoHS requirements for all 6 substances, including the requirement that lead not exceed 0.1% by weight in homogeneous materials. Where designed to be soldered at high temperatures, TI Pb-Free products are suitable for use in specified lead-free processes.

**Pb-Free (RoHS Exempt):** This component has a RoHS exemption for either 1) lead-based flip-chip solder bumps used between the die and package, or 2) lead-based die adhesive used between the die and leadframe. The component is otherwise considered Pb-Free (RoHS compatible) as defined above.

**Green (RoHS & no Sb/Br):** TI defines "Green" to mean Pb-Free (RoHS compatible), and free of Bromine (Br) and Antimony (Sb) based flame retardants (Br or Sb do not exceed 0.1% by weight in homogeneous material)

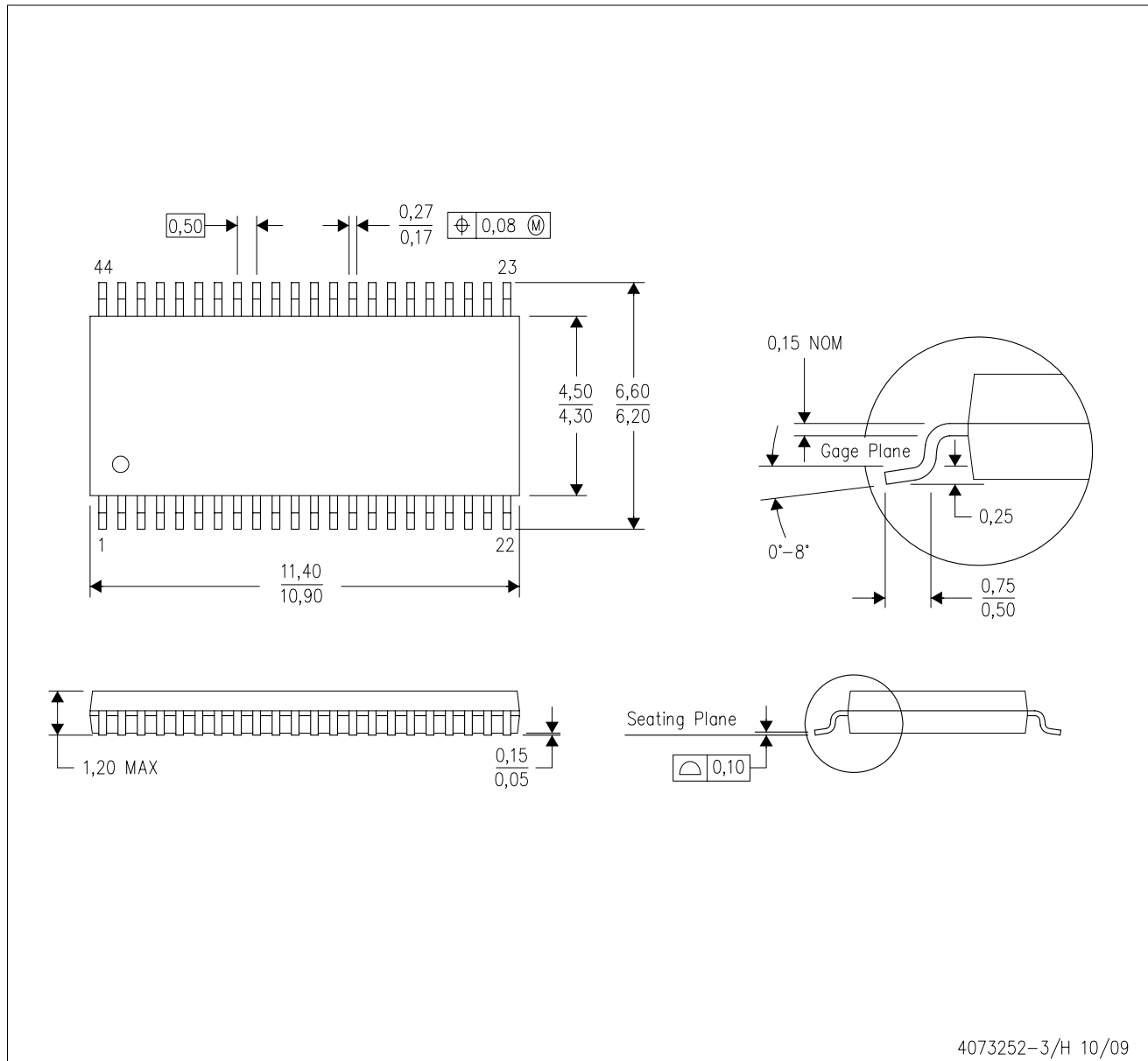
<sup>(3)</sup> MSL, Peak Temp. -- The Moisture Sensitivity Level rating according to the JEDEC industry standard classifications, and peak solder temperature.

**Important Information and Disclaimer:**The information provided on this page represents TI's knowledge and belief as of the date that it is provided. TI bases its knowledge and belief on information provided by third parties, and makes no representation or warranty as to the accuracy of such information. Efforts are underway to better integrate information from third parties. TI has taken and continues to take reasonable steps to provide representative and accurate information but may not have conducted destructive testing or chemical analysis on incoming materials and chemicals. TI and TI suppliers consider certain information to be proprietary, and thus CAS numbers and other limited information may not be available for release.

In no event shall TI's liability arising out of such information exceed the total purchase price of the TI part(s) at issue in this document sold by TI to Customer on an annual basis.

DBT (R-PDSO-G44)

PLASTIC SMALL-OUTLINE PACKAGE



- NOTES:
- A. All linear dimensions are in millimeters. Dimensioning and tolerancing per ASME Y14.5M-1994.
  - B. This drawing is subject to change without notice.
  - C. Body dimensions do not include mold flash or protrusion.

## IMPORTANT NOTICE

Texas Instruments Incorporated and its subsidiaries (TI) reserve the right to make corrections, modifications, enhancements, improvements, and other changes to its products and services at any time and to discontinue any product or service without notice. Customers should obtain the latest relevant information before placing orders and should verify that such information is current and complete. All products are sold subject to TI's terms and conditions of sale supplied at the time of order acknowledgment.

TI warrants performance of its hardware products to the specifications applicable at the time of sale in accordance with TI's standard warranty. Testing and other quality control techniques are used to the extent TI deems necessary to support this warranty. Except where mandated by government requirements, testing of all parameters of each product is not necessarily performed.

TI assumes no liability for applications assistance or customer product design. Customers are responsible for their products and applications using TI components. To minimize the risks associated with customer products and applications, customers should provide adequate design and operating safeguards.

TI does not warrant or represent that any license, either express or implied, is granted under any TI patent right, copyright, mask work right, or other TI intellectual property right relating to any combination, machine, or process in which TI products or services are used. Information published by TI regarding third-party products or services does not constitute a license from TI to use such products or services or a warranty or endorsement thereof. Use of such information may require a license from a third party under the patents or other intellectual property of the third party, or a license from TI under the patents or other intellectual property of TI.

Reproduction of TI information in TI data books or data sheets is permissible only if reproduction is without alteration and is accompanied by all associated warranties, conditions, limitations, and notices. Reproduction of this information with alteration is an unfair and deceptive business practice. TI is not responsible or liable for such altered documentation. Information of third parties may be subject to additional restrictions.

Resale of TI products or services with statements different from or beyond the parameters stated by TI for that product or service voids all express and any implied warranties for the associated TI product or service and is an unfair and deceptive business practice. TI is not responsible or liable for any such statements.

TI products are not authorized for use in safety-critical applications (such as life support) where a failure of the TI product would reasonably be expected to cause severe personal injury or death, unless officers of the parties have executed an agreement specifically governing such use. Buyers represent that they have all necessary expertise in the safety and regulatory ramifications of their applications, and acknowledge and agree that they are solely responsible for all legal, regulatory and safety-related requirements concerning their products and any use of TI products in such safety-critical applications, notwithstanding any applications-related information or support that may be provided by TI. Further, Buyers must fully indemnify TI and its representatives against any damages arising out of the use of TI products in such safety-critical applications.

TI products are neither designed nor intended for use in military/aerospace applications or environments unless the TI products are specifically designated by TI as military-grade or "enhanced plastic." Only products designated by TI as military-grade meet military specifications. Buyers acknowledge and agree that any such use of TI products which TI has not designated as military-grade is solely at the Buyer's risk, and that they are solely responsible for compliance with all legal and regulatory requirements in connection with such use.

TI products are neither designed nor intended for use in automotive applications or environments unless the specific TI products are designated by TI as compliant with ISO/TS 16949 requirements. Buyers acknowledge and agree that, if they use any non-designated products in automotive applications, TI will not be responsible for any failure to meet such requirements.

Following are URLs where you can obtain information on other Texas Instruments products and application solutions:

### Products

Amplifiers	<a href="http://amplifier.ti.com">amplifier.ti.com</a>
Data Converters	<a href="http://dataconverter.ti.com">dataconverter.ti.com</a>
DLP® Products	<a href="http://www.dlp.com">www.dlp.com</a>
DSP	<a href="http://dsp.ti.com">dsp.ti.com</a>
Clocks and Timers	<a href="http://www.ti.com/clocks">www.ti.com/clocks</a>
Interface	<a href="http://interface.ti.com">interface.ti.com</a>
Logic	<a href="http://logic.ti.com">logic.ti.com</a>
Power Mgmt	<a href="http://power.ti.com">power.ti.com</a>
Microcontrollers	<a href="http://microcontroller.ti.com">microcontroller.ti.com</a>
RFID	<a href="http://www.ti-rfid.com">www.ti-rfid.com</a>
RF/IF and ZigBee® Solutions	<a href="http://www.ti.com/lprf">www.ti.com/lprf</a>

### Applications

Audio	<a href="http://www.ti.com/audio">www.ti.com/audio</a>
Automotive	<a href="http://www.ti.com/automotive">www.ti.com/automotive</a>
Broadband	<a href="http://www.ti.com/broadband">www.ti.com/broadband</a>
Digital Control	<a href="http://www.ti.com/digitalcontrol">www.ti.com/digitalcontrol</a>
Medical	<a href="http://www.ti.com/medical">www.ti.com/medical</a>
Military	<a href="http://www.ti.com/military">www.ti.com/military</a>
Optical Networking	<a href="http://www.ti.com/opticalnetwork">www.ti.com/opticalnetwork</a>
Security	<a href="http://www.ti.com/security">www.ti.com/security</a>
Telephony	<a href="http://www.ti.com/telephony">www.ti.com/telephony</a>
Video & Imaging	<a href="http://www.ti.com/video">www.ti.com/video</a>
Wireless	<a href="http://www.ti.com/wireless">www.ti.com/wireless</a>