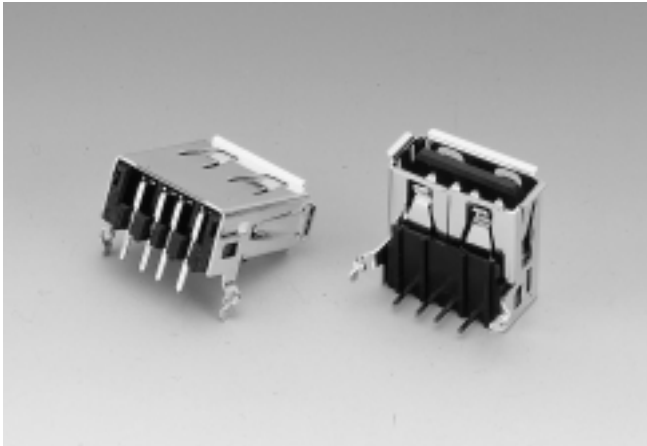


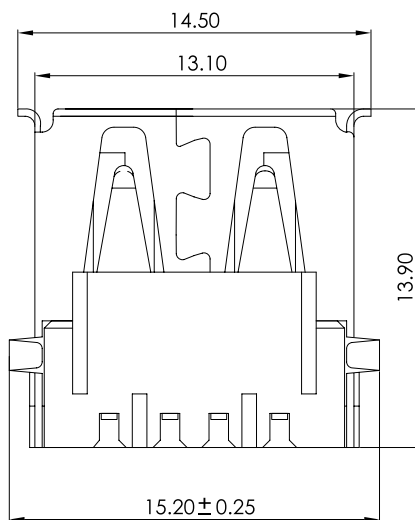
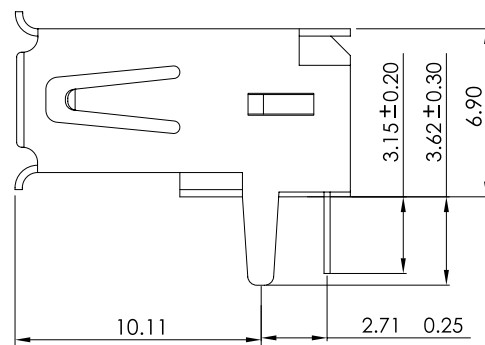
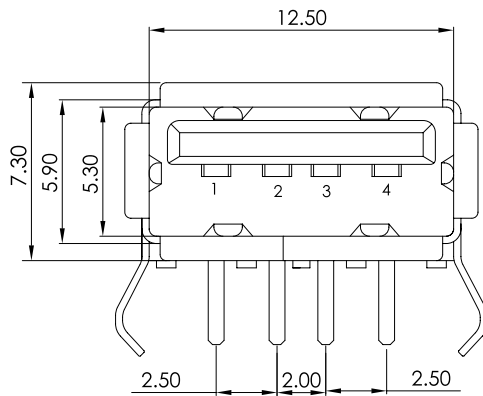
[查询"020121MR"供应商](#)



## 020121MR Series

### Specifications:

- **Insulator Material** : NY-6T UL94V-0
- **Max Processing Temp**: -40°C To +105°C
- **Terminal Material** : Phos. Bronze
- **Plating** : Gold/Tin Over Nickel
- **Max. Current Rating** : 1.0A
- **Voltage Rating** : 150V AC
- **Dielectric Strength** : 500V AC For 60 Seconds



I/O

## Order Information

020121MR004□□03ZU  
1 2 3 4 5

1. 'R' : Right Angle Dip Type
  2. No. of Pins
  3. Plating
  4. Color 'Z' : Black
  5. Package  
'U' : Tube Package Without Cap
- Reference Page 11

## Recommended P.C.B Layout (Component Side)

