

Macronix NBit™ Memory Family

64M-BIT [x 1] CMOS SERIAL eLite Flash™ MEMORY

FEATURES

GENERAL

- 67,108,864 x 1 bit structure
- 128 Equal Sectors with 64K byte each
 - Any sector can be erased
- Single Power Supply Operation
 - 3.0 to 3.6 volt for read, erase, and program operations
- Latch-up protected to 100mA from -1V to Vcc +1V
- Low Vcc write inhibit is equal to or less than 2.2V

PERFORMANCE

- High Performance
 - Fast access time: 25MHz serial clock (50pF + 1TTL Load)
 - Fast program time: 4ms/page (typical, 128-byte per page)
 - Fast erase time: 3s/sector (typical, 64K-byte per sector)
 - Acceleration mode:
 - Program time: 3.2ms/page (typical)
 - Erase time: 2.4s/sector (typical)
- Low Power Consumption
 - Low active read current: 24mA (typical) at 25MHz
 - Low active programming current: 35mA (typical)
 - Low active erase current: 35mA (typical)
 - Low standby current: 5uA (typical, CMOS)
- Minimum 100 erase/program cycle

SOFTWARE FEATURES

- Input Data Format
 - 1-byte Command code, 3-byte address, 1-byte byte address
- Auto Erase and Auto Program Algorithm
 - Automatically erases and verifies data at selected sector
 - Automatically programs and verifies data at selected page by an internal algorithm that automatically times the program pulse widths (Any page to be programmed should have page in the erased state first)
- Status Register Feature
 - Provides detection of program and erase operation completion.
 - Provides auto erase/ program error report

HARDWARE FEATURES

- SCLK Input
 - Serial clock input
- SI Input
 - Serial Data Input
- SO Output
 - Serial Data Output
- ACC Pin
 - Program/erase acceleration
- PACKAGE
 - 32-pin SOP (450mil)

GENERAL DESCRIPTION

The MX25L6402 is a CMOS 67,108,864 bit serial MTP EEPROM, which is configured as 8,388,608 x 8 internally. The MX25L6402 features a serial peripheral interface and software protocol allowing operation on a simple 3-wire bus. The three bus signals are a clock input (SCLK), a serial data input (SI), and a serial data output (SO). SPI access to the device is enabled by \overline{CS} input.

The MX25L6402 provide sequential read operation on whole chip. User may start to read from any byte of the array. While the end of the array is reached, the device will wrap around to the beginning of the array and continuously outputs data until \overline{CS} goes high.

After program/erase command is issued, auto program/erase algorithms which program/erase and verify the

specified page locations will be executed. Program command is executed on a page (128 bytes) basis, and erase command is executed on both chip and sector (64K bytes) basis.

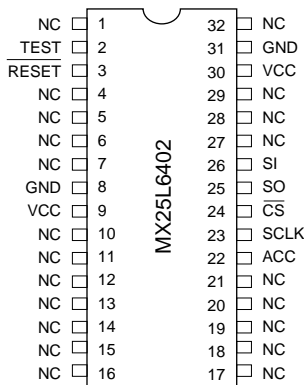
To provide user with ease of interface, a status register is included to indicate the status of the chip. The status read command can be issued to detect completion and error flag status of a program or erase operation.

When the device is not in operation and \overline{CS} is high, it is put in standby mode and draws less than 5uA DC current.

The MX25L6402 utilizes MXIC's proprietary memory cell which reliably stores memory contents even after 100 program and erase cycles.

PIN CONFIGURATIONS

32-PIN SOP (450 mil)



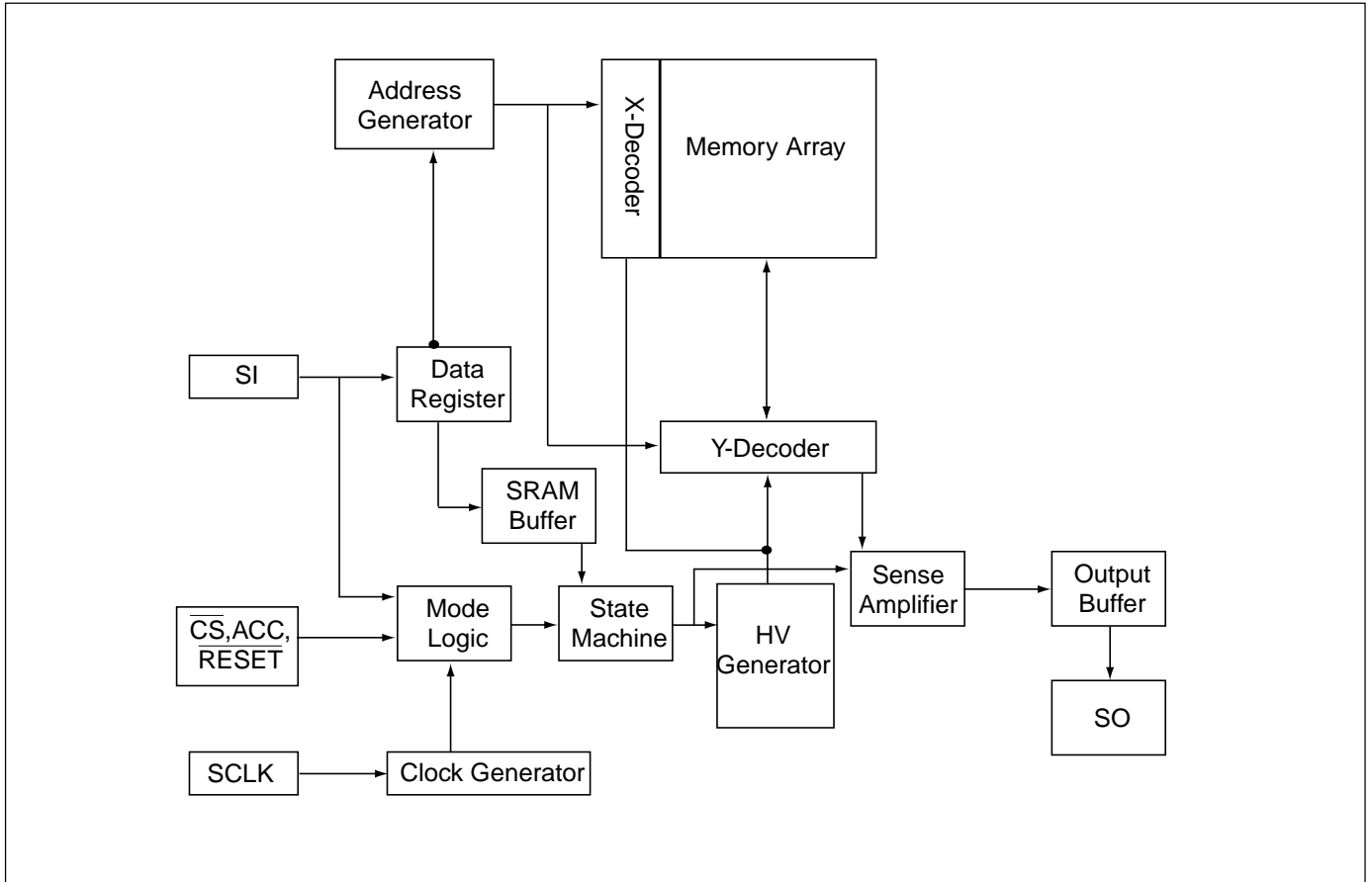
PIN DESCRIPTION

SYMBOL	DESCRIPTION
\overline{CS}	Chip Select
TEST(1)	Test Mode Select
\overline{RESET}	Reset
SI	Serial Data Input
SO	Serial Data Output
SCLK	Clock Input
ACC	12V for program/erase acceleration
VCC	+ 3.3V Power Supply
GND	Ground
NC	No Internal Connection

Note:

1. TEST input is used for in-house testing and must be tied to ground during normal user operation.

BLOCK DIAGRAM



COMMAND DEFINITION

Com- mand (byte)	Read Array	Status Read	Clear Status	Read ID	Sector Erase	Chip Erase	Page Program
1st	52H	83H	89H	85H	F1H	F4H	F2H
2nd	AD1	X		X	AD1	X	AD1
3rd	AD2				AD2	X	AD2
4th	AD3						AD3
5th	BA						BA
6th	X						
7th	X						
8th	X						
9th	X						
Action	n bytes read out until \overline{CS} goes high	Output status byte until \overline{CS} goes high	Clear status byte	Output vendor code until \overline{CS} goes high	Start to erase at \overline{CS} rising edge	Start to erase at \overline{CS} rising edge	Load n bytes data to buffer until \overline{CS} goes high & start to program

Note:

- 1.X is dummy cycle and is necessary
- 2.AD1 to AD3 are address input data
- 3.BA is byte address

1-byte command code

	Bit7(MSB)	Bit6	Bit5	Bit4	Bit3	Bit2	Bit1	Bit0
3-byte address(0 to 0FFFH)								
AD1:	X	X	A22	A21	A20	A19	A18	A17
AD2:	A16	A15	A14	A13	A12	A11	A10	A9
AD3:	X	X	X	X	X	X	A8	A7
1-byte byte address(0 to 7FH)								
BA:	X	A6	A5	A4	A3	A2	A1	A0

Note:

A22 to A16=Sector address

DEVICE OPERATION

1. Before a command is issued, status register should be checked to ensure device is ready for the intended operation.
2. When incorrect command is inputted to this LSI, this LSI becomes standby mode and keeps the standby mode until next CS falling edge. In standby mode, SO pin of this LSI should be High-Z.
3. When correct command is inputted to this LSI, this LSI becomes active mode and keeps the active mode until next CS rising edge.

COMMAND DESCRIPTION

(1) Read Array

This command is sent with the 4-byte address (command included), and the byte address, followed by four dummy bytes sent to give the device time to stabilize. The device will then send out data starting at the byte address until CS goes high. The clock to clock out the data is supplied by the master SPI. The read operation is executed on whole array. If the end of the array is reached then the device will wrap around to the beginning of the array.

(2) Read Status Register

When this command is sent, the device will continuously send out the status register contents starting at bit7. The clock to clock out the data is supplied by the master SPI.

bit7	bit6	bit5	bit4	bit3	bit2	bit1	bit0
program/erase completion	NA	NA	erase error	program error	NA	NA	ready/busy
Note1			1=error	1=error			1=ready 0=busy

Bit 6,5,2,1 = Reserve for future use.

Bit 4 = "1" ----> There is an error occurred in last erase operation.

= "0" ----> There is no error occurred in last erase operation.

Bit 3 = "1" ----> There is an error occurred in last program operation.

= "0" ----> There is no error occurred in last program operation.

Bit 0 = "1" ----> Device is in ready mode.

= "0" ----> Device is in busy mode.

Note 1: The initial value of Bit7 is "1". Bit7 will have "1" to "0" transit only after program/erase operation is completed. Bit7 will shift from "0" to "1" only after issued program/erase/Clear status register command. Please note the Bit7=0 if program/erase fail.

Note 2: The value of Bit 0 is "1", no matter the result of program/erase is pass or fail.

(3) Clear Status Register

This command only resets erase error bit (bit 4) and program error bit (bit 3). These two bits are set by on-chip state machine during program/erase operation, and can only be reset by issuing a clear status register command or by powering down VCC.

If status register indicates that error occurred in the last program/erase operation, any further program/erase operation will be prohibited until status register is cleared.

(4) Read ID

This command is sent with an extra dummy byte (2-byte command). The device will clock out manufacturer code (C2H) and device code (9CH) when this command is issued. The clock to clock out the data is supplied by the master SPI.

(5) Sector/Chip Erase

This command is sent with the sector address(A22~A16) when operating Sector Erase. The device will start the erase sequence after \overline{CS} goes high without any further input. A sector should be erased in a typical of 3 sec. The average current is less than 35mA. The chip erase operation does not require the sector address input but two extra dummy bytes are necessary. During this operation, customer can also access Read Status & Read ID operations.

(6) Page Program

This command is sent with the page number(A22~A7), and 128-byte page address(A6~A0), followed by programming data. The 128-byte page address (A6-A0) must start from 0. One to 128 bytes of data can be loaded into the buffer of the device until \overline{CS} goes high. User needs to issue a complete last byte data, otherwise the last byte data will be ignored. If the end of the page is reached, then the device will wrap around to the beginning of the page. The device will program the specified page with buffered data(Until \overline{CS} goes high) without any further input. The typical page program time is 4mS. The average current is less than 35mA.

During this operation, customer can also access Read Status & Read ID operations.

(7) Standby Mode

When \overline{CS} is high and there is no operation in progress, the device is put in standby mode. Typical standby current is less than 5uA.

(8) ACC FAST PROGRAM/ERASE FUNCTIONS

When ACC pin is not connected to a 12V power supply, all program and erase current is drawn through the VCC pin. When ACC pin is connected to a 12V power supply, the device draws program and erase current directly from the ACC pin. This eliminates the need for an external switching transistor control the voltage V_{HH}.

The 12V ACC mode enhances programming performance during the short period of time typically found in manufacturing processes; however, it is not intended for extended use. ACC pin may be connected to 12V for a total of 80 hours maximum. Stressing the device beyond these limits may cause permanent damage.

POWER-ON STATE

After power-up, the device is placed in the standby state with following status:

The status register is reset with following status :

Bit 7 = "1" -----> Refer to page 5 for detail.

Bit 6,5,2,1 = Reserve for future use.

Bit 4 = "0" -----> Erase error flag is reset.

Bit 3 = "0" -----> Program error flag is reset.

Bit 0="1" -----> Device is in ready state.

RESET OPERATION

The $\overline{\text{RESET}}$ pin provides a hardware method of resetting the device to reading array data. When the $\overline{\text{RESET}}$ pin is driven low for at least a period of t_{RP} , the device immediately terminates any operation in progress, tri-states all output pins, and ignores all commands for the duration of the $\overline{\text{RESET}}$ pulse. The device also resets the internal state machine to reading array data. The operation that was interrupted should be reinitiated once the device is ready to accept another command sequence, to ensure data integrity. Current is reduced for the duration of the $\overline{\text{RESET}}$ pulse. When $\overline{\text{RESET}}$ is held at $V_{\text{SS}} \pm 0.3\text{V}$, the device draws reset current (ICC4). If $\overline{\text{RESET}}$ is held at V_{IL} but not within $V_{\text{SS}} \pm 0.3\text{V}$, the reset current will be greater. The $\overline{\text{RESET}}$ pin may be tied to system reset circuitry. A system reset would that also reset the SPI memory. Refer to the AC Characteristics tables for $\overline{\text{RESET}}$ parameters.

DATA SEQUENCE

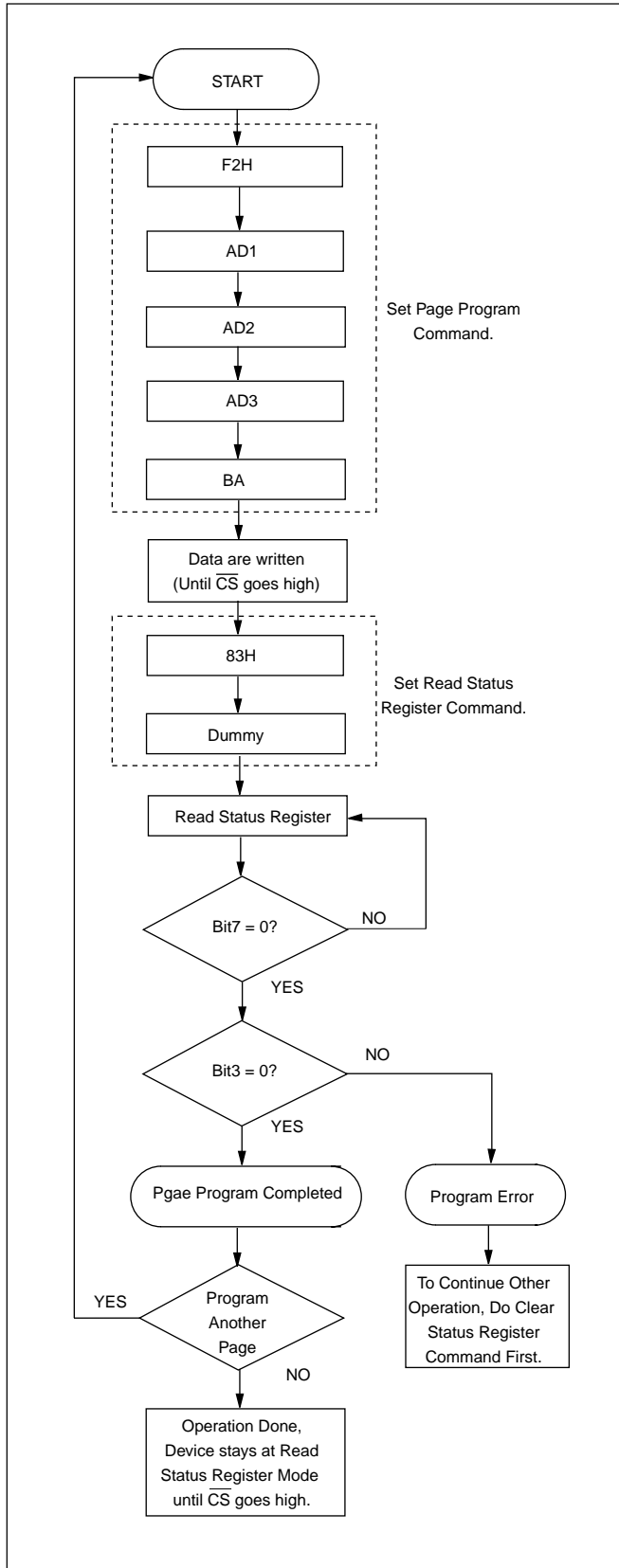
Output data is serially sent out through SO pin, synchronized with the rising edge of SCLK, whereas input data is serially read in through SI pin, synchronized with the rising edge of SCLK. The bit sequence for both input and output data is bit 7 (MSB) first, then bit 6, bit 5, ..., and bit 0.(LSB)

ADDRESS SEQUENCE

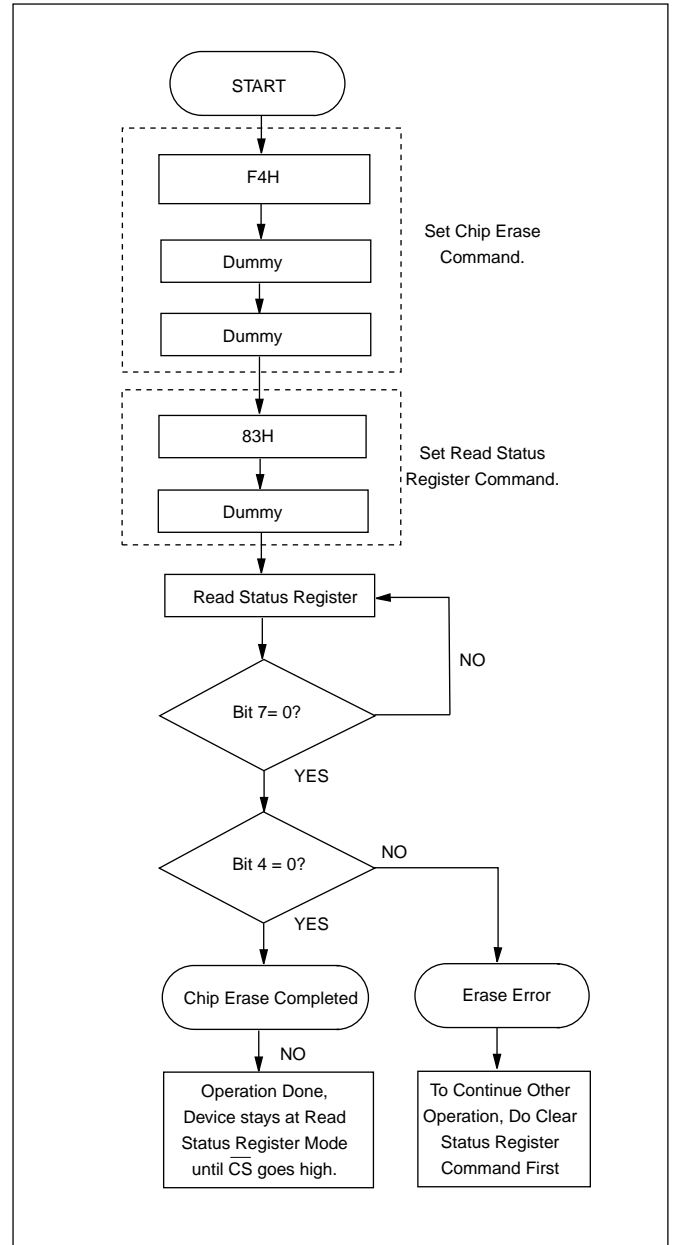
The address assignment is described as follows :

BA: Byte address Bit sequence:	X	A6	A5	A4	A3	A2	A1	A0
AD1:First Address Bit sequence:	X	X	A22	A21	A20	A19	A18	A17
AD2:Second Address Bit sequence:	A16	A15	A14	A13	A12	A11	A10	A9
AD3:Thrid Address Bit sequence:	X	X	X	X	X	X	A8	A7

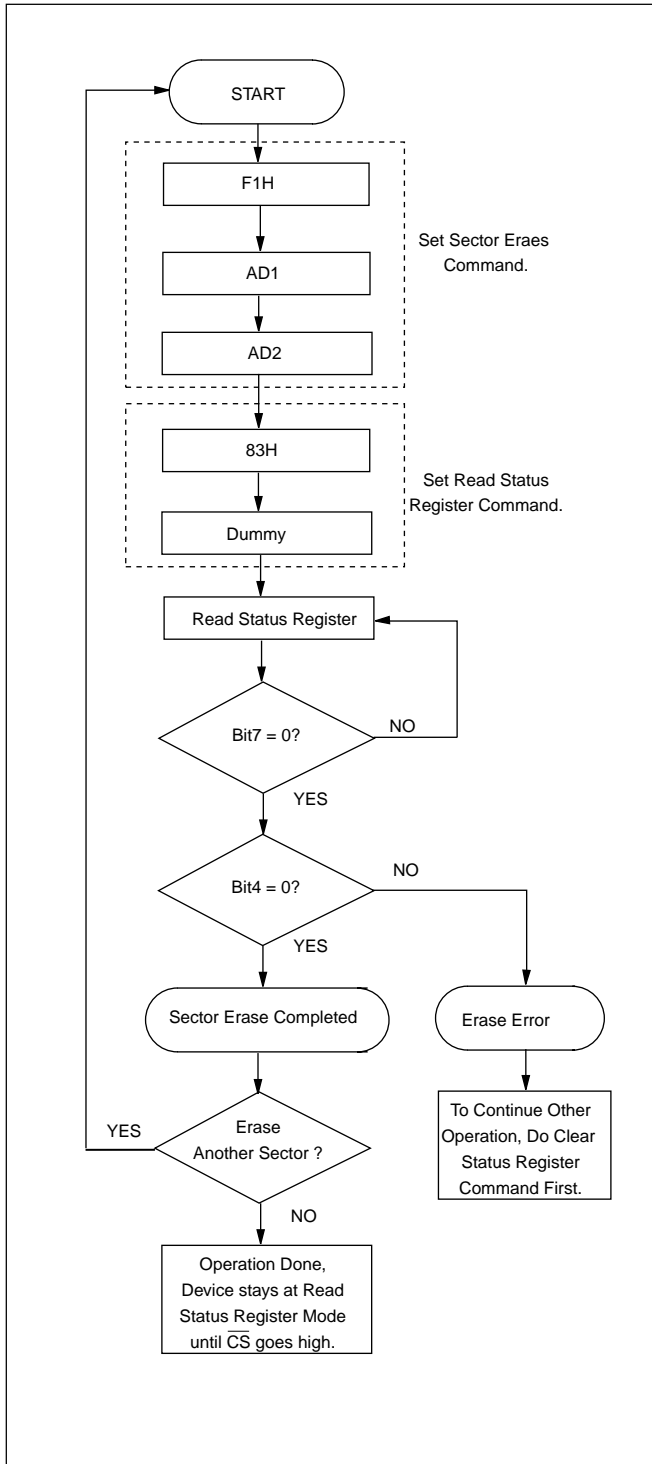
Auto Page Program Flow Chart



Auto Chip Erase Flow Chart



Auto Sector Erase Flow Chart



ELECTRICAL SPECIFICATIONS

ABSOLUTE MAXIMUM RATINGS

RATING	VALUE
Ambient Operating Temperature	0° C to 70° C
Storage Temperature	-55° C to 125° C
Applied Input Voltage	-0.5V to 4.6V
Applied Output Voltage	-0.5V to 4.6V
VCC to Ground Potential	-0.5V to 4.6V

NOTICE:

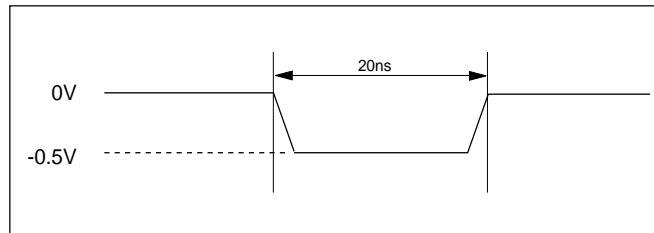
1. Stresses greater than those listed under ABSOLUTE MAXIMUM RATINGS may cause permanent damage to the device. This is stress rating only and functional operational sections of this specification is not implied. Exposure to absolute maximum rating conditions for extended period may affect reliability.

2. Specifications contained within the following tables are subject to change.

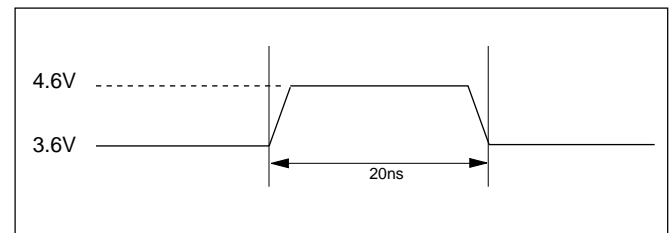
3. During voltage transitions, all pins may overshoot to 4.6V or -0.5V for period up to 20ns.

4. All input and output pins may overshoot to VCC+0.5V while VCC+0.5V is smaller than or equal to 4.6V.

Maximum Negative Overshoot Waveform



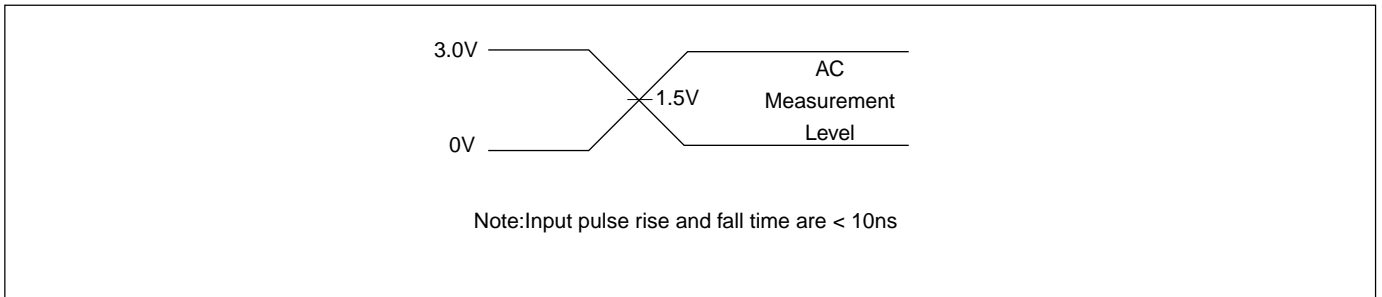
Maximum Positive Overshoot Waveform



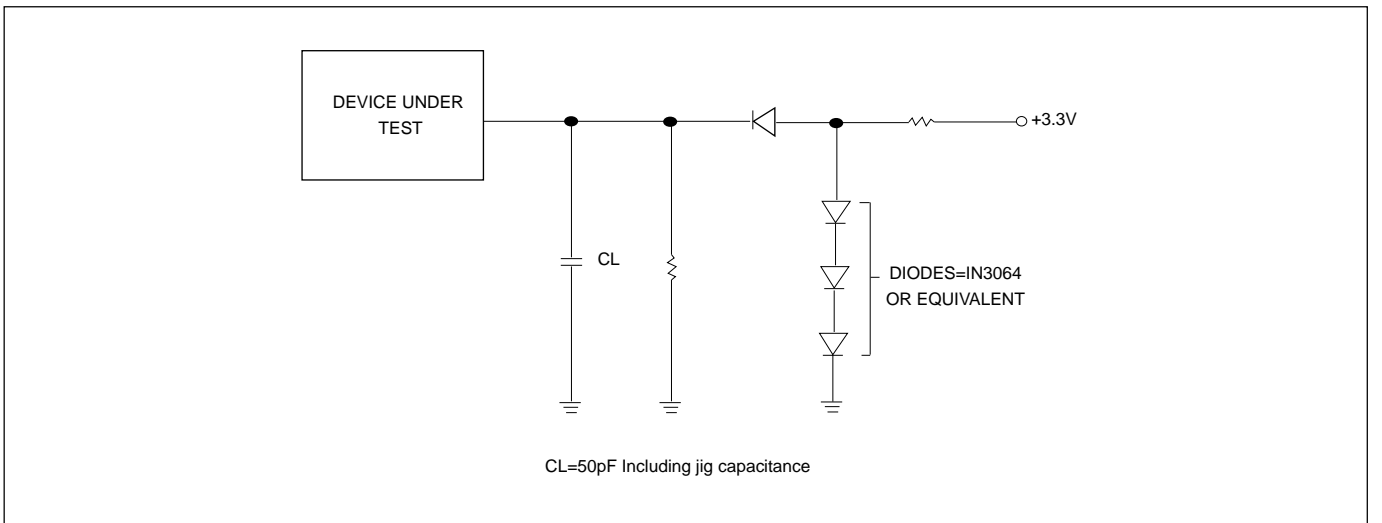
CAPACITANCE TA = 25° C, f = 1.0 MHz

SYMBOL	PARAMETER	MIN.	TYP	MAX.	UNIT	CONDITIONS
CIN	Input Capacitance			10	pF	VIN = 0V
COUT	Output Capacitance			10	pF	VOUT = 0V

INPUT TEST WAVEFORMS AND MEASUREMENT LEVEL



OUTPUT LOADING



DC CHARACTERISTICS (Temperature = 0°C to 70°C, VCC = 3.0V ~ 3.6V)

SYMBOL	PARAMETER	NOTES	MIN.	TYP	MAX.	UNITS	TEST CONDITIONS
ILI	Input Load Current	1			± 2	uA	VCC = VCC Max VIN = VCC or GND
ILO	Output Leakage Current	1			± 10	uA	VCC = VCC Max VIN = VCC or GND
ISB1	VCC Standby Current(CMOS)	1		5	50	uA	VCC = VCC Max $\overline{CS} = VCC \pm 0.2V$
ISB2	VCC Standby Current(TTL)			1	3	mA	VCC = VCC Max $\overline{CS} = VIH$
ICC1	VCC Read	1		24	29	mA	
ICC2	VCC Program Current	1		35	60	mA	Program in Progress
ICC3	VCC Erase Current	1		35	70	mA	Erase in Progress
ICC4	VCC Reset Current	1		5	50	uA	$\overline{RESET} = GND \pm 0.3V$
VHH	Voltage for ACC Program Acceleration	1	11.5		12.5	V	VCC=3.0V~3.6V
VIL	Input Low Voltage		-0.5		0.3VCC	V	
VIH	Input High Voltage		0.7VCC		VCC+0.5	V	
VOL	Output Low Voltage				0.4	V	IOL = 500uA, VCC=2/3 x VCC
VOH	Output High Voltage		0.8VCC			V	IOH = -100uA, VCC=VCC min.

NOTES:

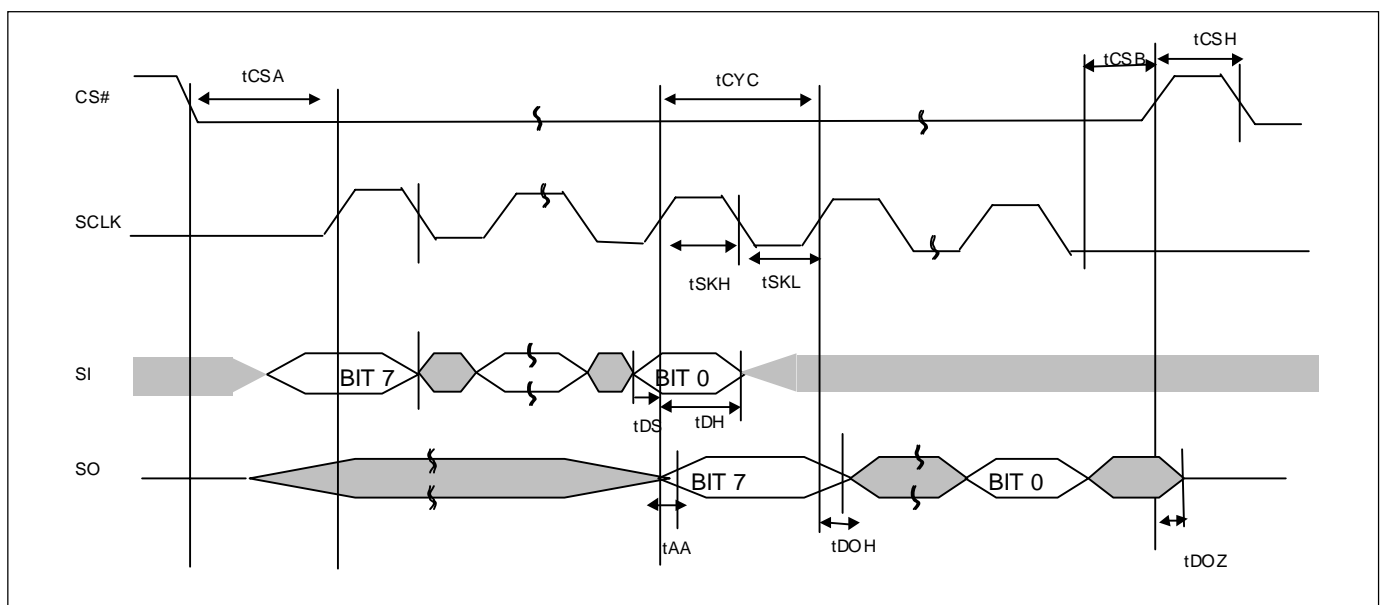
1. Typical values at VCC = 3.3V, T = 25°C. These currents are valid for all product versions (package and speeds).
2. Typical value is calculated by simulation.

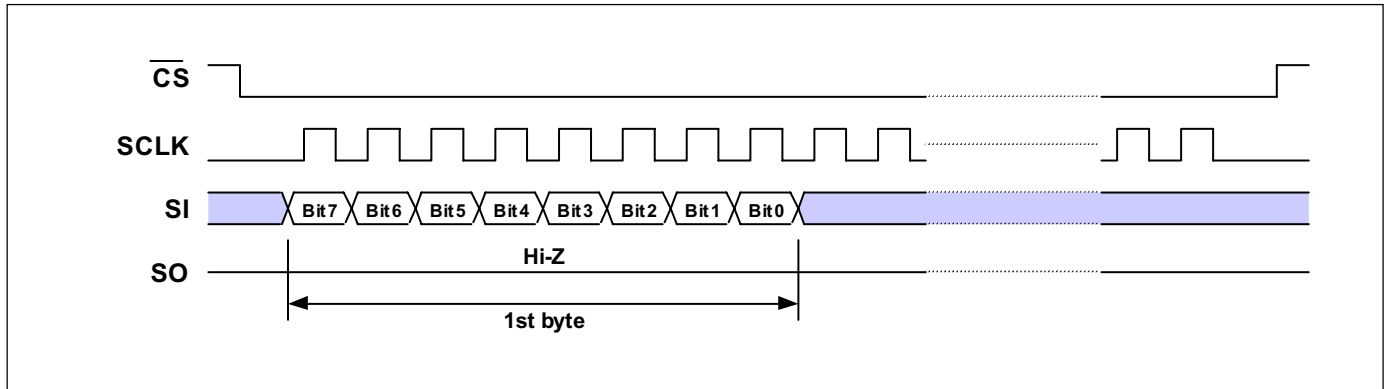
AC CHARACTERISTICS (Temperature = 0°C to 70°C, VCC = 3.0V ~ 3.6V)

SYMBOL	PARAMETER	Min.	Typ.	Max.	Units	Condition
fSCLK	Clock Frequency			25	MHz	
tCYC	Clock Cycle Time	40			ns	
tSKH	Clock High Time	20			ns	
tSKL	Clock Low Time	20			ns	
tR	Clock Rise Time			5	ns	f=25MHz
tF	Clock Fall Time			5	ns	f=25MHz
tCSA	$\overline{\text{CS}}$ Lead Clock Time	40			ns	
tCSB	$\overline{\text{CS}}$ Lag Clock Time	40			ns	
tCSH	$\overline{\text{CS}}$ High Time	80			ns	
tCSR	$\overline{\text{CS}}$ Rise Time			50	ns	
tCSF	$\overline{\text{CS}}$ Fall Time			50	ns	
tCSHR	$\overline{\text{RESET}}$ High Time to Write Command Valid	500			ns	
tRP	$\overline{\text{RESET}}$ Pulse Width	500			ns	
tRST	$\overline{\text{RESET}}$ Rise Time			100	us	
tRFT	$\overline{\text{RESET}}$ Fall Time			100	us	
tDS	SI Setup Time	5			ns	
tDH	SI Hold Time	20			ns	
tAA	Access Time			30	ns	
tDOH	SO Hold Time	5			ns	
tDOZ	SO Floating Time	0		20	ns	

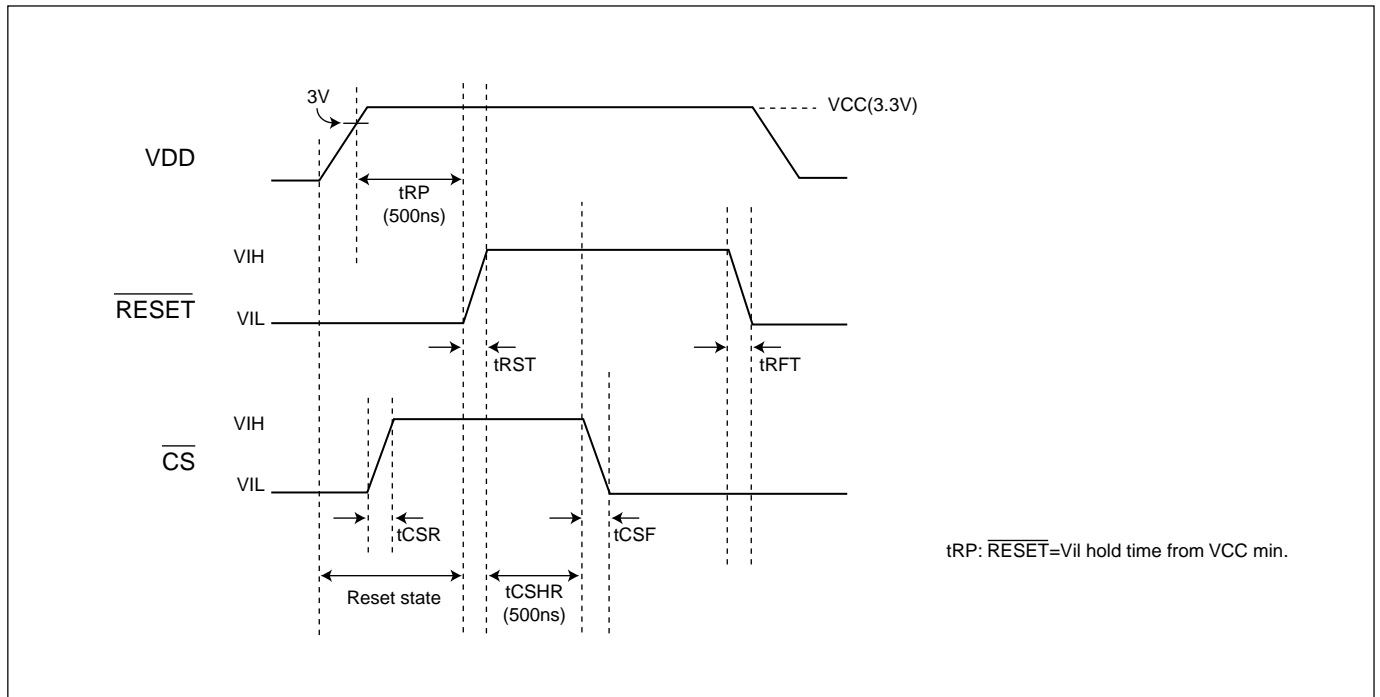
NOTES:

1. Typical value is calculated by simulation.

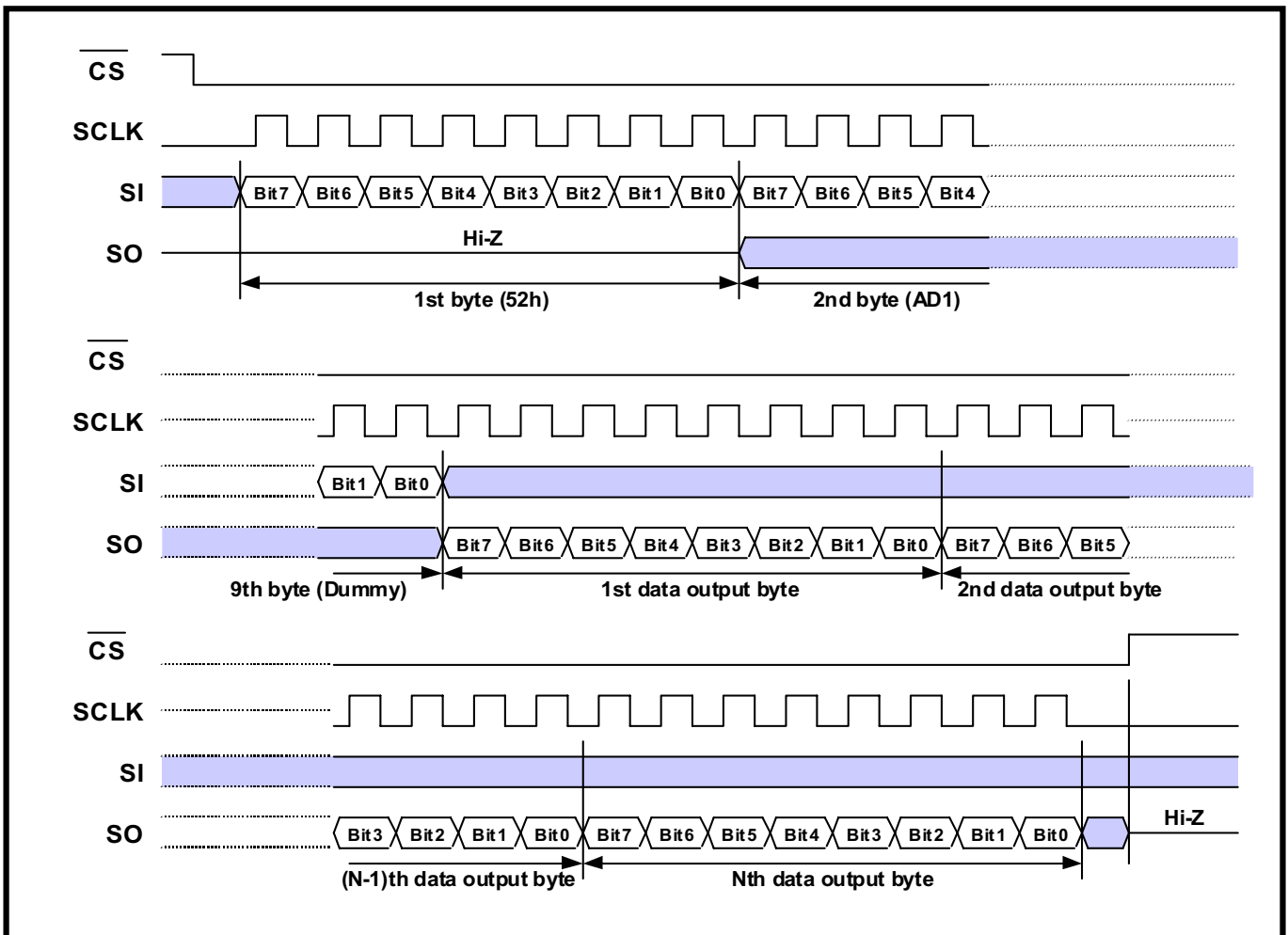
SERIAL DATA INPUT/OUTPUT TIMING


STANDBY TIMING WAVEFORM


When incorrect command is inputted to this LSI, this LSI becomes standby mode and keeps the standby mode until next \overline{CS} falling edge. In standby mode, SO pin of this LSI should be High-Z. While $\overline{CS}=VIH$, current=standby current, while $\overline{CS}=VIL$ and commands are issuing, or commands are invalid, current=24mA(typ.) to 29mA(max.).

RESET TIMING WAVEFORM


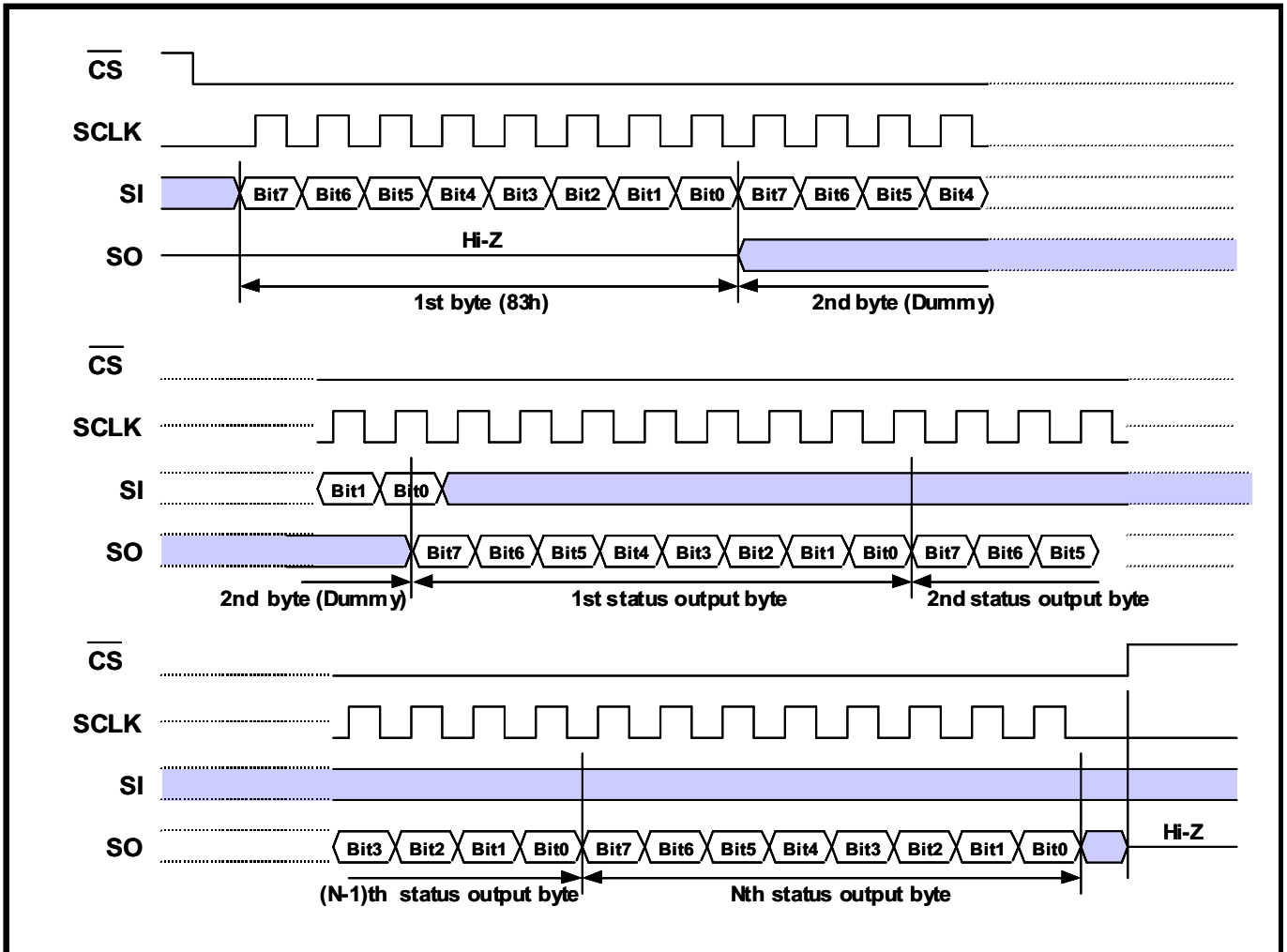
READ ARRAY TIMING WAVEFORM



NOTES:

1. 1st Byte='52h'
2. 2nd Byte=Address 1(AD1), A17=BIT 0, A18=BIT1, A19=BIT2, A20=BIT3, A21=BIT4, A22=BIT5.
3. 3rd Byte=Address 2(AD2), A9=BIT0, A10=BIT1,.....A16=BIT7
4. 4th Byte=Address 3(AD3), A7=BIT0, A8=BIT1
5. 5th Byte=Byte Address(BA), A0=BIT0, A1=BIT1,.....A6=BIT6
6. 6th-9th Bytes for SI ==> Dummy Bytes (Don't care)
7. From Byte 10, SO Would Output Array Data

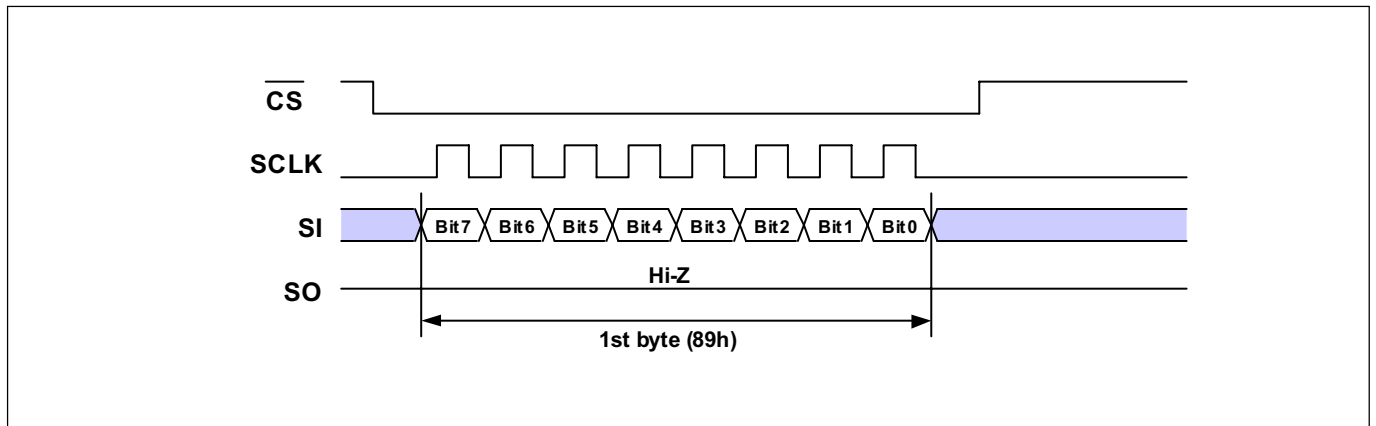
READ STATUS REGISTER TIMING WAVEFORM



NOTES:

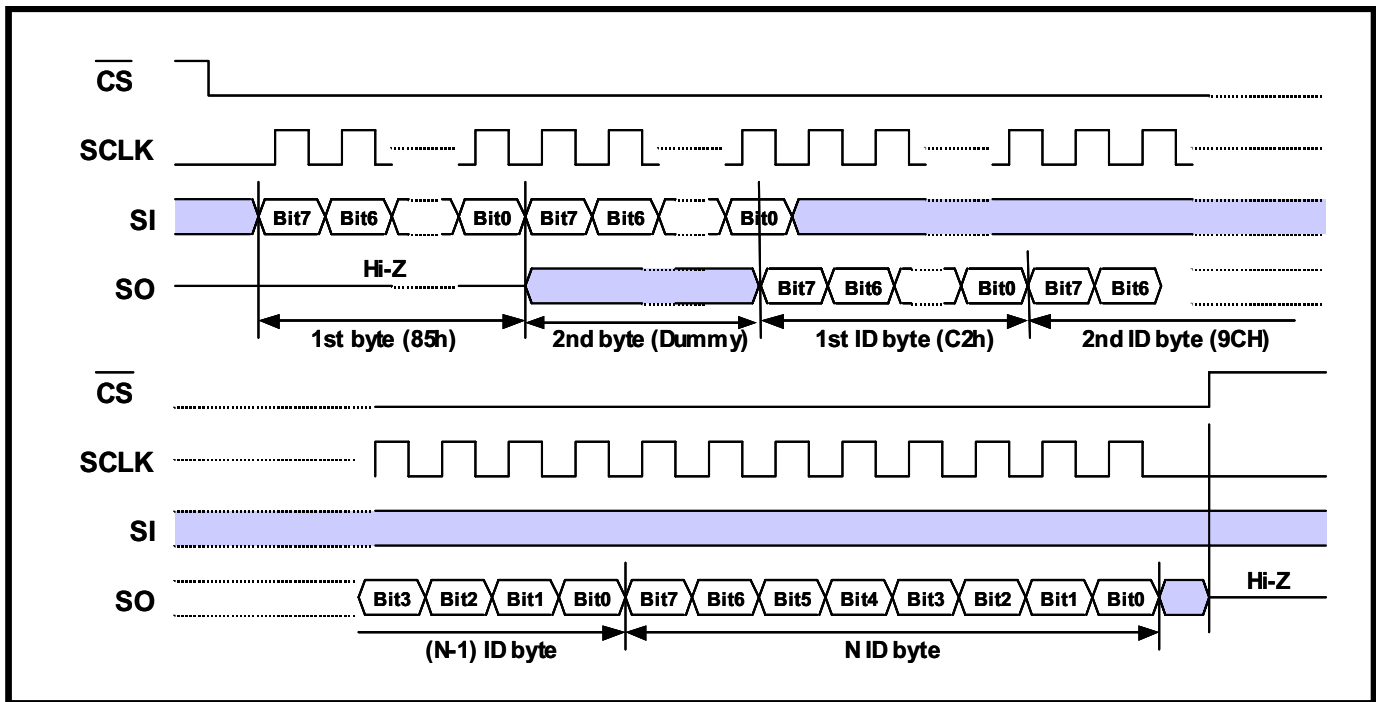
1. BIT 7=0 ==> Program/Erase completed
2. BIT 4=1 ==>Erase Error
3. BIT 3=1 ==>Program Error
4. BIT 1,2,5,6 ==> Reserve for future use
5. Bit 0=1 ==> Device is in ready state

CLEAR STATUS REGISTER TIMING WAVEFORM



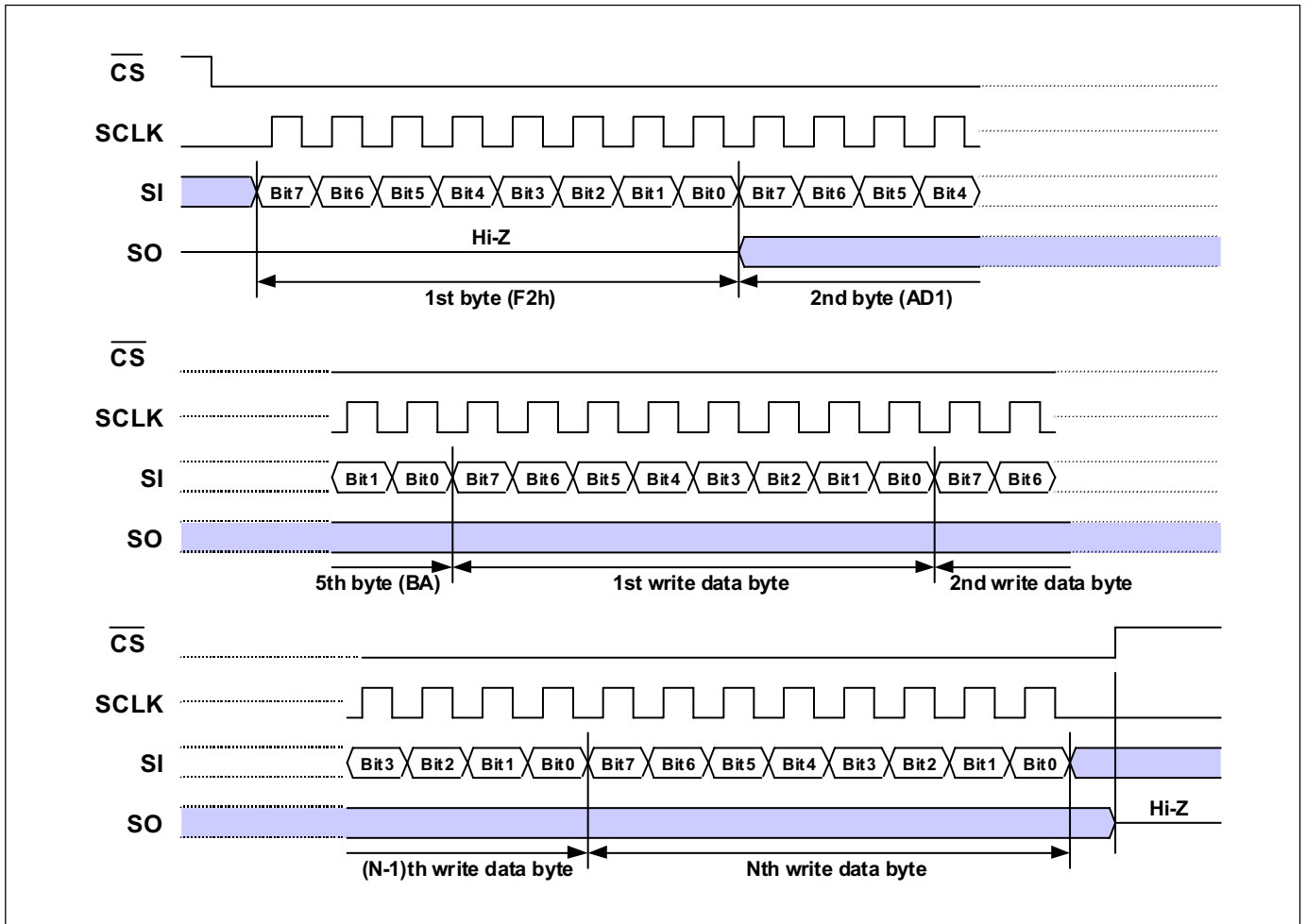
NOTES:

1. 1st Byte='89h' ==> CLEAR STATUS REGISTER
2. SO at Hi-Z state

READ ID TIMING WAVEFORM

NOTES:

1. 1st Byte:85h.
2. 2nd Byte:Dummy Byte.
3. 3rd Byte:Output Manufacture Code(C2h).
4. 4th Byte:Output Device Code(9CH).
5. The 2 bytes ID output will be wrap around.

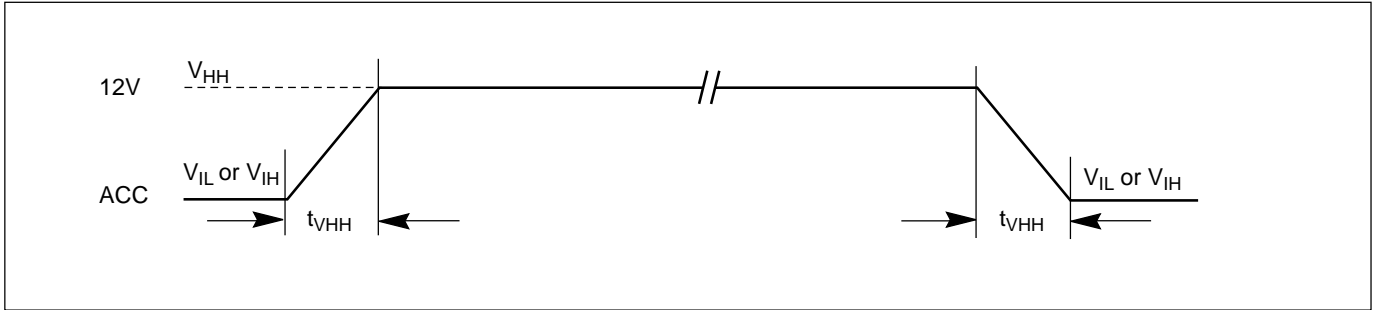
AUTO PAGE PROGRAM TIMING WAVEFORM



NOTES:

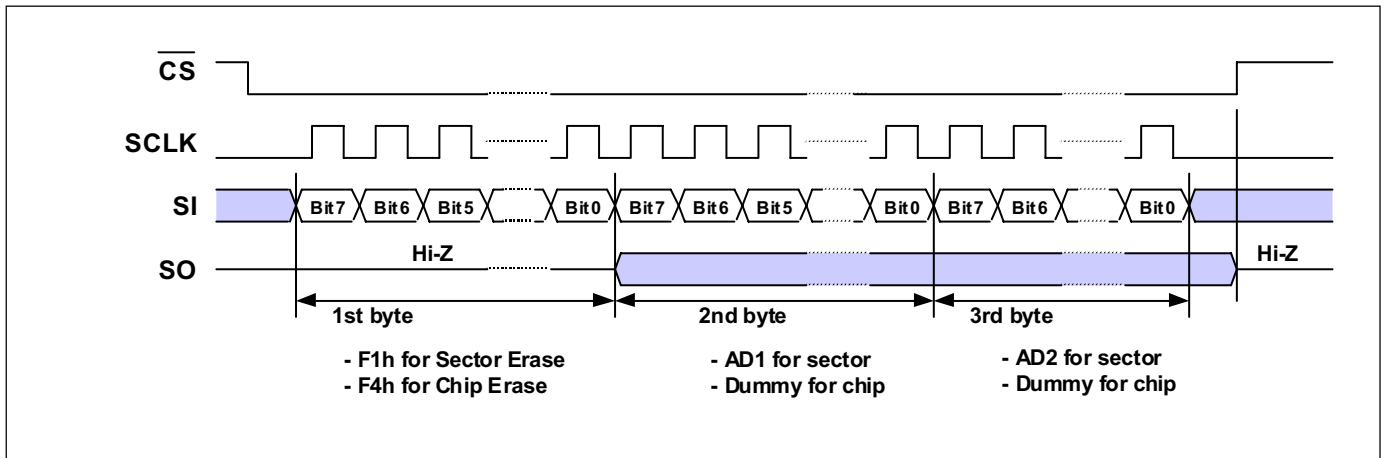
1. 1st Byte:F2h.
2. 2nd Byte:Address AD1.
3. 3rd Byte:Address AD2
4. 4th Byte:Address AD3
5. 5th Byte:Address BA.
6. 6th byte:1st write data byte.
7. When the last byte of the page will be written, the Byte Address will be wrap around to the first byte of the Page.
8. The 128-byte page address (A6~A0) must start from 0.

ACCELERATED PROGRAM TIMING DIAGRAM



Note: t_{VHH} (V_{HH} Rise and Fall Time) min. 250ns

AUTO SECTOR/CHIP ERASE TIMING WAVEFORM



NOTES:

1. 1st byte:F1h for Sector Erase.
2. 2nd byte:Address AD1 for Sector Erase, Dummy byte for chip erase.
3. 3rd byte:Address AD2 for Sector Erase, Dummy byte for chip erase.

ERASE AND PROGRAMMING PERFORMANCE

PARAMETER	TYP. (1)	Max. (2)	UNIT	Comments
Chip Erase Time	160	512	s	Note (4)
Chip Erase Time (with ACC=12V)	128	410	s	Note (4)
Sector erase Time	3	24	s	Note (4)
Sector erase Time (with ACC=12V)	2.4	19	s	Note (4)
Page Programming Time	4	16	mS	Excludes system level overhead(3)
Page Programming Time (with ACC=12V)	3.2	12.8	mS	
Chip Programming Time	240	480	s	Excludes system level overhead(3)
Chip Programming Time (with ACC=12V)	180	360	s	

Note:

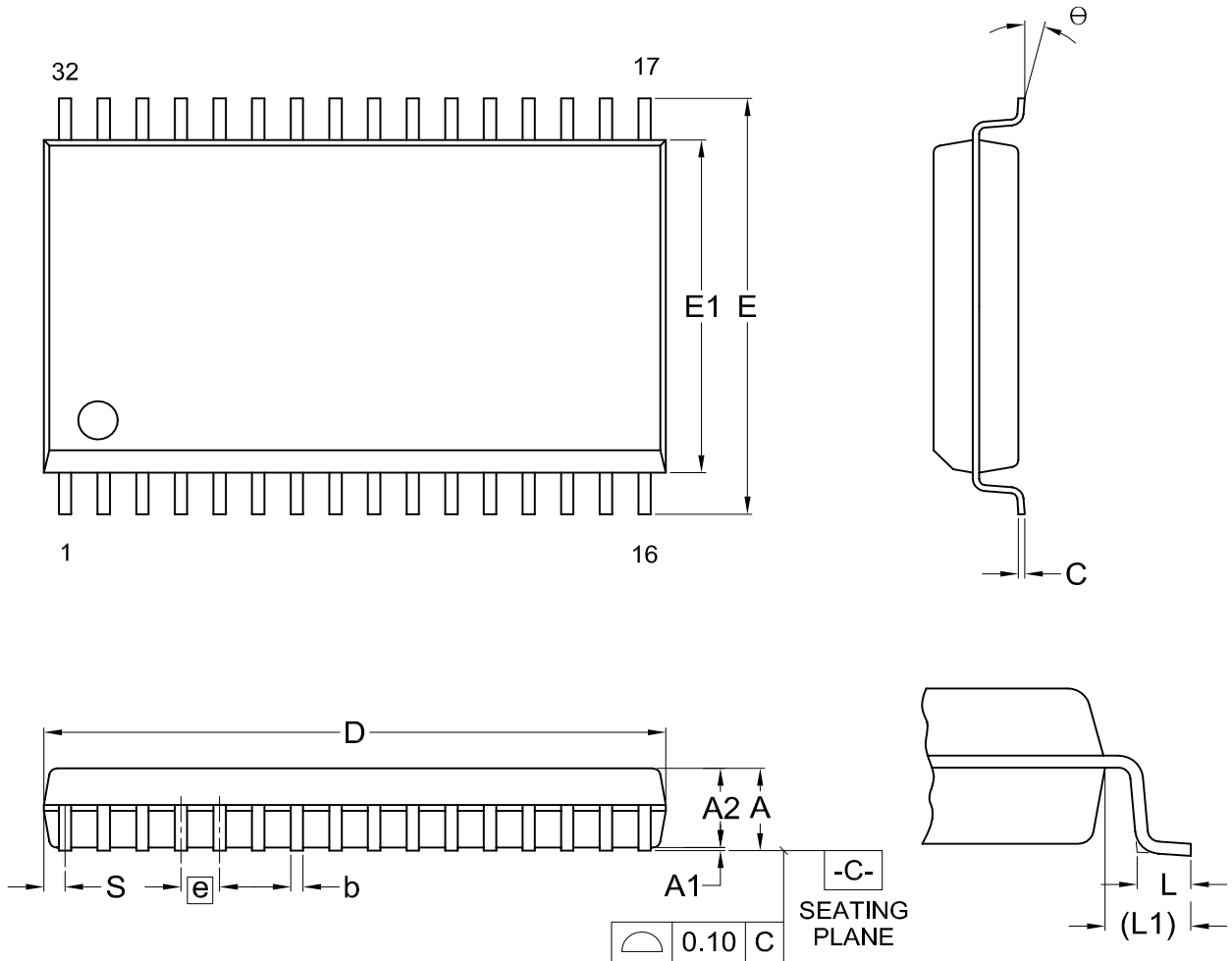
1. Typical program and erase time assumes the following conditions: 25° C, 3.0V, and all bits are programmed by checker-board pattern.
2. Under worst conditions of 70° C and 3.0V. Maximum values are up to including 100 program/erase cycles.
3. System-level overhead is the time required to execute the command sequences for the page program command.
4. Excludes 00H programming prior to erasure. (In the pre-programming step of the embedded erase algorithm, all bits are programmed to 00H before erasure)

ORDERING INFORMATION

PART NO.	ACCESS TIME	OPERATING CURRENT	STANDBY CURRENT	PACKAGE	Remark
MX25L6402MC-40	25MHz	24mA	50uA	32 pin SOP (450 mil)	
MX25L6402MC-40G	25MHz	24mA	50uA	32 pin SOP (450 mil)	Pb-free

PACKAGE INFORMATION

Title: Package Outline for SOP 32L (450MIL)



Dimensions (inch dimensions are derived from the original mm dimensions)

SYMBOL		A	A1	A2	b	C	D	E	E1	e	L	L1	S	θ
UNIT														
mm	Min.	---	0.10	2.59	0.36	0.15	20.32	13.92	11.18		0.56	1.20	0.58	0
	Nom.	---	0.15	2.69	0.41	0.20	20.45	14.12	11.30	1.27	0.76	1.40	0.70	5
	Max.	3.00	0.20	2.80	0.51	0.25	20.57	14.32	11.43		0.96	1.60	0.83	8
Inch	Min.	---	0.004	0.102	0.014	0.006	0.800	0.548	0.440		0.022	0.047	0.023	0
	Nom.	---	0.006	0.106	0.016	0.008	0.805	0.556	0.445	0.050	0.030	0.055	0.028	5
	Max.	0.118	0.008	0.110	0.020	0.010	0.810	0.564	0.450		0.038	0.063	0.033	8

DWG.NO.	REVISION	REFERENCE			ISSUE DATE
		JEDEC	EIAJ		
6110-1404	5	MO-099			11-26-'03

REVISION HISTORY

Revision No.	Description	Page	Date
1.0	1. Removed title "Preliminary" on page 1	P1	SEP/29/2004

MACRONIX INTERNATIONAL Co., LTD.

Headquarters:

TEL:+886-3-578-6688
FAX:+886-3-563-2888

Europe Office :

TEL:+32-2-456-8020
FAX:+32-2-456-8021

Hong Kong Office :

TEL:+86-755-834-335-79
FAX:+86-755-834-380-78

Japan Office :

Kawasaki Office :

TEL:+81-44-246-9100
FAX:+81-44-246-9105

Osaka Office :

TEL:+81-6-4807-5460
FAX:+81-6-4807-5461

Singapore Office :

TEL:+65-6346-5505
FAX:+65-6348-8096

Taipei Office :

TEL:+886-2-2509-3300
FAX:+886-2-2509-2200

MACRONIX AMERICA, INC.

TEL:+1-408-262-8887
FAX:+1-408-262-8810

<http://www.macronix.com>
