

## FEATURES AND SPECIFICATIONS

### Features and Benefits

- Connectors float in panel cutout up to 1.27mm (.050") in any direction
- 4 to 24 circuits for design flexibility
- Use standard Micro-Fit terminals to reduce inventory
- Innovative panel mounting design holds connectors firmly in place
- Fully isolated contacts prevent terminal damage
- Fully polarized to completely prevent mismatching

### Reference Information

Product Specification: PS-44300

Packaging: Bag

Mates with: 44133

Use with: 43031

Designed in: Millimeters

### Electrical

Dielectric Withstanding Voltage: 1500V AC  
Insulation Resistance: 1000 MΩ min.

### Mechanical

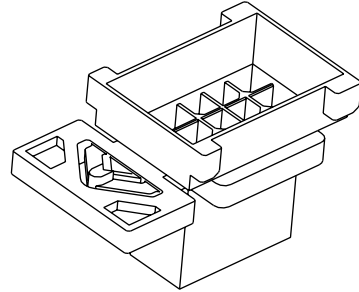
Contact Insertion Force: 14.7N (3.30 lb)  
Contact Retention to Housing: 24.5N (5.51 lb)

### Physical

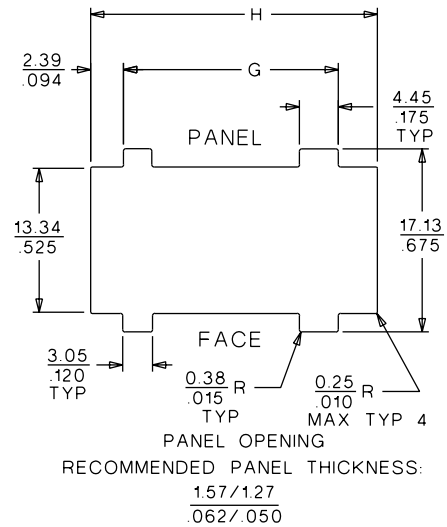
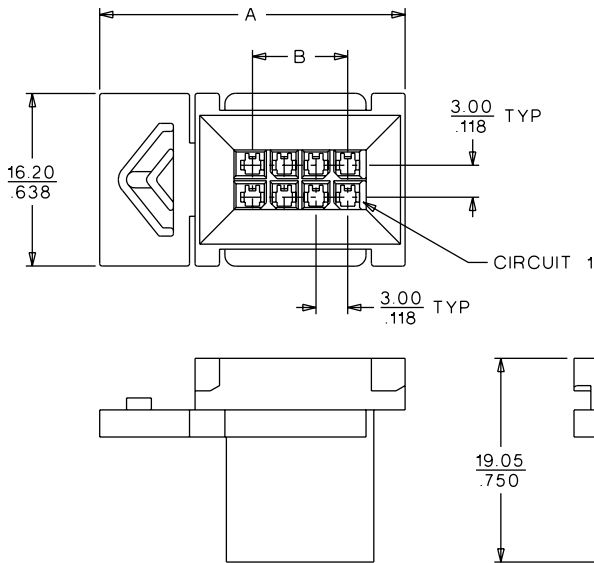
Housing: Polyester, UL 94V-0  
Operating Temperature: -40 to +105°C

# molex® 3.00mm (.118") Micro-Fit 3.0, BMI™ Panel-to-Panel Plug

## 44300 Dual Row



## CATALOG DRAWING (FOR REFERENCE ONLY)



## ORDERING INFORMATION AND DIMENSIONS

Circuits	Order No.	Dimension			
		A	B	G	H
4	44300-0400	22.84 (.900)	3.00 (.118)	14.85 (.585)	20.85 (.821)
6	44300-0600	25.84 (1.02)	6.00 (.236)	17.85 (.703)	23.85 (.939)
8	44300-0800	28.84 (1.14)	9.00 (.354)	20.85 (.821)	26.85 (1.057)
10	44300-1000	31.84 (1.26)	12.00 (.472)	23.85 (.939)	29.85 (1.175)
12	44300-1200	34.84 (1.38)	15.00 (.591)	26.85 (1.057)	32.85 (1.293)
14	44300-1400	37.84 (1.49)	18.00 (.709)	29.85 (1.175)	35.85 (1.411)
16	44300-1600	40.84 (1.61)	21.00 (.827)	32.85 (1.293)	38.85 (1.530)
18	44300-1800	43.84 (1.73)	24.00 (.945)	35.85 (1.411)	41.85 (1.648)
20	44300-2000	46.84 (1.85)	27.00 (1.063)	38.85 (1.530)	44.85 (1.766)
22	44300-2200	49.84 (1.97)	30.00 (1.181)	41.85 (1.648)	47.85 (1.884)
24	44300-2400	52.84 (2.08)	33.00 (1.299)	44.85 (1.766)	50.85 (2.002)

