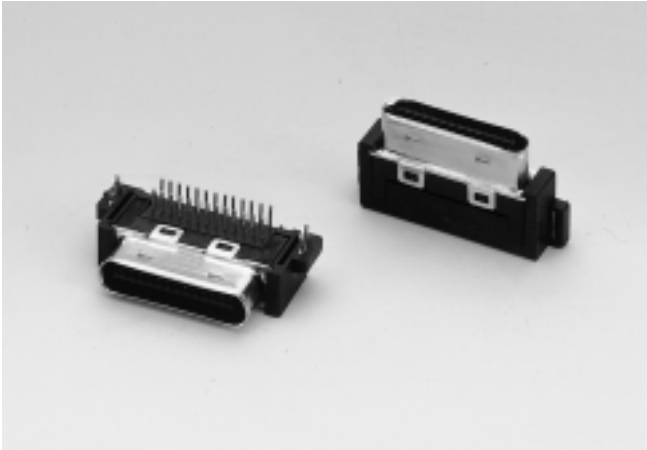


HALF PITCH ULTRA THIN D-SUB

查询"127120MR"供应商
(MALE SOLDER P.C.B. MOUNT TYPE)

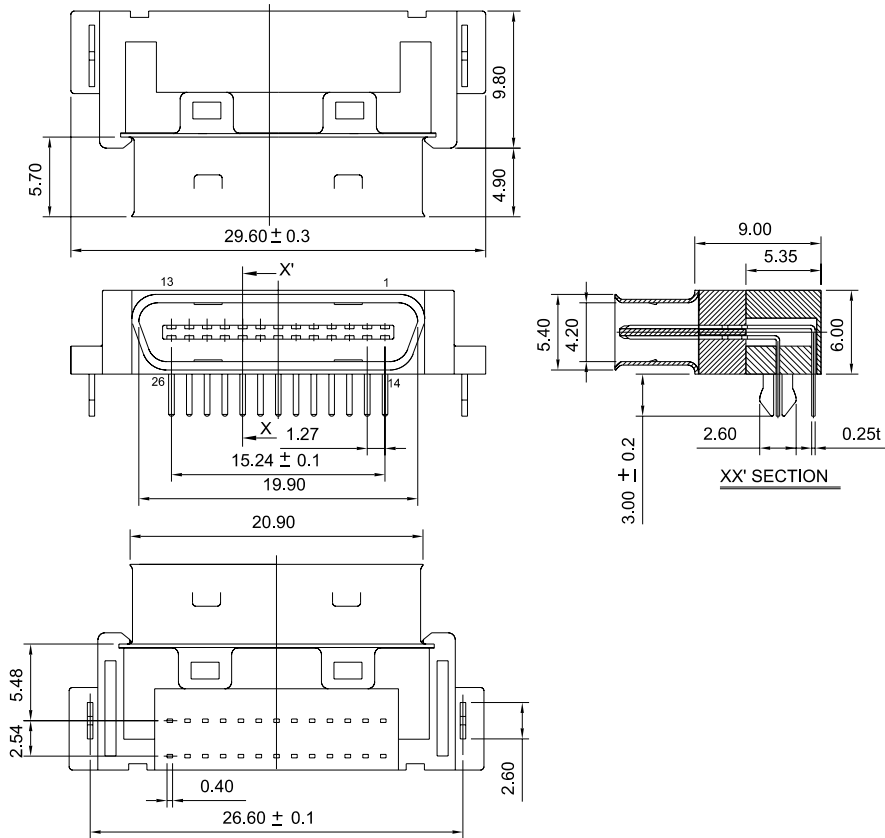


127120MR Series

Mates with SUYIN 127113, 127115 Series

Specifications:

- 26 Circuits
- Insulator Material : Black High Temp. Plastic
- Operating Temp. Range : -40°C to +105°C
- Terminal Material : Phosphor Braze
- Plating : Selective Plated (Gold/Tin)
: Metal shell-Nickel Plated
- Max. Current Rating : 0.5A
- Voltage Rating : 150V AC
- Dielectric Strength : 500V (Min. 60 Seconds)



I/O

Order Information

Recommended P.C.B Layout I

Recommended P.C.B Layout II

127120MR026S500ZU
1 2 3 4 5

1. 'R' : Right Angle Dip Type
 2. No. of Pins
 3. Plating
'S5' : 30u" selctive gold
in contact area
/min. 100u"tin solder
area
 4. Color 'Z' : Black
 5. Package
'U' : Tube Package Without Cap
- Reference Page 11

