

KR Electronics

General Description

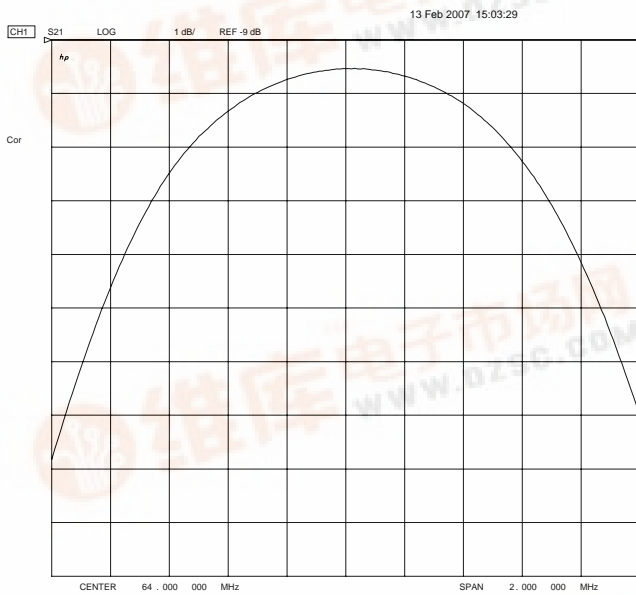
KR 2762 is a 64 MHz surface mount bandpass filter. The filter has a minimum 3 dB bandwidth of 1 MHz. Other passband frequencies are available. Please consult the factory.

Features

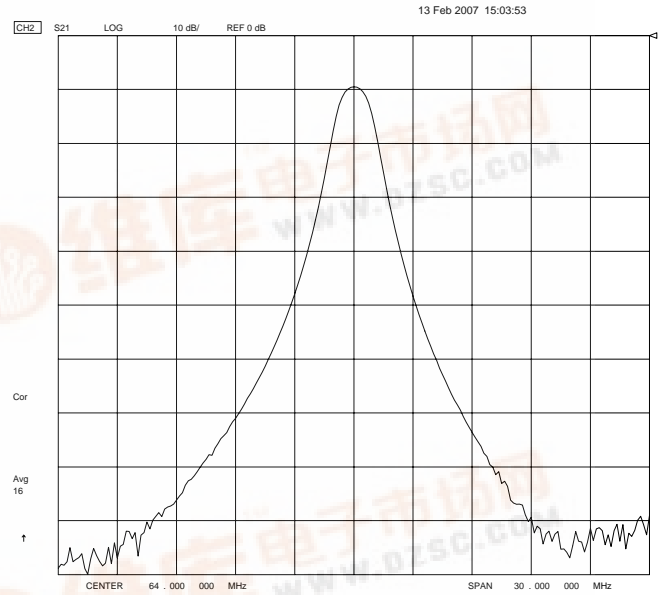
- 64 MHz Center Frequency
- Surface Mount Package
- 50 Ω Source and Load

Typical Performance

Passband Amplitude
(1 dB/div)



Overall Response
(10 dB/div)



KR Electronics, Inc.
91 Avenel Street
Avenel, NJ 07001

Web www.krfilters.com
 Email sales@krfilters.com
 Phone (732) 636-1900
 Fax (732) 636-1982

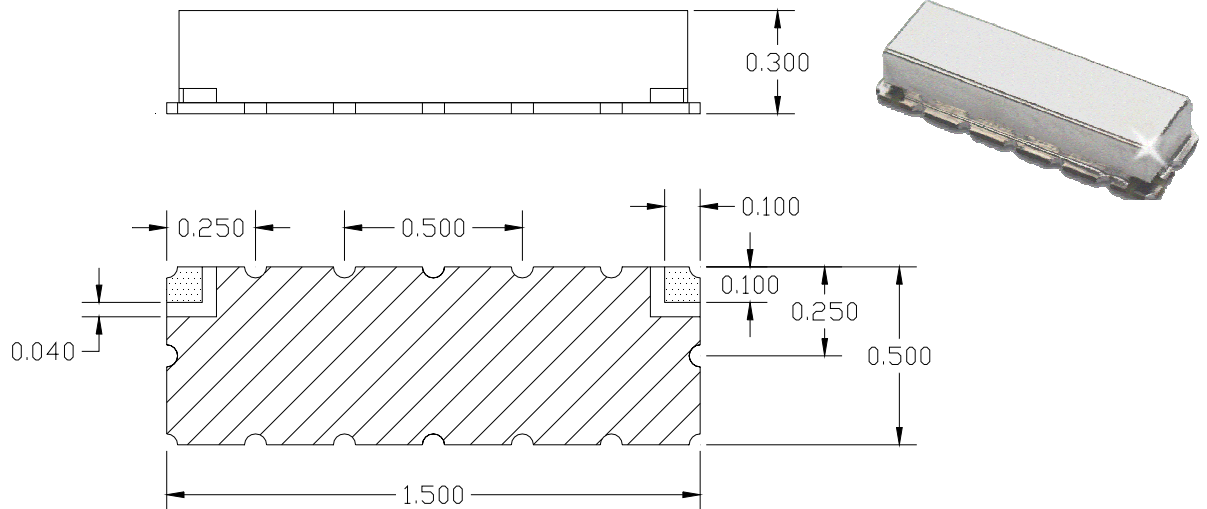


KR Electronics 2762

Specifications

Parameter	Specification
Filter type	Bandpass
Center Frequency	64 MHz
Insertion Loss	< 11 dB (9.5 dB typical)
1 dB Bandwidth	1 MHz min, 2 MHz max
Attenuation at 60 MHz	40 dB min
Attenuation at 70 MHz	40 dB min
Source and Load	50 Ω

Physical Dimensions



Notes:

1. Surface mount package — Metal cover, open frame
2. Dimensions in inches
3. Maximum reflow temperature 209° C for 10 seconds maximum
4. If boards are cleaned after installation, units must be completely dried