

TO-92 Plastic Package Transistors (PNP)

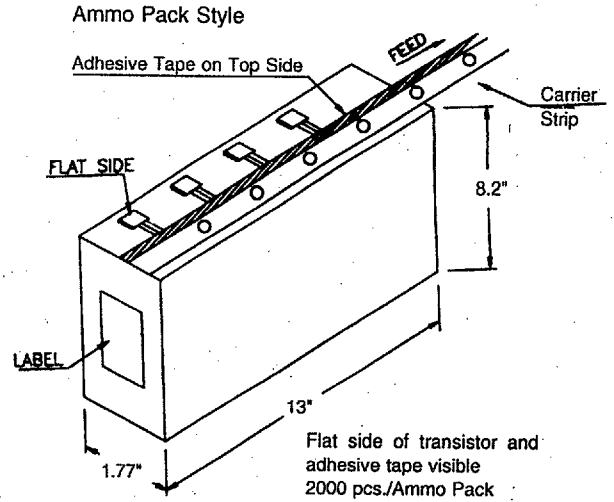
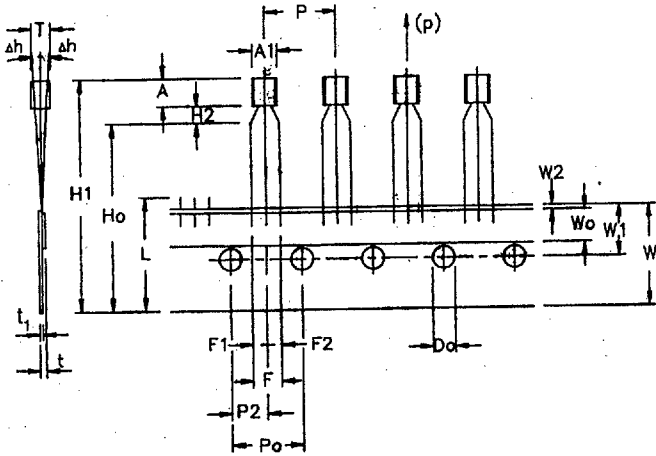


[查询"2N5142"供应商](#)

Maximum Ratings						Electrical Characteristics (Ta=25°C, Unless Otherwise Specified)																
Type No.	V _{CBO} (V)	V _{CEO} (V)	V _{EBO} (V)	P _D (W)	I _C (A)	I _{CBO} (μA)	V _{CB} (V)	I _{CES} (μA)	V _{CE} (V)	h _{FE}	I _C & V _{CE}	V _{CE(SAT)} (V)	V _{BE(SAT)} (V)	I _C	C _{ob} (pF)	f _t (MHz)	t _{on} (ns)	N _F (dB)	Freq (MHz)	C _{ob} (pF)	CDIL Case Style	
	Min	Min	Min	@Tc=25°C	Max	Max	@ (V)	Max	@ (V)	Min Max	(mA) (V)	Max Min	Max	@ (mA)	Typ Max	Min Typ Max	Max	Max	Max	Max	Max	
2N5142	20	20	4	0.625	0.6			0.05	12	15	300 10	0.5	1.5	50	10	100	50	200				TO-92
										30	50 1	0.2	0.8	2.5 300								TO-92
2N5143	20	20	4	0.625	0.6			0.05	12	15	300 10	0.5	1.5	50	10	100	50	200				TO-92
										30	50 1	0.2	0.8	2.5 300								TO-92
2N5221	15	15	3	0.625	0.6	0.1	10			30	600 50 10	0.5	1.1	150	15	100	20					TO-92
										25	10 10											TO-92
2N5226	25	25	4	0.625	0.6	0.3	15			30	600 50 10	0.8	1	100	20	50	20					TO-92
										25	10 10											TO-92
2N5354	25	25	4	0.625	0.6	0.1	25			40	120 50 1	0.25		50	8							TO-92-1
2N5355	25	25	4	0.625	0.6	0.1	25			100	300 50 1	0.25		50	8							TO-92-1
2N5365	40	40	4	0.625	0.6	0.1	40	0.1	40	20	300 5	0.25	1.1	50	8	250	2					TO-92-1
										40	120 50 1	1	2	300								TO-92-1
										32	2 10											TO-92-1
2N5366	40	40	4	0.625	0.6	0.1	40	0.1	40	40	300 5	0.25	1.1	50	8	250	2					TO-92-1
										100	300 50 1	1	2	300								TO-92-1
										80	2 10											TO-92-1
2N5400	130	120	5	0.5	0.6	0.1	100			40	50 5	0.2	1	10	6	100	400 10	8				TO-92
										40	180 10 5	0.5	1	50								TO-92
										30	1 5											TO-92
2N5401	160	150	5	0.625	0.6	0.05	120			50	50 5	0.2	1	10	6	100	300 10	8				TO-92
										60	240 10 5	0.5	1	50								TO-92
										50	1 5											TO-92
2N5447	40	25	5	0.625	0.6	0.1	20			60	300 50 5	0.25		50	12	100	50					TO-92-4
2N5448	50	30	5	0.625	0.5	0.1	20			30	150 50 5	0.25		50	12	100	50					TO-92-4
2N5817	50	40	5	0.625	0.6	0.1	25	0.5	20	25	500 2	0.75	1.2	500	15	100	50					TO-92-4
										100	200 2 2											TO-92-4
2N6519	300	300	5	0.625	0.5	0.05	250			30	10 10	0.3	0.75	10	6	40	200 10	3.5				TO-92
										45	30 10	0.35	0.85	20								TO-92
										45	270 50 10	0.5	0.9	30								TO-92
										40	200 100 10	1		50								TO-92
										20	10											TO-92
2N6520	350	350	5	0.625	0.5	0.05	250			20	1 10	0.3	0.75	10	6	40	200 10	3.5				TO-92
										30	10 10	0.35	0.85	20								TO-92
										30	200 30 10	0.5	0.9	30								TO-92
										20	200 50 10	1		50								TO-92
										15	100 10											TO-92
BC204	50	45	5	0.625	0.1	0.05	45			50	450 2 5	0.3		10				10				TO-92
#BC212	60	50	5	0.35	0.1	0.015	30			40	0.01 5	0.6	1.4	100	6	280	10	10	0.001			TO-92-4
										60	2 5											TO-92-4
#BC214C	45	30	5	0.35	0.1	0.015	30			100	600 0.01 5	0.6	1.1	100	6	200 320	10	2	0.001			TO-92-4
										350	600 2 5	0.25	1.1	10								TO-92-4
												0.25	0.72	2								TO-92-4
BC252	30	25	5	0.35	0.1			0.1	20	120	800 2 5	0.3		10	6	360	10	10	0.001			TO-92-4
												0.65		100								TO-92-4
BC252A	30	25	5	0.35	0.1			0.1	20	120	220 2 5	0.3		10	6	360	10	10	0.001			TO-92-4
												0.65		100								TO-92-4
BC252B	30	25	5	0.35	0.1			0.1	20	180	460 2 5	0.3		10	6	360	10	10	0.001			TO-92-4
												0.65		100								TO-92-4

hFE values are hfe(min) and hfe(max) at 1.0 KHz.

MECHANICAL DATA



Item	Symbol	Specification				Remarks
		Min.	Nom.	Max.	Tol.	
Body Width	A1	4.0		4.8		
Body Height	A	4.8		5.2		
Body Thickness	T	3.9		4.2		
Pitch of Component	P		12.7		±1	
Feed Hole Pitch	Po		12.7		±0.3	Cumulative Pitch Error 1.0 mm/20 Pitch
Feed Hole Centre to Component Centre	P2		6.35		±0.4	To be measured at bottom of Clinch
Distance between Outer Leads	F		5.08		±0.6	
Component Alignment	Δh		0	1	-0.2	At Top of Body
Tape Width	W		18		±0.5	
Hold-Down Tape Width	W0		6		±0.2	
Hole Position	W1		9		±0.7	
Hold-Down Tape Position	W2		0.5		±0.2	
Lead Wire Clinch Height	Ho		16		±0.5	
Component Height	H1			32.25		
Length of Snipped leads	L			11.0		
Feed Hole Diameter	Do		4		±0.2	
Total Tape Thickness	t			1.2		t ₁ 0.3-0.6
Lead-to-Lead Distance	F1,F2		2.54		+0.4 -0.1	
Clinch Height	H2			3		
Pull-out Force	(p)	6N				

Dimensions in m.m.

- Notes:
- Maximum alignment deviation between leads not to be greater than 0.2 mm.
 - Maximum non-cumulative variation between tape feed holes shall not exceed 1 mm in 20 pitches
 - Hold-down tape not to exceed beyond the edge(s) of carrier tape and there shall be no exposure of adhesive.
 - No more than 3 consecutive missing components permitted.
 - A tape trailer, having at least three feed holes is required after the last component.
 - Splices shall not interfere with the sprocket feed holes.