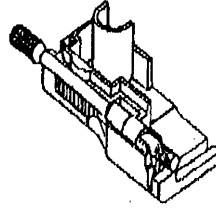
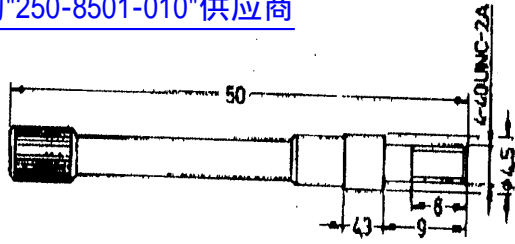


Recess head/Conical screw  
 260-8501-013  
 Material: Messing/brass  
 Oberfläche/finish: Nickel/nickel plated  
 je 2 Stück pro Verwendung/2 pcs. each per application

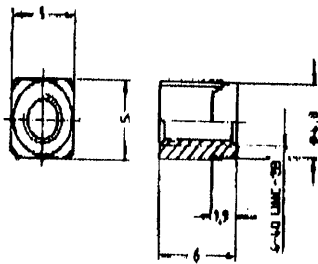
105 852

查询"250-8501-010"供应商

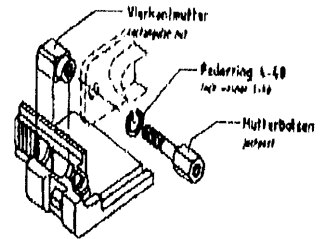
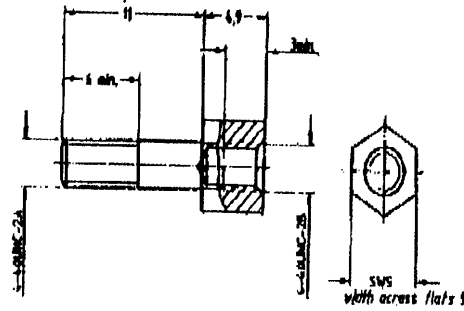


Schraubverriegelung/Jackscrew assembly  
 D121073-10  
 Material: Messing/brass  
 Oberfläche/finish: Nickel/nickel plated  
 je 2 Stück pro Verwendung/2 pcs. each per application

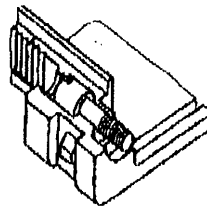
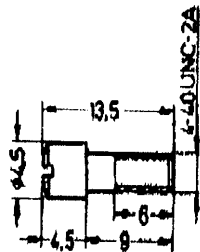
Vierkanmutter/Rectangular nut



Mutterbolzen/Jack post

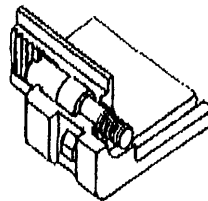
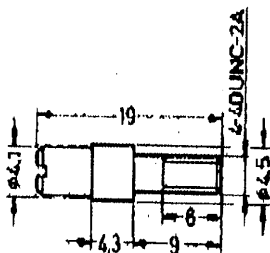


Schraube/Jackscrew  
 kurz/recessed head 250-8501-004  
 je 2 Stück pro Verwendung/2 pcs. each per application

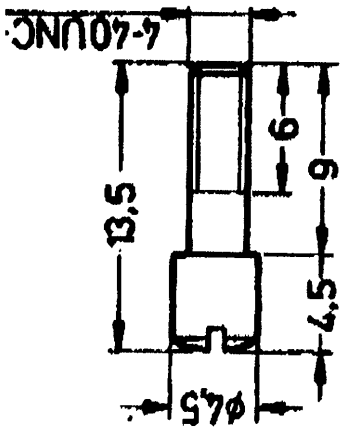
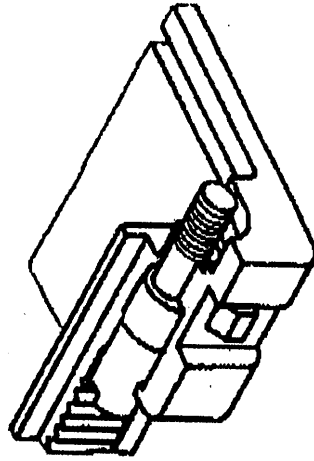
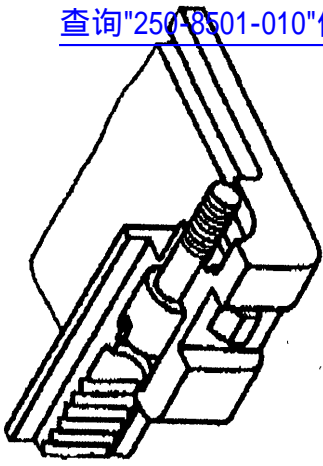


Schraube/Jackscrew  
 lang/non recessed head 250-8501-010  
 Material: Messing/brass  
 Oberfläche/finish: Nickel/nickel plated  
 je 2 Stück pro Verwendung/2 pcs. each per application

-009 = M3  
 (-013 = M3)



[查询"250-8501-010"供应商](#)



- 009 = M3  
 (- 013 = M3)

Schraube/Jackscrew  
 lang/non recessed head 250-8501-010  
 Material: Messing/brass  
 Oberfläche/finish: Nickel/nickel plated  
 je 2 Stück pro Verwendung/2 pcs. each per application

