



## 20mm MOV Assemblies

| MAXIMUM RATINGS |               |                            |                      |                          |                                       | ELECTRICAL CHARACTERISTICS   |       |   |     |                               |
|-----------------|---------------|----------------------------|----------------------|--------------------------|---------------------------------------|------------------------------|-------|---|-----|-------------------------------|
| P/N             | MOVS PER ASSY | CONTINUOUS AC LINE VOLTAGE | TRANSIENT            |                          |                                       | VARISTOR VOLTAGE (@ 1 mA DC) |       | MAXIMUM CLAMPING VOLTAGE @ TEST CURRENT (8 x 20 μs) |     | TYPICAL CAPACITANCE (@ 1 kHz) |
|                 |               |                            | ENERGY (10 x 1000μs) | PEAK CURRENT (8 x 20 μs) | MAXIMUM POWER DISSIPATION RATING (Pm) | MIN                          | MAX   | VOLTS   | AMP |                               |
|                 |               | VOLTS                      | JOULES               | AMP                      | Pm – WATTS                            | VOLTS                        | VOLTS | VOLTS   | AMP | pF                            |
| CS811           | 1             | 120                        | 65                   | 6500                     | 1.0                                   | 170                          | 207   | 320   | 100 | 2500                          |
| CS821           | 1             | 240                        | 130                  | 6500                     | 1.0                                   | 354                          | 432   | 650   | 100 | 920                           |
| CS831           | 3             | 240                        | 130                  | 6500                     | 1.0                                   | 354                          | 432   | 650   | 100 | 920                           |
| CS841           | 3             | 480                        | 180                  | 6500                     | 1.0                                   | 679                          | 829   | 1240  | 100 | 800                           |
| CS851           | 3             | 575                        | 220                  | 6500                     | 1.0                                   | 621                          | 1002  | 1500  | 100 | 670                           |
| CS861           | 4             | 240                        | 130                  | 6500                     | 2.0                                   | 340                          | 414   | 640   | 100 | 1250                          |
| CS871           | 4             | 480                        | 260                  | 6500                     | 2.0                                   | 708                          | 864   | 1300  | 100 | 460                           |
| CS881           | 4             | 575                        | 300                  | 6500                     | 2.0                                   | 850                          | 1036  | 1580  | 100 | 365                           |

Note: Values shown above represent typical line-to-line or line-to-ground characteristics based on the ratings of the original MOVs. Values may differ slightly depending upon actual Manufacturer Specifications of MOVs installed in modules. Modules are manufactured utilizing UL-Listed and Recognized Components. Consult factory for CSA information.

## MOV MODULES PART NUMBER GUIDE CS8 X X X X

### HVPSI MOV MODULE

### SUPPLY VOLTAGE

- 1 – 1Ø, 1 MOV, 120V
- 2 – 1Ø, 1 MOV, 240V
- 3 – 3Ø, 3 MOV, 240V
- 4 – 3Ø, 3 MOV, 480V
- 5 – 3Ø, 3 MOV, 575V
- 6 – 3Ø, 4 MOV, 240V
- 7 – 3Ø, 4 MOV, 480V
- 8 – 3Ø, 4 MOV, 575V

### MOV DIA.

- 1 – 20mm
- 2 – 14mm
- 3 – 10mm
- 4 – 7mm

### TERMINATION

- 1 – 12" WIRE LEAD
- 2 – THREADED POST
- 3 – 1/4" MALE QUICK DISC.
- 4 – SCREW TERMINAL

### CASE

- A – SINGLE FOOT
- B – DOUBLE FOOT
- C – CENTER MOUNT
- D – DEEP CASE
- E – SMALL DOUBLE FOOT

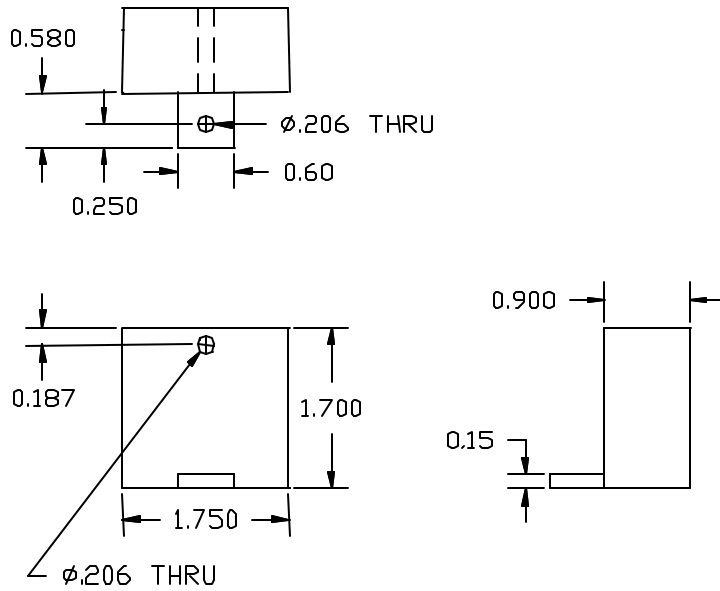
Rev 1, May 2002



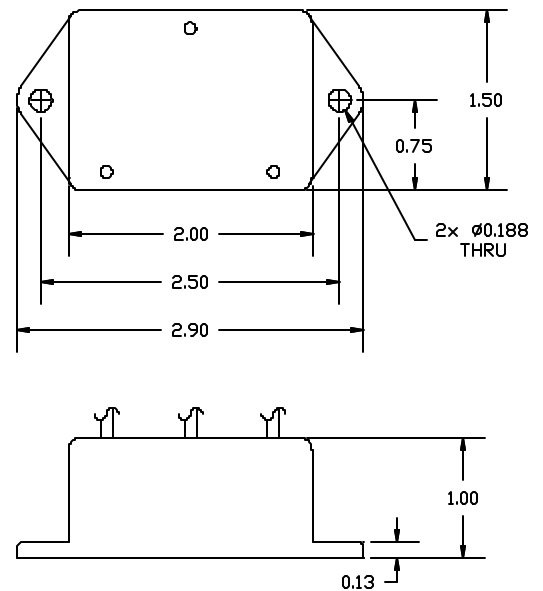


### MECHANICAL DIMENSIONS

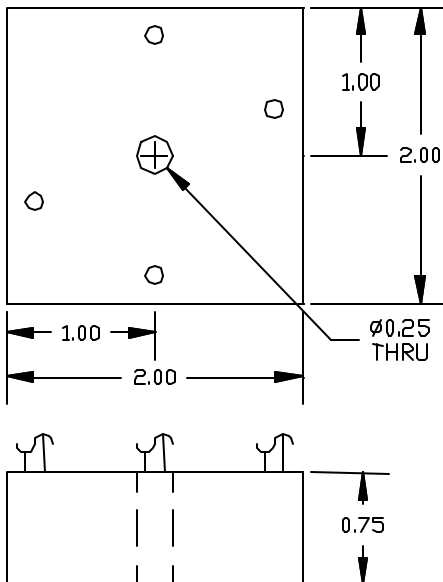
#### A Package



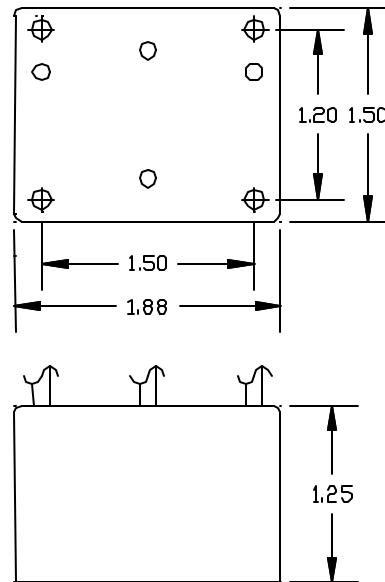
#### B Package



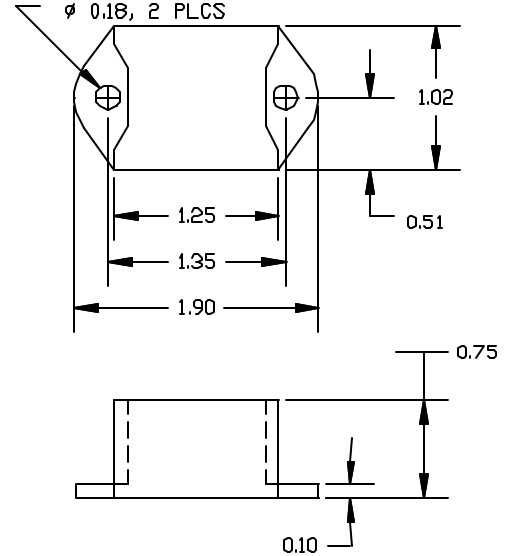
#### C Package



#### D Package



#### E Package



Dimensions in Inches.  
Standard line wires are 12" 18 AWG white wires.  
Standard ground wire is 12" 18 AWG green wire.