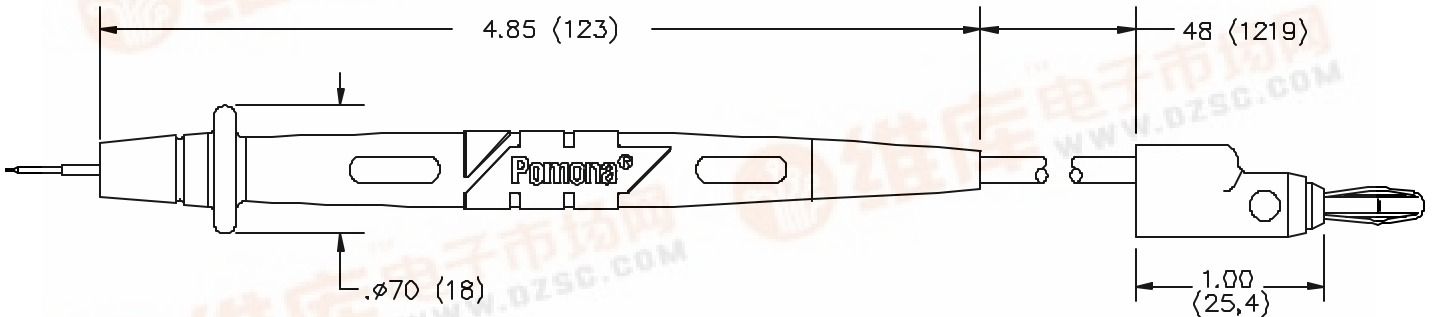


Model 6472 SMD Microtip Test Probe Set



FEATURES:

- Replaceable tip probe with spring loaded pogo pin triple point SMD Microtip included. (Other tips are available, see model 6475.)
- Designed for use with older DMM's with non-sheathed banana jacks
- Also works with all newer DMM's that have the safety sheathed banana jacks
- Thermoplastic elastomer outer coat provides comfortable grip and flexible strain relief
- Probe and banana plug are molded directly onto the wire for robust pull strength
- Wire is a high strand count silicone wire for extreme flexibility and high temperature resistance

MATERIALS:

Probe:

Outer Insulation: Santoprene® rubber, color: gray

Inner Insulation: polypropylene, color: one black, one red

Tip: Beryllium Copper, Gold plated

Wire: 18 AWG

Banana Plug: Brass, Nickel-plated

Spring – Beryllium Copper, Nickel-plated

Plug Insulation: polypropylene, color: one black, one red

RATINGS:

Operating Voltage: Hand-held testing: 30VAC/60VDC

Hands free testing in controlled voltage environments: 1000 VRMS Max.

Current: 5 Amperes

ORDERING INFORMATION: Model 6472

Includes a set of one black and one red test lead with two replaceable tips

All dimensions are in inches.

All specifications are to the latest revisions. Specifications are subject to change without notice.

Registered trademarks are the property of their respective companies. Made in USA

Sales: 800-490-2361 Fax: 888-403-3360
Technical Assistance: 800-241-2060

PomonaACCESS 90810 (800) 444-6785 or (425) 446-6010
More drawings available at www.pomonaelectronics.com