

LED PANEL MOUNT INDICATORS

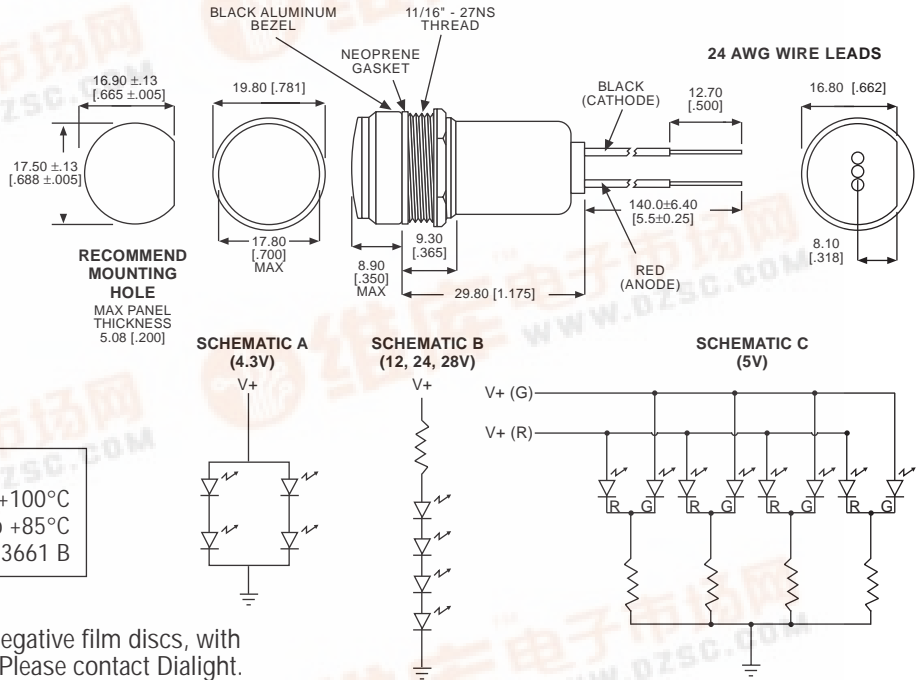
557 SERIES FOR 11/16" MOUNTING HOLE • WATERTIGHT

| PART NO. | COLOR | V _F | mA | fL* |
|---------------|-------|----------------|----|---------|
| 557-1101-203 | R | 4.3** | 40 | 100 |
| 557-1201-203 | G | 4.3** | 50 | 150 |
| 557-1301-203 | Y | 4.3** | 50 | 100 |
| 557-1501-203 | R | 4.3** | 40 | 1000 |
| 557-1402-203† | R/G | 5 | 80 | 200/100 |
| 557-1503-203 | R | 12 | 20 | 1000 |
| 557-1103-203 | R | 12 | 20 | 100 |
| 557-1203-203 | G | 12 | 25 | 150 |
| 557-1303-203 | Y | 12 | 25 | 100 |
| 557-1505-203 | R | 24 | 20 | 1000 |
| 557-1104-203 | R | 28 | 20 | 100 |
| 557-1204-203 | G | 28 | 25 | 150 |
| 557-1304-203 | Y | 28 | 25 | 100 |

ENVIRONMENTAL LIMITS:
 Storage Temp: -30°C to +100°C
 Operating Temp: -25°C to +85°C
 Seal Specifications: MIL -L 3661 B

Housing Material: White Polycarbonate

Legend Film Discs Available - Positive or negative film discs, with words, numerals or letters may be ordered. Please contact Dialight.



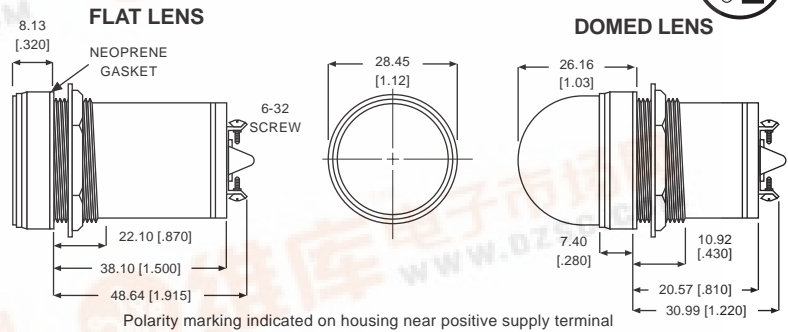
556 SERIES FOR 1" MOUNTING HOLE • WATERTIGHT

FLAT LENS

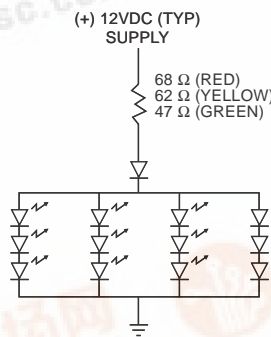
| PART NO. | COLOR | V _F | mA | fL* |
|--------------|-------|----------------|-----|------|
| 556-1103-304 | R | 12DC | 81 | 1500 |
| 556-1203-304 | G | 12DC | 81 | 760 |
| 556-1303-304 | Y | 12DC | 81 | 1800 |
| 556-1104-304 | R | 24DC | 40 | 1500 |
| 556-1204-304 | G | 24DC | 40 | 760 |
| 556-1304-304 | Y | 24DC | 40 | 1800 |
| 556-1105-304 | R | 125AC | 8.5 | 900 |
| 556-1205-304 | G | 125AC | 8.5 | 300 |
| 556-1305-304 | Y | 125AC | 8.5 | 1000 |

DOMED LENS

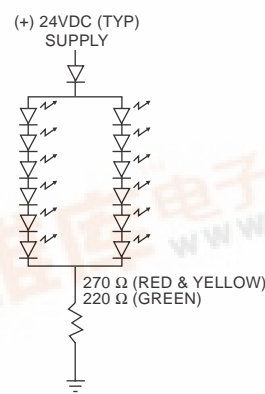
| PART NO. | COLOR | V _F | mA | fL* |
|--------------|-------|----------------|-----|-----|
| 556-3103-304 | R | 12DC | 81 | 100 |
| 556-3203-304 | G | 12DC | 81 | 55 |
| 556-3303-304 | Y | 12DC | 81 | 75 |
| 556-3104-304 | R | 24DC | 40 | 100 |
| 556-3204-304 | G | 24DC | 40 | 55 |
| 556-3304-304 | Y | 24DC | 40 | 75 |
| 556-3105-304 | R | 125AC | 8.5 | 50 |
| 556-3205-304 | G | 125AC | 8.5 | 30 |
| 556-3305-304 | Y | 125AC | 8.5 | 40 |
| 556-3107-304 | R | 125DC | 10 | 50 |
| 556-3207-304 | G | 125DC | 10 | 30 |
| 556-3307-304 | Y | 125DC | 10 | 40 |



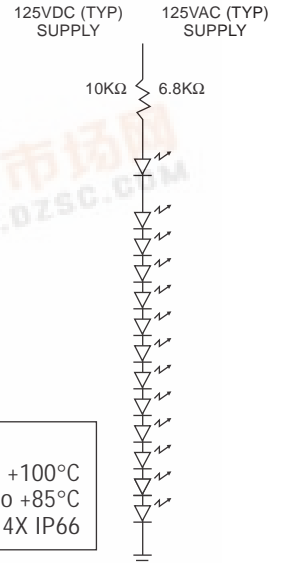
SCHEMATIC A (12V)



SCHEMATIC B (24V)



SCHEMATIC C (125V)



Housing Material: Nickel Plated Brass

* Intensity measured in foot Lamberts (1fL = 3.4 cd/m²)

** Requires external resistor

† Bi color has 3 leads: Red for Red Anode, Green for Green Anode, Black for Common Cathode

Dimensions in mm [inches]

ENVIRONMENTAL LIMITS:
 Storage Temp: -30°C to +100°C
 Operating Temp: -25°C to +85°C
 Seal Specifications: NEMA 4X IP66

Dialight