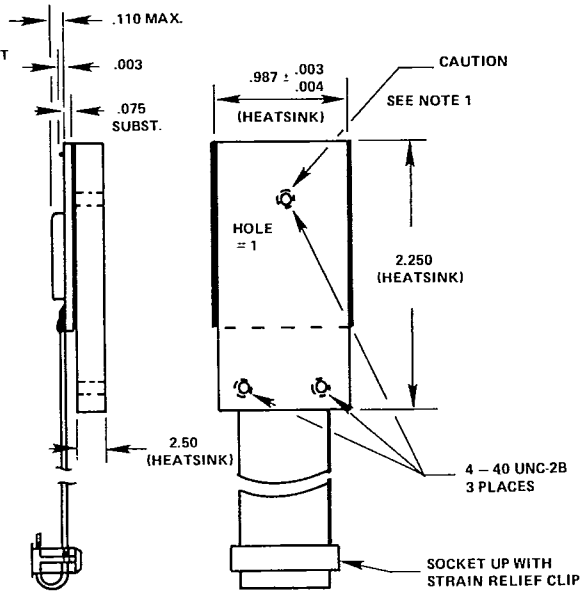
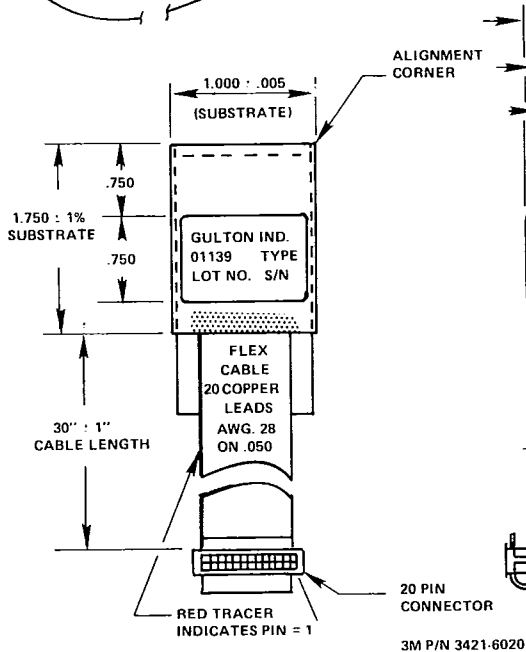
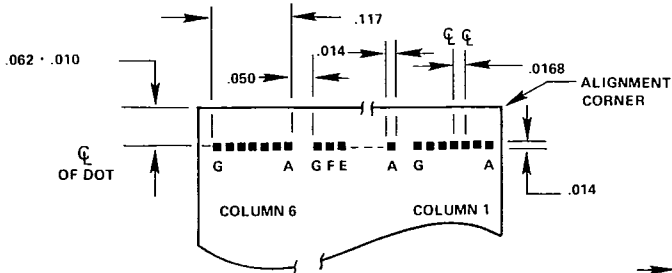




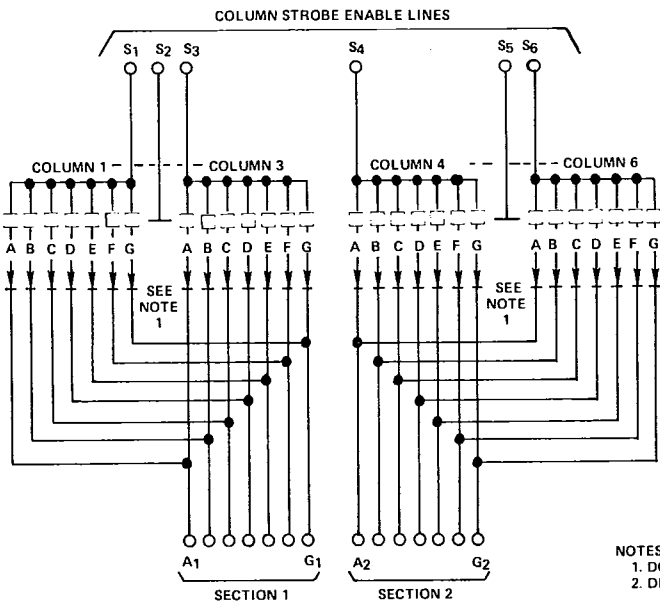
01139 TEXTHEAD, 6 X 7 DOTS

The 01139 is arranged in six groups or columns of seven dots on 0.0168" centers with 0.050" spacing between columns. A separate set of seven dot driver lines is provided for each three columns. This allows printout of an entire dotrow in three multiplex strobes to minimize print cycle time. Print speeds of one inch/sec has been reliably obtained with this unit in an EKG annotation application printing 5 x 7 matrix characters.



NOTES: UNLESS OTHERWISE SPECIFIED.

- 1 - PENETRATION OF SCREW INTO HOLE =1 SHOULD NOT EXCEED .220" DEEPER PENETRATION WILL CRACK SUBSTRATE.
- 2 - SUBSTRATE TO BE FLUSH WITH OR OVERHANG THE HEATSINK ON BOTH SIDES.
- 3 - NOMINAL RESISTANCE 300 OHMS.
- 4 - PRINTING VOLTAGE 24 ± 2 VOLTS @ 5MS ON 90 C-PAPER. POWER/DOT 1.75 WATTS/DOT.
- 5 - UNIT WILL BE GROUPED INTO EIGHT (8) VOLTAGE TYPES AS SHOWN BELOW.
- 6 - BRANDING AS SHOWN ON DRAWING.



PIN	FUNCTION
1	D2
2	S6
3	B2
4	F2
5	S6
6	E2
7	C2
8	G2
9	S4
10	A2
11	E1
12	S3
13	C1
14	F1
15	D1
16	S2
17	B1
18	G1
19	S1
20	A1

TEST PRINTING VOLTAGE:

Vp = 24 ± 2 VOLTS @ 5 MS, 90 C PAPER.

TYPE	A1	A2	B1	B2	C1	C2	D1	D2
VOLTAGE	22.5	23	23.5	24	24.5	25	25.5	26

- NOTES:**
1. DOT AND COLUMN DESIGNATION SHOWN AS PRINTED.
 2. DIODES SHOWN AS FORWARD DIRECTION.