

147 917 | 918 | 919

[查询"15001/2"供应商](#)

10 Amp Printed Circuit Board Terminal Block

Style: Standard screw terminal at side. Top entry 1 mm pc pins at 5 mm pitch. 24 pole.

Cat. No.	Pack
4424/5-1	25

Optional: As above but fitted with wire protectors. 24 pole.

4424/5-1/152	25
--------------	----

Style: Standard screw terminal at side. Top cable entry 1 mm pc pins at 10 mm pitch. 12 pole.

4412/10-1	25
-----------	----

Optional: As above but fitted with wire protectors. 12 pole.

4412/10-1/152	25
---------------	----

Style: standard screw terminal on top. 1 mm pc pins at 5 mm pitch. 24 pole.

4424/5	25
--------	----

Optional: As above but with wire protectors in screw terminals. 24 pole.

4424/5/152	25
------------	----

Style: Standard screw terminal on top. 1 mm pc pins at 10 mm pitch. 12 pole.

4412/10	25
---------	----

Optional: As above but fitted with wire protectors. 12 pole.

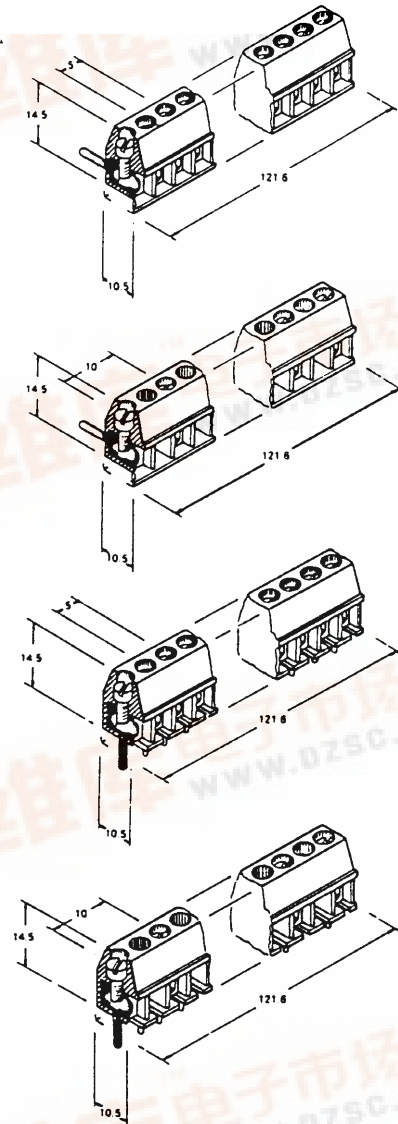
4412/10/152	25
-------------	----

Terminal housing: Polyester Black

Flammability rating: UL94-V0

Continuous working temp: 130°C

Wire protector: 152 independently retained.



The blocks above are available with marking and also in configurations of 1-24 poles

Style: Available with 1 mm pc pins at 5 mm pitch up to 24 poles, specify 15000. As above but with 10 mm pitch up to 12 poles, specify 15001.

Cat. No.	Pack
15000	100
15001	100

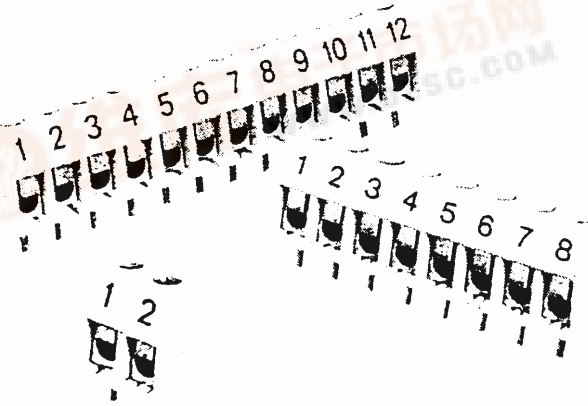
10 Amp Printed Circuit Board Terminal Block

Wire protectors are included as standard.

Terminal housing: Noryl SEI - Grey

Flammability rating: UL94-V1

Continuous working temp: 120°C



All dimensions given in mm

