

查询"2N2849"供应商

# SOLITRON DEVICES PRODUCT SPECIFICATION

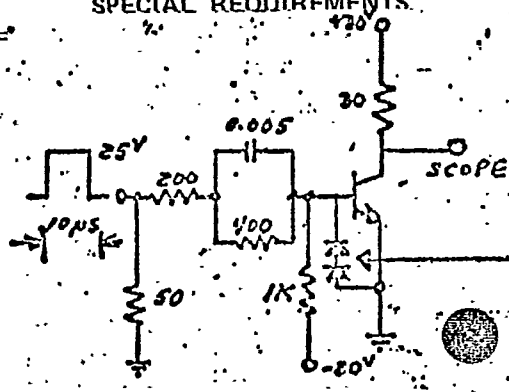
CUSTOMER <b>GENERAL PURPOSE</b>		TYPE NO. <b>2N2849</b>					
CITY		Si	X	Ge	NPN	X	PNP
CUST. DWG <b>JEDEC 4651</b>		REV.		CLASS <b>C<sub>1</sub></b>		TO-5	
DEVICE MARKING		STANDARD <input type="checkbox"/>					
(a) <b>S</b>							
(b) <b>2N2849-1</b>							
(c) <b>DATE CODE</b>							

## GROUP A AND / OR PERFORMANCE CHARACTERISTICS

NO.	SYMBOL	CONDITIONS	MIN.	MAX.	UNITS
1	$I_{CES}$	$V_{CE} = 80V$		100	mA
2	$T_{CES}$	$V_{CE} = 80V$ $T = 150^{\circ}C$		50	$\mu A$
3	$V_{EBO}$	$I_E = 10 \mu A$	5.0		V
4	$V_{CES}$	$I_C = 10 \mu A$	100		V
5	$h_{FE}$	$V_{CE} = 1.0V$ $I_C = 1.0A$	100	300	
6	$h_{FE}$	$V_{CE} = 1.0V$ $I_C = 50 mA$	50		
7	$V_{CE}(S)$	$I_C = 1.0A$ $I_B = 20 mA$		0.4	V
8	$V_{BE}(S)$	$I_C = 1.0A$ $I_B = 20 mA$		1.2	V
9	$C_{ob}$	$V_{CB} = 10V$ $f = 1.0 MHz$		125	PF
10	$h_{fe}$	$V_{CE} = 5.0V$ $I_C = 200 mA$ $f = 20 MHz$	1.5		
11	$t_d$	SEE FIGURE BELOW		50	nsec
12	$t_r$			125	nsec
13	$t_s$			1.5	$\mu sec$
14	$t_f$			175	nsec
15					
16					
17					
18					
19					
20					

### SPECIAL REQUIREMENTS

CONVERSION 84SP



$I_C = 1A$   
 $V_{BE(O)} = -1V$   
 $V_{CC} = 30V$

IN118A, IN118A IN SERIES

$I_{b1}$  and  $I_{b2}$  are as defined by circuit conditions specified

SOLITRON REVISION										APPROVED	
-------------------	--	--	--	--	--	--	--	--	--	----------	--