

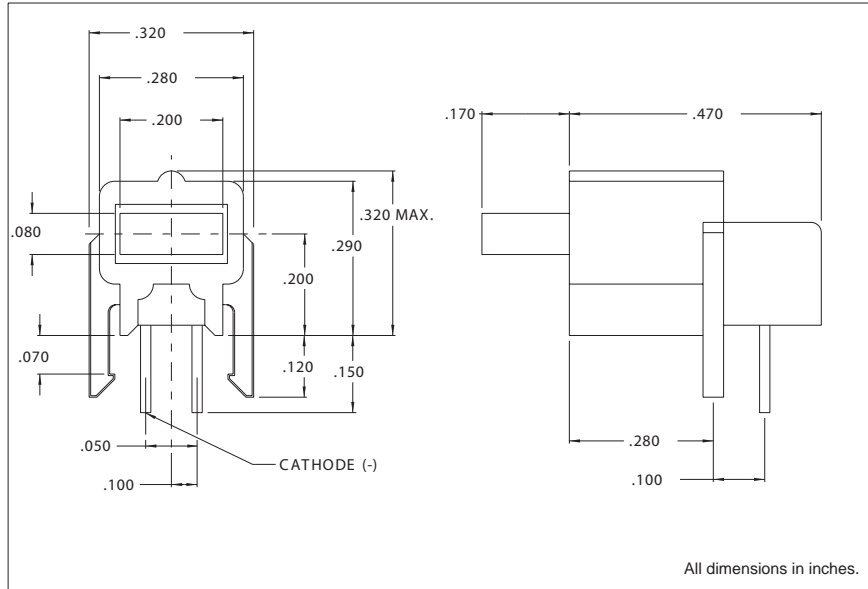
147 Central Avenue  
 Hackensack, New Jersey 07601  
 Tel: 201-489-8989 • Fax: 201-489-6911



**CHICAGO MINIATURE LAMP, INC.**  
 WHERE INNOVATION COMES TO LIGHT

## 5635 Series 2 X 5 Rectangular Right Angle LED Assembly

### DESCRIPTION AND FEATURES



#### Features

- Right angle block mounting design assures height and side-by-side spacing alignment.
- Large rectangular 2mm x 5mm flat LED emits even light distribution.
- 4mcd typical High Brite light output-ideal for back lighting legends.
- Unique "Harpoon Pins" secure block to board while soldering.
- Standoffs prevent flux entrapment.

Housing: Black Thermoplastic Polyester  
 UL94V-0

Mounting hole pattern on page 1-X7.

### ELECTRO-OPTICAL CHARACTERISTICS AND RATINGS

Part Number	Emitted Color	Typical Intensity (mcd)	Rated Current (mA)	Continuous Forward Current Max. (mA)	Forward Voltage		Reverse Breakdown Voltage Min. (V)	Peak Wavelength (nm)
					Typ. (V)	Max. (V)		
5635D1	Red	4	20	35	2.0	3.0	5	635
5635D5	Green	4	20	35	2.2	3.0	5	562
5635D7	Yellow	4	20	35	2.1	3.0	5	585