

## 3-W Mono Class-D Audio Amplifier with Fast Gain Ramp SmartGain™ AGC/DRC

Check for Samples: [TPA2028D1](#)

### FEATURES

- **Fast AGC Start-up Time: 5 ms**
- **Pin-out Compatible with TPA2018D1**
- **Filter-Free Class-D Architecture**
- **3 W Into 4 Ω at 5 V (10% THD+N)**
- **880 mW Into 8 Ω at 3.6 V (10% THD+N)**
- **Power Supply Range: 2.5 V to 5.5 V**
- **Flexible Operation With/Without I<sup>2</sup>C™**
- **Programmable DRC/AGC Parameters**
- **Digital I<sup>2</sup>C™ Volume Control**
- **Selectable Gain from –28 dB to 30 dB in 1-dB Steps (when compression is used)**
- **Selectable Attack, Release and Hold Times**
- **4 Selectable Compression Ratios**
- **Low Supply Current: 1.8 mA**
- **Low Shutdown Current: 0.2 μA**
- **High PSRR: 80 dB**
- **AGC Enable/Disable Function**
- **Limiter Enable/Disable Function**
- **Short-Circuit and Thermal Protection**
- **Space-Saving Package**
  - 1,63 mm × 1,63 mm Nano-Free™ WCSP (YZF)

### APPLICATIONS

- **Wireless or Cellular Handsets and PDAs**
- **Portable Navigation Devices**
- **Portable DVD Player**
- **Notebook PCs**
- **Portable Radio**
- **Portable Games**
- **Educational Toys**
- **USB Speakers**

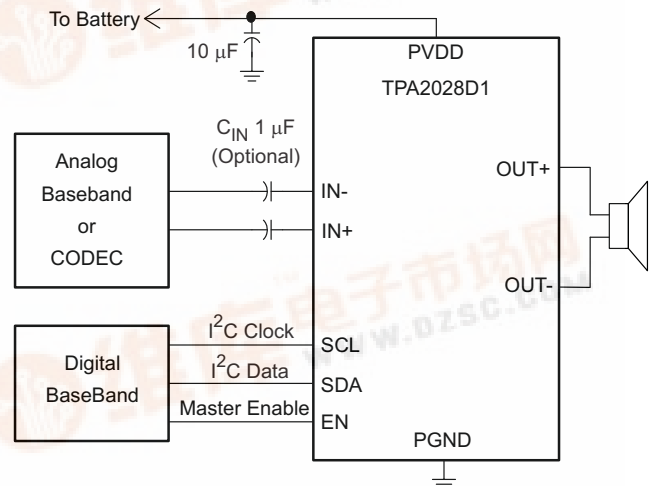
### DESCRIPTION

The TPA2028D1 is a mono, filter-free Class-D audio power amplifier with volume control, dynamic range compression (DRC) and automatic gain control (AGC). It is available in a 1,63 mm x 1,63 mm wafer chip-scale package (WCSP).

The DRC/AGC function in the TPA2028D1 is programmable via a digital I<sup>2</sup>C interface. The DRC/AGC function can be configured to automatically prevent distortion of the audio signal and enhance quiet passages that are normally not heard. The DRC/AGC can also be configured to protect the speaker from damage at high power levels and compress the dynamic range of music to fit within the dynamic range of the speaker. The gain can be selected from –28 dB to +30 dB in 1-dB steps. The TPA2028D1 is capable of driving 3 W at 5 V into 4 Ω load or 880 mW at 3.6 V into 8 Ω load. The device features hardware and software shutdown controls and also provides thermal and short-circuit protection. The TPA2028D1 has faster AGC gain ramp during start-up than TPA2018D1.

In addition to these features, a fast start-up time and small package size make the TPA2028D1 an ideal choice for cellular handsets, PDAs and other portable applications.

### SIMPLIFIED APPLICATION DIAGRAM



Please be aware that an important notice concerning availability, standard warranty, and use in critical applications of Texas Instruments semiconductor products and disclaimers thereto appears at the end of this data sheet.

Fast Gain Ramp SmartGain, Nano-Free are trademarks of Texas Instruments.  
 I<sup>2</sup>C is a trademark of NXP Semiconductors.

PRODUCTION DATA information is current as of publication date. Products conform to specifications per the terms of the Texas Instruments standard warranty. Production processing does not necessarily include testing of all parameters.

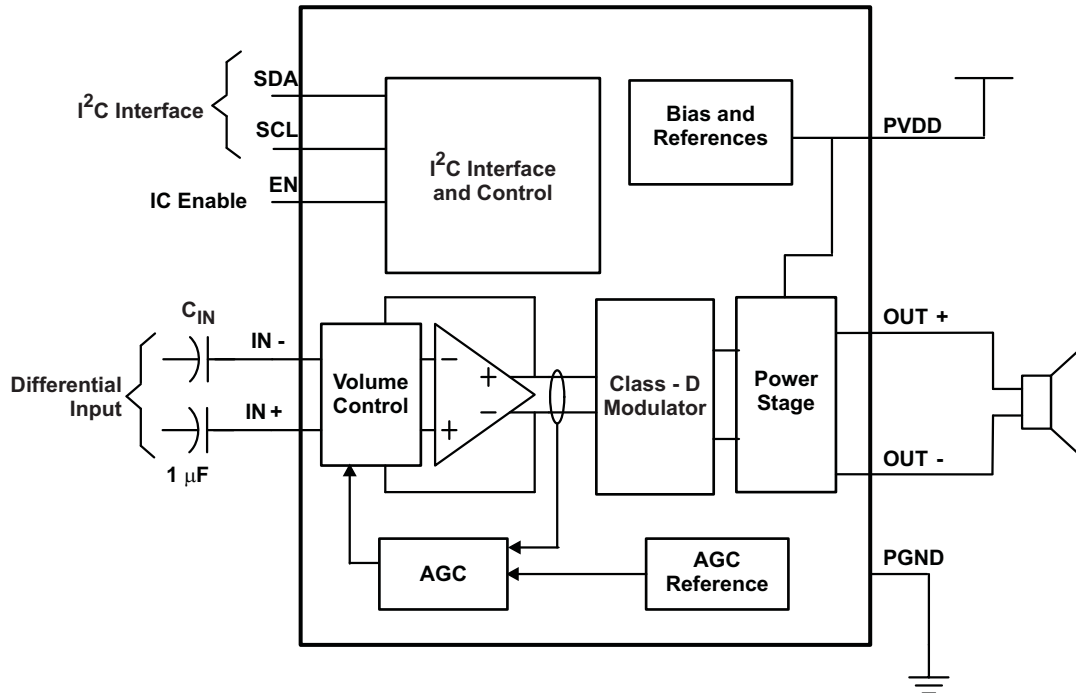
Copyright © 2010, Texas Instruments Incorporated





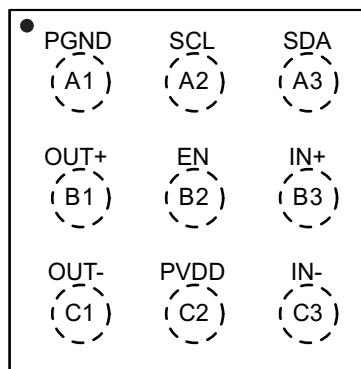
These devices have limited built-in ESD protection. The leads should be shorted together or the device placed in conductive foam during storage or handling to prevent electrostatic damage to the MOS gates.

**FUNCTIONAL BLOCK DIAGRAM**



**DEVICE PINOUT**

YZF (WCSP) PACKAGE  
(TOP VIEW)



**TERMINAL FUNCTIONS**

| TERMINAL |      | I/O/P | DESCRIPTION                      |
|----------|------|-------|----------------------------------|
| NAME     | WCSP |       |                                  |
| EN       | B2   | I     | Enable terminal (active high)    |
| IN+      | B3   | I     | Positive audio input             |
| IN-      | C3   | I     | Negative audio input             |
| OUT+     | B1   | O     | Positive differential output     |
| OUT-     | C1   | O     | Negative differential output     |
| PGND     | A1   | P     | Power ground                     |
| PVDD     | C2   | P     | Power supply                     |
| SCL      | A2   | I     | I <sup>2</sup> C clock interface |
| SDA      | A3   | I/O   | I <sup>2</sup> C data interface  |

**ABSOLUTE MAXIMUM RATINGS<sup>(1)</sup>**

over operating free-air temperature range (unless otherwise noted).

|                   |  |                            | VALUE / UNIT                     |
|-------------------|--|----------------------------|----------------------------------|
| V <sub>DD</sub>   | Supply voltage                               | PVDD                       | -0.3 V to 6.0 V                  |
|                   | Input voltage                                | EN, IN+, IN-               | -0.3 V to V <sub>DD</sub> +0.3 V |
|                   |  | SDA, SCL                   | -0.3 V to 6.0 V                  |
|                   | Continuous total power dissipation           |                            | See Dissipation Ratings Table    |
| T <sub>A</sub>    | Operating free-air temperature range         |                            | -40°C to +85°C                   |
| T <sub>J</sub>    | Operating junction temperature range         |                            | -40°C to +150°C                  |
| T <sub>stg</sub>  | Storage temperature range                    |                            | -65°C to +150°C                  |
| ESD               | Electro-Static Discharge Tolerance, all pins | Human Body Model (HBM)     | 2 kV                             |
|                   |  | Charged Device Model (CDM) | 500 V                            |
| R <sub>LOAD</sub> | Minimum load resistance                      |                            | 3.2 Ω                            |

- (1) Stresses beyond those listed under "absolute maximum ratings" may cause permanent damage to the device. These are stress ratings only, and functional operation of the device at these or any other conditions beyond those indicated under "recommended operating conditions" is not implied. Exposure to absolute-maximum-rated conditions for extended periods may affect device reliability.

**DISSIPATION RATINGS TABLE<sup>(1)</sup>**

| PACKAGE     | T <sub>A</sub> ≤ +25°C | DERATING FACTOR | T <sub>A</sub> = +70°C | T <sub>A</sub> = +85°C |
|-------------|------------------------|-----------------|------------------------|------------------------|
| 9-ball WCSP | 1.19 W                 | 9.52 mW/°C      | 0.76 W                 | 0.62 W                 |

- (1) Dissipation ratings are for a 2-side, 2-plane PCB.

**AVAILABLE OPTIONS<sup>(1)</sup>**

| T <sub>A</sub> | PACKAGED DEVICES <sup>(2)</sup> | PART NUMBER   | SYMBOL |
|----------------|---------------------------------|---------------|--------|
| –40°C to 85°C  | 9-ball, WCSP                    | TPA2028D1YZFR | NSU    |
|                |                                 | TPA2028D1YZFT |        |

- (1) For the most current package and ordering information, see the Package Option Addendum at the end of this document, or see the TI Web site at [www.ti.com](http://www.ti.com)
- (2) The YZF packages are only available taped and reeled. The suffix R indicates a reel of 3000; the suffix T indicates a reel of 250.

**RECOMMENDED OPERATING CONDITIONS**

|                 |                                | MIN          | MAX | UNIT |    |
|-----------------|--------------------------------|--------------|-----|------|----|
| V <sub>DD</sub> | Supply voltage                 | PVDD         | 2.5 | 5.5  | V  |
| V <sub>IH</sub> | High-level input voltage       | EN, SDA, SCL | 1.3 |      | V  |
| V <sub>IL</sub> | Low-level input voltage        | EN, SDA, SCL |     | 0.6  | V  |
| T <sub>A</sub>  | Operating free-air temperature |              | –40 | +85  | °C |

**ELECTRICAL CHARACTERISTICS**

at T<sub>A</sub> = 25°C, V<sub>DD</sub> = 3.6 V, SDZ = 1.3 V, and R<sub>L</sub> = 8 Ω + 33 μH (unless otherwise noted).

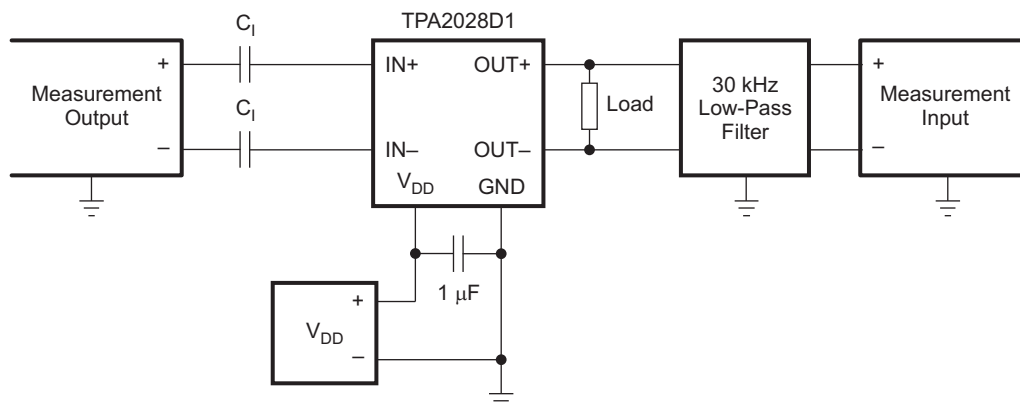
| PARAMETER          | TEST CONDITIONS                     | MIN  | TYP  | MAX | UNIT |     |
|--------------------|-------------------------------------|--|------|-----|------|-----|
| V <sub>DD</sub>    | Supply voltage range                | 2.5  | 3.6  | 5.5 | V    |     |
| I <sub>SDZ</sub>   | Shutdown quiescent current          | EN = 0.35 V, V <sub>DD</sub> = 2.5 V   | 0.1  | 1   | μA   |     |
|                    |                                     | EN = 0.35 V, V <sub>DD</sub> = 3.6 V   | 0.2  | 1   |      |     |
|                    |                                     | EN = 0.35 V, V <sub>DD</sub> = 5.5 V   | 0.3  | 1   |      |     |
| I <sub>SWS</sub>   | Software shutdown quiescent current | EN = 1.3 V, V <sub>DD</sub> = 2.5 V  | 35   | 50  | μA   |     |
|                    |                                     | EN = 1.3 V, V <sub>DD</sub> = 3.6 V  | 50   | 70  |      |     |
|                    |                                     | EN = 1.3 V, V <sub>DD</sub> = 5.5 V  | 75   | 100 |      |     |
| I <sub>DD</sub>    | Supply current                      | V <sub>DD</sub> = 2.5 V  | 1.5  | 2.5 | mA   |     |
|                    |                                     | V <sub>DD</sub> = 3.6 V  | 1.7  | 2.7 |      |     |
|                    |                                     | V <sub>DD</sub> = 5.5 V  | 2    | 3.5 |      |     |
| f <sub>SW</sub>    | Class D Switching Frequency         |  | 275  | 300 | 325  | kHz |
| I <sub>IH</sub>    | High-level input current            | V <sub>DD</sub> = 5.5 V, EN = 5.8 V  |      |     | 1    | μA  |
| I <sub>IL</sub>    | Low-level input current             | V <sub>DD</sub> = 5.5 V, EN = –0.3 V   | –1   |     |      | μA  |
| t <sub>START</sub> | Start-up time                       | 2.5 V ≤ V <sub>DD</sub> ≤ 5.5 V no pop, C <sub>IN</sub> ≤ 1 μF   |      | 5   |      | ms  |
| POR                | Power on reset ON threshold         |  | 2    | 2.3 |      | V   |
| POR                | Power on reset hysteresis           |  | 0.2  |     |      | V   |
| CMRR               | Input common mode rejection         | R <sub>L</sub> = 8 Ω, V <sub>icm</sub> = 0.5 V and V <sub>icm</sub> = V <sub>DD</sub> – 0.8 V, differential inputs shorted |      | –75 |      | dB  |
| V <sub>oo</sub>    | Output offset voltage               | V <sub>DD</sub> = 3.6 V, A <sub>V</sub> = 6 dB, R <sub>L</sub> = 8 Ω, inputs ac grounded                                   |      | 1.5 | 10   | mV  |
| Z <sub>OUT</sub>   | Output Impedance in shutdown mode   | EN = 0.35 V  |      | 2   |      | kΩ  |
|                    | Gain accuracy                       | Compression and limiter disabled, Gain = 0 to 30 dB  | –0.5 |     | 0.5  | dB  |
| PSRR               | Power supply rejection ratio        | V <sub>DD</sub> = 2.5 V to 4.7 V   |      | –80 |      | dB  |

## OPERATING CHARACTERISTICS

at  $T_A = 25^\circ\text{C}$ ,  $V_{DD} = 3.6\text{V}$ ,  $EN = 1.3\text{V}$ ,  $R_L = 8\ \Omega + 33\ \mu\text{H}$ , and  $A_V = 6\ \text{dB}$  (unless otherwise noted).

| PARAMETER  | TEST CONDITIONS  | MIN | TYP  | MAX   | UNIT          |
|--|--|-----|------|-------|---------------|
| $k_{\text{SVR}}$ power-supply ripple rejection ratio | $V_{DD} = 3.6\ \text{Vdc}$ with ac of $200\ \text{mV}_{\text{PP}}$ at $217\ \text{Hz}$   |     | -70  |       | dB            |
| THD+N Total harmonic distortion + noise              | $f_{\text{aud\_in}} = 1\ \text{kHz}$ ; $P_O = 550\ \text{mW}$ ; $V_{DD} = 3.6\ \text{V}$ |     | 0.1% |       |               |
|  | $f_{\text{aud\_in}} = 1\ \text{kHz}$ ; $P_O = 1.25\ \text{W}$ ; $V_{DD} = 5\ \text{V}$   |     | 0.1% |       |               |
|  | $f_{\text{aud\_in}} = 1\ \text{kHz}$ ; $P_O = 710\ \text{mW}$ ; $V_{DD} = 3.6\ \text{V}$ |     | 1%   |       |               |
|  | $f_{\text{aud\_in}} = 1\ \text{kHz}$ ; $P_O = 1.4\ \text{W}$ ; $V_{DD} = 5\ \text{V}$    |     | 1%   |       |               |
| $N_{\text{foNF}}$ Output integrated noise            | $A_V = 6\ \text{dB}$   |     | 42   |       | $\mu\text{V}$ |
| $N_{\text{foA}}$ Output integrated noise             | $A_V = 6\ \text{dB}$ floor, A-weighted   |     | 30   |       | $\mu\text{V}$ |
| FR Frequency response                                | $A_V = 6\ \text{dB}$   | 20  |      | 20000 | Hz            |
| $P_{\text{Omax}}$ Maximum output power               | THD+N = 10%, $V_{DD} = 5\ \text{V}$ , $R_L = 8\ \Omega$                                  |     | 1.72 |       | W             |
|  | THD+N = 10%, $V_{DD} = 3.6\ \text{V}$ , $R_L = 8\ \Omega$                                |     | 880  |       | mW            |
|  | THD+N = 1%, $V_{DD} = 5\ \text{V}$ , $R_L = 8\ \Omega$                                   |     | 1.4  |       | W             |
|  | THD+N = 1%, $V_{DD} = 3.6\ \text{V}$ , $R_L = 8\ \Omega$                                 |     | 710  |       | mW            |
|  | THD+N = 1%, $V_{DD} = 5\ \text{V}$ , $R_L = 4\ \Omega$                                   |     | 2.5  |       | W             |
|  | THD+N = 10%, $V_{DD} = 5\ \text{V}$ , $R_L = 4\ \Omega$                                  |     | 3    |       | W             |
| $\eta$ Efficiency                                    | THD+N = 1%, $V_{DD} = 3.6\ \text{V}$ , $R_L = 8\ \Omega$ , $P_O = 0.71\ \text{W}$        |     | 91%  |       |               |
|  | THD+N = 1%, $V_{DD} = 5\ \text{V}$ , $R_L = 8\ \Omega$ , $P_O = 1.4\ \text{W}$           |     | 93%  |       |               |

### TEST SET-UP FOR GRAPHS



- (1) All measurements were taken with a  $1\text{-}\mu\text{F}$   $C_1$  (unless otherwise noted.)
- (2) A  $33\text{-}\mu\text{H}$  inductor was placed in series with the load resistor to emulate a small speaker for efficiency measurements.
- (3) The  $30\text{-kHz}$  low-pass filter is required, even if the analyzer has an internal low-pass filter. An RC low-pass filter ( $1\ \text{k}\Omega$   $4.7\ \text{nF}$ ) is used on each output for the data sheet graphs.

## I<sup>2</sup>C TIMING CHARACTERISTICS

For I<sup>2</sup>C Interface Signals Over Recommended Operating Conditions (unless otherwise noted)

| PARAMETER          |  | TEST CONDITIONS | MIN | TYP | MAX | UNIT |
|--------------------|--|-----------------|-----|-----|-----|------|
| f <sub>SCL</sub>   | Frequency, SCL                                 | No wait states  |     |     | 400 | kHz  |
| t <sub>w(H)</sub>  | Pulse duration, SCL high                       |                 | 0.6 |     |     | μs   |
| t <sub>w(L)</sub>  | Pulse duration, SCL low                        |                 | 1.3 |     |     | μs   |
| t <sub>SU(1)</sub> | Setup time, SDA to SCL                         |                 | 100 |     |     | ns   |
| t <sub>h1</sub>    | Hold time, SCL to SDA                          |                 | 10  |     |     | ns   |
| t <sub>(buf)</sub> | Bus free time between stop and start condition |                 | 1.3 |     |     | μs   |
| t <sub>SU2</sub>   | Setup time, SCL to start condition             |                 | 0.6 |     |     | μs   |
| t <sub>h2</sub>    | Hold time, start condition to SCL              |                 | 0.6 |     |     | μs   |
| t <sub>SU3</sub>   | Setup time, SCL to stop condition              |                 | 0.6 |     |     | μs   |

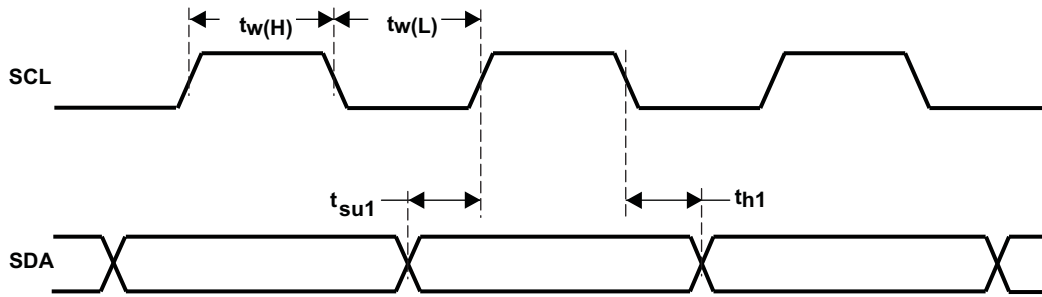


Figure 1. SCL and SDA Timing

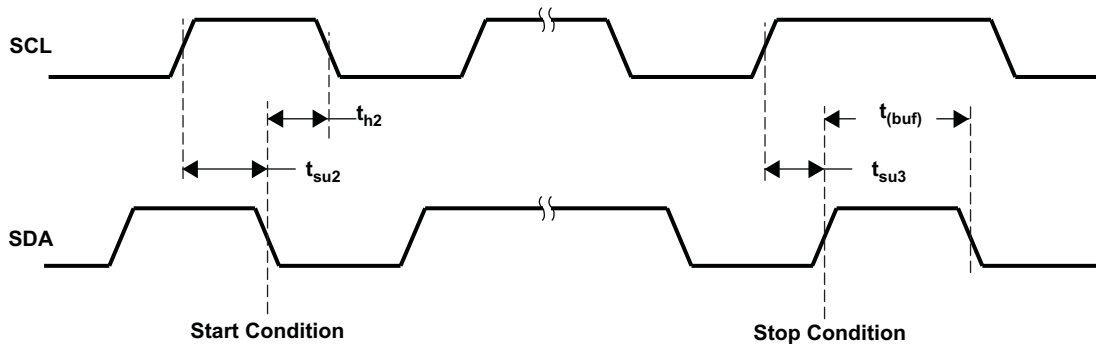


Figure 2. Start and Stop Conditions Timing

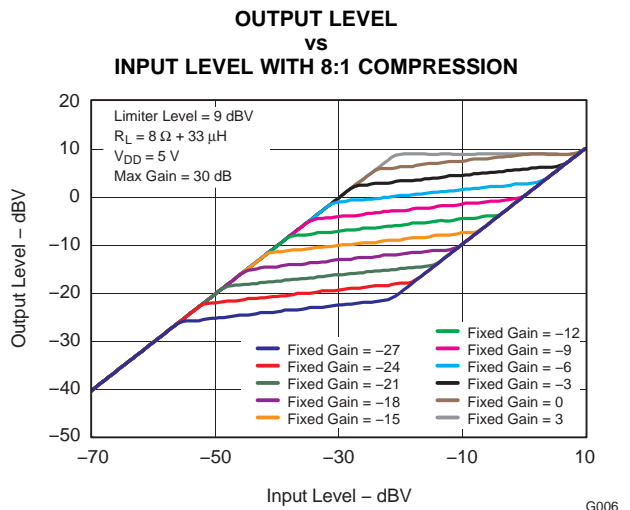
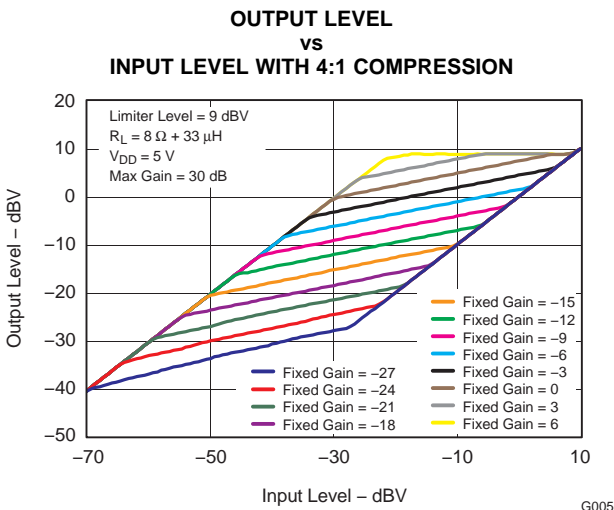
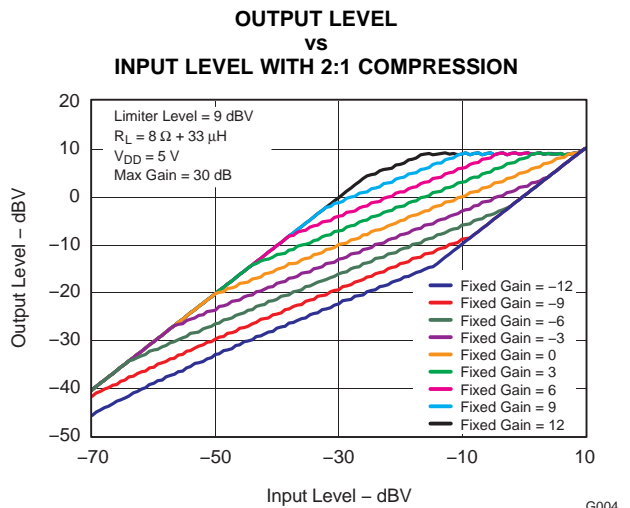
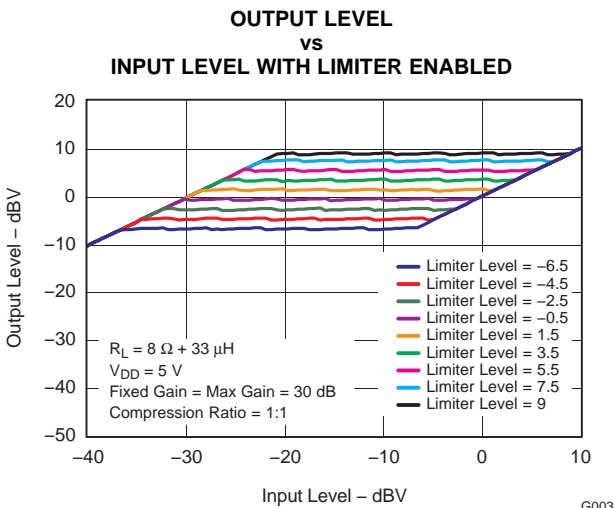
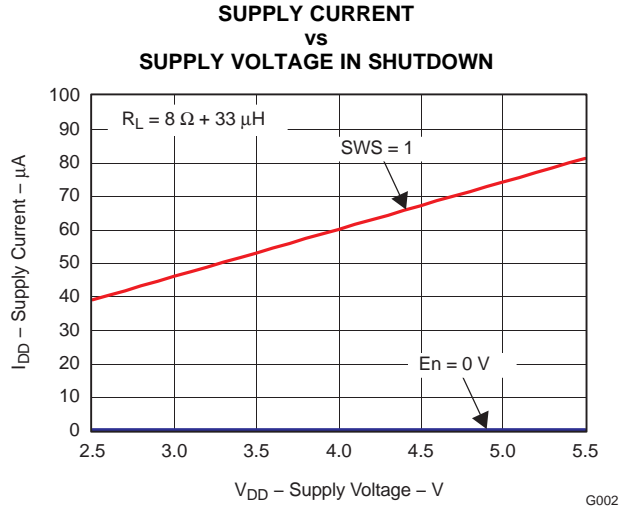
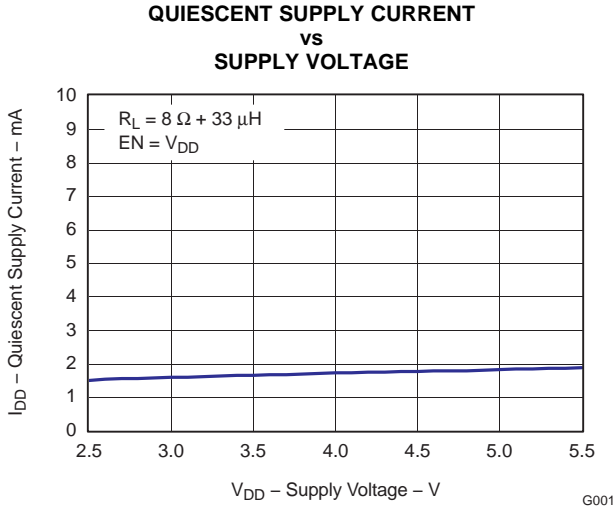
## TYPICAL CHARACTERISTICS

 with  $C_{(DECOUPLE)} = 1 \mu\text{F}$ ,  $C_f = 1 \mu\text{F}$ .

All THD + N graphs are taken with outputs out of phase (unless otherwise noted).

### Table of Graphs

|   |  | <b>FIGURE</b>             |
|---|--|---------------------------|
| Quiescent supply current                              | vs Supply voltage  | <a href="#">Figure 3</a>  |
| Supply current  | vs Supply voltage in shutdown                                | <a href="#">Figure 4</a>  |
| Output level  | vs Input level with limiter enabled                          | <a href="#">Figure 5</a>  |
|   | vs Input level with 2:1 compression                          | <a href="#">Figure 6</a>  |
|   | vs Input level with 4:1 compression                          | <a href="#">Figure 7</a>  |
|   | vs Input level with 8:1 compression                          | <a href="#">Figure 8</a>  |
|   | vs Input level   | <a href="#">Figure 9</a>  |
| Supply ripple rejection ratio                         | vs Frequency   | <a href="#">Figure 10</a> |
| Total harmonic distortion + noise                     | vs Frequency [ $R_L = 8 \Omega$ , $V_{DD} = 3.6 \text{ V}$ ] | <a href="#">Figure 11</a> |
|   | vs Frequency [ $R_L = 4 \Omega$ , $V_{DD} = 3.6 \text{ V}$ ] | <a href="#">Figure 12</a> |
|   | vs Frequency [ $R_L = 8 \Omega$ , $V_{DD} = 5 \text{ V}$ ]   | <a href="#">Figure 13</a> |
|   | vs Frequency [ $R_L = 4 \Omega$ , $V_{DD} = 5 \text{ V}$ ]   | <a href="#">Figure 14</a> |
| Total harmonic distortion + noise                     | vs Output power [ $R_L = 8 \Omega$ ]                         | <a href="#">Figure 15</a> |
|   | vs Output power [ $R_L = 4 \Omega$ ]                         | <a href="#">Figure 16</a> |
| Efficiency  | vs Output power [per channel, $R_L = 8 \Omega$ ]             | <a href="#">Figure 17</a> |
|   | vs Output power [per channel, $R_L = 4 \Omega$ ]             | <a href="#">Figure 18</a> |
| Power dissipation                                     | vs Output power [ $R_L = 8 \Omega$ ]                         | <a href="#">Figure 19</a> |
|   | vs Output power [ $R_L = 4 \Omega$ ]                         | <a href="#">Figure 20</a> |
| Supply current  | vs Output power [ $R_L = 8 \Omega$ ]                         | <a href="#">Figure 21</a> |
|   | vs Output power [ $R_L = 4 \Omega$ ]                         | <a href="#">Figure 22</a> |
| Output power  | vs Supply voltage [ $R_L = 8 \Omega$ ]                       | <a href="#">Figure 23</a> |
|   | vs Supply voltage [ $R_L = 4 \Omega$ ]                       | <a href="#">Figure 24</a> |
| Shutdown gain ramp comparison, TPA2028D1 vs TPA2018D1 |  | <a href="#">Figure 25</a> |
| Startup gain ramp comparison, TPA2028D1 vs TPA2018D1  |  | <a href="#">Figure 26</a> |
| Startup time  |  | <a href="#">Figure 27</a> |





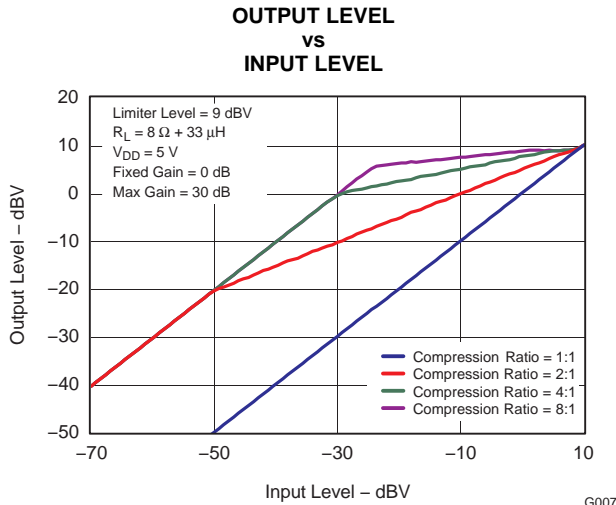


Figure 9.

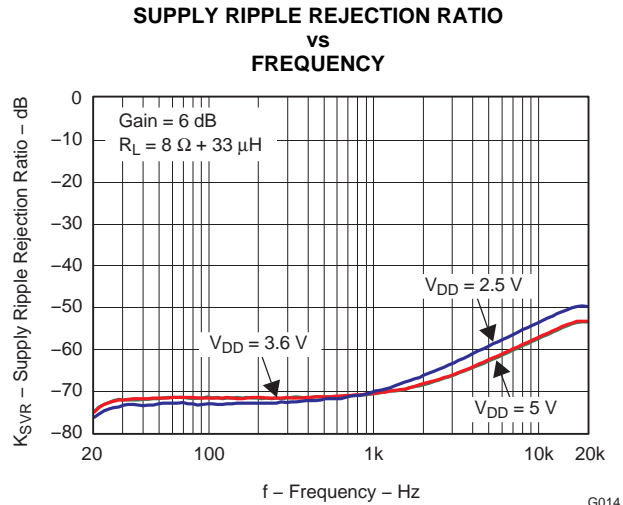


Figure 10.

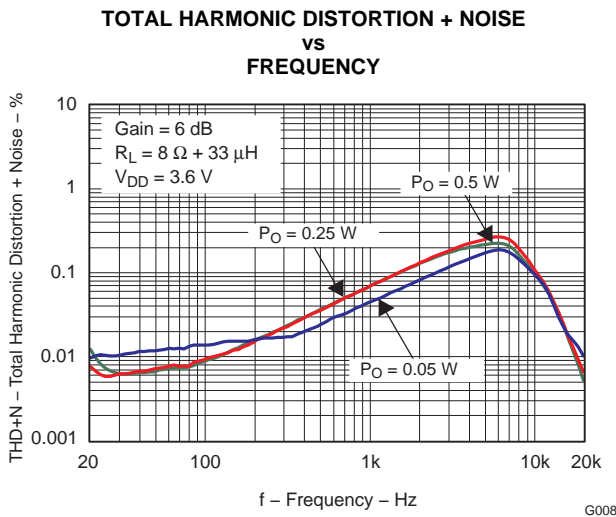


Figure 11.

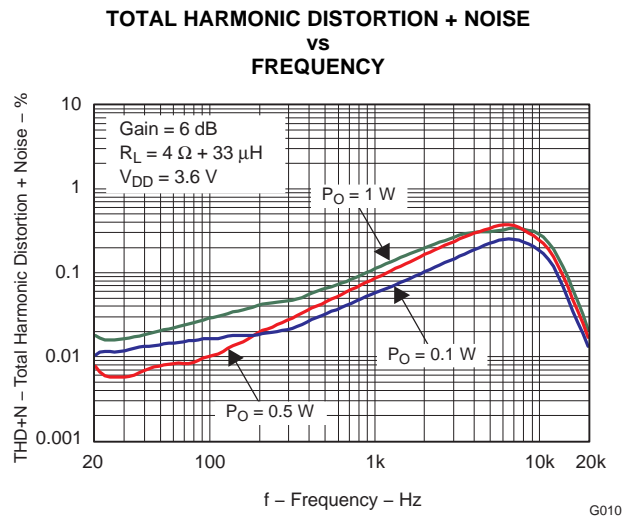


Figure 12.

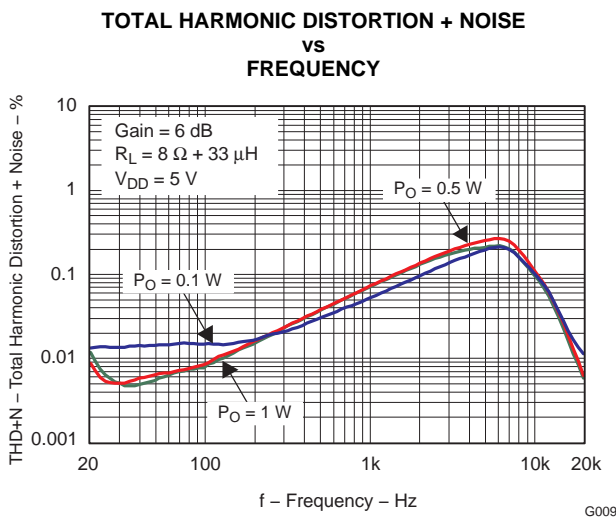


Figure 13.

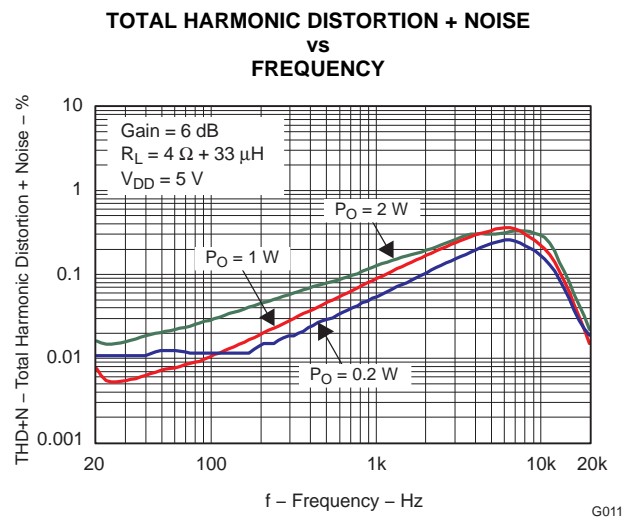


Figure 14.

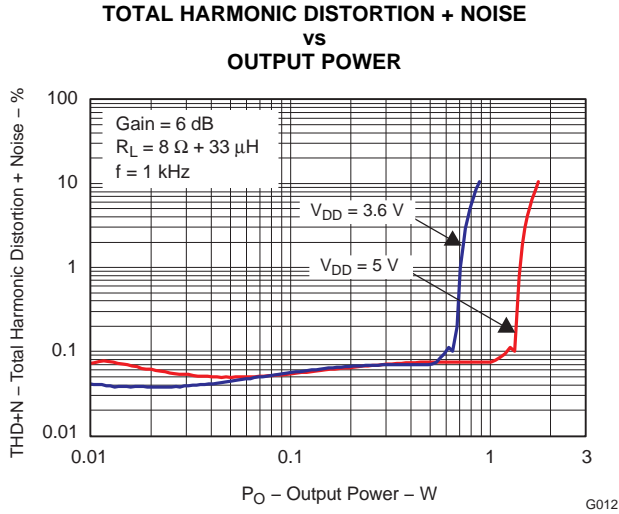


Figure 15.

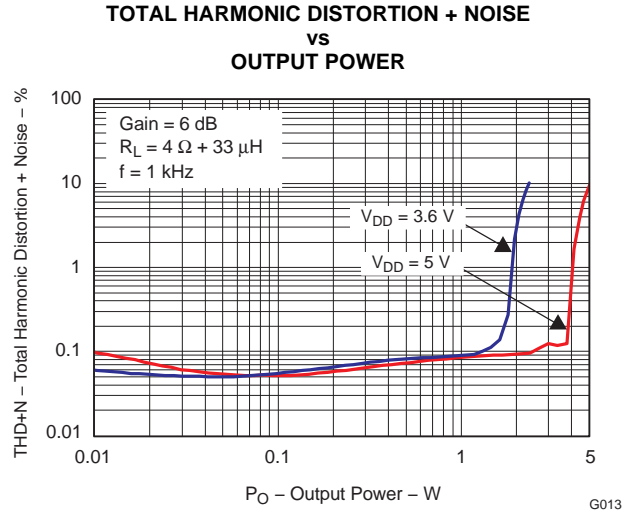


Figure 16.

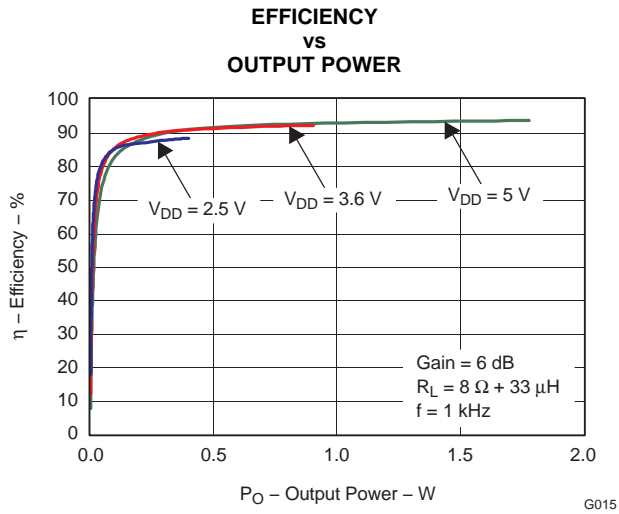


Figure 17.

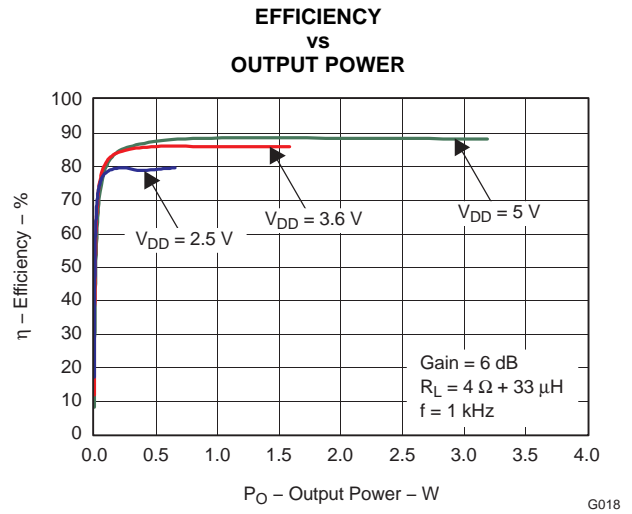


Figure 18.

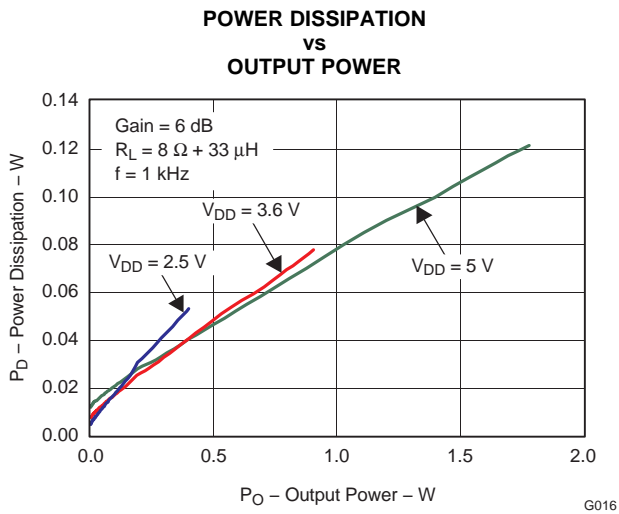


Figure 19.

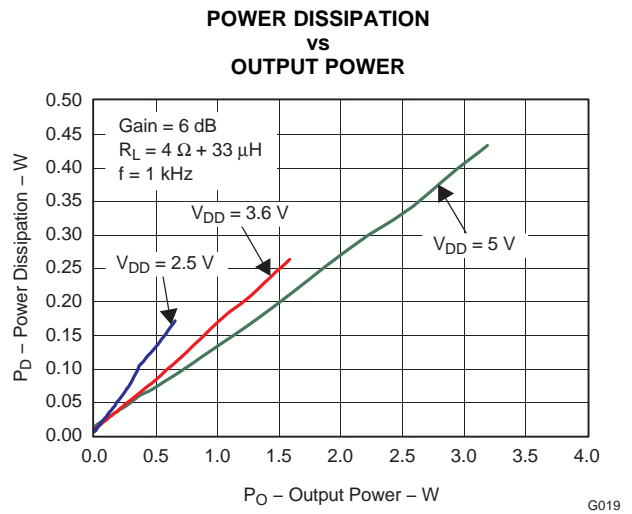


Figure 20.

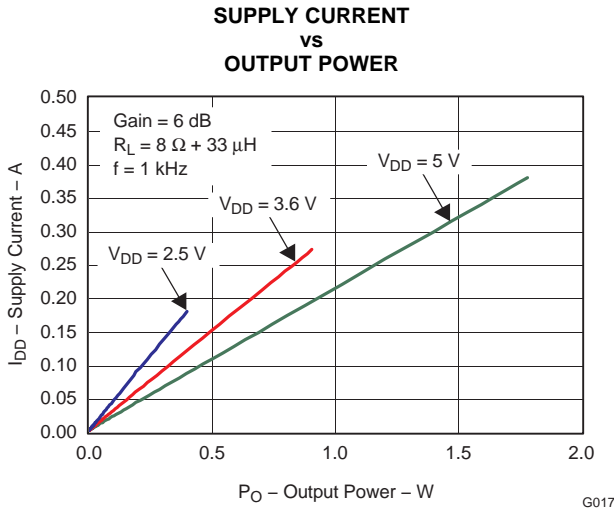


Figure 21.

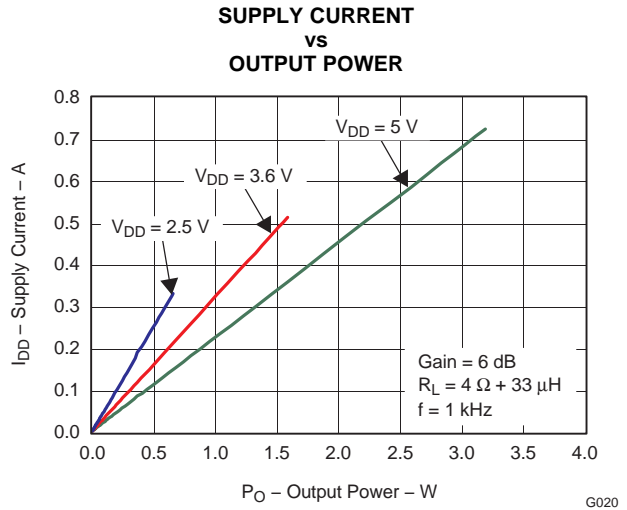


Figure 22.

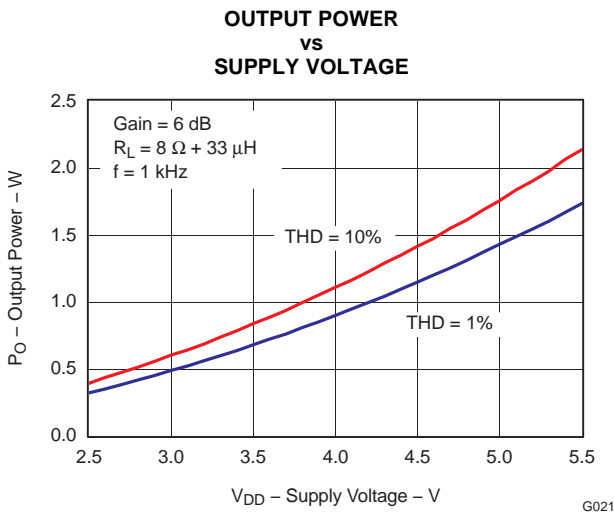


Figure 23.

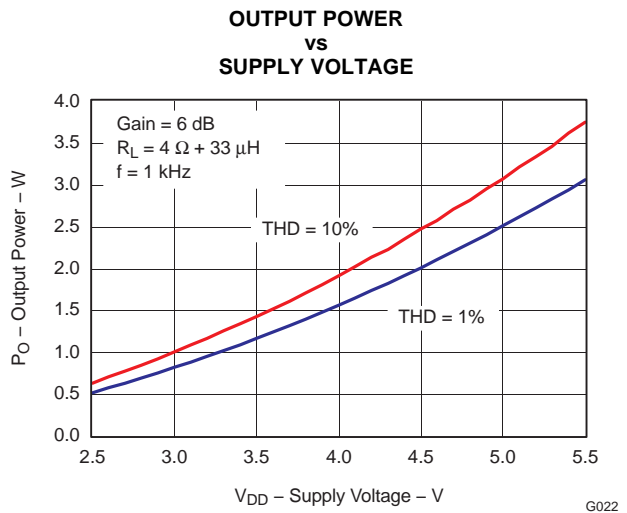


Figure 24.

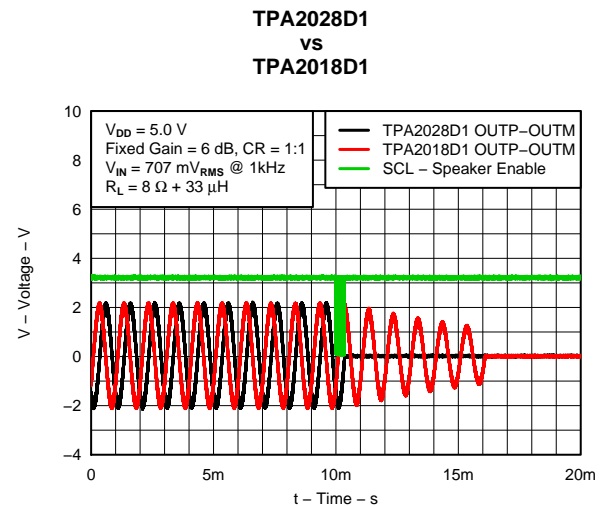


Figure 25. Shutdown Gain Ramp Comparison

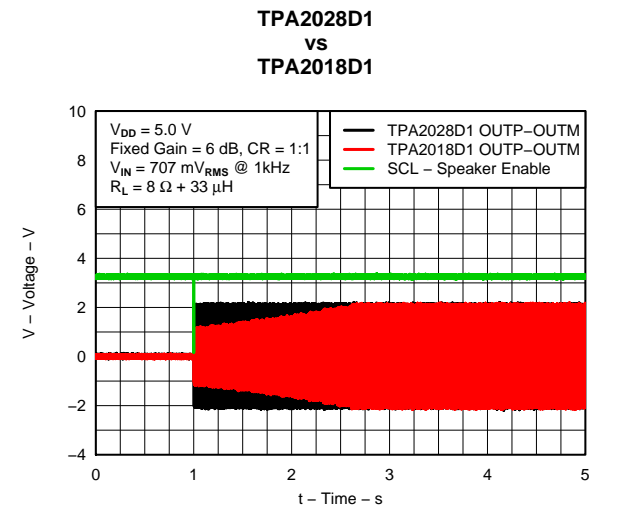
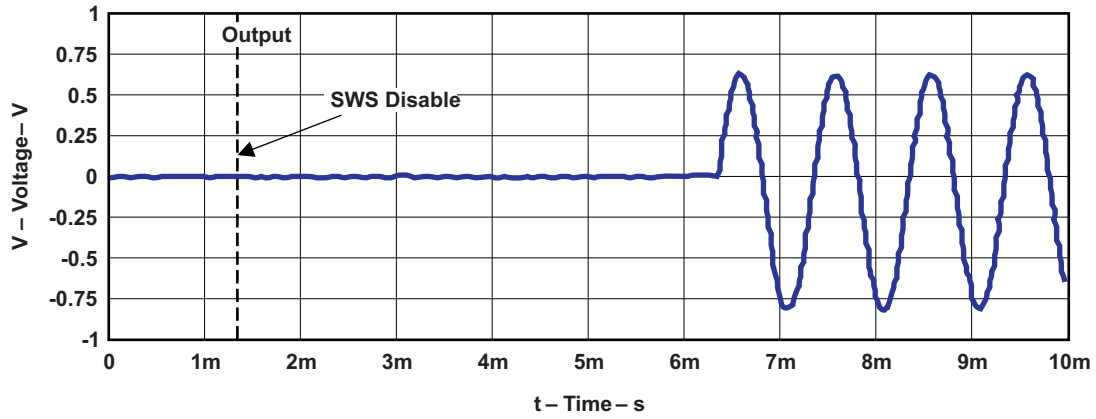


Figure 26. Startup Gain Ramp Comparison



G024

Figure 27. Start-Up Time

## APPLICATION INFORMATION

### AUTOMATIC GAIN CONTROL

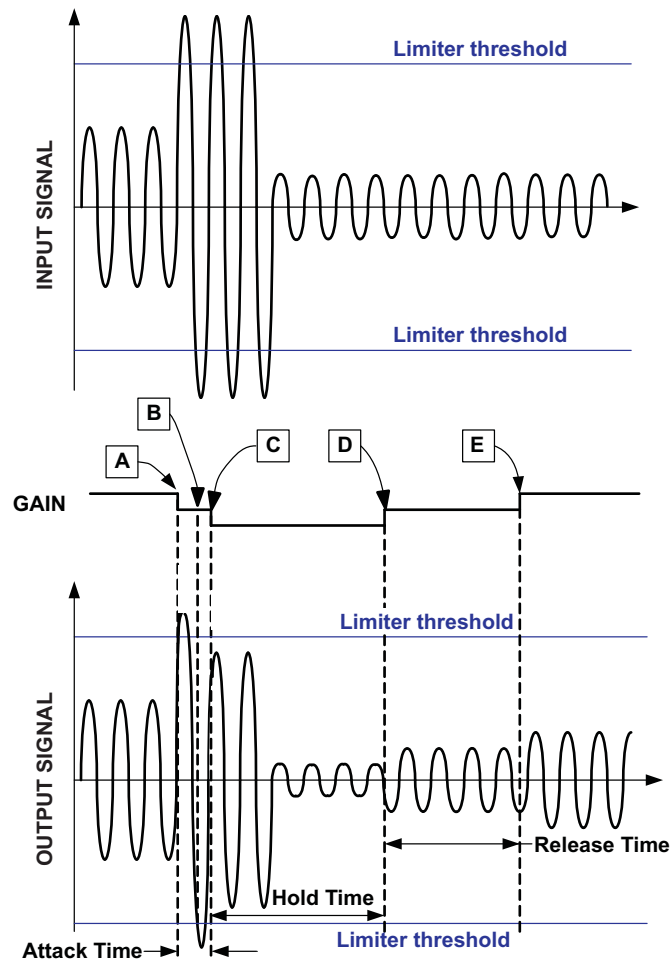
The Automatic Gain Control (AGC) feature provides continuous automatic gain adjustment to the amplifier through an internal PGA. This feature enhances the perceived audio loudness and at the same time prevents speaker damage from occurring (Limiter function).

The AGC function attempts to maintain the audio signal gain as selected by the user through the Fixed Gain, Limiter Level, and Compression Ratio variables. Other advanced features included are Maximum Gain and Noise Gate Threshold. [Table 1](#) describes the function of each variable in the AGC function.

**Table 1. TPA2028D1 AGC Variable Descriptions**

| VARIABLE             | DESCRIPTION  |
|----------------------|--|
| Maximum Gain         | The gain at the lower end of the compression region.   |
| Fixed Gain           | The normal gain of the device when the AGC is inactive.<br>The fixed gain is also the initial gain when the device comes out of shutdown mode or when the AGC is disabled. |
| Limiter Level        | The value that sets the maximum allowed output amplitude.  |
| Compression Ratio    | The relation between input and output voltage.   |
| Noise Gate Threshold | Below this value, the AGC holds the gain to prevent breathing effects.   |
| Attack Time          | The minimum time between two gain decrements.  |
| Release Time         | The minimum time between two gain increments.  |
| Hold Time            | The time it takes for the very first gain increment after the input signal amplitude decreases.  |

The AGC works by detecting the audio input envelope. The gain changes depending on the amplitude, the limiter level, the compression ratio, and the attack and release time. The gain changes constantly as the audio signal increases and/or decreases to create the compression effect. The gain step size for the AGC is 0.5 dB. If the audio signal has near-constant amplitude, the gain does not change. [Figure 28](#) shows how the AGC works.



- A. Gain decreases with no delay; attack time is reset. Release time and hold time are reset.
- B. Signal amplitude above limiter level, but gain cannot change because attack time is not over.
- C. Attack time ends; gain is allowed to decrease from this point forward by one step. Gain decreases because the amplitude remains above limiter threshold. All times are reset
- D. Gain increases after release time finishes and signal amplitude remains below desired level. All times are reset after the gain increase.
- E. Gain increases after release time is finished again because signal amplitude remains below desired level. All times are reset after the gain increase.

**Figure 28. Input and Output Audio Signal vs Time**

Since the number of gain steps is limited the compression region is limited as well. The following figure shows how the gain changes vs. the input signal amplitude in the compression region.

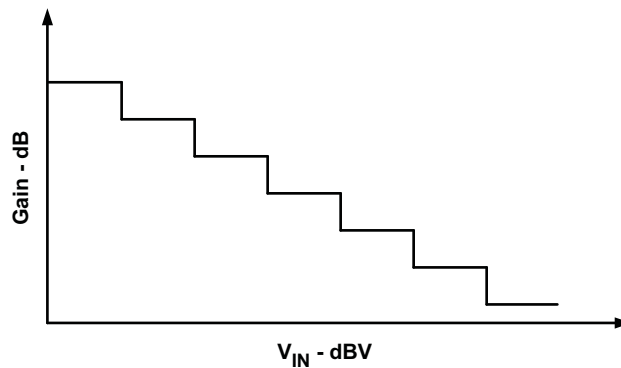


Figure 29. Input Signal Voltage vs Gain

Thus the AGC performs a mapping of the input signal vs. the output signal amplitude. This mapping can be modified according to the variables from Table 1.

The following graphs and explanations show the effect of each variable to the AGC independently and which considerations should be taken when choosing values.

**Fixed Gain:** The fixed gain determines the initial gain of the AGC. Set the gain using the following variables:

- Set the fixed gain to be equal to the gain when the AGC is disabled.
- Set the fixed gain to maximize SNR.
- Set the fixed gain such that it will not overdrive the speaker.

Figure 30 shows how the fixed gain influences the input signal amplitude vs. the output signal amplitude state diagram. The dotted 1:1 line is displayed for reference. The 1:1 line means that for a 1dB increase in the input signal, the output increases by 1dB.

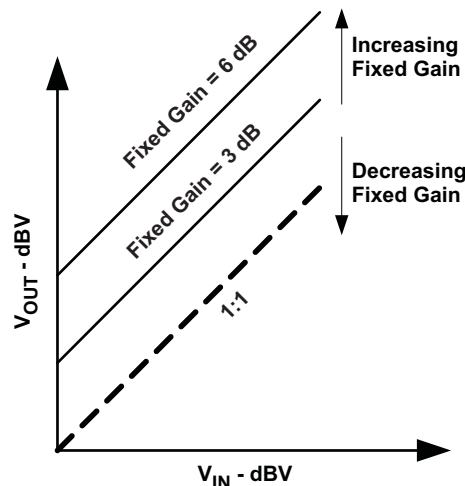


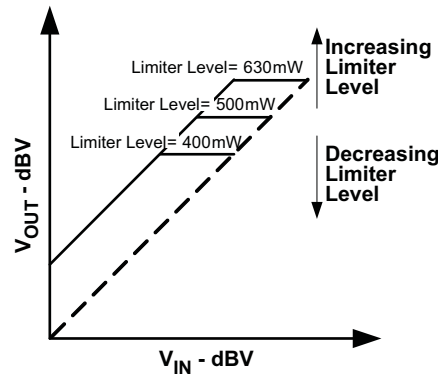
Figure 30. Output Signal vs Input Signal State Diagram Showing Different Fixed Gain Configurations

If the Compression function is enabled, the Fixed Gain is adjustable from  $-28\text{dB}$  to  $30\text{dB}$ . If the Compression function is disabled, the Fixed gain is adjustable from  $0\text{dB}$  to  $30\text{dB}$ .

**Limiter Level:** The Limiter level sets the maximum amplitude allowed at the output of the amplifier. The limiter should be set with the following constraints in mind:

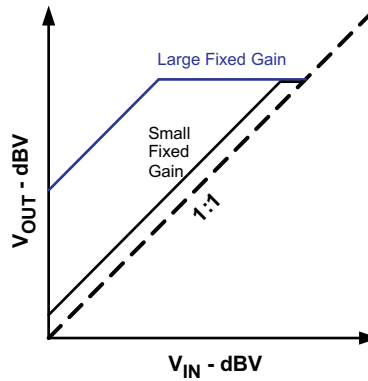
- Below or at the maximum power rating of the speaker
- Below the minimum supply voltage in order to avoid clipping

Figure 31 shows how the limiter level influences the input signal amplitude vs. the output signal amplitude state diagram.



**Figure 31. Output Signal vs Input Signal State Diagram Showing Different Limiter Level Configurations**

The limiter level and the fixed gain influence each other. If the fixed gain is set high, the AGC has a large limiter range. The fixed gain is set low, the AGC has a short limiter range. Figure 32 illustrates the two examples:



**Figure 32. Output Signal vs. Input Signal State Diagram Showing Same Limiter Level Configurations with Different Fixed Gain Configurations**

**Compression Ratio:** The compression ratio sets the relation between input and output signal outside the limiter level region. The compression ratio compresses the dynamic range of the audio. For example if the audio source has a dynamic range of 60dB and compression ratio of 2:1 is selected, then the output has a dynamic range of 30dB. Most small form factor speakers have small dynamic range. Compression ratio allows audio with large dynamic range to fit into a speaker with small dynamic range.

The compression ratio also increases the loudness of the audio without increasing the peak voltage. The higher the compression ratio, the louder the perceived audio.

For example:

- A compression ratio of 4:1 is selected (meaning that a 4dB change in the input signal results in a 1dB signal change at the output)
- A fixed gain of 0dB is selected and the maximum audio level is at 0dBV.

When the input signal decreases to -32dBV, the amplifier increases the gain to 24dB in order to achieve an output of -8dBV. The output signal amplitude equation is:

$$\text{Output signal amplitude} = \frac{\text{Input signal initial amplitude} - |\text{Current input signal amplitude}|}{\text{Compression ratio}} \tag{1}$$

In this example:

$$-8\text{dBV} = \frac{0\text{dBV} - |-32\text{dBV}|}{4} \tag{2}$$



The gain change equation is:

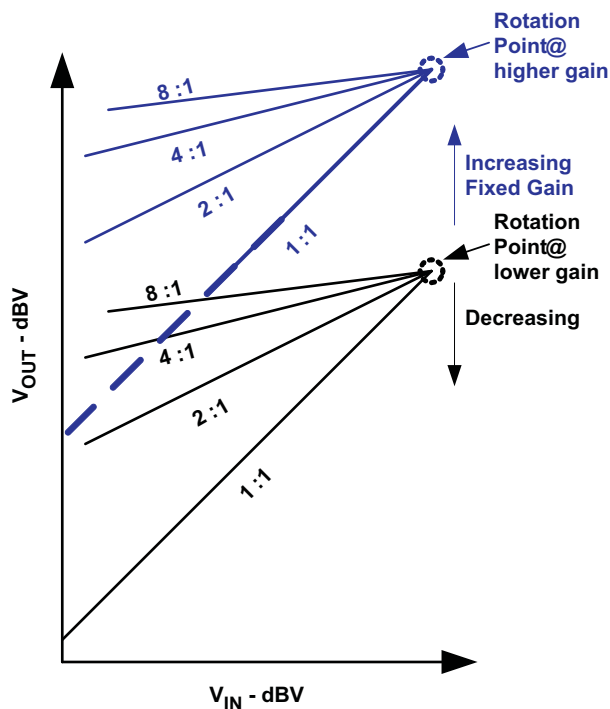
$$\text{Gain change} = \left( 1 - \frac{1}{\text{Compression ratio}} \right) \times \text{Input signal change} \quad (3)$$

$$24 \text{ dB} = \left( 1 - \frac{1}{4} \right) \times 32 \quad (4)$$

Consider the following when setting the compression ratio:

- Dynamic range of the speaker
- Fixed gain level
- Limiter Level
- Audio Loudness vs Output Dynamic Range.

Figure 33 shows different settings for dynamic range and different fixed gain selected but no limiter level.



**Figure 33. Output Signal vs Input Signal State Diagram Showing Different Compression Ratio Configurations with Different Fixed Gain Configurations**

The rotation point is always at  $V_{in} = 10\text{dBV}$ . The rotation point is not located at the intersection of the limiter region and the compression region. By changing the fixed gain the rotation point will move in the y-axis direction only, as shown in the previous graph.

**Interaction between compression ratio and limiter range:** The compression ratio can be limited by the limiter range. Note that the limiter range is selected by the limiter level and the fixed gain.

For a setting with large limiter range, the amount of gain steps in the AGC remaining to perform compression are limited. Figure 34 shows two examples, where the fixed gain was changed.

1. Small limiter range yielding a large compression region (small fixed gain).
2. Large limiter range yielding a small compression region (large fixed gain).

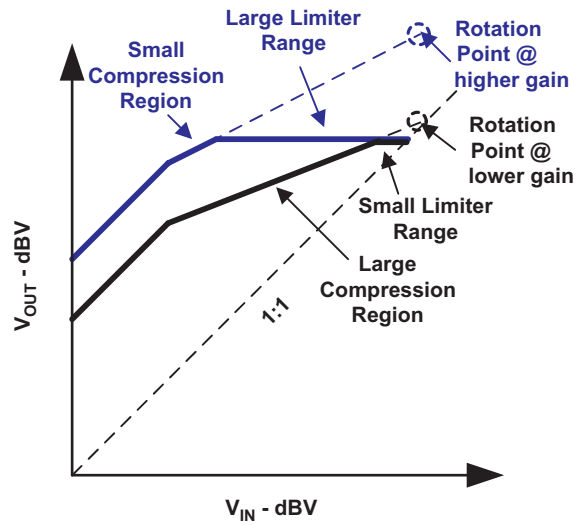


Figure 34. Output Signal vs Input Signal State Diagram Showing the Effects of the Limiter Range to the Compression Region

**Noise Gate Threshold:** The noise gate threshold prevents the AGC from changing the gain when there is no audio at the input of the amplifier. The noise gate threshold stops gain changes until the input signal is above the noise gate threshold. Select the noise gate threshold to be above the noise but below the minimum audio at the input of the amplifier signal. A filter is needed between delta-sigma CODEC/DAC and TPA2028D1 for effectiveness of the noise gate function. The filter eliminates the out-of-band noise from delta-sigma modulation and keeps the CODEC/DAC output noise lower than the noise gate threshold.

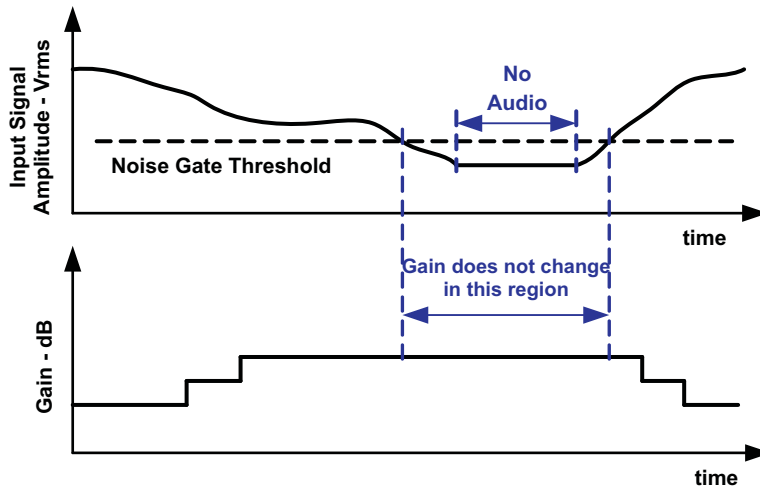
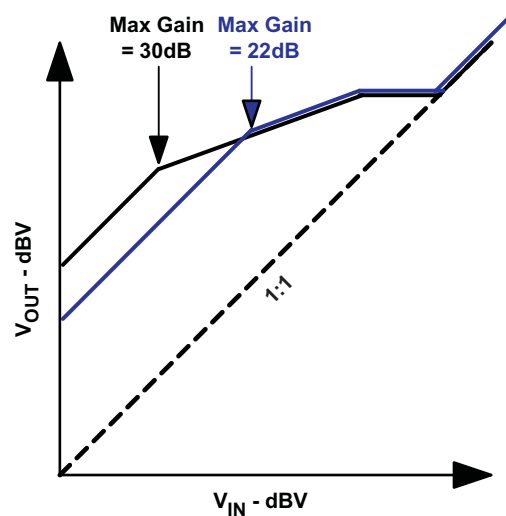


Figure 35. Time Diagram Showing the Relationship Between Input Signal Amplitude, Noise Gate Threshold and Gain Versus Time

**Maximum Gain:** This variable limits the number of gain steps in the AGC. This feature is useful in order to accomplish a more advanced output signal vs. input signal transfer characteristic.

For example, to prevent the gain from going above a certain value, reduce the maximum gain.

However, this variable will affect the limiter range and the compression region. If the maximum gain is decreased, the limiter range and/or compression region is reduced. [Figure 36](#) illustrates the effects.



**Figure 36. Output Signal vs. Input Signal State Diagram Showing Different Maximum Gains**

A particular application requiring maximum gain of 22dB, for example. Thus, set the maximum gain at 22dB. The amplifier gain will never have a gain higher than 22dB; however, this will reduce the limiter range.

**Attack, Release, and Hold time:**

- The attack time is the minimum time between gain decreases.
- The release time is the minimum time between gain increases.
- The hold time is the minimum time between a gain decrease (attack) and a gain increase (release). The hold time can be deactivated. Hold time is only valid if greater than release time.

Successive gain decreases are never faster than the attack time. Successive gain increases are never faster than the release time.

All time variables (attack, release and hold) start counting after each gain change performed by the AGC. The AGC is allowed to decrease the gain (attack) only after the attack time finishes. The AGC is allowed to increase the gain (release) only after the release time finishes counting. However, if the preceding gain change was an attack (gain increase) and the hold time is enabled and longer than the release time, then the gain is only increased after the hold time.

The hold time is only enabled after a gain decrease (attack). The hold time replaces the release time after a gain decrease (attack). If the gain needs to be increased further, then the release time is used. The release time is used instead of the hold time if the hold time is disabled.

The attack time should be at least 100 times shorter than the release and hold time. The hold time should be the same or greater than the release time. It is important to select reasonable values for those variables in order to prevent the gain from changing too often or too slow.

Figure 37 illustrates the relationship between the three time variables.

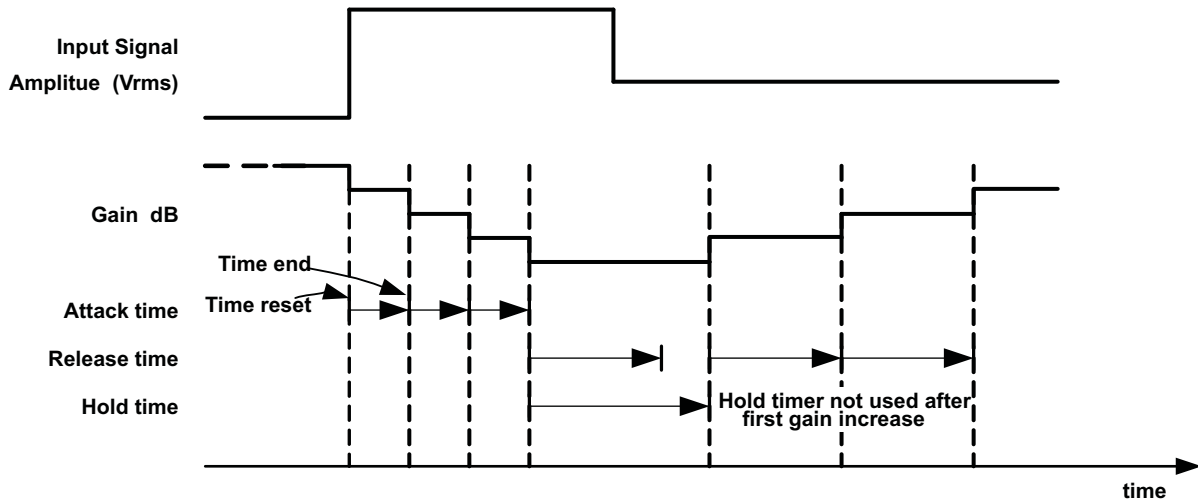


Figure 37. Time Diagram Showing the Relation Between the Attack, Release, and Hold Time vs Input Signal Amplitude and Gain

Figure 38 shows a state diagram of the input signal amplitude vs. the output signal amplitude and a summary of how the variables from table 1 described in the preceding pages affect them.

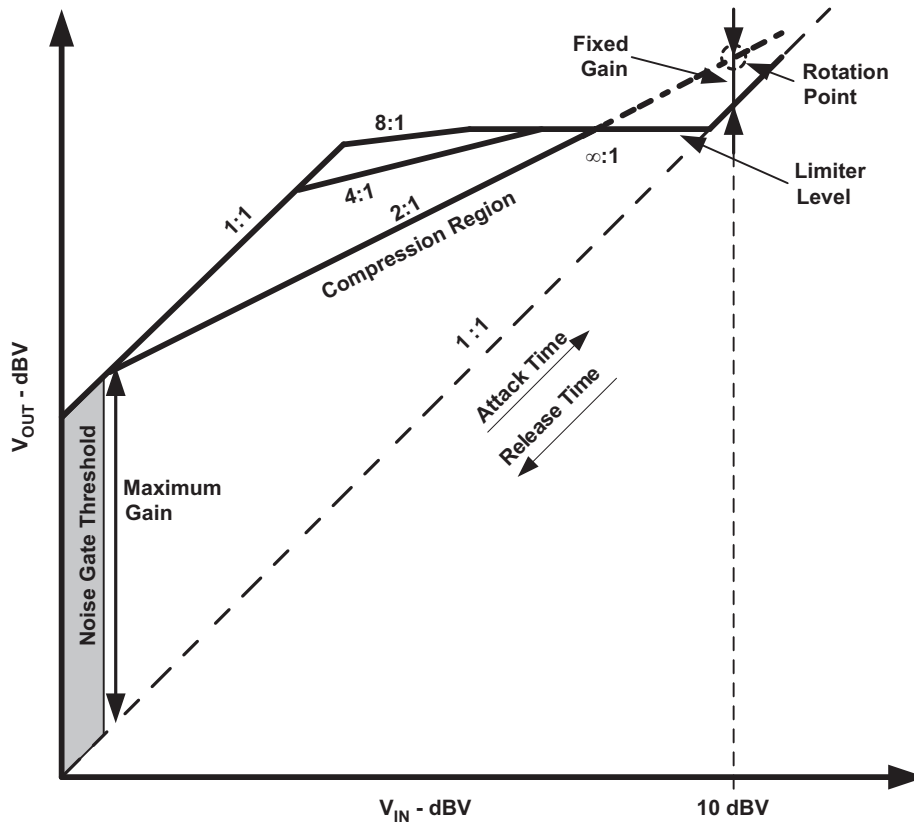


Figure 38. Output Signal vs. Input Signal State Diagram

## TPA2028D1 AGC AND START-UP OPERATION

The TPA2028D1 is controlled by the I<sup>2</sup>C interface. The correct start-up sequence is:

1. Apply the supply voltage to the PV<sub>DD</sub> pin.
2. Apply a voltage above V<sub>IH</sub> to the EN pin. The TPA2028D1 powers up the I<sup>2</sup>C interface and the control logic. I<sup>2</sup>C registers are reset to default value. By default, the device is in active mode (SWS = 0). After 5 ms the amplifier will enable the class-D output stage and become fully operational.

### CAUTION

Do not interrupt the start-up sequence after changing EN from V<sub>IL</sub> to V<sub>IH</sub>.

### CAUTION

Do not interrupt the start-up sequence after changing SWS from 1 to 0.

## AGC STARTUP CONDITION

The amplifier gain at start-up depends on the following conditions:

1. Start-up from hardware reset (EN from 0 to 1): The amplifier starts up immediately at default fixed gain. AGC starts controlling gain once the input audio signal exceeds noise gate threshold.
2. Start-up from software shutdown (SWS from 1 to 0): The amplifier starts up immediately at the latest fixed gain during software shutdown, regardless the attack/ release time. For example:
  - Audio is playing at fixed gain 6dB
  - Devices goes to software shutdown (SWS = 1)
  - Set fixed gain from 6 dB to 12 dB
  - Remove software shutdown (SWS = 0)
  - Amplifier starts up immediately at 12 dB
3. During audio playback with AGC on, gain changes according to attack/ release time. For example:
  - Audio is playing at fixed gain 6 dB and 1:1 compression ratio
  - Set fixed gain from 6 dB to 12 dB, at release time 500 ms / 6 dB
  - Amplifier will take 500 ms to ramp from 6 dB to 12 dB
4. When EN = 0 and SWS = 0, the amplifier is set at fixed gain. The amplifier starts up at fixed gain when EN transitions from 0 to 1.

The default conditions of TPA2028D1 allows audio playback without I2C control. Refer to [Table 4](#) for entire default conditions.

There are several options to disable the amplifier:

- Write EN = 0 to the register (0x01, 6). This write disables the amplifier, but leaves all other circuits operating.
- Write SWS = 1 to the register (0x01, 5). This action disables most of the amplifier functions.
- Apply V<sub>IL</sub> to EN. This action shuts down all the circuits and has very low quiescent current consumption. This action resets the register to its default values.

### CAUTION

Do not interrupt the shutdown sequence after changing EN from V<sub>IH</sub> to V<sub>IL</sub>.

Do not interrupt the shutdown sequence after changing SWS from 0 to 1.

## TPA2028D1 AGC RECOMMENDED SETTINGS

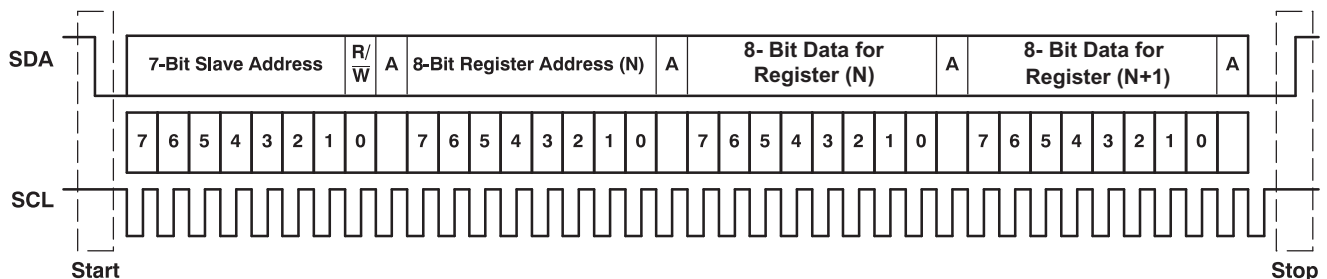
**Table 2. Recommended AGC Settings for Different Types of Audio Source ( $V_{DD} = 3.6V$ )**

| AUDIO SOURCE  | COMPRESSION RATIO | ATTACK TIME (ms/6 dB) | RELEASE TIME (ms/6 dB) | HOLD TIME (ms) | FIXED GAIN (dB) | LIMITER LEVEL (dBV) |
|---------------|-------------------|-----------------------|------------------------|----------------|-----------------|---------------------|
| Pop Music     | 4:1               | 1.28 to 3.84          | 986 to 1640            | 137            | 6               | 7.5                 |
| Classical     | 2:1               | 2.56                  | 1150                   | 137            | 6               | 8                   |
| Jazz          | 2:1               | 5.12 to 10.2          | 3288                   | —              | 6               | 8                   |
| Rap / Hip Hop | 4:1               | 1.28 to 3.84          | 1640                   | —              | 6               | 7.5                 |
| Rock          | 2:1               | 3.84                  | 4110                   | —              | 6               | 8                   |
| Voice / News  | 4:1               | 2.56                  | 1640                   | —              | 6               | 8.5                 |

## GENERAL I<sup>2</sup>C OPERATION

The I<sup>2</sup>C bus employs two signals, SDA (data) and SCL (clock), to communicate between integrated circuits in a system. The bus transfers data serially one bit at a time. The address and data 8-bit bytes are transferred most significant bit (MSB) first. In addition, each byte transferred on the bus is acknowledged by the receiving device with an *acknowledge* bit. Each transfer operation begins with the master device driving a start condition on the bus and ends with the master device driving a stop condition on the bus. The bus uses transitions on the data terminal (SDA) while the clock is at logic high to indicate start and stop conditions. A high-to-low transition on SDA indicates a start and a low-to-high transition indicates a stop. Normal data-bit transitions must occur within the low time of the clock period. Figure 39 shows a typical sequence. The master generates the 7-bit slave address and the read/write (R/W) bit to open communication with another device, and then waits for an acknowledge condition. The TPA2028D1 holds SDA low during the acknowledge clock period to indicate acknowledgment. When this acknowledgment occurs, the master transmits the next byte of the sequence. Each device is addressed by a unique 7-bit slave address plus R/W bit (1 byte). All compatible devices share the same signals via a bidirectional bus using a wired-AND connection.

An external pull-up resistor must be used for the SDA and SCL signals to set the logic high level for the bus.



**Figure 39. Typical I<sup>2</sup>C Sequence**

There is no limit on the number of bytes that can be transmitted between start and stop conditions. When the last word transfers, the master generates a stop condition to release the bus. A generic data transfer sequence is shown in Figure 39.

## SINGLE-AND MULTIPLE-BYTE TRANSFERS

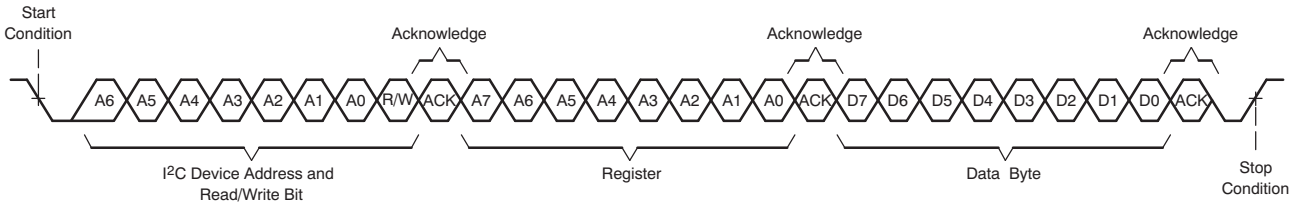
The serial control interface supports both single-byte and multi-byte read/write operations for all registers.

During multiple-byte read operations, the TPA2028D1 responds with data, one byte at a time, starting at the register assigned, as long as the master device continues to respond with acknowledgments.

The TPA2028D1 supports sequential I<sup>2</sup>C addressing. For write transactions, if a register is issued followed by data for that register and all the remaining registers that follow, a sequential I<sup>2</sup>C write transaction has occurred. For I<sup>2</sup>C sequential write transactions, the register issued then serves as the starting point, and the amount of data subsequently transmitted, before a stop or start is transmitted, determines the number of registers written.

## SINGLE-BYTE WRITE

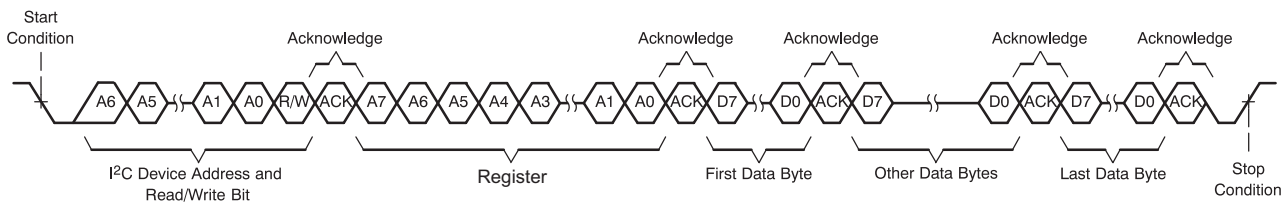
As Figure 40 shows, a single-byte data write transfer begins with the master device transmitting a start condition followed by the I<sup>2</sup>C device address and the read/write bit. The read/write bit determines the direction of the data transfer. For a write data transfer, the read/write bit must be set to '0'. After receiving the correct I<sup>2</sup>C device address and the read/write bit, the TPA2028D1 responds with an acknowledge bit. Next, the master transmits the register byte corresponding to the TPA2028D1 internal memory address being accessed. After receiving the register byte, the TPA2028D1 again responds with an acknowledge bit. Next, the master device transmits the data byte to be written to the memory address being accessed. After receiving the register byte, the TPA2028D1 again responds with an acknowledge bit. Finally, the master device transmits a stop condition to complete the single-byte data write transfer.



**Figure 40. Single-Byte Write Transfer**

## MULTIPLE-BYTE WRITE AND INCREMENTAL MULTIPLE-BYTE WRITE

A multiple-byte data write transfer is identical to a single-byte data write transfer except that multiple data bytes are transmitted by the master device to the TPA2028D1 as shown in Figure 41. After receiving each data byte, the TPA2028D1 responds with an acknowledge bit.



**Figure 41. Multiple-Byte Write Transfer**

## SINGLE-BYTE READ

As Figure 42 shows, a single-byte data read transfer begins with the master device transmitting a start condition followed by the I<sup>2</sup>C device address and the read/write bit. For the data read transfer, both a write followed by a read are actually executed. Initially, a write is executed to transfer the address byte of the internal memory address to be read. As a result, the read/write bit is set to a '0'.

After receiving the TPA2028D1 address and the read/write bit, the TPA2028D1 responds with an acknowledge bit. The master then sends the internal memory address byte, after which the TPA2028D1 issues an acknowledge bit. The master device transmits another start condition followed by the TPA2028D1 address and the read/write bit again. This time the read/write bit is set to '1', indicating a read transfer. Next, the TPA2028D1 transmits the data byte from the memory address being read. After receiving the data byte, the master device transmits a *not-acknowledge* followed by a stop condition to complete the single-byte data read transfer.

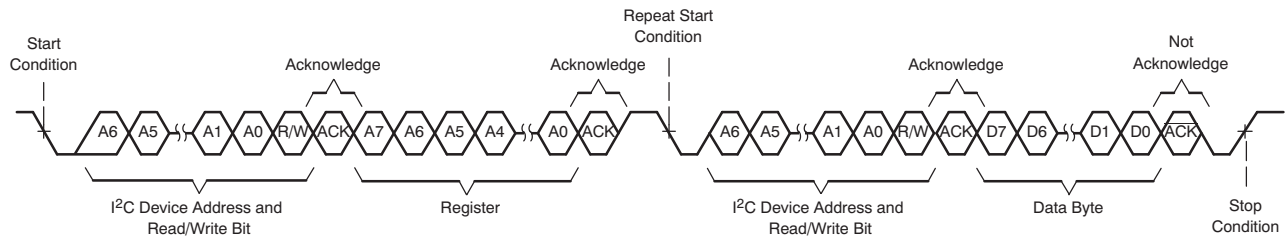


Figure 42. Single-Byte Read Transfer

**MULTIPLE-BYTE READ**

A multiple-byte data read transfer is identical to a single-byte data read transfer except that multiple data bytes are transmitted by the TPA2028D1 to the master device as shown in Figure 43. With the exception of the last data byte, the master device responds with an acknowledge bit after receiving each data byte.

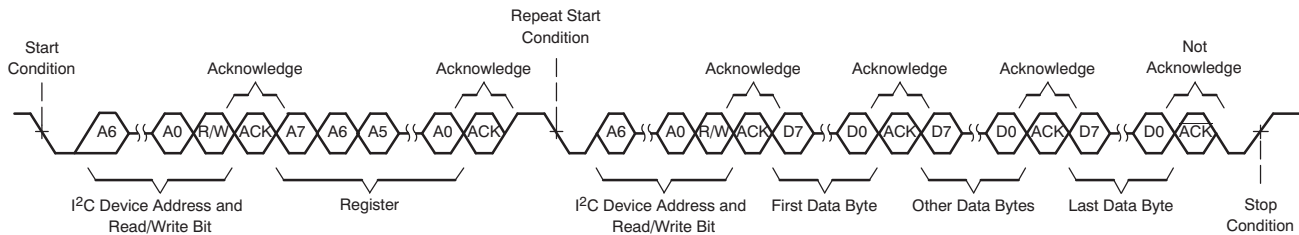


Figure 43. Multiple-Byte Read Transfer

**Register Map**

Table 3. TPA2028D1 Register Map

| Register | Bit7                   | Bit6                    | Bit5                    | Bit4                     | Bit3                     | Bit2                     | Bit1                     | Bit0                     |
|----------|------------------------|-------------------------|-------------------------|--------------------------|--------------------------|--------------------------|--------------------------|--------------------------|
| 1        | 0                      | EN                      | SWS                     | 0                        | FAULT                    | Thermal                  | 1                        | NG_EN                    |
| 2        | 0                      | 0                       | ATK_time [5]            | ATK_time [4]             | ATK_time [3]             | ATK_time [2]             | ATK_time [1]             | ATK_time [0]             |
| 3        | 0                      | 0                       | REL_time [5]            | REL_time [4]             | REL_time [3]             | REL_time [2]             | REL_time [1]             | REL_time [0]             |
| 4        | 0                      | 0                       | Hold_time [5]           | Hold_time [4]            | Hold_time [3]            | Hold_time [2]            | Hold_time [1]            | Hold_time [0]            |
| 5        | 0                      | 0                       | FixedGain [5]           | FixedGain [4]            | FixedGain [3]            | FixedGain [2]            | FixedGain [1]            | FixedGain [0]            |
| 6        | Output Limiter Disable | NoiseGate Threshold [1] | NoiseGate Threshold [2] | Output Limiter Level [4] | Output Limiter Level [3] | Output Limiter Level [2] | Output Limiter Level [1] | Output Limiter Level [0] |
| 7        | Max Gain [3]           | Max Gain [2]            | Max Gain [1]            | Max Gain [0]             | 0                        | 0                        | Compression Ratio [1]    | Compression Ratio [0]    |

The default register map values are given in Table 4.

Table 4. TPA2028D1 Default Register Values Table

| Register | 0x01 | 0x02 | 0x03 | 0x04 | 0x05 | 0x06 | 0x07 |
|----------|------|------|------|------|------|------|------|
| Default  | C3h  | 05h  | 0Bh  | 00h  | 06h  | 3Ah  | C2h  |

Any register above address 0x08 is reserved for testing and should not be written to because it may change the function of the device. If read, these bits may assume any value.

Some of the default values can be reprogrammed through the I<sup>2</sup>C interface and written to the EEPROM. This function is useful to speed up the turn-on time of the device and minimizes the number of I<sup>2</sup>C writes. If this is required, contact your local TI representative.



The TPA2028D1 I<sup>2</sup>C address is 0xB0 (binary 10110000) for writing and 0xB1 (binary 10110001) for reading. If a different I<sup>2</sup>C address is required, please contact your local TI representative. See the General I2C operation section for more detail.

The following tables show the details of the registers, the default values, and the values that can be programmed through the I<sup>2</sup>C interface.

### IC FUNCTION CONTROL (Address: 1)

| REGISTER ADDRESS                            | I <sup>2</sup> C BIT | LABEL   | DEFAULT     | DESCRIPTION  |
|---|----------------------|---------|-------------|--|
| 01 (01 <sub>H</sub> ) – IC Function Control | 7                    | Unused  | 1           |  |
|   | 6                    | EN      | 1 (enabled) | Enables amplifier  |
|   | 5                    | SWS     | 0 (enabled) | Shutdown IC when bit = 1   |
|   | 4                    | Unused  | 0           |  |
|   | 3                    | FAULT   | 0           | Changes to a 1 when there is a short at the output. Reset by writing a 0 |
|   | 2                    | Thermal | 0           | Changes to a 1 when die temperature is above 150°C                       |
|   | 1                    | Unused  | 1           |  |
|   | 0                    | NG_EN   | 1 (enabled) | Enables Noise Gate function  |

- EN:** Enable bit for the audio amplifier channel. Amplifier is active when bit is high. This function is gated by thermal and returns once the IC is below the threshold temperature
- SWS:** Software shutdown control. The device is in software shutdown when the bit is '1' (control, bias and oscillator are inactive). When the bit is '0' the control, bias and oscillator are enabled.
- Fault:** This bit indicates that an over-current event has occurred on the channel with a '1'. This bit is cleared by writing a '0' to it.
- Thermal:** This bit indicates a thermal shutdown that was initiated by the hardware with a '1'. This bit is deglitched and latched, and can be cleared by writing a '0' to it.
- NG\_EN:** Enable bit for the Noise Gate function. This function is enabled when this bit is high. This function can only be enabled when the Compression ratio is not 1:1.

### AGC ATTACK CONTROL (Address: 2)

| REGISTER ADDRESS                           | I <sup>2</sup> C BIT | LABEL    | DEFAULT                 | DESCRIPTION                                   |           |          |           |
|--|----------------------|----------|-------------------------|---|-----------|----------|-----------|
| 02 (02 <sub>H</sub> ) – AGC Attack Control | 7:6                  | Unused   | 00                      |   |           |          |           |
|  | 5:0                  | ATK_time | 000101<br>(6.4 ms/6 dB) | AGC Attack time (gain ramp down)              |           |          |           |
|  |                      |          |                         |   | Per Step  | Per 6 dB | 90% Range |
|  |                      |          |                         | 000001  | 0.1067 ms | 1.28 ms  | 5.76 ms   |
|  |                      |          |                         | 000010  | 0.2134 ms | 2.56 ms  | 11.52 ms  |
|  |                      |          |                         | 000011  | 0.3201 ms | 3.84 ms  | 17.19 ms  |
|  |                      |          |                         | 000100  | 0.4268 ms | 5.12 ms  | 23.04 ms  |
|  |                      |          |                         | (time increases by 0.1067 ms with every step) |           |          |           |
| 111111                                     | 6.722 ms             | 80.66 ms | 362.99 ms               |   |           |          |           |

- ATK\_time** These bits set the attack time for the AGC function. The attack time is the minimum time between gain decreases.

**AGC RELEASE CONTROL (Address: 3)**

| REGISTER ADDRESS                               | I <sup>2</sup> C BIT | LABEL    | DEFAULT                   | DESCRIPTION                                  |          |          |           |
|--|----------------------|----------|---------------------------|--|----------|----------|-----------|
| 03 (03 <sub>H</sub> ) –<br>AGC Release Control | 7:6                  | Unused   | 00                        |  |          |          |           |
|  | 5:0                  | REL_time | 001011<br>(1.81 sec/6 dB) | AGC Release time (gain ramp down)            |          |          |           |
|  |                      |          |                           |  | Per Step | Per 6 dB | 90% Range |
|  |                      |          |                           | 000001                                       | 0.0137 s | 0.1644 s | 0.7398 s  |
|  |                      |          |                           | 000010                                       | 0.0274 s | 0.3288 s | 1.4796 s  |
|  |                      |          |                           | 000011                                       | 0.0411 s | 0.4932 s | 2.2194 s  |
|  |                      |          |                           | 000100                                       | 0.0548 s | 0.6576 s | 2.9592 s  |
|  |                      |          |                           | (time increases by 0.0137 s with every step) |          |          |           |
| 111111   | 0.8631 s             | 10.36 s  | 46.6 s                    |  |          |          |           |

**REL\_time** These bits set the release time for the AGC function. The release time is the minimum time between gain increases.

**AGC HOLD TIME CONTROL (Address: 4)**

| REGISTER ADDRESS                                 | I <sup>2</sup> C BIT | LABEL     | DEFAULT           | DESCRIPTION   |  |                   |  |
|--|----------------------|-----------|-------------------|---------------|--|-------------------|--|
| 04 (04 <sub>H</sub> ) –<br>AGC Hold Time Control | 7:6                  | Unused    | 00                |               |  |                   |  |
|  | 5:0                  | Hold_time | 000000 (Disabled) | AGC Hold time |  |                   |  |
|  |                      |           |                   |               |  | Per Step          |  |
|  |                      |           |                   | 000000        |  | Hold Time Disable |  |
|  |                      |           |                   | 000001        |  | 0.0137 s          |  |
|  |                      |           |                   | 000010        |  | 0.0274 s          |  |
|  |                      |           |                   | 000011        |  | 0.0411 s          |  |
|  |                      |           |                   | 000100        |  | 0.0548 s          |  |
| (time increases by 0.0137 s with every step)     |                      |           |                   |               |  |                   |  |
| 111111   |                      | 0.8631 s  |                   |               |  |                   |  |

**Hold\_time** These bits set the hold time for the AGC function. The hold time is the minimum time between a gain decrease (attack) and a gain increase (release). The hold time can be deactivated.

**AGC FIXED GAIN CONTROL (Address: 5)**

| REGISTER ADDRESS                                     | I <sup>2</sup> C BIT                     | LABEL      | DEFAULT     | DESCRIPTION  |        |
|--|--|------------|-------------|--|--------|
| 05 (05 <sub>H</sub> ) –<br>AGC Fixed<br>Gain Control | 7:6                                      | UNUSED     | 00          | Sets the fixed gain of the amplifier: two's complement |        |
|  | 5:0                                      | Fixed Gain | 00110 (6dB) |  |        |
|  |  |            | Gain        |  |        |
|  |  |            | 100100      |  | –28 dB |
|  |  |            | 100101      |  | –27 dB |
|  |  |            | 100110      |  | –26 dB |
|  | (gain increases by 1 dB with every step) |            |             |  |        |
|  |  |            | 111101      |  | –3 dB  |
|  |  |            | 111110      |  | –2 dB  |
|  |  |            | 111111      |  | –1 dB  |
|  |  |            | 000000      |  | 0 dB   |
|  |  |            | 000001      |  | 1 dB   |
|  |  |            | 000010      |  | 2 dB   |
|  |  |            | 000011      |  | 3 dB   |
|  | (gain increases by 1dB with every step)  |            |             |  |        |
|  |  |            | 011100      |  | 28 dB  |
|  |  | 011101     | 29 dB       |  |        |
|  |  | 011110     | 30 dB       |  |        |

**Fixed Gain** These bits are used to select the fixed gain of the amplifier. If the Compression is enabled, fixed gain is adjustable from –28dB to 30dB. If the Compression is disabled, fixed gain is adjustable from 0dB to 30dB.

**AGC CONTROL (Address: 6)**

| REGISTER ADDRESS                                   | I <sup>2</sup> C BIT | LABEL                  | DEFAULT                   | DESCRIPTION  |                     |                          |      |
|--|----------------------|------------------------|---------------------------|--|---------------------|--------------------------|------|
| 06 (06 <sub>H</sub> ) – AGC Control                | 7                    | Output Limiter Disable | 0 (enable)                | Disables the output limiter function. Can only be disabled when the AGC compression ratio is 1:1 (off) |                     |                          |      |
|  | 6:5                  | NoiseGate Threshold    | 01 (4 mV <sub>rms</sub> ) | Select the threshold of the noise gate   |                     |                          |      |
|  |                      |                        |                           |  | Threshold           |                          |      |
|  |                      |                        |                           | 00   | 1 mV <sub>rms</sub> |                          |      |
|  |                      |                        |                           | 01   | 4 mV <sub>rms</sub> |                          |      |
|  |                      | 10                     | 10 mV <sub>rms</sub>      |  |                     |                          |      |
|  |                      | 11                     | 20 mV <sub>rms</sub>      |  |                     |                          |      |
|  | 4:0                  | Output Limiter Level   | 11010 (6.5dBV)            | Selects the output limiter level   |                     |                          |      |
|  |                      |                        |                           |  | Output Power (Wrms) | Peak Output Voltage (Vp) | dBV  |
|  |                      |                        |                           | 00000  | 0.03                | 0.67                     | -6.5 |
| 00001  |                      |                        |                           | 0.03   | 0.71                | -6                       |      |
| 00010  |                      |                        |                           | 0.04   | 0.75                | -5.5                     |      |
| (Limiter level increases by 0.5dB with every step) |                      |                        |                           |  |                     |                          |      |
| 11101  |                      |                        |                           | 0.79   | 3.55                | 8                        |      |
| 11110  | 0.88                 | 3.76                   | 8.5                       |  |                     |                          |      |
| 11111  | 0.99                 | 3.99                   | 9                         |  |                     |                          |      |

**Output Limiter Disable** This bit disables the output limiter function when set to 1. Can only be disabled when the AGC compression ratio is 1:1

**NoiseGate Threshold** These bits set the threshold level of the noise gate. NoiseGate Threshold is only functional when the compression ratio is not 1:1

**Output Limiter Level** These bits select the output limiter level. Output Power numbers are for 8Ω load.

**AGC CONTROL (Address: 7)**

| REGISTER ADDRESS                    | I <sup>2</sup> C BIT                     | LABEL             | DEFAULT      | DESCRIPTION                                  |       |
|-------------------------------------|--|-------------------|--------------|--|-------|
| 07 (07 <sub>H</sub> ) – AGC Control | 7:4                                      | Max Gain          | 1100 (30 dB) | Selects the maximum gain the AGC can achieve |       |
|                                     |  |                   |              |  | Gain  |
|                                     |  |                   |              | 0000   | 18 dB |
|                                     |  |                   |              | 0001   | 19 dB |
|                                     |  |                   |              | 0010   | 20 dB |
|                                     | (gain increases by 1 dB with every step) |                   |              |  |       |
|                                     |  | 1100              | 30 dB        |  |       |
|                                     | 3:2                                      | UNUSED            | 00           |  |       |
|                                     | 1:0                                      | Compression Ratio | 10 (4:1)     | Selects the compression ratio of the AGC     |       |
|                                     |  |                   |              |  | Ratio |
| 00                                  |  |                   |              | 1:1 (off)                                    |       |
| 01                                  |  |                   |              | 2:1  |       |
|                                     | 10                                       | 4:1               |              |  |       |
|                                     | 11                                       | 8:1               |              |  |       |

**Compression Ratio** These bits select the compression ratio. Output Limiter is enabled by default when the compression ratio is not 1:1.

**Max Gain** These bits select the maximum gain of the amplifier. In order to maximize the use of the AGC, set the Max Gain to 30dB

## DECOUPLING CAPACITOR C<sub>S</sub>)

The TPA2028D1 is a high-performance Class-D audio amplifier that requires adequate power supply decoupling to ensure the efficiency is high and total harmonic distortion (THD) is low. For higher frequency transients, spikes, or digital hash on the line, a good low equivalent-series-resistance (ESR) 1- $\mu$ F ceramic capacitor (typically) placed as close as possible to the device PVDD lead works best. Placing this decoupling capacitor close to the TPA2028D1 is important for the efficiency of the Class-D amplifier, because any resistance or inductance in the trace between the device and the capacitor can cause a loss in efficiency. For filtering lower-frequency noise signals, a 4.7  $\mu$ F or greater capacitor placed near the audio power amplifier would also help, but it is not required in most applications because of the high PSRR of this device.

## INPUT CAPACITORS C<sub>I</sub>)

**TPA2028D1 requires input capacitors to ensure low output offset and low pop.**

The input capacitors and input resistors form a high-pass filter with the corner frequency,  $f_c$ , determined in [Equation 5](#).

$$f_c = \frac{1}{(2\pi \times R_I \times C_I)} \quad (5)$$

The value of the input capacitor is important to consider as it directly affects the bass (low frequency) performance of the circuit. Speakers in wireless phones cannot usually respond well to low frequencies, so the corner frequency can be set to block low frequencies in this application. Not using input capacitors can increase output offset. [Equation 6](#) is used to solve for the input coupling capacitance. If the corner frequency is within the audio band, the capacitors should have a tolerance of  $\pm 10\%$  or better, because any mismatch in capacitance causes an impedance mismatch at the corner frequency and below.

$$C_I = \frac{1}{(2\pi \times R_I \times f_c)} \quad (6)$$

## PACKAGE INFORMATION

### Package Dimensions

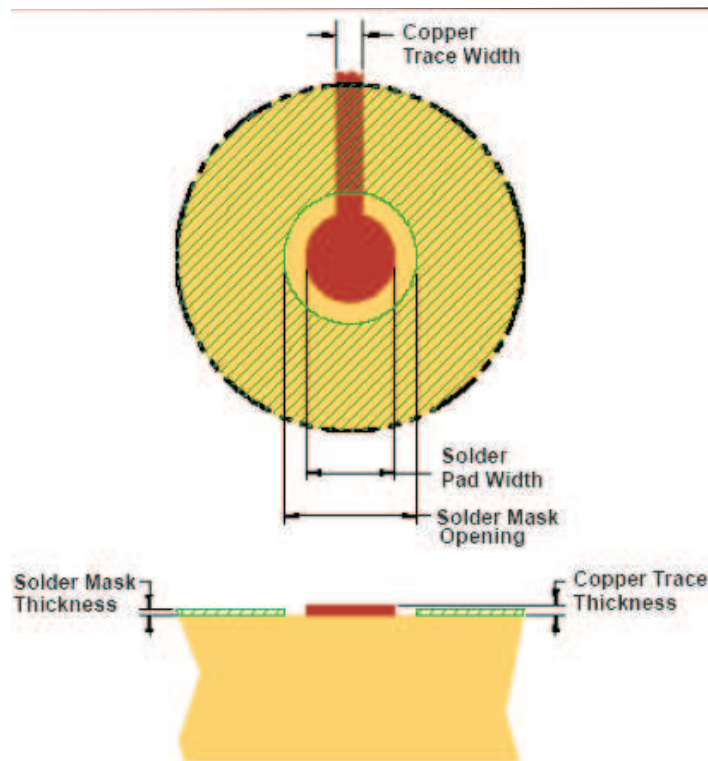
The package dimensions for this YZF package are shown in the table below. See the package drawing at the end of this data sheet for more details.

**Table 5. YZF Package Dimensions**

| Packaged Devices | D  | E  |
|------------------|--|--|
| TPA2028D1YZF     | Min = 1594 $\mu$ m<br>Max = 1654 $\mu$ m | Min = 1594 $\mu$ m<br>Max = 1654 $\mu$ m |

## BOARD LAYOUT

In making the pad size for the WCSP balls, it is recommended that the layout use non solder mask defined (NSMD) land. With this method, the solder mask opening is made larger than the desired land area, and the opening size is defined by the copper pad width. [Figure 44](#) and [Table 6](#) shows the appropriate diameters for a WCSP layout. The TPA2028D1 evaluation module (EVM) layout is shown in the next section as a layout example.



**Figure 44. Land Pattern Dimensions**

**Table 6. Land Pattern Dimensions<sup>(1) (2) (3) (4)</sup>**

| SOLDER PAD DEFINITIONS         | COPPER PAD                                      | SOLDER MASK <sup>(5)</sup> OPENING              | COPPER THICKNESS             | STENCIL <sup>(6) (7)</sup> OPENING                                 | STENCIL THICKNESS       |
|--------------------------------|---|---|------------------------------|--|-------------------------|
| Non solder mask defined (NSMD) | 275 $\mu\text{m}$<br>(+0.0, -25 $\mu\text{m}$ ) | 375 $\mu\text{m}$<br>(+0.0, -25 $\mu\text{m}$ ) | 1 oz max (32 $\mu\text{m}$ ) | 275 $\mu\text{m}$ $\times$ 275 $\mu\text{m}$ Sq. (rounded corners) | 125 $\mu\text{m}$ thick |

- (1) Circuit traces from NSMD defined PWB lands should be 75  $\mu\text{m}$  to 100  $\mu\text{m}$  wide in the exposed area inside the solder mask opening. Wider trace widths reduce device stand off and impact reliability.
- (2) Best reliability results are achieved when the PWB laminate glass transition temperature is above the operating the range of the intended application.
- (3) Recommend solder paste is Type 3 or Type 4.
- (4) For a PWB using a Ni/Au surface finish, the gold thickness should be less 0.5  $\mu\text{m}$  to avoid a reduction in thermal fatigue performance.
- (5) Solder mask thickness should be less than 20  $\mu\text{m}$  on top of the copper circuit pattern
- (6) Best solder stencil performance is achieved using laser cut stencils with electro polishing. Use of chemically etched stencils results in inferior solder paste volume control.
- (7) Trace routing away from WCSP device should be balanced in X and Y directions to avoid unintentional component movement due to solder wetting forces.

## COMPONENT LOCATION

Place all the external components very close to the TPA2028D1. Placing the decoupling capacitor,  $C_S$ , close to the TPA2028D1 is important for the efficiency of the Class-D amplifier. Any resistance or inductance in the trace between the device and the capacitor can cause a loss in efficiency.

## TRACE WIDTH

Recommended trace width at the solder balls is 75  $\mu\text{m}$  to 100  $\mu\text{m}$  to prevent solder wicking onto wider PCB traces. For high current pins (PVDD (L, R), PGND, and audio output pins) of the TPA2028D1, use 100- $\mu\text{m}$  trace widths at the solder balls and at least 500- $\mu\text{m}$  PCB traces to ensure proper performance and output power for the device. For the remaining signals of the TPA2028D1, use 75- $\mu\text{m}$  to 100- $\mu\text{m}$  trace widths at the solder balls. The audio input pins (IN+ and IN-) must run side-by-side to maximize common-mode noise cancellation

## EFFICIENCY AND THERMAL INFORMATION

The maximum ambient temperature depends on the heat-sinking ability of the PCB system. The derating factor for the packages are shown in the dissipation rating table. Converting this to  $\theta_{JA}$  for the WCSP package:

$$\theta_{JA} = \frac{1}{\text{Derating Factor}} = \frac{1}{0.01} = 105^{\circ}\text{C/W} \quad (7)$$

Given  $\theta_{JA}$  of  $105^{\circ}\text{C/W}$ , the maximum allowable junction temperature of  $150^{\circ}\text{C}$ , and the maximum internal dissipation of 0.4 W for 3 W output power, 4- $\Omega$  load, 5-V supply, from Figure 17, the maximum ambient temperature can be calculated with the following equation.

$$T_{A\text{Max}} = T_{J\text{Max}} - \theta_{JA}P_{D\text{MAX}} = 150 - 105(0.4) = 108^{\circ}\text{C} \quad (8)$$

Equation 8 shows that the calculated maximum ambient temperature is  $108^{\circ}\text{C}$  at maximum power dissipation with a 5-V supply and 4- $\Omega$  a load. The TPA2028D1 is designed with thermal protection that turns the device off when the junction temperature surpasses  $150^{\circ}\text{C}$  to prevent damage to the IC. Also, using speakers more resistive than 8- $\Omega$  dramatically increases the thermal performance by reducing the output current and increasing the efficiency of the amplifier.

## OPERATION WITH DACS AND CODECS

In using Class-D amplifiers with CODECs and DACs, sometimes there is an increase in the output noise floor from the audio amplifier. This occurs when output frequencies of the CODEC/DAC mix with the Class-D switching frequency and create sum/difference components in the audio band. The noise increase can be solved by placing an RC low-pass filter between the CODEC/DAC and audio amplifier. The filter reduces high frequencies that cause the problem and allows proper performance.

TPA2028D1 includes an integrated low-pass filter for this purpose. It is still possible that Class-D output noise will be affected in extreme cases. In such a case, the RC filter may still be needed.

## SHORT CIRCUIT AUTO-RECOVERY

When a short circuit event happens, the TPA2028D1 goes to low duty cycle mode and tries to reactivate itself every 110  $\mu\text{s}$ . This auto-recovery will continue until the short circuit event stops. This feature can protect the device without affecting the device's long term reliability. FAULT bit (register 1, bit 3) still requires a write to clear.

## FILTER FREE OPERATION AND FERRITE BEAD FILTERS

A ferrite bead filter can often be used if the design is failing radiated emissions without an LC filter and the frequency sensitive circuit is greater than 1 MHz. This filter functions well for circuits that just have to pass FCC and CE because FCC and CE only test radiated emissions greater than 30 MHz. When choosing a ferrite bead, choose one with high impedance at high frequencies, and low impedance at low frequencies. In addition, select a ferrite bead with adequate current rating to prevent distortion of the output signal.

Use an LC output filter if there are low frequency (< 1 MHz) EMI sensitive circuits and/or there are long leads from amplifier to speaker. Figure 45 shows typical ferrite bead and LC output filters.

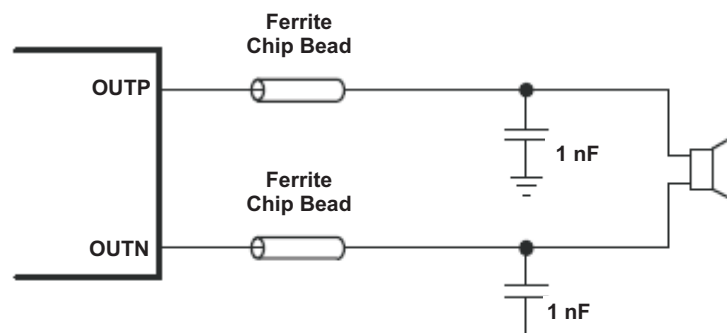


Figure 45. Typical Ferrite Bead Filter (Chip bead example: TDK: MPZ1608S221A)

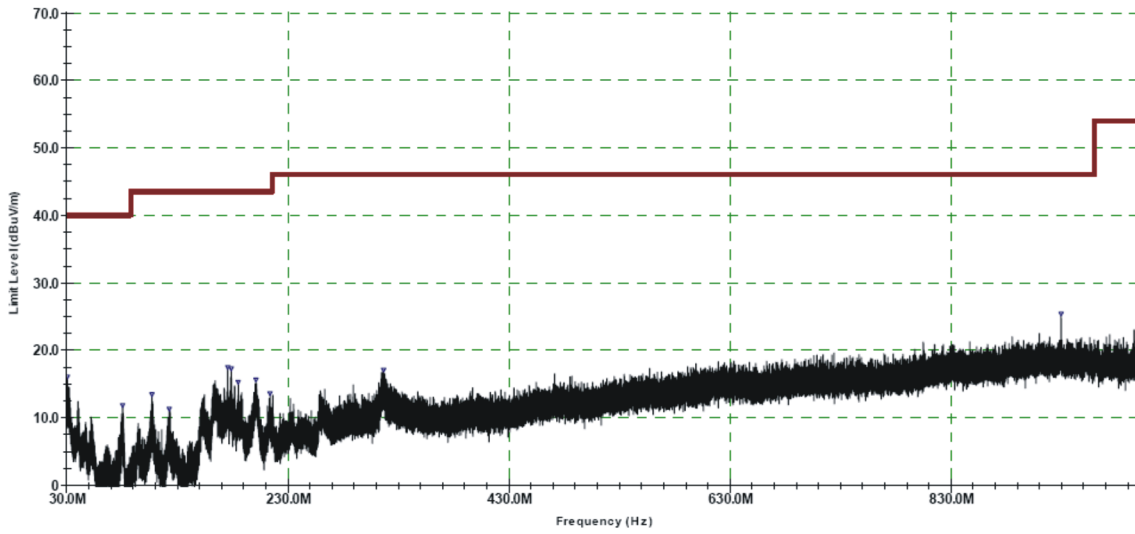


Figure 46. EMC Performance under FCC Class-B

Figure 46 shows the EMC performance of TPA2028D1 under FCC Class-B. The test circuit configuration is shown in Figure 45. The worst-case quasi peak margin is 29.8 dB at 30.5 MHz.

Table 7. Measurement Condition for TPA2028D1 EMC Test

| PARAMETER        |                         | VALUE | UNIT             |
|------------------|-------------------------|-------|------------------|
| V <sub>DD</sub>  | Supply voltage          | 4.2   | V                |
| A <sub>V</sub>   | Gain                    | 6     | dB               |
| f <sub>AUD</sub> | Input signal frequency  | 1     | kHz              |
| V <sub>I</sub>   | Input signal amplitude  | 1     | V <sub>RMS</sub> |
| V <sub>O</sub>   | Output signal amplitude | 2     | V <sub>RMS</sub> |
| R <sub>L</sub>   | Load impedance          | 8     | Ω                |
|                  | Output cable length     | 100   | mm               |



**PACKAGING INFORMATION**

| Orderable Device | Status <sup>(1)</sup> | Package Type | Package Drawing | Pins | Package Qty | Eco Plan <sup>(2)</sup> | Lead/Ball Finish | MSL Peak Temp <sup>(3)</sup> |
|------------------|-----------------------|--------------|-----------------|------|-------------|-------------------------|------------------|------------------------------|
| TPA2028D1YZFR    | ACTIVE                | DSBGA        | YZF             | 9    | 3000        | Green (RoHS & no Sb/Br) | SNAGCU           | Level-1-260C-UNLIM           |
| TPA2028D1YZFT    | ACTIVE                | DSBGA        | YZF             | 9    | 250         | Green (RoHS & no Sb/Br) | SNAGCU           | Level-1-260C-UNLIM           |

<sup>(1)</sup> The marketing status values are defined as follows:

**ACTIVE:** Product device recommended for new designs.

**LIFEBUY:** TI has announced that the device will be discontinued, and a lifetime-buy period is in effect.

**NRND:** Not recommended for new designs. Device is in production to support existing customers, but TI does not recommend using this part in a new design.

**PREVIEW:** Device has been announced but is not in production. Samples may or may not be available.

**OBsolete:** TI has discontinued the production of the device.

<sup>(2)</sup> Eco Plan - The planned eco-friendly classification: Pb-Free (RoHS), Pb-Free (RoHS Exempt), or Green (RoHS & no Sb/Br) - please check <http://www.ti.com/productcontent> for the latest availability information and additional product content details.

**TBD:** The Pb-Free/Green conversion plan has not been defined.

**Pb-Free (RoHS):** TI's terms "Lead-Free" or "Pb-Free" mean semiconductor products that are compatible with the current RoHS requirements for all 6 substances, including the requirement that lead not exceed 0.1% by weight in homogeneous materials. Where designed to be soldered at high temperatures, TI Pb-Free products are suitable for use in specified lead-free processes.

**Pb-Free (RoHS Exempt):** This component has a RoHS exemption for either 1) lead-based flip-chip solder bumps used between the die and package, or 2) lead-based die adhesive used between the die and leadframe. The component is otherwise considered Pb-Free (RoHS compatible) as defined above.

**Green (RoHS & no Sb/Br):** TI defines "Green" to mean Pb-Free (RoHS compatible), and free of Bromine (Br) and Antimony (Sb) based flame retardants (Br or Sb do not exceed 0.1% by weight in homogeneous material)

<sup>(3)</sup> MSL, Peak Temp. -- The Moisture Sensitivity Level rating according to the JEDEC industry standard classifications, and peak solder temperature.

**Important Information and Disclaimer:**The information provided on this page represents TI's knowledge and belief as of the date that it is provided. TI bases its knowledge and belief on information provided by third parties, and makes no representation or warranty as to the accuracy of such information. Efforts are underway to better integrate information from third parties. TI has taken and continues to take reasonable steps to provide representative and accurate information but may not have conducted destructive testing or chemical analysis on incoming materials and chemicals. TI and TI suppliers consider certain information to be proprietary, and thus CAS numbers and other limited information may not be available for release.

In no event shall TI's liability arising out of such information exceed the total purchase price of the TI part(s) at issue in this document sold by TI to Customer on an annual basis.

**TAPE AND REEL INFORMATION**



**QUADRANT ASSIGNMENTS FOR PIN 1 ORIENTATION IN TAPE**



\*All dimensions are nominal

| Device        | Package Type | Package Drawing | Pins | SPQ  | Reel Diameter (mm) | Reel Width W1 (mm) | A0 (mm) | B0 (mm) | K0 (mm) | P1 (mm) | W (mm) | Pin1 Quadrant |
|---------------|--------------|-----------------|------|------|--------------------|--------------------|---------|---------|---------|---------|--------|---------------|
| TPA2028D1YZFR | DSBGA        | YZF             | 9    | 3000 | 180.0              | 8.4                | 1.71    | 1.71    | 0.81    | 4.0     | 8.0    | Q1            |
| TPA2028D1YZFT | DSBGA        | YZF             | 9    | 250  | 180.0              | 8.4                | 1.71    | 1.71    | 0.81    | 4.0     | 8.0    | Q1            |

**TAPE AND REEL BOX DIMENSIONS**



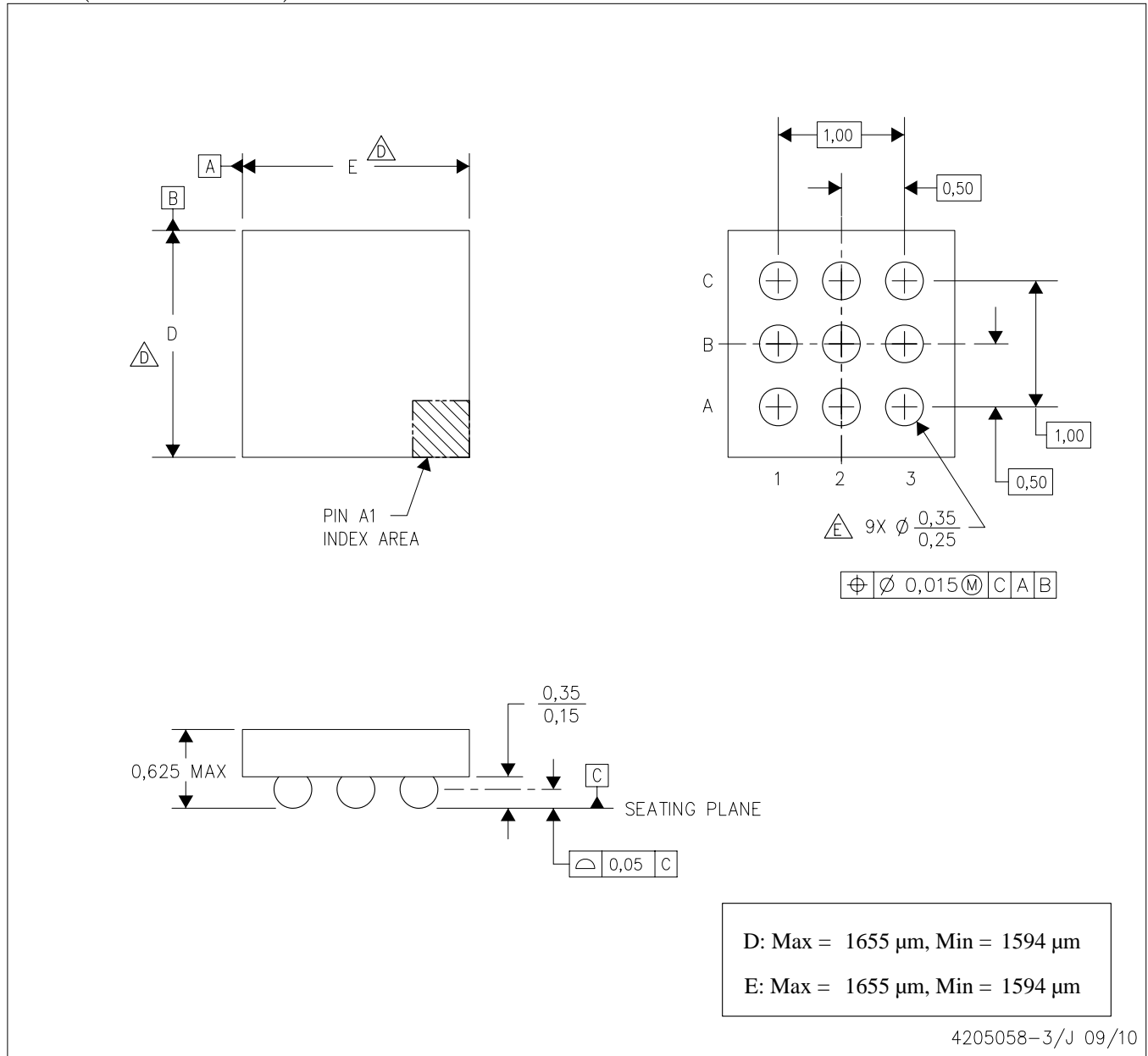
\*All dimensions are nominal

| Device        | Package Type | Package Drawing | Pins | SPQ  | Length (mm) | Width (mm) | Height (mm) |
|---------------|--------------|-----------------|------|------|-------------|------------|-------------|
| TPA2028D1YZFR | DSBGA        | YZF             | 9    | 3000 | 190.5       | 212.7      | 31.8        |
| TPA2028D1YZFT | DSBGA        | YZF             | 9    | 250  | 190.5       | 212.7      | 31.8        |

[查询"TPA2028D1"供应商](#)

YZF (S-XBGA-N9)

DIE-SIZE BALL GRID ARRAY



- NOTES:
- A. All linear dimensions are in millimeters. Dimensioning and tolerancing per ASME Y14.5M-1994.
  - B. This drawing is subject to change without notice.
  - C. NanoFree  $\text{TM}$  package configuration.
  - $\triangle$  The package size (Dimension D and E) of a particular device is specified in the device Product Data Sheet version of this drawing, in case it cannot be found in the product datasheet please contact a local TI representative. A range of possible values per each package designator can be found at <http://www.ti.com/sc/docs/psheets/type/dsbga.html>
  - E. Reference Product Data Sheet for array population.  
3 x 3 matrix pattern is shown for illustration only.
  - F. This package contains Pb-free balls.  
Refer to YEF (Drawing #4204181) for tin-lead (SnPb) balls.

NanoFree is a trademark of Texas Instruments.

## IMPORTANT NOTICE

Texas Instruments Incorporated and its subsidiaries (TI) reserve the right to make corrections, modifications, enhancements, improvements, and other changes to its products and services at any time and to discontinue any product or service without notice. Customers should obtain the latest relevant information before placing orders and should verify that such information is current and complete. All products are sold subject to TI's terms and conditions of sale supplied at the time of order acknowledgment.

TI warrants performance of its hardware products to the specifications applicable at the time of sale in accordance with TI's standard warranty. Testing and other quality control techniques are used to the extent TI deems necessary to support this warranty. Except where mandated by government requirements, testing of all parameters of each product is not necessarily performed.

TI assumes no liability for applications assistance or customer product design. Customers are responsible for their products and applications using TI components. To minimize the risks associated with customer products and applications, customers should provide adequate design and operating safeguards.

TI does not warrant or represent that any license, either express or implied, is granted under any TI patent right, copyright, mask work right, or other TI intellectual property right relating to any combination, machine, or process in which TI products or services are used. Information published by TI regarding third-party products or services does not constitute a license from TI to use such products or services or a warranty or endorsement thereof. Use of such information may require a license from a third party under the patents or other intellectual property of the third party, or a license from TI under the patents or other intellectual property of TI.

Reproduction of TI information in TI data books or data sheets is permissible only if reproduction is without alteration and is accompanied by all associated warranties, conditions, limitations, and notices. Reproduction of this information with alteration is an unfair and deceptive business practice. TI is not responsible or liable for such altered documentation. Information of third parties may be subject to additional restrictions.

Resale of TI products or services with statements different from or beyond the parameters stated by TI for that product or service voids all express and any implied warranties for the associated TI product or service and is an unfair and deceptive business practice. TI is not responsible or liable for any such statements.

TI products are not authorized for use in safety-critical applications (such as life support) where a failure of the TI product would reasonably be expected to cause severe personal injury or death, unless officers of the parties have executed an agreement specifically governing such use. Buyers represent that they have all necessary expertise in the safety and regulatory ramifications of their applications, and acknowledge and agree that they are solely responsible for all legal, regulatory and safety-related requirements concerning their products and any use of TI products in such safety-critical applications, notwithstanding any applications-related information or support that may be provided by TI. Further, Buyers must fully indemnify TI and its representatives against any damages arising out of the use of TI products in such safety-critical applications.

TI products are neither designed nor intended for use in military/aerospace applications or environments unless the TI products are specifically designated by TI as military-grade or "enhanced plastic." Only products designated by TI as military-grade meet military specifications. Buyers acknowledge and agree that any such use of TI products which TI has not designated as military-grade is solely at the Buyer's risk, and that they are solely responsible for compliance with all legal and regulatory requirements in connection with such use.

TI products are neither designed nor intended for use in automotive applications or environments unless the specific TI products are designated by TI as compliant with ISO/TS 16949 requirements. Buyers acknowledge and agree that, if they use any non-designated products in automotive applications, TI will not be responsible for any failure to meet such requirements.

Following are URLs where you can obtain information on other Texas Instruments products and application solutions:

| <b>Products</b>             |  | <b>Applications</b>        |  |
|-----------------------------|--|----------------------------|--|
| Amplifiers                  | <a href="http://amplifier.ti.com">amplifier.ti.com</a>             | Audio                      | <a href="http://www.ti.com/audio">www.ti.com/audio</a>                                   |
| Data Converters             | <a href="http://dataconverter.ti.com">dataconverter.ti.com</a>     | Automotive                 | <a href="http://www.ti.com/automotive">www.ti.com/automotive</a>                         |
| DLP® Products               | <a href="http://www.dlp.com">www.dlp.com</a>                       | Communications and Telecom | <a href="http://www.ti.com/communications">www.ti.com/communications</a>                 |
| DSP                         | <a href="http://dsp.ti.com">dsp.ti.com</a>                         | Computers and Peripherals  | <a href="http://www.ti.com/computers">www.ti.com/computers</a>                           |
| Clocks and Timers           | <a href="http://www.ti.com/clocks">www.ti.com/clocks</a>           | Consumer Electronics       | <a href="http://www.ti.com/consumer-apps">www.ti.com/consumer-apps</a>                   |
| Interface                   | <a href="http://interface.ti.com">interface.ti.com</a>             | Energy                     | <a href="http://www.ti.com/energy">www.ti.com/energy</a>                                 |
| Logic                       | <a href="http://logic.ti.com">logic.ti.com</a>                     | Industrial                 | <a href="http://www.ti.com/industrial">www.ti.com/industrial</a>                         |
| Power Mgmt                  | <a href="http://power.ti.com">power.ti.com</a>                     | Medical                    | <a href="http://www.ti.com/medical">www.ti.com/medical</a>                               |
| Microcontrollers            | <a href="http://microcontroller.ti.com">microcontroller.ti.com</a> | Security                   | <a href="http://www.ti.com/security">www.ti.com/security</a>                             |
| RFID                        | <a href="http://www.ti-rfid.com">www.ti-rfid.com</a>               | Space, Avionics & Defense  | <a href="http://www.ti.com/space-avionics-defense">www.ti.com/space-avionics-defense</a> |
| RF/IF and ZigBee® Solutions | <a href="http://www.ti.com/lprf">www.ti.com/lprf</a>               | Video and Imaging          | <a href="http://www.ti.com/video">www.ti.com/video</a>                                   |
|                             |  | Wireless                   | <a href="http://www.ti.com/wireless-apps">www.ti.com/wireless-apps</a>                   |