

查询"5962-8755901EA"供应商

REVISIONS													
LTR	DESCRIPTION										DATE (YR-MO-DA)	APPROVED	
REV													
SHEET													
REV													
SHEET													
REV STATUS OF SHEETS	REV												
	SHEET	1	2	3	4	5	6	7	8	9	10	11	12
PMIC N/A	PREPARED BY <i>David W. Queenan</i>					DEFENSE ELECTRONICS SUPPLY CENTER DAYTON, OHIO 45444							
<b>STANDARDIZED MILITARY DRAWING</b>	CHECKED BY <i>Ray Morrison</i>												
	APPROVED BY <i>Mike [Signature]</i>												
	DRAWING APPROVAL DATE 11 MARCH 1988												
THIS DRAWING IS AVAILABLE FOR USE BY ALL DEPARTMENTS AND AGENCIES OF THE DEPARTMENT OF DEFENSE	SIZE <b>A</b>		CAGE CODE <b>67268</b>		MICROCIRCUIT, DIGITAL, ECL, OR/AND GATE, MONOLITHIC SILICON								
AMSC N/A	REVISION LEVEL		SHEET <b>1</b> OF <b>12</b>										

DESC FORM 193  
SEP 87

U.S. GOVERNMENT PRINTING OFFICE: 1987 - 748-129/60911

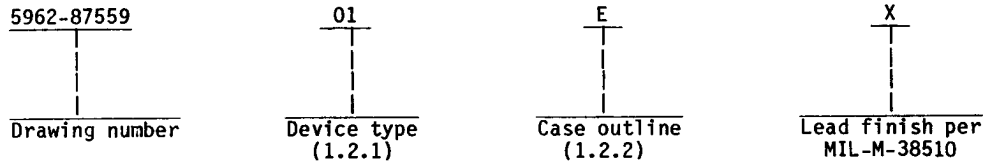
DISTRIBUTION STATEMENT A. Approved for public release; distribution is unlimited.

5962-E341-3

1. SCOPE

1.1 Scope. This drawing describes device requirements for class B microcircuits in accordance with 1.2.1 of MIL-STD-883, "Provisions for the use of MIL-STD-883 in conjunction with compliant non-JAN devices".

1.2 Part number. The complete part number shall be as shown in the following example:



1.2.1 Device type. The device type shall identify the circuit function as follows:

Device type	Generic number	Circuit function
01	10H518	Dual 2-wide 3-input OR/AND gate

1.2.2 Case outlines. The case outlines shall be as designated in appendix C of MIL-M-38510, and as follows:

Outline letter	Case outline
E	D-2 (16-lead, .840" x .310" x .200"), dual-in-line package
F	F-5 (16-lead, .440" x .285" x .085"), flat package
2	C-2 (20-terminal, .358" x .358" x .100"), square chip carrier package

1.3 Absolute maximum ratings.

Supply voltage range - - - - -	-8.0 V dc to 0.0 V dc
Input voltage range - - - - -	0.0 V dc to -5.2 V dc
Storage temperature range - - - - -	-65°C to +165°C
Lead temperature (soldering, 10 seconds) - - - - -	+300°C
Junction temperature (T <sub>J</sub> )- - - - -	+165°C
Maximum power dissipation (P <sub>D</sub> ) - - - - -	175 mW
Thermal resistance, junction-to-case (θ <sub>JC</sub> ) - - - - -	See MIL-M-38510, appendix C

1.4 Recommended operating conditions.

Supply voltage (V <sub>CC</sub> ) - - - - -	-5.46 V dc minimum to -4.94 V dc maximum
Ambient operating temperature range (T <sub>A</sub> ) - - - - -	-55 C to +125 C
Minimum high level input voltage (V <sub>IH</sub> ):	
T <sub>A</sub> = +25°C - - - - -	-0.780 V
T <sub>A</sub> = +125°C - - - - -	-0.650 V
T <sub>A</sub> = -55°C - - - - -	-0.840 V
Maximum low level input voltage (V <sub>IL</sub> )- - - - -	-1.950 V

<b>STANDARDIZED MILITARY DRAWING</b> DEFENSE ELECTRONICS SUPPLY CENTER DAYTON, OHIO 45444	SIZE <b>A</b>	5962-87559
	REVISION LEVEL	SHEET 2

2. APPLICABLE DOCUMENTS

2.1 Government specification and standard. Unless otherwise specified, the following specification and standard, of the issue listed in that issue of the Department of Defense Index of Specifications and Standards specified in the solicitation, form a part of this drawing to the extent specified herein.

SPECIFICATION

MILITARY

MIL-M-38510 - Microcircuits, General Specification for.

STANDARD

MILITARY

MIL-STD-883 - Test Methods and Procedures for Microelectronics.

(Copies of the specification and standard required by manufacturers in connection with specific acquisition functions should be obtained from the contracting activity or as directed by the contracting activity.)

2.2 Order of precedence. In the event of a conflict between the text of this drawing and the references cited herein, the text of this drawing shall take precedence.

3. REQUIREMENTS

3.1 Item requirements. The individual item requirements shall be in accordance with 1.2.1 of MIL-STD-883, "Provisions for the use of MIL-STD-883 in conjunction with compliant non-JAN devices" and as specified herein.

3.2 Design, construction, and physical dimensions. The design, construction, and physical dimensions shall be as specified in MIL-M-38510 and herein.

3.2.1 Terminal connections. The terminal connections shall be as specified on figure 1.

3.2.2 Truth table. The truth table shall be as specified on figure 2.

3.2.3 Logic diagram. The logic diagram shall be as specified on figure 3.

3.2.4 Case outlines. The case outlines shall be in accordance with 1.2.2 herein.

3.3 Electrical performance characteristics. Unless otherwise specified, the electrical performance characteristics are as specified in table I and apply over the full ambient operating temperature range.

3.4 Marking. Marking shall be in accordance with MIL-STD-883 (see 3.1 herein). The part shall be marked with the part number listed in 1.2 herein. In addition, the manufacturer's part number may also be marked as listed in 6.4 herein.

3.5 Certificate of compliance. A certificate of compliance shall be required from a manufacturer in order to be listed as an approved source of supply in 6.4. The certificate of compliance submitted to DESC-ECS prior to listing as an approved source of supply shall state that the manufacturer's product meets the requirements of MIL-STD-883 (see 3.1 herein) and the requirements herein.

3.6 Certificate of conformance. A certificate of conformance as required in MIL-STD-883 (see 3.1 herein) shall be provided with each lot of microcircuits delivered to this drawing.

<b>STANDARDIZED MILITARY DRAWING</b> DEFENSE ELECTRONICS SUPPLY CENTER DAYTON, OHIO 45444	SIZE <b>A</b>		5962-87559
		REVISION LEVEL	SHEET 3

TABLE I. Electrical performance characteristics.

Test	Symbol	Conditions -55°C < T <sub>A</sub> < +125°C unless otherwise specified	Group A subgroups	Limits		Unit		
				Min	Max			
Cases E, F, and 2								
Quiescent tests 1/								
High level output voltage	V <sub>OH</sub>	Outputs terminated through 100Ω to -2 V V <sub>CC</sub> = 0.0 V V <sub>EE</sub> = -5.2 V 2/	V <sub>IH</sub>	V <sub>IL</sub>				
			-0.780	-1.950	1	-1.010	-0.780	V
			-0.650	-1.950	2	-0.860	-0.650	
			-0.840	-1.950	3	-1.060	-0.840	
Low level output voltage	V <sub>OL</sub>		-0.780	-1.950	1	-1.950	-1.580	V
			-0.650	-1.950	2	-1.950	-1.565	
			-0.840	-1.950	3	-1.950	-1.610	
High level threshold output voltage	V <sub>OHA</sub>		-1.110	-1.480	1	-1.010	-0.780	V
			-0.960	-1.465	2	-0.860	-0.650	
			-1.160	-1.510	3	-1.060	-0.840	
Low level threshold output voltage	V <sub>OLA</sub>		-1.110	-1.480	1	-1.950	-1.580	V
			-0.960	-1.465	2	-1.950	-1.565	
			-1.160	-1.510	3	-1.950	-1.610	
Power supply drain current	I <sub>EE</sub>	V <sub>EE</sub> = -5.46 V V <sub>CC</sub> = 0.0 V V <sub>IH</sub> = -0.780 V at +25°C -0.650 V at +125°C -0.840 V at -55°C			1 2, 3	-26 -29		mA
High level input current	I <sub>IH1</sub>		D, E, and F inputs	1, 2 3			275 465	μA
	I <sub>IH2</sub>		B and C inputs	1, 2 3			320 545	μA
	I <sub>IH3</sub>		A input	1, 2 3			415 710	μA
Low level input current	I <sub>IL</sub>	V <sub>EE</sub> = -4.94 V V <sub>IL</sub> = -1.950 V V <sub>CC</sub> = 0.0 V			1, 3 2		0.5 0.3	μA

See footnotes at end of table.

<b>STANDARDIZED MILITARY DRAWING</b> DEFENSE ELECTRONICS SUPPLY CENTER DAYTON, OHIO 45444	SIZE <b>A</b>	5962-87559
	REVISION LEVEL	SHEET 4

TABLE I. Electrical performance characteristics - Continued.

Test	Symbol	Conditions -55°C ≤ T <sub>A</sub> ≤ +125°C unless otherwise specified	Group A subgroups	Limits		Unit		
				Min	Max			
Cases E and F		Rapid tests <u>3/</u>						
High level output voltage	V <sub>OH</sub>	Outputs terminated through 100Ω to -2 V V <sub>CC</sub> = 0.0 V V <sub>EE</sub> = -5.2 V	V <sub>IH</sub>	V <sub>IL</sub>				
			-0.787	-1.950	1	-1.017	-0.787	V
			-0.658	-1.950	2	-0.867	-0.658	
			-0.858	-1.950	3	-1.067	-0.848	
Low level output voltage	V <sub>OL</sub>	<u>2/</u>	-0.787	-1.950	1	-1.950	-1.582	V
			-0.658	-1.950	2	-1.950	-1.567	
			-0.848	-1.950	3	-1.950	-1.612	
High level threshold output voltage	V <sub>OHA</sub>		-1.117	-1.482	1	-1.017	-0.787	V
			-0.967	-1.467	2	-0.867	-0.658	
			-1.167	-1.512	3	-1.067	-0.848	
Low level threshold output voltage	V <sub>OLA</sub>		-1.117	-1.482	1	-1.950	-1.582	V
			-0.967	-1.467	2	-1.950	-1.567	
			-1.167	-1.512	3	-1.950	-1.612	
Power supply drain current	I <sub>EE</sub>	V <sub>EE</sub> = -5.46 V V <sub>CC</sub> = 0.0 V V <sub>IH</sub> = -0.787 V at +25°C -0.658 V at +125°C -0.848 V at -55°C			1 2, 3	-25 -28		mA
High level input current	I <sub>IH1</sub>		D, E, and F inputs	1, 2 3		260 450		μA
	I <sub>IH2</sub>		B and C inputs	1, 2 3		305 530		μA
	I <sub>IH3</sub>		A input	1, 2 3		400 695		μA
Low level input current	I <sub>IL</sub>	V <sub>EE</sub> = -4.94 V V <sub>IL</sub> = -1.950 V V <sub>CC</sub> = 0.0 V			1, 3 2	0.5 0.3		μA

See footnotes at end of table.

<b>STANDARDIZED MILITARY DRAWING</b> DEFENSE ELECTRONICS SUPPLY CENTER DAYTON, OHIO 45444	SIZE <b>A</b>		5962-87559
		REVISION LEVEL	SHEET 5

TABLE I. Electrical performance characteristics - Continued.

Test	Symbol	Conditions -55°C < T <sub>A</sub> < +125°C unless otherwise specified	Group A subgroups	Limits		Unit		
				Min	Max			
Case 2		Rapid tests 3/						
High level output voltage	V <sub>OH</sub>	Outputs terminated through 100Ω to -2 V V <sub>CC</sub> = 0.0 V V <sub>EE</sub> = -5.2 V 2/	V <sub>IH</sub>	V <sub>IL</sub>				
			-0.792	-1.950	1	-1.021	-0.792	V
			-0.663	-1.950	2	-0.872	-0.663	
Low level output voltage	V <sub>OL</sub>							
			-0.853	-1.950	3	-1.072	-0.853	
			-0.792	-1.950	1	-1.950	-1.584	V
High level threshold output voltage	V <sub>OHA</sub>							
			-0.663	-1.950	2	-1.950	-1.569	V
			-0.853	-1.950	3	-1.950	-1.614	
Low level threshold output voltage	V <sub>OLA</sub>							
			-1.121	-1.484	1	-1.021	-0.792	V
			-0.972	-1.469	2	-0.872	-0.663	
Power supply drain current	I <sub>EE</sub>	V <sub>EE</sub> = -5.46 V V <sub>CC</sub> = 0.0 V V <sub>IH</sub> = -0.792 V at +25°C -0.663 V at +125°C -0.853 V at -55°C						
					1	-25		mA
					2, 3	-28		
High level input current	I <sub>IH1</sub>		D, E, and F inputs	1, 2 3		260 450	μA	
			B and C inputs	1, 2 3		305 530	μA	
			A input	1, 2 3		400 695	μA	
Low level input current	I <sub>IL</sub>	V <sub>EE</sub> = -4.94 V V <sub>IL</sub> = -1.950 V V <sub>CC</sub> = 0.0 V						
				1, 3		0.5	μA	
				2		0.3		

See footnotes at end of table.

<b>STANDARDIZED MILITARY DRAWING</b> DEFENSE ELECTRONICS SUPPLY CENTER DAYTON, OHIO 45444	SIZE <b>A</b>		5962-87559
		REVISION LEVEL	SHEET 6

TABLE 1. Electrical performance characteristics - Continued.

Test	Symbol	Conditions -55°C < T <sub>A</sub> < +125°C unless otherwise specified	Group A subgroups	Limits		Unit
				Min	Max	
Cases E, F, and 2						
AC tests						
Transition time	t <sub>TLH</sub> , t <sub>THL</sub>	V <sub>EE</sub> = -2.94 V V <sub>CC</sub> = 2.0 V C <sub>L</sub> ≤ 5 pF R <sub>L</sub> = 100Ω 4/	9	0.50	1.60	ns
			10	0.50	1.70	
			11	0.50	1.50	
Propagation delay time, A, B, C, D, F to Y	t <sub>pLH</sub> , t <sub>pHL</sub> , t <sub>pLL</sub> , t <sub>pHH</sub>	4/	9	0.50	1.70	ns
			10	0.50	1.85	
			11	0.50	1.70	

1/ The quiescent limits are determined after a device has reached thermal equilibrium. This is defined as the reading taken with the device in a socket with > 500 LFPM of +25°C, +125°C or -55°C (as applicable), air blowing on the unit in a transverse direction with power applied for at least four minutes before the reading is taken. This method was used for theoretical limit establishment only. All devices shall be tested to the delta V (rapid test) conditions specified herein. The rapid test method is an equivalent method of testing quiescent conditions.

2/ The high and low level output current varies with temperature and can be calculated using the following formula: I<sub>OH</sub> = (V<sub>OH</sub> - 2 V)/100Ω; I<sub>OL</sub> = (V<sub>OL</sub> - 2 V)/100Ω.

3/ The dc rapid test forcing functions and limits are used for all dc testing. These limits are determined for each device type based on the power dissipation and package type. The rapid test (delta V) limits and forcing functions are skewed allowing rapid testing to be performed at standard temperatures without the addition of delta T's.

4/ The load circuit shall consist of the output under test going through R<sub>L</sub> to GND and through C<sub>L</sub> to the tester. C<sub>L</sub> includes scope probe, wiring, and stray capacitance without the package in the test fixture. t<sub>pLL</sub> shall be measured from the midpoint of a low input to the midpoint of a low output. t<sub>pHH</sub> shall be measured from the midpoint of a high input to the midpoint of a high output. t<sub>pLH</sub> and t<sub>pHL</sub> voltage waveforms shall be in accordance with method 3003 of MIL-STD-883, with threshold voltage points at 50 percent. t<sub>TLH</sub> and t<sub>THL</sub> voltage waveforms shall be in accordance with method 3004 of MIL-STD-883, with measurement points at 20 percent and 80 percent.

3.7 Notification of change. Notification of change to DESC-ECS shall be required in accordance with MIL-STD-883 (see 3.1 herein).

3.8 Verification and review. DESC, DESC's agent, and the acquiring activity retain the option to review the manufacturer's facility and applicable required documentation. Offshore documentation shall be made available onshore at the option of the reviewer.

<b>STANDARDIZED MILITARY DRAWING</b> DEFENSE ELECTRONICS SUPPLY CENTER DAYTON, OHIO 45444	SIZE <b>A</b>	5962-87559
	REVISION LEVEL	SHEET 7





Inputs						Output
A	B	C	D	E	F	Y
L	L	L	X	X	X	L
X	X	X	L	L	L	L
All other combinations						H

L = Low level  
H = High level  
X = Irrelevant

FIGURE 2. Truth table.

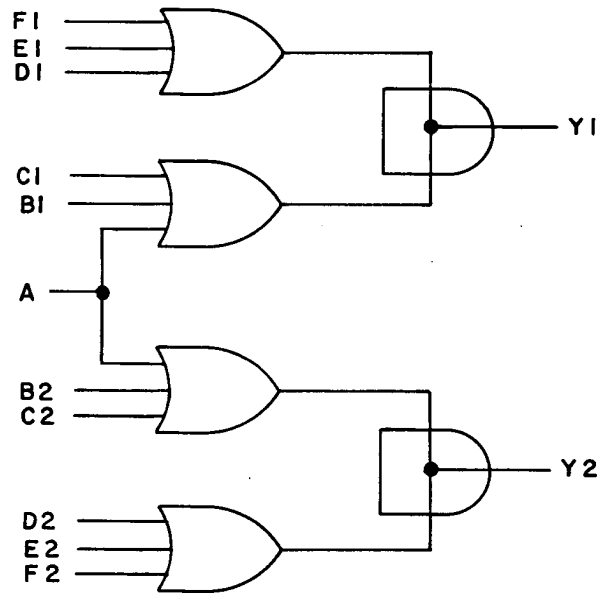


FIGURE 3. Logic diagram.

<b>STANDARDIZED  MILITARY DRAWING</b> DEFENSE ELECTRONICS SUPPLY CENTER DAYTON, OHIO 45444	<b>SIZE</b> <b>A</b>	5962-87559
	<b>REVISION LEVEL</b>	<b>SHEET</b> 9

DESC FORM 193A  
SEP 87

☆ U.S. GOVERNMENT PRINTING OFFICE: 1987-549-096

4. QUALITY ASSURANCE PROVISIONS

4.1 Sampling and inspection. Sampling and inspection procedures shall be in accordance with section 4 of MIL-M-38510 to the extent specified in MIL-STD-883 (see 3.1 herein).

4.2 Screening. Screening shall be in accordance with method 5004 of MIL-STD-883, and shall be conducted on all devices prior to quality conformance inspection. The following additional criteria shall apply:

- a. Burn-in test, method 1015 of MIL-STD-883.
  - (1) Test condition A, B, C, or D using the circuit submitted with the certificate of compliance (see 3.5 herein).
  - (2)  $T_A = +125^\circ\text{C}$ , minimum.
- b. Interim and final electrical test parameters shall be as specified in table II herein, except interim electrical parameter tests prior to burn-in are optional at the discretion of the manufacturer.

TABLE II. Electrical test requirements.

MIL-STD-883 test requirements	Subgroups (per method 5005, table I)
Interim electrical parameters (method 5004)	1
Final electrical test parameters (method 5004)	1*, 2, 3, 7*, 9
Group A test requirements (method 5005)	1, 2, 3, 7, 9, 10, 11
Groups C and D end-point electrical parameters (method 5005)	1, 2, 3

\* PDA applies to subgroups 1 and 7.

4.3 Quality conformance inspection. Quality conformance inspection shall be in accordance with method 5005 of MIL-STD-883 including groups A, B, C, and D inspections. The following additional criteria shall apply.

4.3.1 Group A inspection.

- a. Tests shall be as specified in table II herein.
- b. Subgroups 4, 5, 6, and 8 in table I, method 5005 of MIL-STD-883 shall be omitted.
- c. Subgroup 7 tests shall verify the truth table specified on figure 2 herein.

<b>STANDARDIZED MILITARY DRAWING</b> DEFENSE ELECTRONICS SUPPLY CENTER DAYTON, OHIO 45444	SIZE <b>A</b>		5962-87559
		REVISION LEVEL	SHEET 10

4.3.2 Groups C and D inspections.

- a. End-point electrical parameters shall be as specified in table II herein.
- b. Steady-state life test conditions, method 1005 of MIL-STD-883:
  - (1) Test condition A, B, C, or D using the circuit submitted with the certificate of compliance (see 3.5 herein).
  - (2)  $T_A = +125^{\circ}\text{C}$ , minimum.
  - (3) Test duration: 1,000 hours, except as permitted by method 1005 of MIL-STD-883.

5. PACKAGING

5.1 Packaging requirements. The requirements for packaging shall be in accordance with MIL-M-38510.

6. NOTES

6.1 Intended use. Microcircuits conforming to this drawing are intended for use when military specifications do not exist and qualified military devices that will perform the required function are not available for OEM application. When a military specification exists and the product covered by this drawing has been qualified for listing on QPL-38510, the device specified herein will be inactivated and will not be used for new design. The QPL-38510 product shall be the preferred item for all applications.

6.2 Replaceability. Microcircuits covered by this drawing will replace the same generic device covered by a contractor-prepared specification or drawing.

6.3 Comments. Comments on this drawing should be directed to DESC-ECS, Dayton, Ohio 45444, or telephone 513-296-5375.

<b>STANDARDIZED MILITARY DRAWING</b> DEFENSE ELECTRONICS SUPPLY CENTER DAYTON, OHIO 45444	SIZE <b>A</b>	5962-87559
	REVISION LEVEL	SHEET 11

查询"5962-8755901EA"供应商

6.4 Approved source of supply. An approved source of supply is listed herein. Additional sources will be added as they become available. The vendor listed herein has agreed to this drawing and a certificate of compliance (see 3.5 herein) has been submitted to DESC-ECS.

Military drawing part number	Vendor CAGE number	Vendor similar part number <u>1/</u>
5962-8755901EX	04713	10H518/BEAJC
5962-8755901FX	04713	10H518/BFAJC
5962-87559012X	04713	10H518M/B2AJC

1/ Caution: Do not use this number for item acquisition. Items acquired to this number may not satisfy the performance requirements of this drawing.

Vendor CAGE number

04713

Vendor name and address

Motorola, Incorporated  
7402 South Price Road  
Tempe, AZ 85283

<b>STANDARDIZED MILITARY DRAWING</b> DEFENSE ELECTRONICS SUPPLY CENTER DAYTON, OHIO 45444	SIZE <b>A</b>	5962-87559
	REVISION LEVEL	SHEET 12

DESC FORM 193A  
SEP 87

☆ U.S. GOVERNMENT PRINTING OFFICE: 1987-549-096

011852 \_ \_ \_