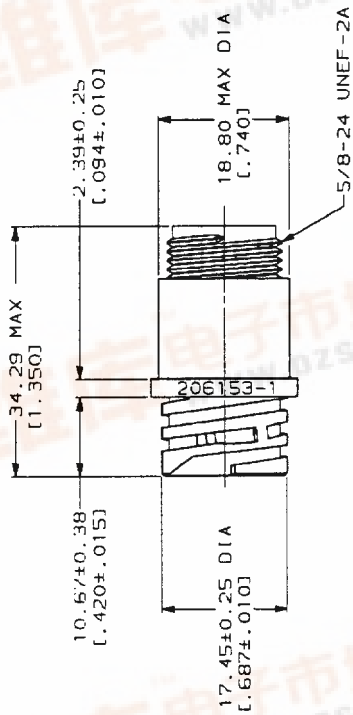
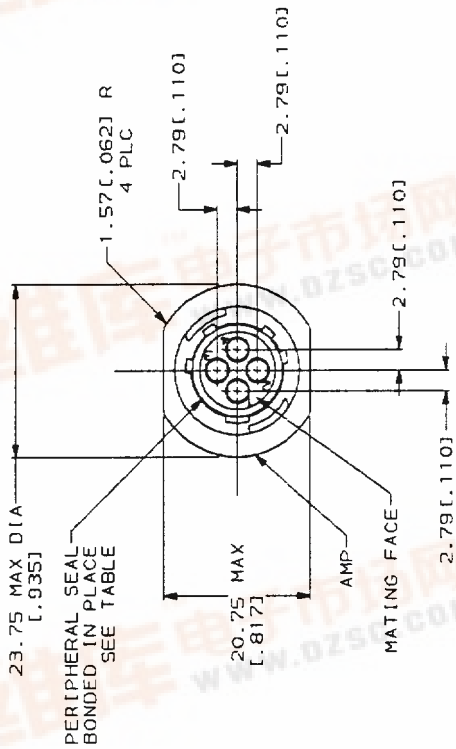


589-639



QTY	LOC	UNIT	REV	DATE	DESCRIPTION
4	BD	35			

ZONE	REV	DATE	DESCRIPTION
G	1	05/20/94	REDRAWN W/O CHANGE PER EC 0020-569-94
G	2	10/17/94	REACTIVATE -2 PER EC 0020-1075-94

查询"206153-1"供应商

维库电子市场网
www.dzsc.com

维库电子市场网
www.dzsc.com

维库电子市场网
www.dzsc.com

维库电子市场网
www.dzsc.com

维库电子市场网
www.dzsc.com

维库电子市场网
www.dzsc.com

YES	206153-2
NO	206153-1
PERIPHERAL SEAL	
AMP Incorporated Harrisburg, PA 17105-3809	
NAME	
RECEPTACLE HOUSING, STANDARD SEX, SHELL SIZE 11, CPC	
SIZE	DRAWING NO
C 00779	C-206153
SCALE	SHEET
2:1	1 OF 1

DR 05/18/94 D-HARDY	DR 05/18/94 D-HARDY
CHK 05/20/94 R-STONE	CHK 05/20/94 R-STONE
APPO 07/12/94 A-FERAMTUM	APPO 07/12/94 A-FERAMTUM
APPO 07/12/94 A-FERAMTUM	APPO 07/12/94 A-FERAMTUM
PRODUCT SPEC 108-10024	PRODUCT SPEC 108-10024
APPLICATION SPEC	APPLICATION SPEC
FINISH	FINISH
NYLON, BLACK	NYLON, BLACK
DO NOT SCALE PRINT. UNLESS SPECIFIED DIMENSIONS IN MM (INCHES)	DO NOT SCALE PRINT. UNLESS SPECIFIED DIMENSIONS IN MM (INCHES)
TOLERANCES ON 2 PLC DEC ± 0.13 (L.005)	TOLERANCES ON 2 PLC DEC ± 0.13 (L.005)
ANGLES DEC ±	ANGLES DEC ±
MATERIAL	MATERIAL
WEIGHT	WEIGHT

1. CAVITY IDENTIFICATION ON FRONT AND REAR FACE.
2. RECEPTACLE WILL ACCEPT FOUR (4) MULTIMATE PIN CONTACTS.

THIS DRAWING IS A CONTROLLED DOCUMENT FOR AMP. THE CONTROLLER FOR THIS DRAWING IS:

CUSTOMER DRAWING

