



查询"B0226-EL"供应商

# Flyback Transformer

for ON Semiconductor  
NCP1030

This flyback transformer was developed specifically for ON Semiconductor's isolated 2 W Bias Supply using the NCP1030, and is specified in Application Note AND8119/D. It is ideal for 48 V telecom and 42 V automotive applications. It features interleaved primary and secondary windings to

minimize leakage inductance. It is designed for 35–76 V input. Isolation is 500 Vrms between the primary and secondary windings and between windings and the core.

To request free evaluation samples, contact Coilcraft or visit [www.coilcraft.com](http://www.coilcraft.com).

Part number <sup>1</sup>	Inductance at 0 Adc <sup>2</sup> ±10% (μH)	Inductance at Ipk <sup>3</sup> min (μH)	DCR max (Ohms)	Leakage Inductance <sup>4</sup> max (μH)	Turns ratio		Ipk <sup>3</sup> (mA)
					pri : sec (7-8)	pri : sec (5-6)	
B0226-EL_	120	102	0.655 (pins 1–4) 0.820 (pins 2–3) 0.248 (pins 7–8) 0.248 (pins 5–6)	0.95	1 : 0.36	1 : 0.36	400

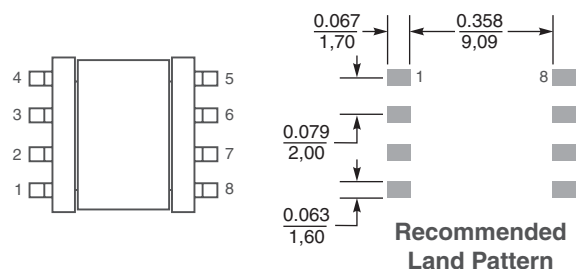
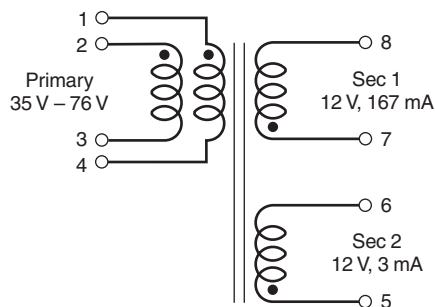
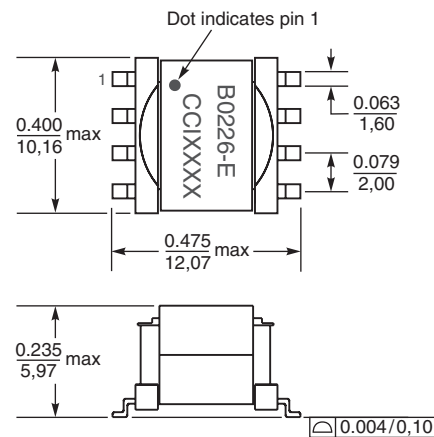
1. When ordering, specify a **packaging** code:

**B0226-EL D**

**Packaging:** D = 13" machine ready reel. EIA-481 embossed plastic tape (600 per full reel).

B = Less than full reel. In tape, but not machine ready. To have a leader and trailer added (\$25 charge), use code letter D instead.

- Inductance is for the primary, measured at 275 kHz, 0.5 Vrms.
- Peak primary current drawn at minimum input voltage.
- Leakage inductance is for the primary winding with the secondary windings shorted.
- Operating temperature range -40°C to +85°C.
- Electrical specifications at 25°C.



**Weight:** 0.96 g

**Terminations:** Tin-silver over nickel over tin over phos bronze

**Tape and reel:** 600/13" reel 24 mm tape width

For packaging data see Tape and Reel Specifications section.

**Coilcraft**<sup>®</sup>

Specifications subject to change without notice.  
Please check our website for latest information.

Document 348 Revised 04/16/09

1102 Silver Lake Road Cary, Illinois 60013 Phone 847/639-6400 Fax 847/639-1469

E-mail [info@coilcraft.com](mailto:info@coilcraft.com) Web <http://www.coilcraft.com>