

REVISIONS												
LTR	DESCRIPTION	DATE (YR-MO-DA)	APPROVED									
A	Change CAGE code to 67268. Add cases B and I. Change to 1.3, V_{1+} and V_{1-} . Changes to table I; V_{CM} , t_{PLH} , t_{PHL} , and delay time between output A and B.	1989 MAR 9	<i>M.A. Lyle</i>									
<h2 style="margin: 0;">CURRENT CAGE CODE 67268</h2>												
REV												
SHEET												
REV												
SHEET												
REV STATUS OF SHEETS	REV	A	A	A	A	A	A	A	A	A	A	A
	SHEET	1	2	3	4	5	6	7	8	9	10	
PMIC N/A	PREPARED BY <i>Charles E. Besore</i>				DEFENSE ELECTRONICS SUPPLY CENTER DAYTON, OHIO 45444							
STANDARDIZED MILITARY DRAWING <small>THIS DRAWING IS AVAILABLE FOR USE BY ALL DEPARTMENTS AND AGENCIES OF THE DEPARTMENT OF DEFENSE</small>	CHECKED BY <i>[Signature]</i>				MICROCIRCUIT, LINEAR, HIGH SPEED, DIFFERENTIAL VOLTAGE COMPARATOR, MONOLITHIC SILICON							
	APPROVED BY <i>[Signature]</i>											
	DRAWING APPROVAL DATE 4 MAY 1987				SIZE A	CAGE CODE 14933	5962-87572					
AMSC N/A	REVISION LEVEL A				SHEET 1 OF 10							

DESC FORM 193-1
SEP 87

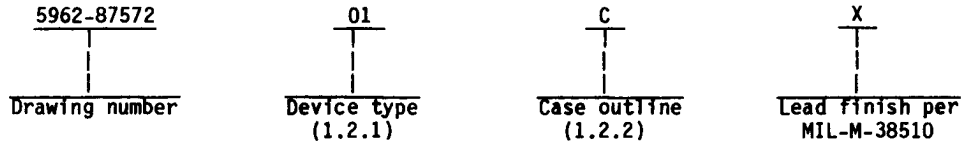
U.S. GOVERNMENT PRINTING OFFICE: 1987 - 748-129/60912
5962-E563

DISTRIBUTION STATEMENT A. Approved for public release; distribution is unlimited.

1. SCOPE

1.1 Scope. This drawing describes device requirements for class B microcircuits in accordance with 1.2.1 of MIL-STD-883, "Provisions for the use of MIL-STD-883 in conjunction with compliant non-JAN devices".

1.2 Part number. The complete part number shall be as shown in the following example:



1.2.1 Device types. The device types shall identify the circuit function as follows:

<u>Device type</u>	<u>Generic number</u>	<u>Circuit function</u>
01	527	High-speed voltage comparator with emitter-follower input
02	529	High-speed voltage comparator
03	LM161	High-speed voltage comparator

1.2.2 Case outlines. The case outlines shall be as designated in appendix C of MIL-M-38510, and as follows:

<u>Outline letter</u>	<u>Case outline</u>
B	F-3 (14 lead, .280" x .200" x .070"), flat package
C	D-1 (14-lead, .785" x .310" x .200"), dual-in-line package
D	F-2 (14-lead, .390" x .260" x .085"), flat package
I	A-2 (10-lead, .370" x .185"), can package

1.3 Absolute maximum ratings.

<u>Positive supply voltage (V₁₊):</u>	
Device types 01 and 02	+15 V dc
Device type 03	+16 V dc
<u>Negative supply voltage (V₁₋):</u>	
Device types 01 and 02	-15 V dc
Device type 03	-16 V dc
Gate supply voltage (V ₂₊)	+7 V dc
Output voltage	+7 V dc
Differential input voltage (V _{IN})	+5 V dc
Input common mode voltage	+6 V dc
Lead temperature (soldering, 60 seconds)	+300°C
Power dissipation (P _D)	600 mW 1/
Junction temperature (T _J)	+150°C
Thermal resistance, junction-to-case (θ _{JC})	See MIL-M-38510, appendix C
Storage temperature range	-65°C to +150°C

1.4 Recommended operating conditions.

<u>Supply voltage:</u>	
V ₁₊	+5 V dc to +10 V dc
V ₁₋	-6 V dc to -10 V dc
V ₂₊	+4.5 V dc to +5.5 V dc
Ambient operating temperature range (T _A)	-55°C to +125°C

1/ Must withstand the added P_D due to short circuit test; e.g., I_{OS}.

STANDARDIZED MILITARY DRAWING DEFENSE ELECTRONICS SUPPLY CENTER DAYTON, OHIO 45444	SIZE A	5962-87572
	REVISION LEVEL A	SHEET 2

2. APPLICABLE DOCUMENTS

2.1 Government specification and standard. Unless otherwise specified, the following specification and standard, of the issue listed in that issue of the Department of Defense Index of Specifications and Standards specified in the solicitation, form a part of this drawing to the extent specified herein.

SPECIFICATION

MILITARY

MIL-M-38510 - Microcircuits, General Specification for.

STANDARD

MILITARY

MIL-STD-883 - Test Methods and Procedures for Microelectronics.

(Copies of the specification and standard required by manufacturers in connection with specific acquisition functions should be obtained from the contracting activity or as directed by the contracting activity.)

2.2 Order of precedence. In the event of a conflict between the text of this drawing and the references cited herein, the text of this drawing shall take precedence.

3. REQUIREMENTS

3.1 Item requirements. The individual item requirements shall be in accordance with 1.2.1 of MIL-STD-883, "Provisions for the use of MIL-STD-883 in conjunction with compliant non-JAN devices" and as specified herein.

3.2 Design, construction, and physical dimensions. The design, construction, and physical dimensions shall be as specified in MIL-M-38510 and herein.

3.2.1 Terminal connections. The terminal connections shall be as specified on figure 1.

3.2.2 Case outlines. The case outlines shall be in accordance with 1.2.2 herein.

3.3 Electrical performance characteristics. Unless otherwise specified, the electrical performance characteristics are as specified in table I and apply over the full ambient operating temperature range.

3.4 Marking. Marking shall be in accordance with MIL-STD-883 (see 3.1 herein). The part shall be marked with the part number listed in 1.2 herein. In addition, the manufacturer's part number may also be marked as listed in 6.4 herein.

3.5 Certificate of compliance. A certificate of compliance shall be required from a manufacturer in order to be listed as an approved source of supply in 6.4. The certificate of compliance submitted to DESC-ECS prior to listing as an approved source of supply shall state that the manufacturer's product meets the requirements of MIL-STD-883 (see 3.1 herein) and the requirements herein.

3.6 Certificate of conformance. A certificate of conformance as required in MIL-STD-883 (see 3.1 herein) shall be provided with each lot of microcircuits delivered to this drawing.

3.7 Notification of change. Notification of change to DESC-ECS shall be required in accordance with MIL-STD-883 (see 3.1 herein).

STANDARDIZED MILITARY DRAWING DEFENSE ELECTRONICS SUPPLY CENTER DAYTON, OHIO 45444	SIZE A		5962-87572
		REVISION LEVEL A	SHEET 3

DESC FORM 193A
SEP 87

TABLE I. Electrical performance characteristics.

Test	Symbol	Conditions 1/ -55°C < T _A < +125°C unless otherwise specified	Device type	Group A subgroups	Limits		Unit
					Min	Max	
Input offset voltage	V _{IO}		01,02	1		4	mV
				2,3		6	
				03	1	3	
					2,3	5	
Input bias current	I _B	V _{IN} = 0 V	01	1		2	μA
				2,3		4	
				02	1	12	
				2,3		36	
				03	1,2,3	20	
Input offset current	I _{I(OFFSET)}		01	1		0.5	μA
				2,3		1	
				02	1	3	
				2,3		9	
				03	1	4	
				2,3		8	
Common mode voltage range	V _{CM}		01,02	1,2,3	±5		V
High level output voltage (LOGIC)	V _{OH}	V ₂₊ = 4.5 V I _{SOURCE} = -1 mA	A11	1,2,3	2.4		V
Low level output voltage (LOGIC)	V _{OL}	V ₂₊ = 4.5 V I _{SINK} = 10 mA	A11	1,2,3		0.5	V
High level input voltage (STROBE)	V _{IH}	V ₂₊ = 4.5 V	A11	1	2		V
				2,3	2.4		
Low level input voltage (STROBE)	V _{IL}	V ₂₊ = 4.5 V	A11	1,2,3		0.8	
High level input current (STROBE)	I _{IH}	V ₂₊ = 5.5 V V _{STROBE} = 2.7 V	A11	1,2,3		200	μA
Low level input current (STROBE)	I _{IL}	V ₂₊ = 5.5 V V _{STROBE} = 0.4 V	A11	1,2,3		-2	mA

See footnote at end of table.

STANDARDIZED MILITARY DRAWING DEFENSE ELECTRONICS SUPPLY CENTER DAYTON, OHIO 45444	SIZE A	5962-87572
	REVISION LEVEL A	SHEET 4

DESC FORM 193A
SEP 87

* U. S. GOVERNMENT PRINTING OFFICE: 1988-549-904

TABLE 1. Electrical performance characteristics - Continued.

Test	Symbol	Conditions 1/ -55°C < T _A < +125°C unless otherwise specified	Device type	Group A subgroups	Limits		Unit
					Min	Max	
Output short circuit current	I _{OS}	V ₂₊ = 5.5 V, V _{OUT} = 0 V	A11	1,2,3		-70	mA
Supply current	I ₁₊ I ₁₋ I ₂₊	V ₁₊ = 10 V, V ₁₋ = -10 V, V ₂₊ = 5.5 V	A11	1,2,3		5 -10 20	mA
Input clamp voltage (STROBE)	V _{IC}	V ₂₊ = 5.5 V, I _{IN} = -18 mA	A11	1,2,3		-1.5	V
Propagation delay time	t _{PLH}	V _{IN} = ±100 mV step, C _L = 15 pF, T _A = +25°C, see figure 2, 2/	01 02 03	9		26 22 20	ns
	t _{PHL}		01 02 03			24 20 20	
Delay time between output A and B			A11	9		5	ns

1/ V₁₊ = +10 V, V₁₋ = -10 V, V₂₊ = +5 V, unless otherwise specified.
 2/ For device types 01 and 02, R₄ = 390Ω. For device type 03, R₄ = 2.43 kΩ.

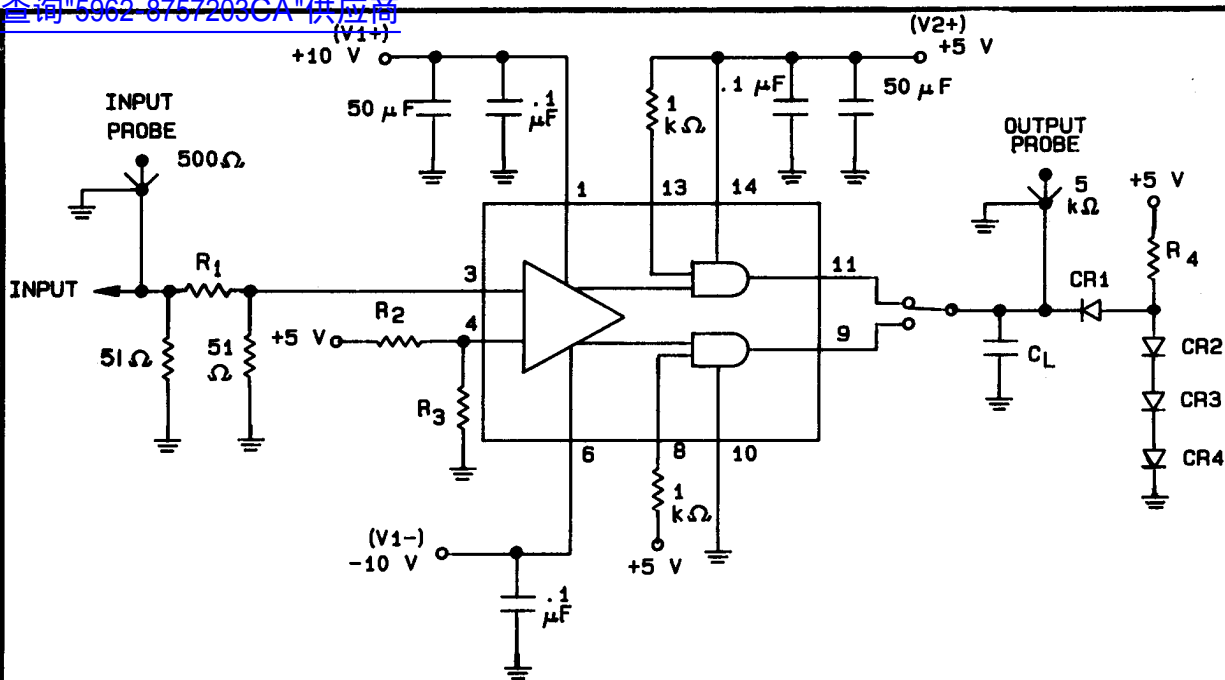
STANDARDIZED MILITARY DRAWING DEFENSE ELECTRONICS SUPPLY CENTER DAYTON, OHIO 45444	SIZE A	5962-87572
	REVISION LEVEL A	SHEET 5

Device types	01 and 02	03	
Case outlines	C and D	B and C	I
Terminal number	Terminal symbol		
1	V ₁ ⁺	V ₁ ⁺	INPUT A
2	NC	NC	INPUT B
3	INPUT A	INPUT A	V ₁ ⁻
4	INPUT B	INPUT B	STROBE B
5	NC	NC	OUTPUT B
6	V ₁ ⁻	V ₁ ⁻	GND
7	NC	NC	OUTPUT A
8	STROBE B	STROBE B	STROBE A
9	OUTPUT B	OUTPUT B	V ₂ ⁺
10	GND	GND	V ₁ ⁺
11	OUTPUT A	OUTPUT A	---
12	NC	NC	---
13	STROBE A	STROBE A	---
14	V ₂ ⁺	V ₂ ⁺	---

NC = no connection

FIGURE 1. Terminal connections.

STANDARDIZED MILITARY DRAWING DEFENSE ELECTRONICS SUPPLY CENTER DAYTON, OHIO 45444	SIZE A		5962-87572
		REVISION LEVEL A	SHEET 6



PIN NUMBERS REFER TO CASES B, C, AND D
 CR1 - CR4 = 1N94
 R1 SELECTED FOR 15: 1 DIVIDER
 R2 AND R3 SELECTED FOR 100 mV AT PIN 4

INPUT
 PRR = 1 MHz
 Pw = 50 ns
 tr = tf = 2 ns
 INPUT = 3.00 V

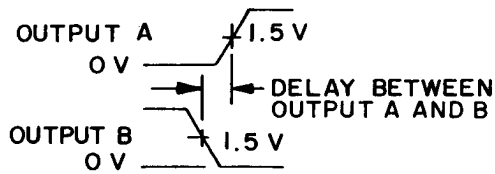
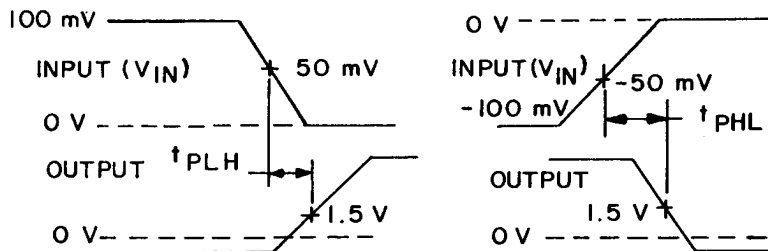


FIGURE 2. Switching time test circuit and waveforms.

STANDARDIZED MILITARY DRAWING DEFENSE ELECTRONICS SUPPLY CENTER DAYTON, OHIO 45444	SIZE A	5962-87572	
		REVISION LEVEL A	SHEET 7

3.8 Verification and review. DESC, DESC's agent, and the acquiring activity retain the option to review the manufacturer's facility and applicable required documentation. Offshore documentation shall be made available onshore at the option of the reviewer.

4. QUALITY ASSURANCE PROVISIONS

4.1 Sampling and inspection. Sampling and inspection procedures shall be in accordance with section 4 of MIL-M-38510 to the extent specified in MIL-STD-883 (see 3.1 herein).

4.2 Screening. Screening shall be in accordance with method 5004 of MIL-STD-883, and shall be conducted on all devices prior to quality conformance inspection. The following additional criteria shall apply:

a. Burn-in test, method 1015 of MIL-STD-883.

(1) Test condition A, B, C, or D using the circuit submitted with the certificate of compliance (see 3.5 herein).

(2) $T_A = +125^\circ\text{C}$, minimum.

b. Interim and final electrical test parameters shall be as specified in table II herein, except interim electrical parameter tests prior to burn-in are optional at the discretion of the manufacturer.

4.3 Quality conformance inspection. Quality conformance inspection shall be in accordance with method 5005 of MIL-STD-883 including groups A, B, C, and D inspections. The following additional criteria shall apply.

4.3.1 Group A inspection.

a. Tests shall be as specified in table II herein.

b. Subgroups 4, 5, 6, 7, 8, 10, and 11 in table I, method 5005 of MIL-STD-883 shall be omitted.

4.3.2 Groups C and D inspections.

a. End-point electrical parameters shall be as specified in table II herein.

b. Steady-state life test conditions, method 1005 of MIL-STD-883.

(1) Test condition A, B, C, or D using the circuit submitted with the certificate of compliance (see 3.5 herein).

(2) $T_A = +125^\circ\text{C}$, minimum.

(3) Test duration: 1,000 hours, except as permitted by method 1005 of MIL-STD-883.

STANDARDIZED MILITARY DRAWING DEFENSE ELECTRONICS SUPPLY CENTER DAYTON, OHIO 45444	SIZE A	5962-87572
	REVISION LEVEL A	SHEET 8

TABLE II. Electrical test requirements.

MIL-STD-883 test requirements	Subgroups (per method 5005, table I)
Interim electrical parameters (method 5004)	---
Final electrical test parameters (method 5004)	1*, 2, 3, 9
Group A test requirements (method 5005)	1, 2, 3, 9
Groups C and D end-point electrical parameters (method 5005)	1

*PDA applies to subgroup 1.

5. PACKAGING

5.1 Packaging requirements. The requirements for packaging shall be in accordance with MIL-M-38510.

6. NOTES

6.1 Intended use. Microcircuits conforming to this drawing are intended for use when military specifications do not exist and qualified military devices that will perform the required function are not available for OEM application. When a military specification exists and the product covered by this drawing has been qualified for listing on QPL-38510, the device specified herein will be inactivated and will not be used for new design. The QPL-38510 product shall be the preferred item for all applications.

6.2 Replaceability. Microcircuits covered by this drawing will replace the same generic device covered by a contractor-prepared specification or drawing.

6.3 Comments. Comments on this drawing should be directed to DESC-ECS, Dayton, Ohio 45444, or telephone 513-296-5375.

STANDARDIZED MILITARY DRAWING DEFENSE ELECTRONICS SUPPLY CENTER DAYTON, OHIO 45444	SIZE A		5962-87572
		REVISION LEVEL A	SHEET 9

查询"5962-8757203CA"供应商

6.4 Approved sources of supply. Approved sources of supply are listed herein. Additional sources will be added as they become available. The vendors listed herein have agreed to this drawing and a certificate of compliance (see 3.5 herein) has been submitted to DESC-ECS.

Military drawing part number	Vendor CAGE number	Vendor similar part number <u>1/</u>
5962-8757201CX	18324	527/BCA
5962-8757201DX	18324	527/BDA
5962-8757202CX	18324	529/BCA
5962-8757202DX	18324	529/BDA
5962-8757203CX	27014	LM161J/883B
5962-8757203BX	27014	LM161F/883B
5962-8757203IX	27014	LM161H/883B

1/ Caution. Do not use this number for item acquisition. Items acquired to this number may not satisfy the performance requirements of this drawing.

Vendor CAGE number

18324

27014

Vendor name and address

Signetics Corporation
4130 South Market Street
Sacramento, CA 95834

National Semiconductor
2900 Semiconductor Drive
Santa Clara, CA 95051

STANDARDIZED MILITARY DRAWING DEFENSE ELECTRONICS SUPPLY CENTER DAYTON, OHIO 45444	SIZE A		5962-87572
		REVISION LEVEL A	SHEET 10

DESC FORM 193A
SEP 87

* U. S. GOVERNMENT PRINTING OFFICE: 1988-549-904

011796 - - -