

REVISIONS			
LTR	DESCRIPTION	DATE (YR-MO-DA)	APPROVED
A	Add Appendix A for microcircuit die. - ro	98-05-29	R. MONNIN
B	Make changes to boilerplate to add class T devices. - ro	98-12-03	R. MONNIN



REV																				
SHEET																				
REV	B	B	B	B	B	B	B													
SHEET	15	16	17	18	19	20	21													
REV STATUS OF SHEETS	REV			B	B	B	B	B	B	B	B	B	B	B	B	B	B	B	B	
	SHEET			1	2	3	4	5	6	7	8	9	10	11	12	13	14	14		
PMIC N/A	PREPARED BY DAN WONNELL							DEFENSE SUPPLY CENTER COLUMBUS COLUMBUS, OHIO 43216												
STANDARD MICROCIRCUIT DRAWING THIS DRAWING IS AVAILABLE FOR USE BY ALL DEPARTMENTS AND AGENCIES OF THE DEPARTMENT OF DEFENSE AMSC N/A	CHECKED BY SANDRA ROONEY																			
	APPROVED BY MICHAEL A. FRYE																			
	DRAWING APPROVAL DATE 96-02-05																			
	REVISION LEVEL B																			
							SIZE A	CAGE CODE 67268	5962-96755											
							SHEET 1 OF 21													

DSCC FORM 2233
APR 97

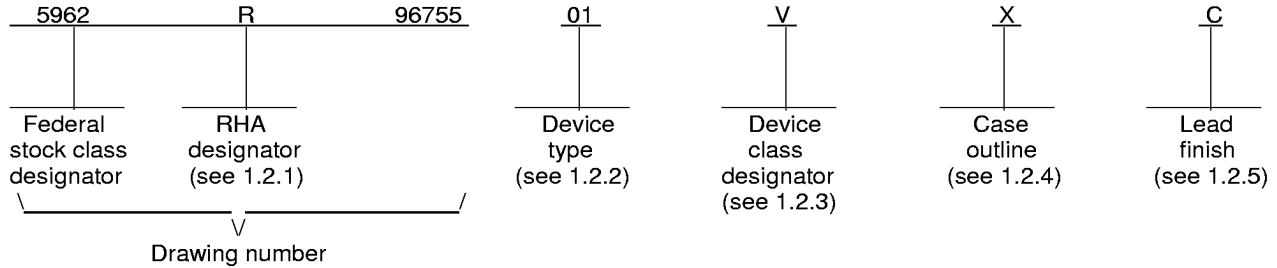
DISTRIBUTION STATEMENT A. Approved for public release; distribution is unlimited.

5962-E384-98

1. SCOPE
[查询"5962R9675501TJC"供应商](#)

1.1 Scope. This drawing documents three product assurance class levels consisting of high reliability (device classes Q and M), space application (device class V) and for appropriate satellite and similar applications (device class T). A choice of case outlines and lead finishes are available and are reflected in the Part or Identifying Number (PIN). When available, a choice of Radiation Hardness Assurance (RHA) levels are reflected in the PIN. For device class T, the user is encouraged to review the manufacturer's Quality Management (QM) plan as part of their evaluation of these parts and their acceptability in the intended application.

1.2 PIN. The PIN is as shown in the following example:



1.2.1 RHA designator. Device classes Q, T and V RHA marked devices meet the MIL-PRF-38535 specified RHA levels and are marked with the appropriate RHA designator. Device class M RHA marked devices meet the MIL-PRF-38535, appendix A specified RHA levels and are marked with the appropriate RHA designator. A dash (-) indicates a non-RHA device.

1.2.2 Device type(s). The device type(s) identify the circuit function as follows:

<u>Device type</u>	<u>Generic number</u>	<u>Circuit function</u>
01	HS-565ARH	Radiation hardened, dielectrically isolated, high speed, 12-bit, digital-to-analog converter, with current output

1.2.3 Device class designator. The device class designator is a single letter identifying the product assurance level as follows:

<u>Device class</u>	<u>Device requirements documentation</u>
M	Vendor self-certification to the requirements for MIL-STD-883 compliant, non-JAN class level B microcircuits in accordance with MIL-PRF-38535, appendix A
Q, V	Certification and qualification to MIL-PRF-38535
T	Certification and qualification to MIL-PRF-38535 with performance as specified in the device manufacturers approved quality management plan.

1.2.4 Case outline(s). The case outline(s) are as designated in MIL-STD-1835 and as follows:

<u>Outline letter</u>	<u>Descriptive designator</u>	<u>Terminals</u>	<u>Package style</u>
J	CDIP2-T24	24	Dual-in-line
X	CDFP4-F24	24	Flat pack

1.2.5 Lead finish. The lead finish is as specified in MIL-PRF-38535 for device classes Q, T and V or MIL-PRF-38535, appendix A for device class M.

STANDARD MICROCIRCUIT DRAWING DEFENSE SUPPLY CENTER COLUMBUS COLUMBUS, OHIO 43216-5000	SIZE A		5962-96755
		REVISION LEVEL B	SHEET 2

1.3 Absolute maximum ratings. 1/
[查询 5962R9675501TIC 供应商](#)

V _{CC} to power ground	0 V to +18 V
V _{EE} to power ground	0 V to -18 V
Voltage on DAC output (pin 9).....	-3 V to +12 V
Digital input (pin 13 - 24) to power ground	-1 V to +7 V
REF IN to REF GND.....	±12 V
Bipolar offset to REF GND	±12 V
10 V SPAN R to REF GND.....	±12 V
20 V SPAN R to REF GND.....	±24 V
Maximum package power dissipation (T _A = +125°C): 2/	
Case outline J	0.83 W
Case outline X	0.62 W
Junction temperature (T _J).....	+175°C
Storage temperature range	-65°C to +150°C
Lead temperature (soldering, 10 seconds).....	+300°C
Thermal resistance, junction-to-case (θ _{JC}):	
Case outline J	17°C/W
Case outline X	15°C/W
Thermal resistance, junction-to-ambient (θ _{JA}):	
Case outline J	60°C/W
Case outline X	80°C/W

1.4 Recommended operating conditions.

Positive supply voltage range (V _{CC})	+11.4 V to +16.5 V
Negative supply voltage range (V _{EE})	-11.4 V to -16.5 V
Digital input low voltage range.....	0 V to +0.8 V
Digital input high voltage range	+2.0 V to +5.5 V
Ambient operating temperature range (T _A).....	-55°C to +125°C

1.5 Radiation features.

Neutron.....	3/
Total dose (dose rate = 50 – 300 Krads/s).....	> 100 Krads (SI)
Latch up.....	None 4/

2. APPLICABLE DOCUMENTS

2.1 Government specification, standards, and handbooks. The following specification, standards, and handbooks form a part of this drawing to the extent specified herein. Unless otherwise specified, the issues of these documents are those listed in the issue of the Department of Defense Index of Specifications and Standards (DoDISS) and supplement thereto, cited in the solicitation.

SPECIFICATION

DEPARTMENT OF DEFENSE

MIL-PRF-38535 - Integrated Circuits, Manufacturing, General Specification for.

- 1/ Stresses above the absolute maximum rating may cause permanent damage to the device. Extended operation at the maximum levels may degrade performance and affect reliability.
- 2/ If the power exceeds package dissipation capability, provide heat sinking or derate linearity at the following rate (the derating is based on θ_{JA}): case outline J use 16.67 mW/°C and case outline X use 12.5 mW/°C
- 3/ Value to be specified when testing is completed.
- 4/ Guaranteed by process or design.

STANDARD MICROCIRCUIT DRAWING DEFENSE SUPPLY CENTER COLUMBUS COLUMBUS, OHIO 43216-5000	SIZE A		5962-96755
		REVISION LEVEL B	SHEET 3

DSCC FORM 2234
APR 97

STANDARDS

[查询"5962R9675501TJC"供应商](#)

DEPARTMENT OF DEFENSE

- MIL-STD-883 - Test Method Standard Microcircuits.
- MIL-STD-973 - Configuration Management.
- MIL-STD-1835 - Interface Standard For Microcircuit Case Outlines.

HANDBOOKS

DEPARTMENT OF DEFENSE

- MIL-HDBK-103 - List of Standard Microcircuit Drawings (SMD's).
- MIL-HDBK-780 - Standard Microcircuit Drawings.

(Unless otherwise indicated, copies of the specification, standards, and handbooks are available from the Standardization Document Order Desk, 700 Robbins Avenue, Building 4D, Philadelphia, PA 19111-5094.)

2.2 Order of precedence. In the event of a conflict between the text of this drawing and the references cited herein, the text of this drawing takes precedence. Nothing in this document, however, supersedes applicable laws and regulations unless a specific exemption has been obtained.

3. REQUIREMENTS

3.1 Item requirements. The individual item requirements for device classes Q, T and V shall be in accordance with MIL-PRF-38535 and as specified herein or as modified in the device manufacturer's Quality Management (QM) plan. The modification in the QM plan shall not affect the form, fit, or function as described herein. The individual item requirements for device class M shall be in accordance with MIL-PRF-38535, appendix A for and as specified herein.

3.1.1 Microcircuit die. For the requirements for microcircuit die, see appendix A to this document.

3.2 Design, construction, and physical dimensions. The design, construction, and physical dimensions shall be as specified in MIL-PRF-38535 and herein for device classes Q, T and V or MIL-PRF-38535, appendix A and herein for device class M.

3.2.1 Case outline(s). The case outline(s) shall be in accordance with 1.2.4 herein.

3.2.2 Terminal connections. The terminal connections shall be as specified on figure 1.

3.2.3 Calibration diagram(s). The calibration diagram(s) shall be as specified on figures 2, 3, and 4.

3.2.4 Radiation exposure circuit. The radiation exposure circuit shall be as specified in table III.

3.3 Electrical performance characteristics and postirradiation parameter limits. Unless otherwise specified herein, the electrical performance characteristics and postirradiation parameter limits are as specified in table I and shall apply over the full ambient operating temperature range.

3.4 Electrical test requirements. The electrical test requirements shall be the subgroups specified in table IIA. The electrical tests for each subgroup are defined in table I.

3.5 Marking. The part shall be marked with the PIN listed in 1.2 herein. In addition, the manufacturer's PIN may also be marked as listed in MIL-HDBK-103. For packages where marking of the entire SMD PIN number is not feasible due to space limitations, the manufacturer has the option of not marking the "5962-" on the device. For RHA product using this option, the RHA designator shall still be marked. Marking for device classes Q, T and V shall be in accordance with MIL-PRF-38535. Marking for device class M shall be in accordance with MIL-PRF-38535, appendix A.

STANDARD MICROCIRCUIT DRAWING DEFENSE SUPPLY CENTER COLUMBUS COLUMBUS, OHIO 43216-5000	SIZE A		5962-96755
		REVISION LEVEL B	SHEET 4

DSCC FORM 2234
APR 97

TABLE I. Electrical performance characteristics.

Test	Symbol	Conditions ^{1/} -55°C ≤ T _A ≤ +125°C V _{CC} = +15 V, V _{EE} = -15 V V _{SSD} = V _{SSA} = 0 V unless otherwise specified	Group A subgroups	Device type	Limits		Unit
					Min	Max	
Resolution			1,2,3	01		12	Bits
Accuracy	I _{LE}	Error relative to full scale	1,2,3	01		±0.75	LSB
			M,D,L,R		1		
Digital input high current	I _{IH}	V _{IN} = 5.5 V	1,2,3	01		+1.0	μA
Digital input low current	I _{IL}	V _{IN} = 0 V	1,2,3	01	-20		μA
			M,D,L,R		1	-40	
Digital input high voltage	V _{IH}	^{2/}	1,2,3	01	2.0		V
			M,D,L,R		1	2.5	
Digital input low voltage	V _{IL}	^{2/}	1,2,3	01		0.8	V
			M,D,L,R		1		
Differential nonlinearity	DLE	Monotonicity guaranteed	1,2,3	01		±0.50	LSB
			M,D,L,R		1		
Positive supply current	I _{CC}		1,2,3	01		+11.8	mA
Negative supply current	I _{EE}		1,2,3	01	-14.5		mA
Reference output voltage	REF OUT		1,2,3	01	9.9	10.1	V
Reference output current	I _{REF}	Available for external loads	1,2,3	01	1.5		mA
Output current unipolar	I _{OUT1}	All bits on	1,2,3	01	-1.6	-2.4	mA
Output current bipolar	I _{OUT2}	All bits on or off	1,2,3	01	±0.8	±1.2	mA
Output offset error unipolar	VOS	R ₂ = 50 Ω fixed, see figure 2	1,2,3	01		±0.05	% of F.S.
Output offset error bipolar	BPOE	R ₃ , R ₄ = 50 Ω fixed see figure 3	1,2,3	01		±0.15	% of F.S.
			M,D,L,R		1		

See footnotes at end of table.

STANDARD MICROCIRCUIT DRAWING DEFENSE SUPPLY CENTER COLUMBUS COLUMBUS, OHIO 43216-5000	SIZE A		5962-96755
		REVISION LEVEL B	SHEET 5

TABLE I. Electrical performance characteristics - Continued.

Test	Symbol	Conditions <u>1/</u> -55°C ≤ T _A ≤ +125°C V _{CC} = +15 V, V _{EE} = -15 V V _{SSD} = V _{SSA} = 0 V unless otherwise specified	Group A subgroups	Device type	Limits		Unit
					Min	Max	
Power supply gain <u>3/</u> sensitivity	+PSS		1,2,3	01		10	ppm of FS %ΔV _{CC}
	-PSS					25	ppm of FS %ΔV _{EE}
Temperature coefficient <u>4/</u> unipolar zero	U _{tempo}	With internal reference	1,2,3	01		2	ppm/°C
Temperature coefficient <u>4/</u> bipolar zero	B _{tempo}	With internal reference	1,2,3	01		20	ppm/°C
Temperature coefficient <u>4/</u> gain (full scale)	G _{tempo}	With internal reference	1,2,3	01		50	ppm/°C
Full scale error unipolar	AE	R2 = 50 Ω fixed see figure 2	1,2,3	01		±0.25	% of F.S.
			M,D,L,R		1		
Full scale error bipolar	BPAE	R3, R4 = 50 Ω fixed see figure 3	1,2,3	01		±0.25	% of F.S.
			M,D,L,R		1		
Zero error bipolar	BPZE	R3, R4 = 50 Ω fixed see figure 3	1,2,3	01		±0.10	% of F.S.
			M,D,L,R		1		
Output compliance voltage	V _{OC}	<u>5/</u>	1,2,3	01	-1.5	10	V
Programmable output voltage range	V _{OR}	See figures 2, 3, and 4 <u>5/</u>	1,2,3	01	0	5	V
					-2.5	2.5	
					0	10	
					-5	5	
					-10	10	
Gain adjustment range	G _{ADJ}	<u>5/</u>	1,2,3	01	±0.25		% of F.S.
Bipolar zero adjustment range	BZ _{ADJ}	<u>5/</u>	1,2,3	01	±0.15		% of F.S.
Reference input impedance	R _{REF}	<u>5/</u>	1,2,3	01	15	25	kΩ
Output resistance	R _{OUT}	Exclusive of span <u>5/</u> resistors	1,2,3	01	1.8	3.2	kΩ

See footnotes at end of table.

STANDARD MICROCIRCUIT DRAWING DEFENSE SUPPLY CENTER COLUMBUS COLUMBUS, OHIO 43216-5000	SIZE A		5962-96755
		REVISION LEVEL B	SHEET 6

TABLE I. Electrical performance characteristics - Continued.

Test	Symbol	Conditions <u>1/</u> -55°C ≤ T _A ≤ +125°C V _{CC} = +15 V, V _{EE} = -15 V V _{SSD} = V _{SSA} = 0 V unless otherwise specified	Group A subgroups	Device type	Limits		Unit
					Min	Max	
Settling time	TS1	High Z external load <u>5/</u>	9,10,11	01		500	ns
	TS2	75 Ω external load <u>5/</u>				250	
Full scale transition rise time	t _R	<u>5/</u>	9,10,11	01		30	ns
Full scale transition fall time	t _F	<u>5/</u>	9,10,11	01		60	ns

1/ Devices supplied to this drawing meet all levels M, D, L and R of irradiation however this device is only tested at the "R" level (see 1.5 herein). Pre and post irradiation values are identical unless otherwise specified in table I. When performing post irradiation electrical measurements for any RHA level, T_A = +25°C.

2/ This parameter is an applied condition of test.

3/ PSS is tested in reference to a V_{CC} = +15 V and V_{EE} = -15 V.

4/ Test shall be performed only at final electrical test.

5/ These tests are controlled via design and are not directly tested. These parameters are characterized on initial design release and upon design changes which affect these characteristics.

3.5.1 Certification/compliance mark. The certification mark for device classes Q, T and V shall be a "QML" or "Q" as required in MIL-PRF-38535. The compliance mark for device class M shall be a "C" as required in MIL-PRF-38535, appendix A.

3.6 Certificate of compliance. For device classes Q, T and V, a certificate of compliance shall be required from a QML-38535 listed manufacturer in order to supply to the requirements of this drawing (see 6.6.1 herein). For device class M, a certificate of compliance shall be required from a manufacturer in order to be listed as an approved source of supply in MIL-HDBK-103 (see 6.6.2 herein). The certificate of compliance submitted to DSCC-VA prior to listing as an approved source of supply for this drawing shall affirm that the manufacturer's product meets, for device classes Q, T and V, the requirements of MIL-PRF-38535 and herein or for device class M, the requirements of MIL-PRF-38535, appendix A and herein.

3.7 Certificate of conformance. A certificate of conformance as required for device classes Q, T and V in MIL-PRF-38535 or for device class M in MIL-PRF-38535, appendix A shall be provided with each lot of microcircuits delivered to this drawing.

3.8 Notification of change for device class M. For device class M, notification to DSCC-VA of change of product (see 6.2 herein) involving devices acquired to this drawing is required for any change as defined in MIL-STD-973.

3.9 Verification and review for device class M. For device class M, DSCC, DSCC's agent, and the acquiring activity retain the option to review the manufacturer's facility and applicable required documentation. Offshore documentation shall be made available onshore at the option of the reviewer.

3.10 Microcircuit group assignment for device class M. Device class M devices covered by this drawing shall be in microcircuit group number 56 (see MIL-PRF-38535, appendix A).

STANDARD MICROCIRCUIT DRAWING DEFENSE SUPPLY CENTER COLUMBUS COLUMBUS, OHIO 43216-5000	SIZE A		5962-96755
		REVISION LEVEL B	SHEET 7

Device type	01
Case outlines	J and X
Terminal number	Terminal symbol
1	NC
2	NC
3	V _{CC}
4	REF OUT
5	REF GND
6	REF IN
7	-V _{EE}
8	BIPOLAR RIN
9	IDAC OUT
10	10 V SPAN
11	20 V SPAN
12	PWR GND
13	BIT 12 IN (LSB)
14	BIT 11 IN
15	BIT 10 IN
16	BIT 9 IN
17	BIT 8 IN
18	BIT 7 IN
19	BIT 6 IN
20	BIT 5 IN
21	BIT 4 IN
22	BIT 3 IN
23	BIT 2 IN
24	BIT 1 IN (MSB)

FIGURE 1. Terminal connections.

STANDARD MICROCIRCUIT DRAWING DEFENSE SUPPLY CENTER COLUMBUS COLUMBUS, OHIO 43216-5000	SIZE A		5962-96755
		REVISION LEVEL B	SHEET 8

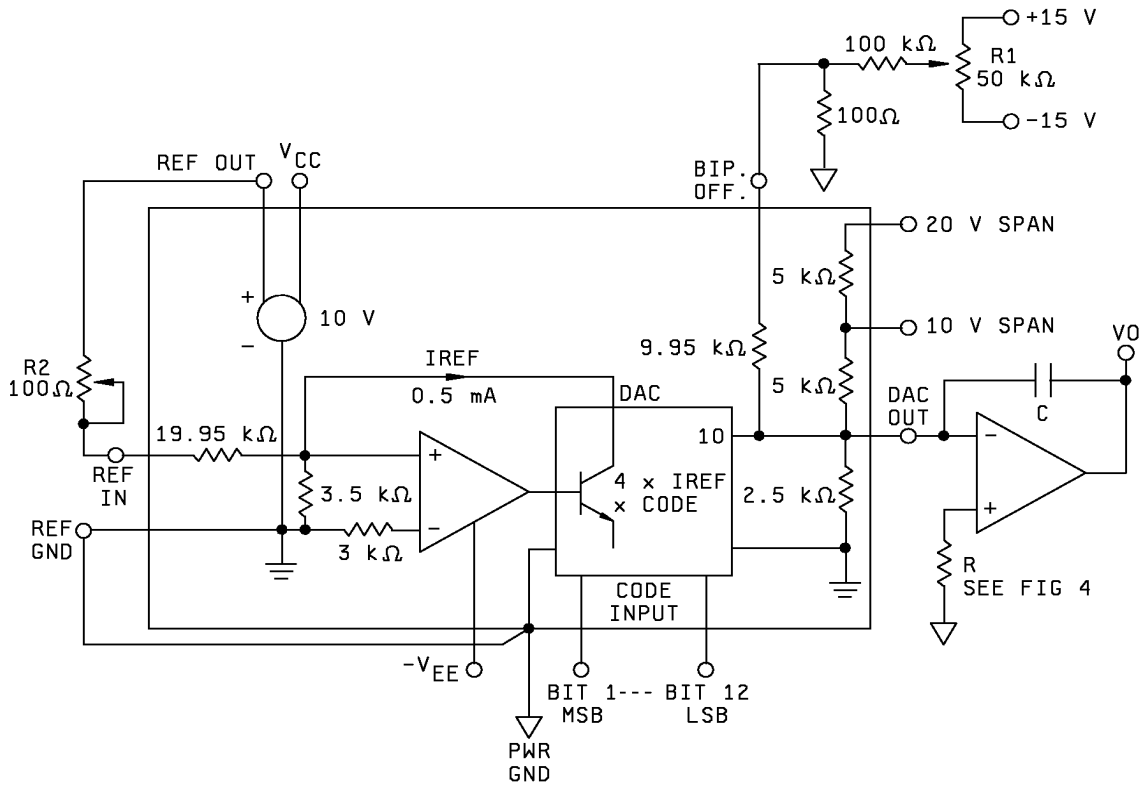


FIGURE 2. Calibration circuit, unipolar voltage output.

<p align="center">STANDARD MICROCIRCUIT DRAWING</p> <p>DEFENSE SUPPLY CENTER COLUMBUS COLUMBUS, OHIO 43216-5000</p>	<p align="center">SIZE A</p>		<p align="center">5962-96755</p>
		<p align="center">REVISION LEVEL B</p>	<p align="center">SHEET 9</p>

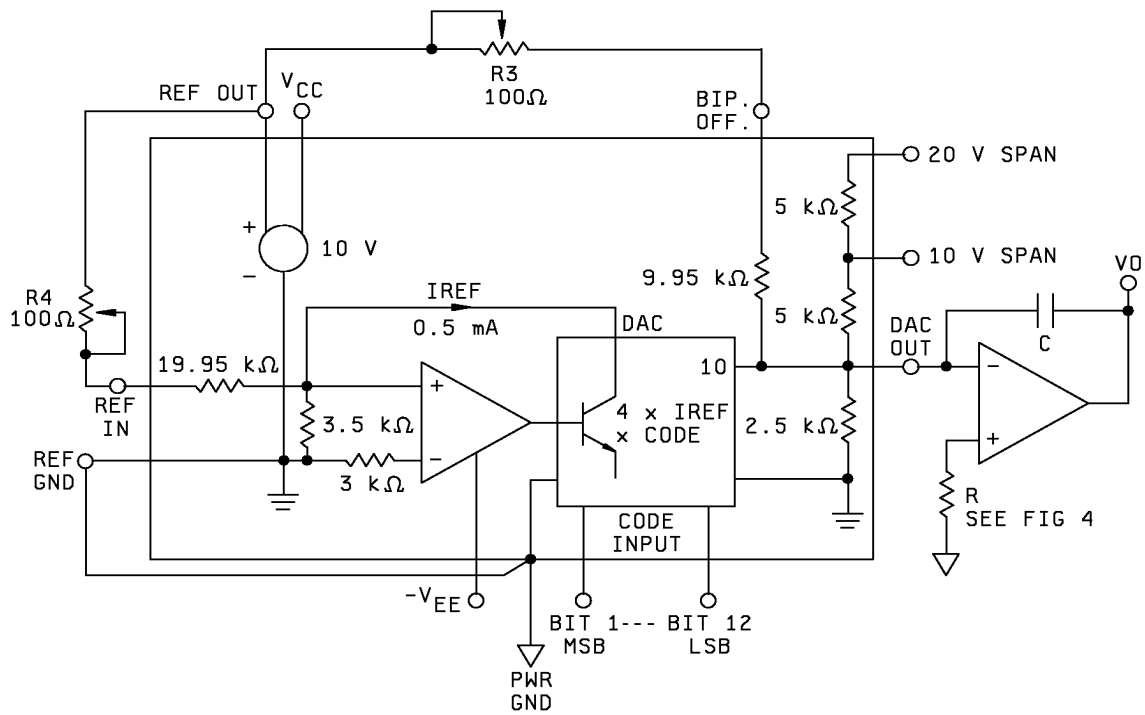


FIGURE 3. Calibration circuit, bipolar voltage output.

STANDARD MICROCIRCUIT DRAWING DEFENSE SUPPLY CENTER COLUMBUS COLUMBUS, OHIO 43216-5000	SIZE A		5962-96755
		REVISION LEVEL B	SHEET 10

Mode	Circuit connections				Calibration		
	Output range	Pin 10 to	Pin 11 to	Resistor (R)	Apply input code	Adjust	To set VO
Unipolar (see figure 2)	0 V to +10 V	VO	Pin 10	1.43 kΩ	All 0's All 1's	R1 R2	0 V +9.99756 V
	0 V to +5 V	VO	Pin 9	1.1 kΩ	All 0's All 1's	R1 R2	0 V +4.99878 V
Bipolar (see figure 3)	±10 V	NC	VO	1.69 kΩ	All 0's All 1's	R3 R4	-10 V +9.99512 V
	±5 V	VO	Pin 10	1.43 kΩ	All 0's All 1's	R3 R4	-5 V +4.99756 V
	±2.5 V	VO	Pin 9	1.1 kΩ	All 0's All 1's	R3 R4	-2.5 V +2.49878 V

FIGURE 4. Operations modes and calibration.

STANDARD MICROCIRCUIT DRAWING DEFENSE SUPPLY CENTER COLUMBUS COLUMBUS, OHIO 43216-5000	SIZE A		5962-96755
		REVISION LEVEL B	SHEET 11

4. QUALITY ASSURANCE PROVISIONS

[查询"5962R9675501TJC"供应商](#)

4.1 Sampling and inspection. For device classes Q and V, sampling and inspection procedures shall be in accordance with MIL-PRF-38535 or as modified in the device manufacturer's (QM) plan, including screening (4.2), qualification (4.3), and conformance inspection (4.4). The modification in the QM plan shall not affect the form, fit, or function as described herein.

For device class T, sampling and inspection procedures shall be in accordance with MIL-PRF-38535 or as modified in the device manufacturer's (QM) plan, including screening, qualification, and conformance inspection. The performance envelope and reliability information shall be as specified in the manufacturer's QM plan.

For device class M, sampling and inspection procedures shall be in accordance with MIL-PRF-38535, appendix A.

4.2 Screening. For device classes Q and V, screening shall be in accordance with MIL-PRF-38535, and shall be conducted on all devices prior to qualification and technology conformance inspection. For device class M, screening shall be in accordance with method 5004 of MIL-STD-883, and shall be conducted on all devices prior to quality conformance inspection. For device class T, screening shall be in accordance with the device manufacturer's Quality Management (QM) plan, and shall be conducted on all devices prior to qualification and technology conformance inspection.

4.2.1 Additional criteria for device class M.

- a. Burn-in test, method 1015 of MIL-STD-883.
 - (1) Test condition A, B, C, or D. The test circuit shall be maintained by the manufacturer under document revision level control and shall be made available to the preparing or acquiring activity upon request. The test circuit shall specify the inputs, outputs, biases, and power dissipation, as applicable, in accordance with the intent specified in test method 1015.
 - (2) T_A = +125° C, minimum.
- b. Interim and final electrical test parameters shall be as specified in table IIA herein.

4.2.2 Additional criteria for device classes Q, T and V.

- a. The burn-in test duration, test condition and test temperature, or approved alternatives shall be as specified in the device manufacturer's QM plan in accordance with MIL-PRF-38535. The burn-in test circuit shall be maintained under document revision level control of the device manufacturer's Technology Review Board (TRB) in accordance with MIL-PRF-38535 and shall be made available to the acquiring or preparing activity upon request. The test circuit shall specify the inputs, outputs, biases, and power dissipation, as applicable, in accordance with the intent specified in test method 1015 of MIL-STD-883.
- b. Interim and final electrical test parameters shall be as specified in table IIA herein.
- c. Additional screening for device class V beyond the requirements of device class Q shall be as specified in MIL-PRF-38535, appendix B or as modified in the device manufacturer's quality management (QM) plan.

4.3 Qualification inspection for device classes Q, T and V. Qualification inspection for device classes Q and V shall be in accordance with MIL-PRF-38535. Qualification inspection for device class T shall be in accordance with the device manufacturer's Quality Management (QM) plan. Inspections to be performed shall be those specified in MIL-PRF-38535 and herein for groups A, B, C, D, and E inspections (see 4.4.1 through 4.4.4).

4.4 Conformance inspection. Technology conformance inspection for classes Q and V shall be in accordance with MIL-PRF-38535 or as specified in the QM plan including groups A, B, C, D, and E inspections and as specified herein except where option 2 of MIL-PRF-38535 permits alternate in-line control testing. Quality conformance inspection for device class M shall be in accordance with MIL-PRF-38535, appendix A and as specified herein. Inspections to be performed for device class M shall be those specified in method 5005 of MIL-STD-883 and herein for groups A, B, C, D, and E inspections (see 4.4.1 through 4.4.4). Technology conformance inspection for class T shall be in accordance with the device manufacturer's Quality Management (QM) plan.

STANDARD MICROCIRCUIT DRAWING DEFENSE SUPPLY CENTER COLUMBUS COLUMBUS, OHIO 43216-5000	SIZE A		5962-96755
		REVISION LEVEL B	SHEET 12

TABLE IIA. Electrical test requirements.

Test requirements	Subgroups (in accordance with MIL-STD-883, method 5005, table I)	Subgroups (in accordance with MIL-PRF-38535, table III)		
	Device class M	Device class Q	Device class V	Device class T
Interim electrical parameters (see 4.2)	1	1	1	As specified in QM plan
Final electrical parameters (see 4.2)	1,2,3 <u>1/ 2/</u>	1,2,3 <u>1/ 2/</u>	1,2,3 <u>1/ 2/ 3/</u>	
Group A test requirements (see 4.4)	1,2,3,9,10,11 <u>4/</u>	1,2,3,9, <u>4/</u> 10,11	1,2,3,9, <u>4/</u> 10,11	
Group C end-point electrical parameters (see 4.4)	1,2,3	1,2,3	1,2,3	
Group D end-point electrical parameters (see 4.4)	1	1	1	
Group E end-point electrical parameters (see 4.4)	1	1	1	

- 1/ PDA applies to subgroup 1. For class V to subgroups 1 and Δ.
- 2/ Temperature coefficient parameters only tested at final electrical test.
- 3/ Delta limits (see table IIB) shall be required and the delta values shall be computed with reference to the zero hour electrical parameters (see table I).
- 4/ Subgroups 9, 10, and 11 are guaranteed to the limits in table I if not tested.

TABLE IIB. Post burn-in delta parameters (+25°C).

Parameters	Symbol	Delta limits
Positive supply current	I _{CC}	±1.18 mA
Negative supply current	I _{EE}	±1.45 mA
Input offset current	I _{IO}	±75 nA
Output current unipolar	I _{OUT1}	±240 μA
Output current bipolar	I _{OUT2}	±240 μA
Output offset error unipolar	V _{OS}	±0.02 %
Full scale error unipolar	AE	±0.15 %
Output offset error bipolar	BPOE	±0.10 %
Zero error bipolar	BPZE	±0.10 %
Digital input low current	I _{IL}	±1.0 μA
Digital input high current	I _{IH}	±40 nA

STANDARD MICROCIRCUIT DRAWING DEFENSE SUPPLY CENTER COLUMBUS COLUMBUS, OHIO 43216-5000	SIZE A		5962-96755
		REVISION LEVEL B	SHEET 13

TABLE III. Irradiation test connections. ($T_A = +25^\circ\text{C} \pm 5^\circ\text{C}$, $V_{CC} = +15\text{ V} \pm 0.5\text{ V}$, $V_{EE} = -15\text{ V} \pm 0.5\text{ V}$)

GROUND	V_{CC}	V_{EE}	+10 V \pm 0.5 V	+5 V \pm 0.5 V	Connected together	No connect
5,9,11,12	3	7	10	13,14,15,16,17,18,19,20,21,22,23,24	4,6,8	1,2

4.4.1 Group A inspection.

- a. Tests shall be as specified in table IIA herein.
- b. Subgroups 4, 5, 6, 7, and 8 in table I, method 5005 of MIL-STD-883 shall be omitted.

4.4.2 Group C inspection. The group C inspection end-point electrical parameters shall be as specified in table IIA herein.

4.4.2.1 Additional criteria for device class M. Steady-state life test conditions, method 1005 of MIL-STD-883:

- a. Test condition A, B, C, or D. The test circuit shall be maintained by the manufacturer under document revision level control and shall be made available to the preparing or acquiring activity upon request. The test circuit shall specify the inputs, outputs, biases, and power dissipation, as applicable, in accordance with the intent specified in test method 1005 of MIL-STD-883.
- b. $T_A = +125^\circ\text{C}$, minimum.
- c. Test duration: 1,000 hours, except as permitted by method 1005 of MIL-STD-883.

4.4.2.2 Additional criteria for device classes Q, T and V. The steady-state life test duration, test condition and test temperature, or approved alternatives shall be as specified in the device manufacturer's QM plan in accordance with MIL-PRF-38535. The test circuit shall be maintained under document revision level control by the device manufacturer's TRB in accordance with MIL-PRF-38535 and shall be made available to the acquiring or preparing activity upon request. The test circuit shall specify the inputs, outputs, biases, and power dissipation, as applicable, in accordance with the intent specified in test method 1005 of MIL-STD-883.

4.4.3 Group D inspection. The group D inspection end-point electrical parameters shall be as specified in table IIA herein.

4.4.4 Group E inspection. Group E inspection is required only for parts intended to be marked as radiation hardness assured (see 3.5 herein). RHA levels for device classes M, Q and V shall be as specified in MIL-PRF-38535 and the end-point electrical parameters shall be as specified in table IIA herein. For device class T, the RHA requirements shall be in accordance with the Class T Radiation Requirements of MIL-PRF-38535. The end-point electrical parameters for class T devices shall be as specified in Table I, Group A subgroups, or as modified in the QM plan.

4.4.4.1 Total dose irradiation testing. Total dose irradiation testing shall be performed in accordance with MIL-STD-883 method 1019 condition A and as specified herein. For device class T, the total dose requirements shall be in accordance with the class T radiation requirements of MIL-PRF-38535 (see 1.5 herein).

4.4.4.1.1 Accelerated aging test. Accelerated aging tests shall be performed on all devices requiring a RHA level greater than 5k rads(Si). The post-anneal end-point electrical parameter limits shall be as specified in table I herein and shall be the pre-irradiation end-point electrical parameter limit at $25^\circ\text{C} \pm 5^\circ\text{C}$. Testing shall be performed at initial qualification and after any design or process changes which may affect the RHA response of the device.

STANDARD MICROCIRCUIT DRAWING DEFENSE SUPPLY CENTER COLUMBUS COLUMBUS, OHIO 43216-5000	SIZE A		5962-96755
		REVISION LEVEL B	SHEET 14

4.4.4.2 Neutron testing. Neutron testing shall be performed in accordance with test method 1017 of MIL-STD-883 and herein (see 1.5). All device classes must meet the post irradiation end-point electrical parameter limits as defined in table I, for the subgroups specified in table IIA herein at $T_A = +25^\circ\text{C} \pm 5^\circ\text{C}$ after an exposure of 2×10^{12} neutrons/cm² (minimum).

4.4.4.3 Dose rate induced latchup testing. Dose rate induced latchup testing shall be performed in accordance with test method 1020 of MIL-STD-883 and as specified herein (see 1.5). Tests shall be performed on devices, SEC, or approved test structures at technology qualification and after any design or process changes which may effect the RHA capability of the process.

4.4.4.4 Dose rate burnout. When required by the customer, test shall be performed on devices, SEC, or approved test structures at technology qualifications and after any design or process changes which may effect the RHA capability of the process. Dose rate burnout shall be performed in accordance with test method 1023 of MIL-STD-883 and as specified herein.

5. PACKAGING

5.1 Packaging requirements. The requirements for packaging shall be in accordance with MIL-PRF-38535 for device classes Q, T and V or MIL-PRF-38535, appendix A for device class M.

6. NOTES

6.1 Intended use. Microcircuits conforming to this drawing are intended for use for Government microcircuit applications (original equipment), design applications, and logistics purposes.

6.1.1 Replaceability. Microcircuits covered by this drawing will replace the same generic device covered by a contractor prepared specification or drawing.

6.1.2 Substitutability. Device class Q devices will replace device class M devices.

6.2 Configuration control of SMD's. All proposed changes to existing SMD's will be coordinated with the users of record for the individual documents. This coordination will be accomplished in accordance with MIL-STD-973 using DD Form 1692, Engineering Change Proposal.

6.3 Record of users. Military and industrial users should inform Defense Supply Center Columbus when a system application requires configuration control and which SMD's are applicable to that system. DSCC will maintain a record of users and this list will be used for coordination and distribution of changes to the drawings. Users of drawings covering microelectronic devices (FSC 5962) should contact DSCC-VA, telephone (614) 692-0525.

6.4 Comments. Comments on this drawing should be directed to DSCC-VA, Columbus, Ohio 43216-5000, or telephone (614) 692-0674.

6.5 Abbreviations, symbols, and definitions. The abbreviations, symbols, and definitions used herein are defined in MIL-PRF-38535 and MIL-HDBK-1331.

6.6 Sources of supply.

6.6.1 Sources of supply for device classes Q, T and V. Sources of supply for device classes Q, T and V are listed in QML-38535. The vendors listed in QML-38535 have submitted a certificate of compliance (see 3.6 herein) to DSCC-VA and have agreed to this drawing.

6.6.2 Approved sources of supply for device class M. Approved sources of supply for class M are listed in MIL-HDBK-103. The vendors listed in MIL-HDBK-103 have agreed to this drawing and a certificate of compliance (see 3.6 herein) has been submitted to and accepted by DSCC-VA.

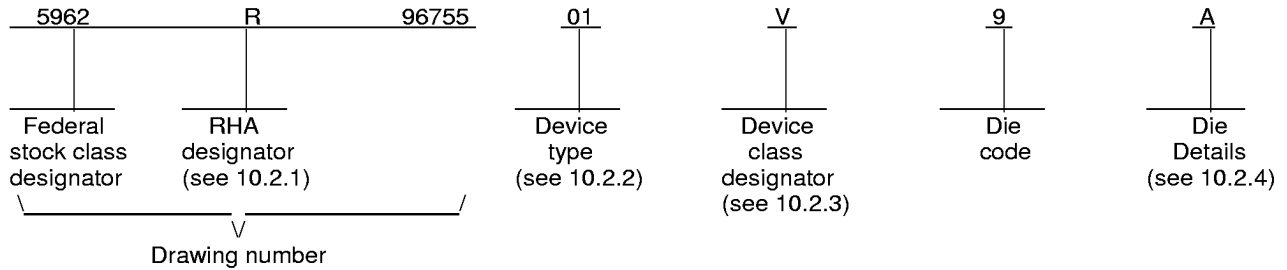
STANDARD MICROCIRCUIT DRAWING DEFENSE SUPPLY CENTER COLUMBUS COLUMBUS, OHIO 43216-5000	SIZE A		5962-96755
		REVISION LEVEL B	SHEET 15

DSCC FORM 2234
APR 97

10. SCOPE

10.1 Scope. This appendix establishes minimum requirements for microcircuit die to be supplied under the Qualified Manufacturers List (QML) Program. QML microcircuit die meeting the requirements of MIL-PRF-38535 and the manufacturers approved QML plan for use in monolithic microcircuits, multichip modules (MCMs), hybrids, electronic modules, or devices using chip and wire designs in accordance with MIL-PRF-38534 are specified herein. Two product assurance classes consisting of military high reliability (device class Q) and space application (device Class V) are reflected in the Part or Identification Number (PIN). When available a choice of Radiation Hardiness Assurance (RHA) levels are reflected in the PIN.

10.2 PIN. The PIN is as shown in the following example:



10.2.1 RHA designator. Device classes Q and V RHA identified die shall meet the MIL-PRF-38535 specified RHA levels. A dash (-) indicates a non-RHA die.

10.2.2 Device type(s). The device type(s) shall identify the circuit function as follows:

Device type	Generic number	Circuit function
01	HS-565ARH	Radiation hardened dielectrically isolated high speed, 12-bit digital-to-analog converter with current output

10.2.3 Device class designator.

Device class	Device requirements documentation
Q or V	Certification and qualification to the die requirements of MIL-PRF-38535

10.2.4. Die Details. The die details designation shall be a unique letter which designates the die's physical dimensions, bonding pad location(s) and related electrical function(s), interface materials, and other assembly related information, for each product and variant supplied to this appendix.

10.2.4.1 Die physical dimensions.

Die type	Figure number
01	A-1

STANDARD MICROCIRCUIT DRAWING DEFENSE SUPPLY CENTER COLUMBUS COLUMBUS, OHIO 43216-5000	SIZE A		5962-96755
		REVISION LEVEL B	SHEET 16

APPENDIX A

APPENDIX A IS A PART OF SMD 5962-96755

[查询"5962R9675501TJC"供应商](#)

10.2.4.2. Die bonding pad locations and electrical functions.

Die type	Figure number
01	A-1

10.2.4.3. Interface materials.

Die type	Figure number
01	A-1

10.2.4.4. Assembly related information.

Die type	Figure number
01	A-1

10.3. Absolute maximum ratings. See paragraph 1.3 within the body of this drawing for details.

10.4 Recommended operating conditions. See paragraph 1.4 within the body of this drawing for details.

20. APPLICABLE DOCUMENTS.

20.1 Government specifications, standards, and handbooks. Unless otherwise specified, the following specification, standard, and handbook of the issue listed in that issue of the Department of Defense Index of Specifications and Standards specified in the solicitation, form a part of this drawing to the extent specified herein.

SPECIFICATION

DEPARTMENT OF DEFENSE

MIL-PRF-38535 - Integrated Circuits, Manufacturing, General Specification for.

STANDARDS

DEPARTMENT OF DEFENSE

MIL-STD-883 - Test Method Standard Microcircuits.

HANDBOOK

DEPARTMENT OF DEFENSE

MIL-HDBK-103 - List of Standard Microcircuit Drawings (SMD's).

(Copies of the specification, standard, and handbook required by manufacturers in connection with specific acquisition functions should be obtained from the contracting activity or as directed by the contracting activity).

<p align="center">STANDARD MICROCIRCUIT DRAWING DEFENSE SUPPLY CENTER COLUMBUS COLUMBUS, OHIO 43216-5000</p>	<p align="center">SIZE A</p>		<p align="center">5962-96755</p>
		<p align="center">REVISION LEVEL B</p>	<p align="center">SHEET 17</p>

DSCC FORM 2234
APR 97

APPENDIX A

APPENDIX A IS A PART OF SMD 5962-96755

[查询"5962R9675501TJC"供应商](#)

20.2. Order of precedence. In the event of a conflict between the text of this drawing and the references cited herein, the text of this drawing shall take precedence.

30. REQUIREMENTS

30.1 Item requirements. The individual item requirements for device classes Q and V shall be in accordance with MIL-PRF-38535 and as specified herein or as modified in the device manufacturer's Quality Management (QM) plan. The modification in the QM plan shall not effect the form, fit or function as described herein.

30.2 Design, construction and physical dimensions. The design, construction and physical dimensions shall be as specified in MIL-PRF-38535 and the manufacturer's QM plan, for device classes Q and V and herein.

30.2.1 Die physical dimensions. The die physical dimensions shall be as specified in 10.2.4.1 and on figure A-1.

30.2.2 Die bonding pad locations and electrical functions. The die bonding pad locations and electrical functions shall be as specified in 10.2.4.2 and on figure A-1.

30.2.3 Interface materials. The interface materials for the die shall be as specified in 10.2.4.3 and on figure A-1.

30.2.4 Assembly related information. The assembly related information shall be as specified in 10.2.4.4 and figure A-1.

30.2.5 Truth table(s). The truth table(s) shall be as defined within paragraph 3.2.3. of the body of this document.

30.2.6 Radiation exposure circuit. The radiation exposure circuit shall be as defined within paragraph 3.2.4. of the body of this document.

30.3 Electrical performance characteristics and post-irradiation parameter limits. Unless otherwise specified herein, the electrical performance characteristics and post-irradiation parameter limits are as specified in table I of the body of this document.

30.4 Electrical test requirements. The wafer probe test requirements shall include functional and parametric testing sufficient to make the packaged die capable of meeting the electrical performance requirements in table I.

30.5 Marking. As a minimum, each unique lot of die, loaded in single or multiple stack of carriers, for shipment to a customer, shall be identified with the wafer lot number, the certification mark, the manufacturer's identification and the PIN listed in 10.2 herein. The certification mark shall be a "QML" or "Q" as required by MIL-PRF-38535.

30.6 Certification of compliance. For device classes Q and V, a certificate of compliance shall be required from a QML-38535 listed manufacturer in order to supply to the requirements of this drawing (see 60.4 herein). The certificate of compliance submitted to DSCC-VA prior to listing as an approved source of supply for this appendix shall affirm that the manufacturer's product meets, for device classes Q and V, the requirements of MIL-PRF-38535 and the requirements herein.

30.7 Certificate of conformance. A certificate of conformance as required for device classes Q and V in MIL-PRF-38535 shall be provided with each lot of microcircuit die delivered to this drawing.

STANDARD MICROCIRCUIT DRAWING DEFENSE SUPPLY CENTER COLUMBUS COLUMBUS, OHIO 43216-5000	SIZE A		5962-96755
		REVISION LEVEL B	SHEET 18

DSCC FORM 2234
APR 97

APPENDIX A

APPENDIX A IS A PART OF SMD 5962-96755

[查询"5962R9675501TJC"供应商](#)

40. QUALITY ASSURANCE PROVISIONS

40.1 Sampling and inspection. For device classes Q and V, die sampling and inspection procedures shall be in accordance with MIL-PRF-38535 or as modified in the device manufacturer's Quality Management (QM) plan. The modifications in the QM plan shall not effect the form, fit or function as described herein.

40.2 Screening. For device classes Q and V, screening shall be in accordance with MIL-PRF-38535, and as defined in the manufacturer's QM plan. As a minimum it shall consist of:

- a) Wafer lot acceptance for Class V product using the criteria defined within MIL-STD-883 test method 5007.
- b) 100% wafer probe (see paragraph 30.4).
- c) 100% internal visual inspection to the applicable class Q or V criteria defined within MIL-STD-883 test method 2010 or the alternate procedures allowed within MIL-STD-883 test method 5004.

40.3 Conformance inspection.

40.3.1 Group E inspection. Group E inspection is required only for parts intended to be identified as radiation assured (see 30.5 herein). RHA levels for device classes Q and V shall be as specified in MIL-PRF-38535. End point electrical testing of packaged die shall be as specified in table IIA herein. Group E tests and conditions are as specified within paragraphs 4.4.4.1, 4.4.4.1.1., 4.4.4.2, 4.4.4.3 and 4.4.4.4.

50. DIE CARRIER

50.1 Die carrier requirements. The requirements for the die carrier shall be accordance with the manufacturer's QM plan or as specified in the purchase order by the acquiring activity. The die carrier shall provide adequate physical, mechanical and electrostatic protection.

60 NOTES

60.1 Intended use. Microcircuit die conforming to this drawing are intended for use in microcircuits built in accordance with MIL-PRF-38535 or MIL-PRF-38534 for government microcircuit applications (original equipment), design applications and logistics purposes.

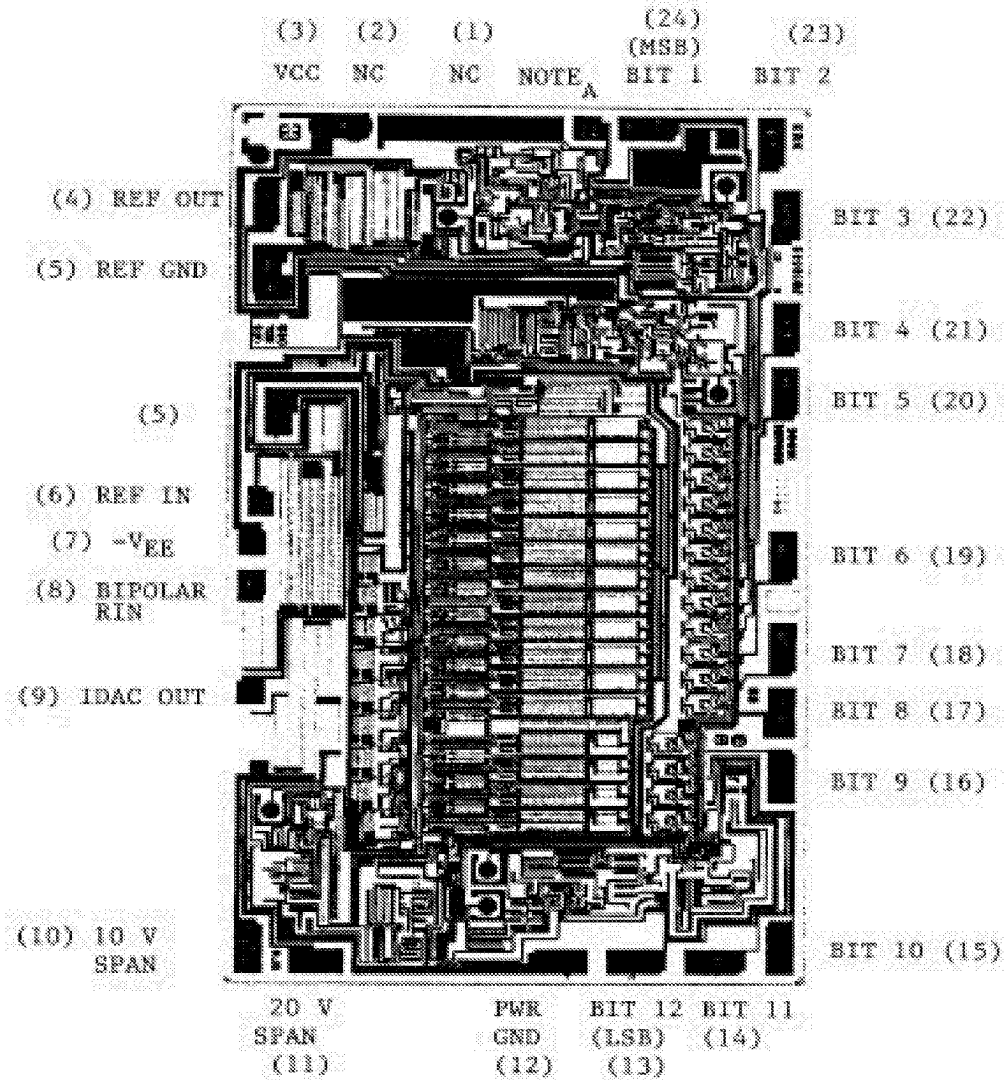
60.2 Comments. Comments on this appendix should be directed to DSCC-VA, Columbus, Ohio, 43216-5000 or telephone (614)-692-0536.

60.3 Abbreviations, symbols and definitions. The abbreviations, symbols, and definitions used herein are defined within MIL-PRF-38535 and MIL-STD-1331.

60.4 Sources of supply for device classes Q and V. Sources of supply for device classes Q and V are listed in QML-38535. The vendors listed within QML-38535 have submitted a certificate of compliance (see 30.6 herein) to DSCC-VA and have agreed to this drawing.

STANDARD MICROCIRCUIT DRAWING DEFENSE SUPPLY CENTER COLUMBUS COLUMBUS, OHIO 43216-5000	SIZE A		5962-96755
		REVISION LEVEL B	SHEET 19

DSCC FORM 2234
APR 97



Note: Pad numbers reflect terminal numbers when placed in case outlines J and X (see figure 1).

FIGURE A-1. Die bonding pad locations and electrical functions.

STANDARD MICROCIRCUIT DRAWING DEFENSE SUPPLY CENTER COLUMBUS COLUMBUS, OHIO 43216-5000	SIZE A		5962-96755
		REVISION LEVEL B	SHEET 20

Die physical dimensions.

Die size: 4600 microns x 2750 microns
Die thickness: 19 ± 1 mils

Interface materials.

Top metallization: Al/Cu 16.0 kÅ ± 2 kÅ
Backside metallization: None

Glassivation.

Type: SiO₂
Thickness: 8 kÅ ± 1.0 kÅ

Substrate: Dielectrically Isolated (DI)

Assembly related information.

Substrate potential: Insulator
Special assembly instructions: Pin number 5 is connected to two bonding pads.
Note A refers to pin A which is connected to die attach pad.

FIGURE A-1. Die bonding pad locations and electrical functions.

STANDARD MICROCIRCUIT DRAWING DEFENSE SUPPLY CENTER COLUMBUS COLUMBUS, OHIO 43216-5000	SIZE A		5962-96755
		REVISION LEVEL B	SHEET 21

DATE: 98-12-03

Approved sources of supply for SMD 5962-96755 are listed below for immediate acquisition information only and shall be added to MIL-HDBK-103 and QML-38535 during the next revision. MIL-HDBK-103 and QML-38535 will be revised to include the addition or deletion of sources. The vendors listed below have agreed to this drawing and a certificate of compliance has been submitted to and accepted by DSCC-VA. This bulletin is superseded by the next dated revision of MIL-HDBK-103 and QML-38535.

Standard microcircuit drawing PIN <u>1/</u>	Vendor CAGE number	Vendor similar PIN <u>2/</u>
5962R9675501VJC	34371	HS1-565ARH-Q
5962R9675501VXC	34371	HS9-565ARH-Q
5962R9675501V9A	34371	HS0-565ARH-Q
5962R9675501TJC	34371	HS1-565ARH-T
5962R9675501TXC	34371	HS9-565ARH-T

- 1/ The lead finish shown for each PIN representing a hermetic package is the most readily available from the manufacturer listed for that part. If the desired lead finish is not listed contact the vendor to determine its availability.
- 2/ Caution. Do not use this number for item acquisition. Items acquired to this number may not satisfy the performance requirements of this drawing.

Vendor CAGE number

34371

Vendor name and address

Harris Semiconductor
P.O. Box 883
Melbourne, FL 32902-0883

The information contained herein is disseminated for convenience only and the Government assumes no liability whatsoever for any inaccuracies in the information bulletin.