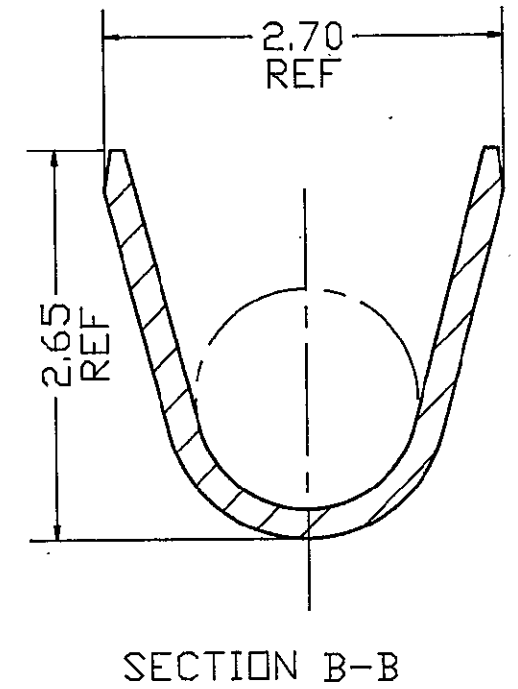
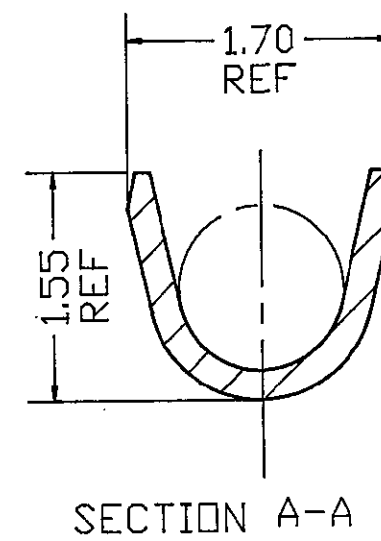
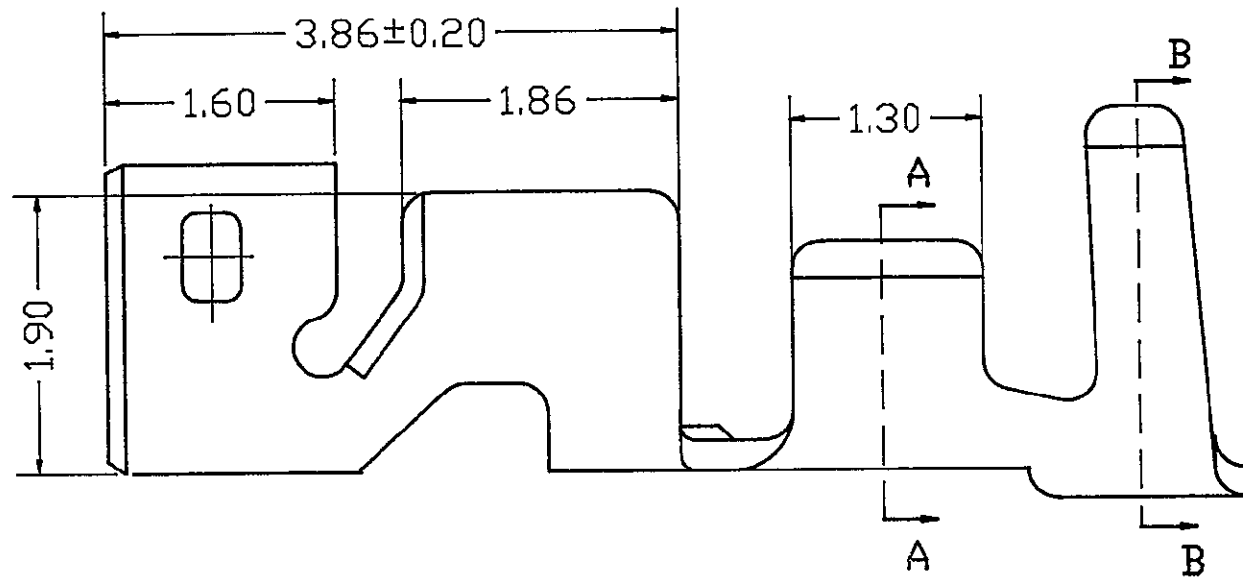
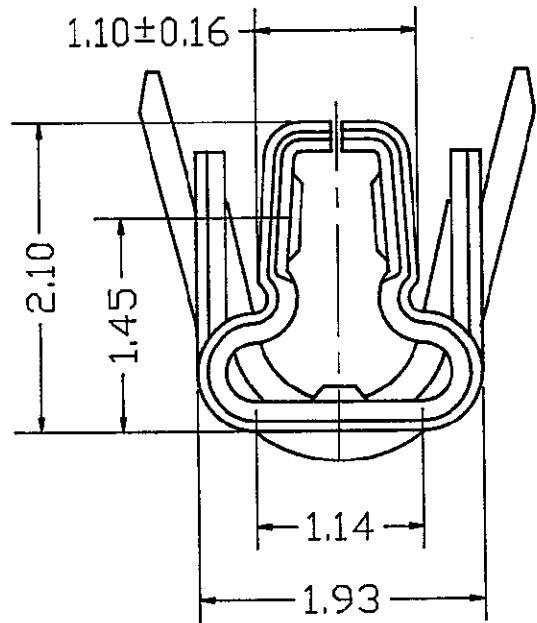
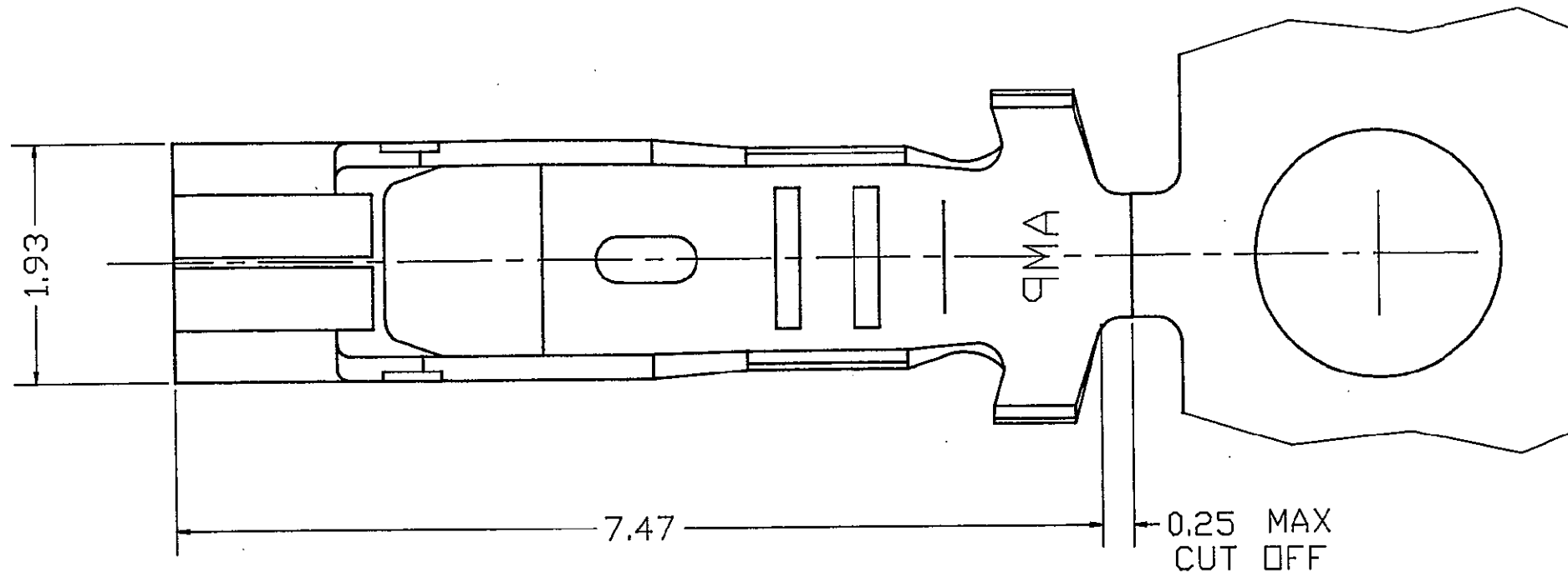


3RD ANGLE PROJECTION



292034-1

PART NO

COPYRIGHT C19

COPYRIGHT C19---
AMP SHANGHAI LTD
ALL RIGHTS RESERVED

AMP

AMP SHANGHAI LTD.

D	REVISED	F300-0197-97	SY	ML	281397
C	REVISED	F300-0044-97		S.YAL	270397
B	REVISED	F300-0029-97		M.LIU	260997
A	REVISED	F300-0018-97		M.LIU	180297
Q	REV RELEASED	F300-0027-96			128296
LTR	RIVISION RECODE		DR	CHK	DATE
				J.LEE	

PRODUCT SPEC	APPLICATION SPEC
108-60007	114-58000
(MATERIAL)	(FINISH)
0.20 THK PH BRZ	PRE-TIN PLATING
DR	REL
M.LIU	
CHK	APP
J.LEE	

NAME				CONTACT CRIMP-SNAP II METRIC INTERCONNECT SYSTEM			
DO NOT SCALE PRINT, UNLESS SPECIFIED DIMENSIONS IN MM TOLERANCES ON:				SIZE	LOC	(No.)	
2 PLC DEC ± 0.13 3 PLC DEC ± ANGLES				A3	ES	292034	
				SCALE	REV	SHEET	
				20:1	D	1 of 1	