

# Blade Terminal & Special Purpose Fuses

Low Voltage

## RoHS MEGA® Slo-Blo® Fuse

Designed for high current circuit protection up to 250 amperes. Ideal for battery and UPS systems requiring ultra-high current protection.

### ELECTRICAL CHARACTERISTICS:

% of Ampere Rating	Opening Time
100%	4 Hours, <b>Minimum</b>
135%	120 sec., <b>Min.</b> ; 1800 sec., <b>Max.</b>
200%	1 sec., <b>Min.</b> ; 15 sec., <b>Max.</b>
350%	0.3 sec., <b>Min.</b> ; 5 sec., <b>Max.</b>
600%	0.1 sec., <b>Min.</b> ; 1 sec., <b>Max.</b>

### PHYSICAL SPECIFICATIONS:

**Materials:** Body: Plastic  
Terminations: Copper

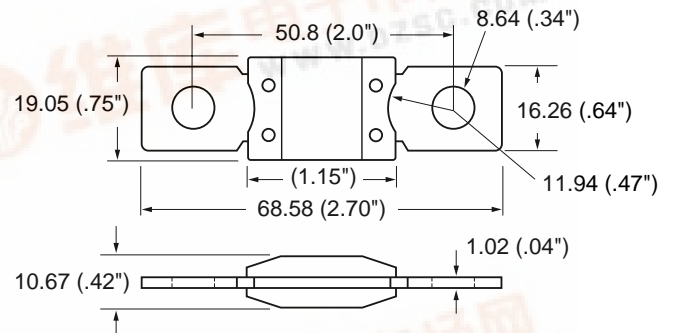
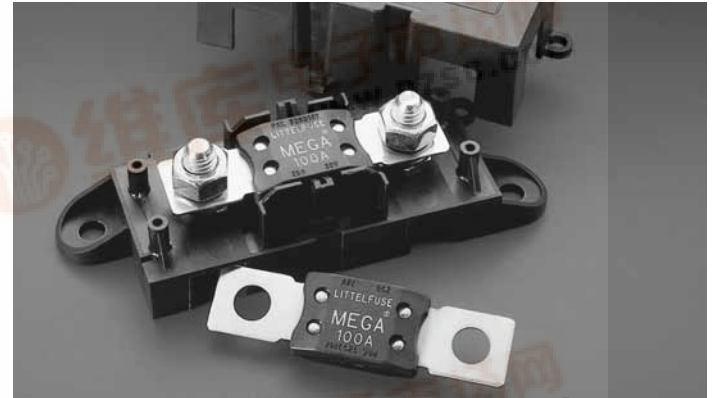
### PATENTED

### INTERRUPTING RATING:

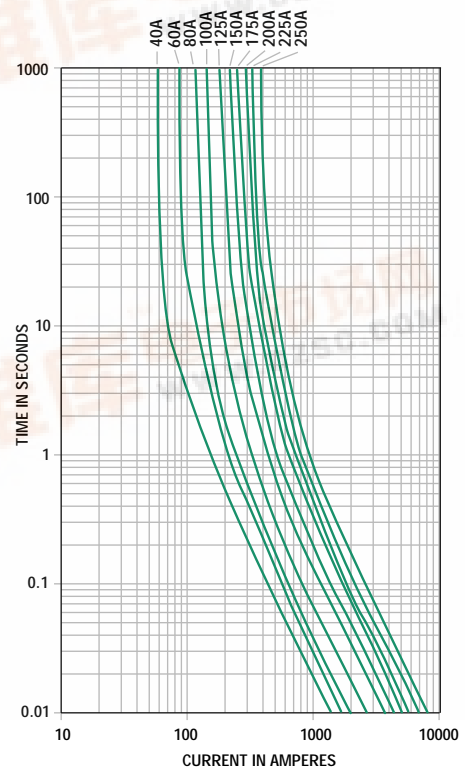
2000A @ 32 VDC

### ORDERING INFORMATION:

Catalog Number	Ampere Rating (A)	Voltage Rating (VDC)	Stamp Color Code	Nominal Cold Resistance (milliOhms)	Minimum Melting I <sup>2</sup> t (A <sup>2</sup> Sec.)
298 040	40	32	TBD	TBD	TBD
298 060	60	32	TBD	TBD	TBD
298 080	80	32	TBD	TBD	TBD
298 100	100	32	Yellow	0.55	31100
298 125	125	32	Green	0.43	57800
298 150	150	32	Orange	0.35	100000
298 175	175	32	White	0.27	168000
298 200	200	32	Blue	0.26	204000
298 225	225	32	Tan	0.23	257000
298 250	250	32	Pink	0.19	389000



### Average Time Current Curves



## MEGA® Fuse Holder

### ORDERING INFORMATION:

Catalog Number	Version
0298 1001	Single Holder Assembly
0298 2001	Dual Holder Assembly

