

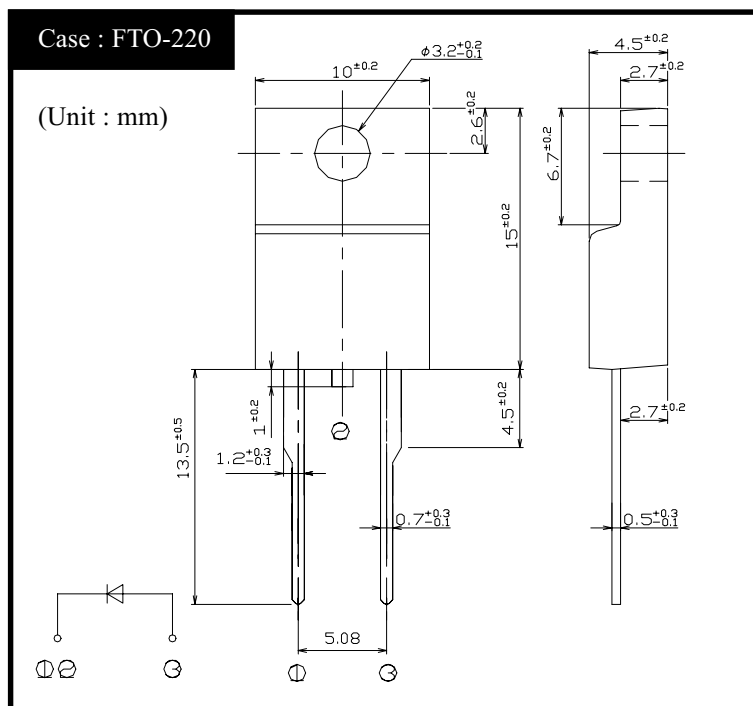
Schottky Rectifiers (SBD)

Single

SF20H1R5

15V 20A

OUTLINE DIMENSIONS



RATINGS

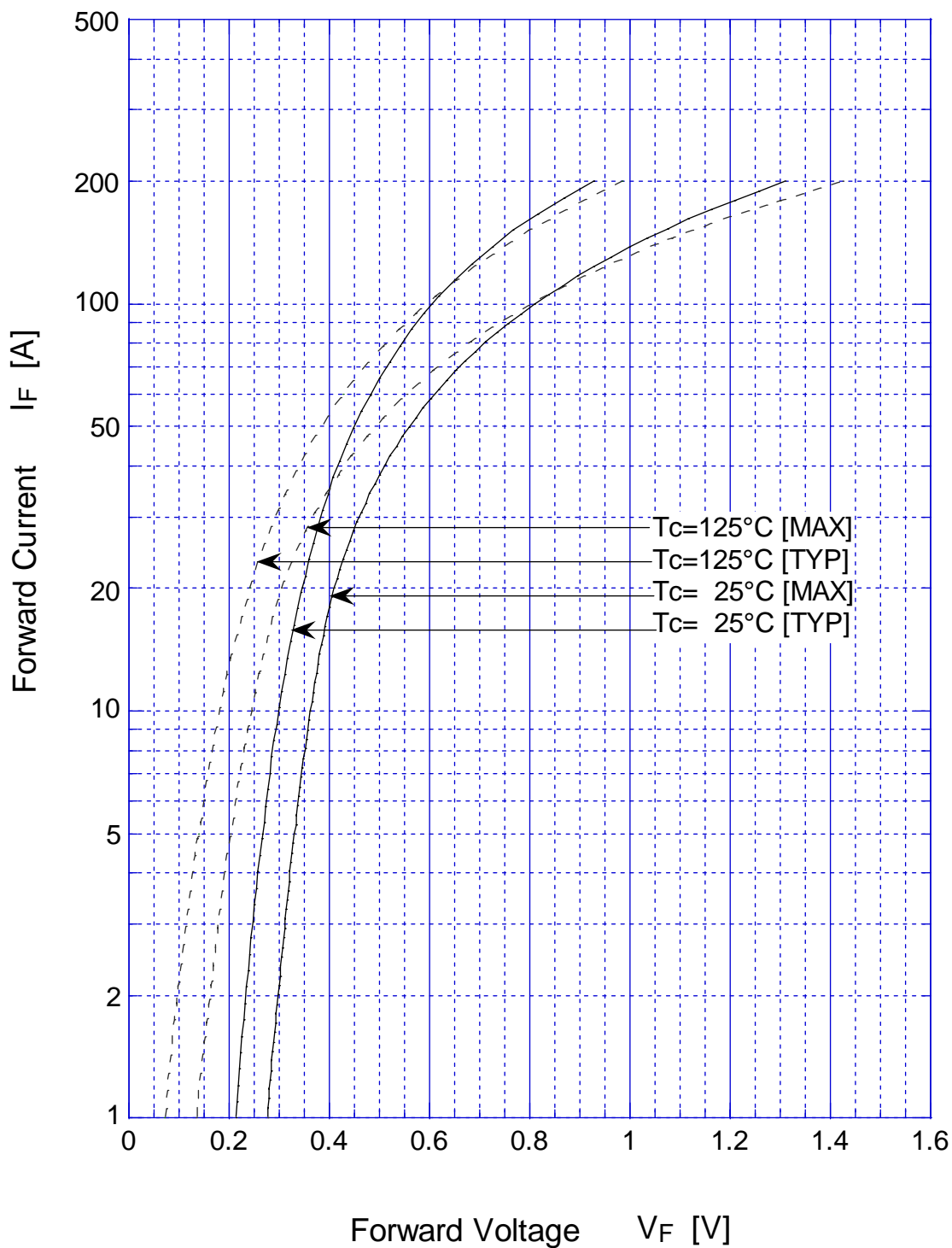
● Absolute Maximum Ratings (If not specified $T_c=25^\circ\text{C}$)

Item	Symbol	Conditions	Ratings	Unit
Storage Temperature	T_{stg}		-55~125	$^\circ\text{C}$
Operating Junction Temperature	T_j		125	$^\circ\text{C}$
Maximum Reverse Voltage	V_{RM}		15	V
Average Rectified Forward Current	I_o	50Hz sine wave, R-load, $T_c=97^\circ\text{C}$	20	A
Peak Surge Forward Current	I_{FSM}	50Hz sine wave, Non-repetitive 1 cycle peak value, $T_j=25^\circ\text{C}$	250	A
Dielectric Strength	V_{dis}	Terminals to case, AC 1 minute	2	kV
Mounting Torque	TOR	(Recommended torque : 0.3N·m)	0.5	N·m

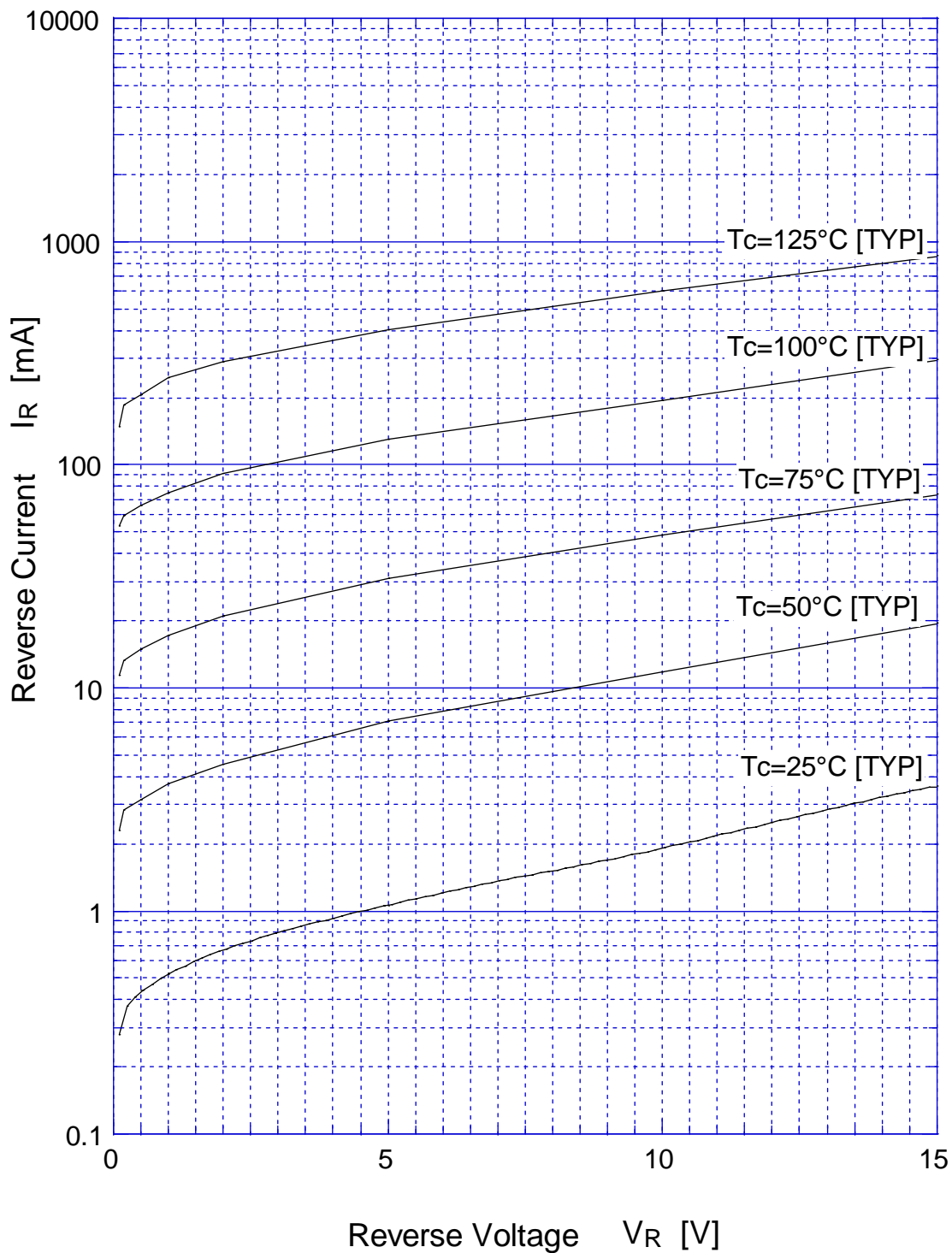
● Electrical Characteristics (If not specified $T_c=25^\circ\text{C}$)

Item	Symbol	Conditions	Ratings	Unit
Forward Voltage	V_F	$I_F=20\text{A}$, Pulse measurement	Max 0.41	V
Reverse Current	I_R	$V_R=V_{RM}$, Pulse measurement	Max 10	mA
Junction Capacitance	C_j	$f=1\text{MHz}$, $V_R=10\text{V}$	Typ 960	pF
Thermal Resistance	θ_{jc}	junction to case	Max 2.0	$^\circ\text{C/W}$

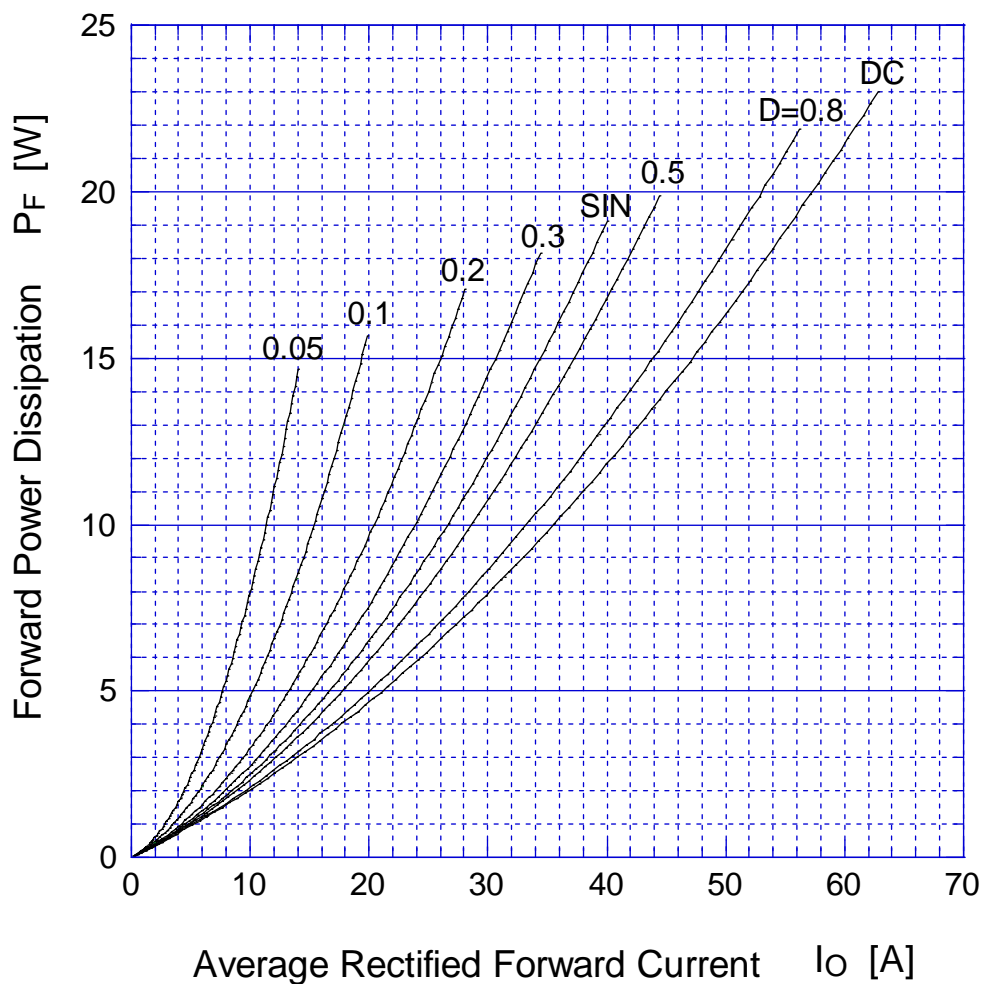
SF20H1R5 Forward Voltage



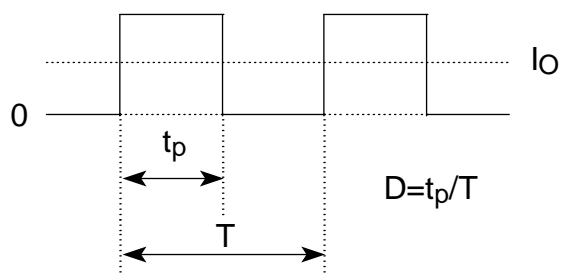
SF20H1R5 Reverse Current



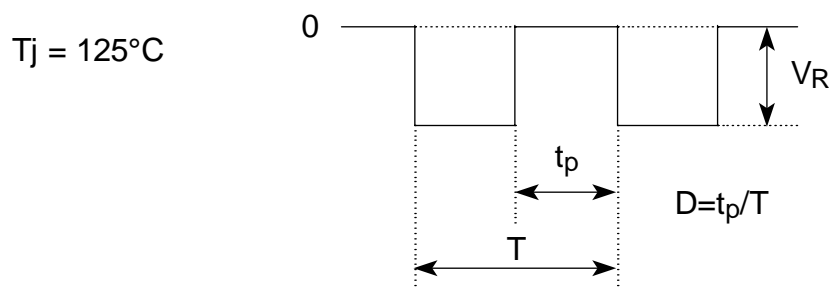
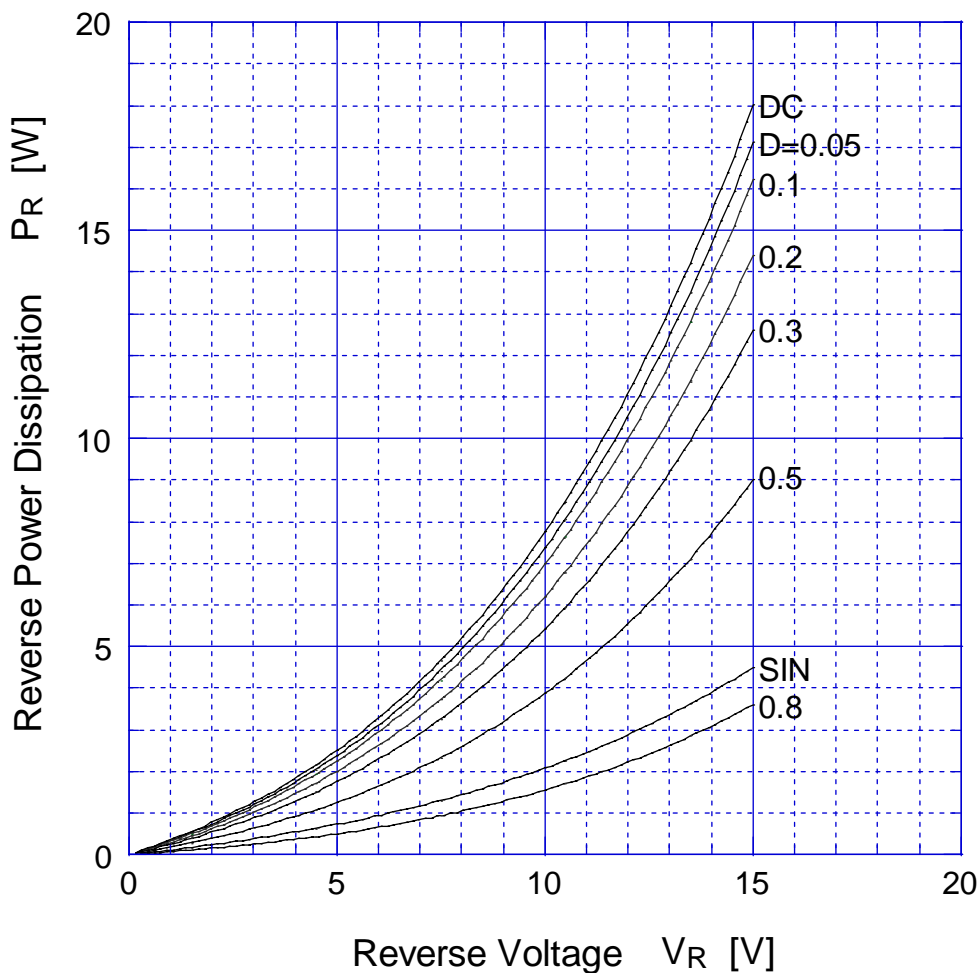
SF20H1R5 Forward Power Dissipation



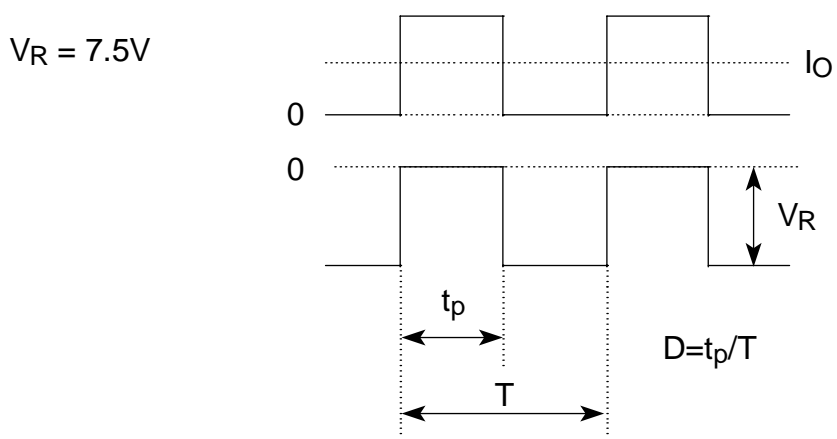
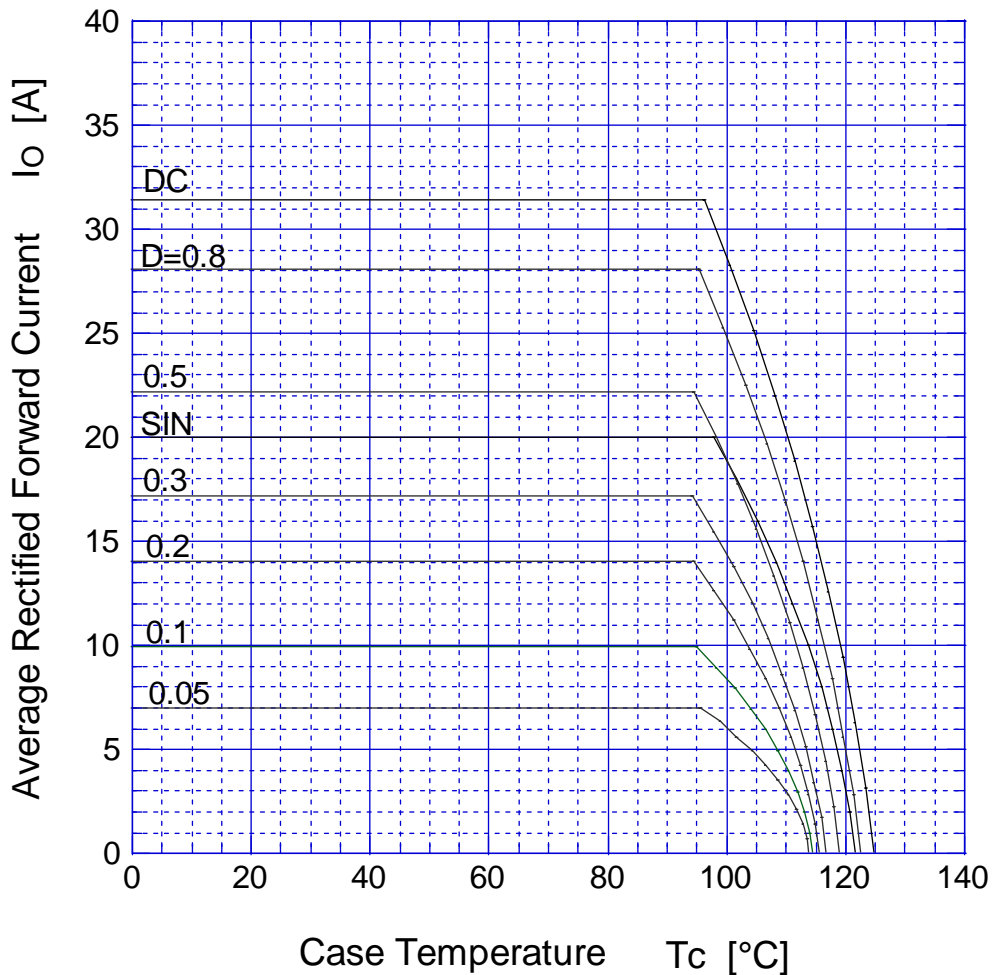
$T_j = 125^\circ\text{C}$



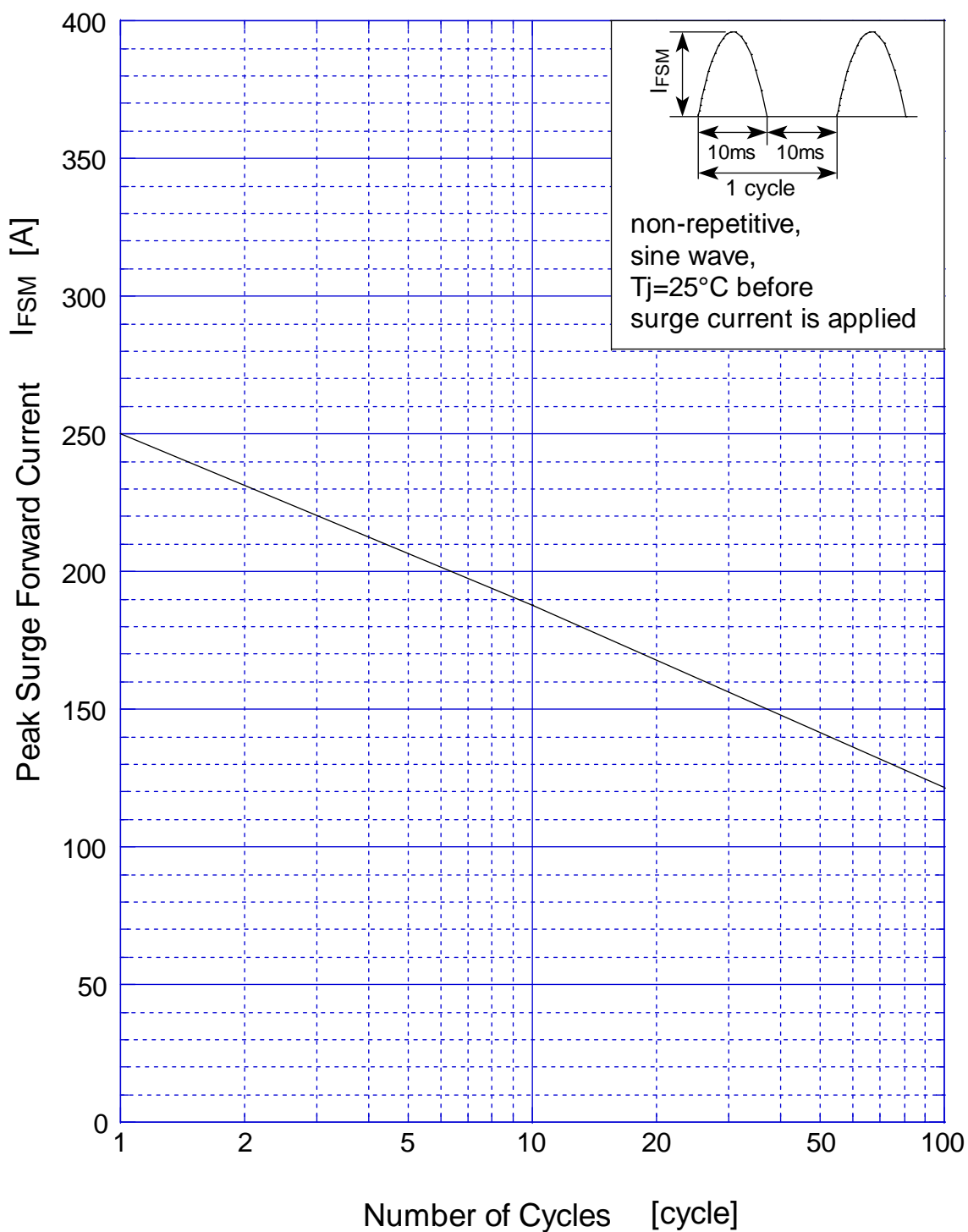
SF20H1R5 Reverse Power Dissipation



SF20H1R5 Derating Curve



SF20H1R5 Peak Surge Forward Capability



[查询"SF20H1R5"供应商](#)

SF20H1R5 Junction Capacitance

