



# FireLink USB

82C862

Dual Controller  
Quad Port USB

Preliminary Data Book  
**CONFIDENTIAL**

912-2000-030  
Revision 1.0

---

**Copyright**

Copyright © 1998 OPTi Inc. All rights reserved. No part of this publication may be reproduced, transmitted, transcribed, stored in a retrieval system, or translated into any language or computer language, in any form or by any means, electronic, mechanical, magnetic, optical, manual, or otherwise, without the prior written permission of OPTi Inc., 1440 McCarthy Blvd. Milpitas, CA 95035.

**Disclaimer**

OPTi Inc. makes no representations or warranties with respect to the design and documentation herein described and especially disclaims any implied warranties of merchantability or fitness for any particular purpose. Further, OPTi Inc. reserves the right to revise the design and associated documentation and to make changes from time to time in the content without obligation of OPTi Inc. to notify any person of such revisions or changes.

**Trademarks**

OPTi and OPTi Inc. are registered trademarks of OPTi Inc. All other trademarks and copyrights are the property of their respective holders.

**OPTi Inc.**

1440 McCarthy Blvd.  
Milpitas, CA 95035  
Tel: (408) 486-8000  
Fax: (408) 486-8001  
WWW: <http://www.opti.com>

---

## TABLE OF CONTENTS

|            |   |           |
|------------|---|-----------|
| <b>1.0</b> | <b>FEATURES</b> .....   | <b>1</b>  |
| <b>2.0</b> | <b>OVERVIEW</b> .....   | <b>1</b>  |
| <b>3.0</b> | <b>SIGNAL DEFINITIONS</b> .....                                     | <b>3</b>  |
| 3.1.1      | <i>Terminology/Nomenclature Conventions</i> .....                   | 3         |
| 3.2        | NUMERICAL PIN CROSS-REFERENCE LIST .....                            | 5         |
| 3.3        | SIGNAL DESCRIPTIONS .....   | 6         |
| 3.3.1      | <i>Clock and Reset Interface Signals</i> .....                      | 6         |
| 3.3.2      | <i>PCI Bus Interface Signals</i> .....                              | 6         |
| 3.3.3      | <i>USB Interface Signals</i> .....                                  | 8         |
| 3.3.4      | <i>Host Controller shared signals: PME#, SMI#, REQ#, GNT#</i> ..... | 9         |
| 3.3.5      | <i>Legacy and Interrupt Interface Signals</i> .....                 | 9         |
| 3.3.6      | <i>Power and Ground Pins</i> .....                                  | 10        |
| 3.3.7      | <i>Strap Options</i> .....  | 11        |
| <b>4.0</b> | <b>FUNCTIONAL DESCRIPTION</b> .....                                 | <b>13</b> |
| 4.1        | UNIVERSAL SERIAL BUS (USB) .....                                    | 13        |
| 4.2        | PCI CONTROLLER .....  | 14        |
| 4.3        | CLOCK GENERATION .....  | 15        |
| 4.4        | POWER MANAGEMENT FEATURES .....                                     | 15        |
| 4.4.1      | <i>Putting FireLink into USB Suspend State</i> .....                | 15        |
| 4.4.2      | <i>Powering Down the USB I/O Cells</i> .....                        | 15        |
| 4.4.3      | <i>Stopping the 48MHz USB Clock</i> .....                           | 15        |
| 4.4.4      | <i>Using CLKRUN#</i> .....  | 15        |
| 4.4.5      | <i>Stopping the Internal PCI Clocks</i> .....                       | 16        |
| 4.4.6      | <i>Power Control Modes</i> .....                                    | 16        |
| 4.5        | HOST CONTROLLER .....   | 19        |
| 4.5.1      | <i>Legacy Support</i> .....   | 20        |
| 4.5.2      | <i>Intercept Port 60h and 64h Accesses</i> .....                    | 20        |
| 4.6        | GENERAL PURPOSE PINS .....  | 21        |
| <b>5.0</b> | <b>REGISTER DESCRIPTIONS</b> .....                                  | <b>23</b> |
| 5.1        | PCICFG REGISTER SPACE .....   | 23        |
| 5.1.1      | <i>Programming Differences from 82C861 Component</i> .....          | 23        |
| 5.1.2      | <i>PCICFG 00h-FFh</i> .....   | 24        |
| 5.2        | HOST CONTROLLER REGISTER SPACE .....                                | 29        |
| 5.2.1      | <i>MEMOFST 00h-5Ch</i> .....  | 29        |
| 5.2.2      | <i>Legacy Support Registers</i> .....                               | 39        |
| 5.2.3      | <i>MEMOFST 100h-1Fh (Legacy Support Registers)</i> .....            | 39        |
| <b>6.0</b> | <b>ELECTRICAL RATINGS</b> .....                                     | <b>41</b> |
| 6.1        | ABSOLUTE MAXIMUM RATINGS .....                                      | 41        |
| 6.2        | DC CHARACTERISTICS: .....   | 41        |
| 6.3        | AC CHARACTERISTICS (PRELIMINARY) .....                              | 42        |
| 6.3.1      | <i>PCI Bus AC Timings</i> .....                                     | 42        |
| 6.3.2      | <i>USB AC Timings: Full Speed Source</i> .....                      | 43        |
| 6.3.3      | <i>USB AC Timings: Low Speed Source</i> .....                       | 44        |
| <b>7.0</b> | <b>MECHANICAL PACKAGE OUTLINES</b> .....                            | <b>46</b> |
| <b>8.0</b> | <b>NAND TREE TEST MODE</b> .....                                    | <b>47</b> |

# FireLink USB

## 82C862

---

[查询"82C862"供应商](#)

## 1.0 Features

- Compliant with USB rev. 1.1 specification
- Fully compatible with USB OHCI specification
- Two independent host controllers, two ports each, making FireLink USB a multi-function PCI device
- Second host controller can be disabled if not used
- Clock input can be derived from either a 12MHz crystal or a 48MHz oscillator
- Clocks can be turned off when not in use to save power
- Core operates at 3.3V; PCI inputs are 5V-tolerant
- Incorporates PCI Power Management, supporting very low power standby modes

- Implements CLKRUN# pin to support hardware-enforced power-down
- Packaged as 100-pin LQFP (Low-profile Quad Flat Pack)
- Supported by Windows 98, Windows 2000, and Windows CE

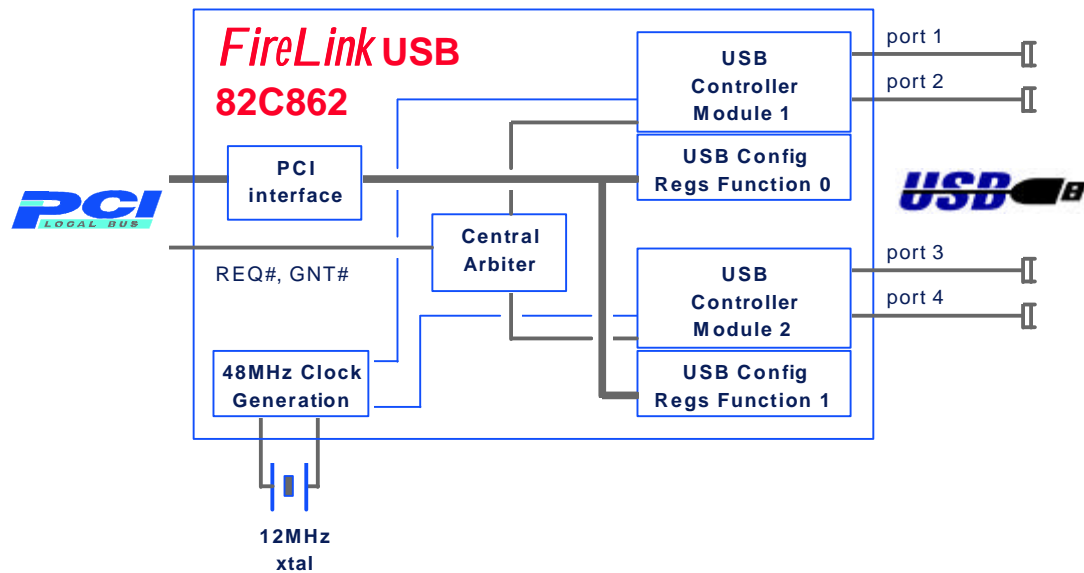
## 2.0 Overview

This document describes the OPTi FireLink USB (82C862) controller.

This PCI-to-USB bridge is unique in that it consists of two independent dual-port controllers, each sharing only the common PCI bus connection. This arrangement allows for a total Universal Serial Bus bandwidth of 24Mb/s, divided into 12Mb/s for each pair of ports.

Figure 1 provides a block diagram of the overall functionality of the chip.

Figure 1. 82C862 FireLink USB Block Diagram



# FireLink USB

## 82C862

[查询"82C862"供应商](#)

---

## 3.0 Signal Definitions

### 3.1 Terminology/Nomenclature Conventions

The "#" symbol at the end of a signal name indicates that the active, or asserted state occurs when the signal is at a low voltage level. When "#" is not present after the signal name, the signal is asserted when at the high voltage level.

The terms assertion and negation are used extensively. This is done to avoid confusion when working with a mixture of active low and active high signals. The term assert, or assertion indicates that a signal is active, independent of whether that level is represented by a high or low voltage. The term negate, or negation indicates that a signal is inactive.

The tables in this section use several common abbreviations. Table 1 lists the mnemonics and their meanings. Note that TTL/CMOS/Schmitt-trigger levels pertain to inputs only. Outputs are driven at CMOS levels.

**Table 1. Signal Definitions Legend**

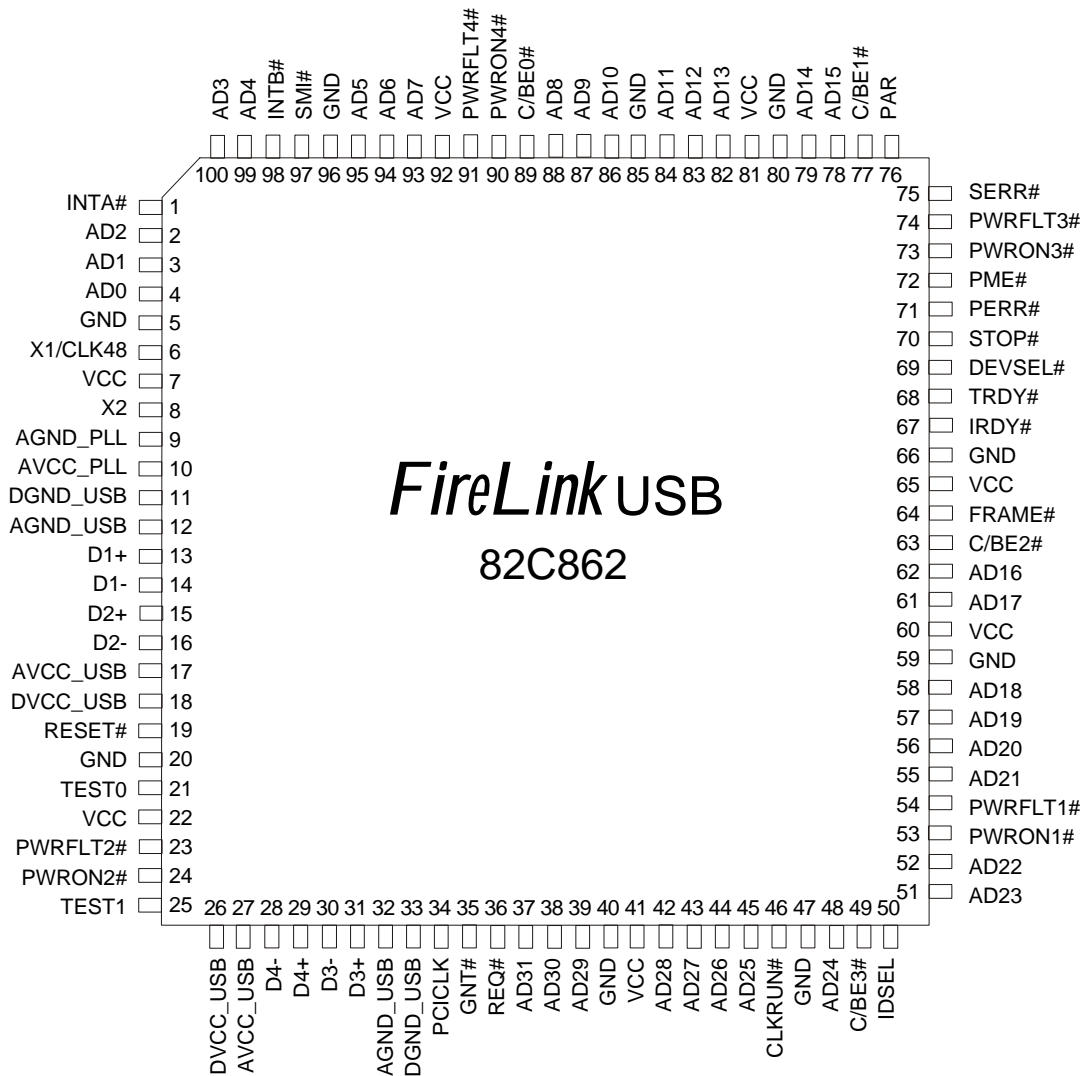
| Mnemonic | Description              |
|----------|--------------------------|
| Analog   | Analog-level compatible  |
| CMOS     | CMOS-level compatible    |
| Dcdr     | Decoder                  |
| Diff     | Differential signal pair |
| Ext      | External                 |
| G        | Ground                   |
| I        | Input                    |
| Int      | Internal                 |
| I/O      | Input/Output             |
| Mux      | Multiplexer              |
| NIC      | No Internal Connection   |
| O        | Output                   |
| OD       | Open drain               |
| P        | Power                    |
| PD       | Pull-down resistor       |
| PU       | Pull-up resistor         |
| S        | Schmitt-trigger          |
| S/T/S    | Sustain Tristate         |
| TTL      | TTL-level compatible     |

# FireLink USB

## 82C862

Figure 2. "LQFP Pin Diagram (Note)"

**Note:** Figure 3-1 shows a pin diagram of the 82C862 packaged in an LQFP (Low-profile Quad Flat Pack, square). Refer to Section 6.0, "Mechanical Package Outlines" for details regarding packaging.





[查询"82C862"供应商](#)

### 3.2 Numerical Pin Cross-Reference List

| Pin No. | Signal Name | Power Plane |
|---------|-------------|-------------|
| 1       | INTA#       | VCC         |
| 2       | AD2         |             |
| 3       | AD1         |             |
| 4       | AD0         |             |
| 5       | GND         |             |
| 6       | X1/CLK48    |             |
| 7       | VCC         |             |
| 8       | X2          |             |
| 9       | AGND_PLL    | AVCC_PLL    |
| 10      | AVCC_PLL    |             |
| 11      | DGND_USB    | DVCC_USB    |
| 12      | AGND_USB    | AVCC_USB    |
| 13      | D1+         |             |
| 14      | D1-         |             |
| 15      | D2+         |             |
| 16      | D2-         |             |
| 17      | AVCC_USB    |             |
| 18      | DVCC_USB    |             |
| 19      | RESET#      | VCC         |
| 20      | GND         |             |
| 21      | TEST0       |             |
| 22      | VCC         |             |
| 23      | PWRFLT2     |             |
| 24      | PWRON2      |             |
| 25      | TEST1       |             |
| 26      | DVCC_USB    | DVCC_USB    |
| 27      | AVCC_USB    | AVCC_USB    |
| 28      | D4-         |             |
| 29      | D4+         |             |
| 30      | D3-         |             |
| 31      | D3+         |             |
| 32      | AGND_USB    |             |
| 33      | DGND_USB    | DVCC_USB    |
| 34      | PCICLK      | VCC         |

| Pin No. | Signal Name | Power Plane |
|---------|-------------|-------------|
| 35      | GNT#        | VCC         |
| 36      | REQ#        |             |
| 37      | AD31        |             |
| 38      | AD30        |             |
| 39      | AD29        |             |
| 40      | GND         |             |
| 41      | VCC         |             |
| 42      | AD28        |             |
| 43      | AD27        |             |
| 44      | AD26        |             |
| 45      | AD25        |             |
| 46      | CLKRUN#     |             |
| 47      | GND         |             |
| 48      | AD24        |             |
| 49      | C/BE3#      |             |
| 50      | IDSEL       |             |
| 51      | AD23        |             |
| 52      | AD22        |             |
| 53      | PWRON1#     |             |
| 54      | PWRFLT1#    |             |
| 55      | AD21        |             |
| 56      | AD20        |             |
| 57      | AD19        |             |
| 58      | AD18        |             |
| 59      | GND         |             |
| 60      | VCC         |             |
| 61      | AD17        |             |
| 62      | AD16        |             |
| 63      | C/BE2#      |             |
| 64      | FRAME#      |             |
| 65      | VCC         |             |
| 66      | GND         |             |
| 67      | IRDY#       |             |
| 68      | TRDY#       |             |

| Pin No. | Signal Name | Power Plane |
|---------|-------------|-------------|
| 69      | DEVSEL#     | VCC         |
| 70      | STOP#       |             |
| 71      | PERR#       |             |
| 72      | PME#        |             |
| 73      | PWRON3#     |             |
| 74      | PWRFLT3#    |             |
| 75      | SERR#       |             |
| 76      | PAR         |             |
| 77      | C/BE1#      |             |
| 78      | AD15        |             |
| 79      | AD14        |             |
| 80      | GND         |             |
| 81      | VCC         |             |
| 82      | AD13        |             |
| 83      | AD12        |             |
| 84      | AD11        |             |
| 85      | GND         |             |
| 86      | AD10        |             |
| 87      | AD9         |             |
| 88      | AD8         |             |
| 89      | C/BE0#      |             |
| 90      | PWRON4#     |             |
| 91      | PWRFLT4#    |             |
| 92      | VCC         |             |
| 93      | AD7         |             |
| 94      | AD6         |             |
| 95      | AD5         |             |
| 96      | GND         |             |
| 97      | SMI#        |             |
| 98      | INTB#       |             |
| 99      | AD4         |             |
| 100     | AD3         |             |

# FireLink USB

## 82C862

[查询"82C862"供应商](#)

### 3.3 Signal Descriptions

#### 3.3.1 Clock and Reset Interface Signals

| Signal Name    | Pin No. | Pin Type | Signal Description  |
|----------------|---------|----------|---|
| PCICLK         | 34      | I        | <b>PCI Clock:</b> This input provides timing for all cycles on the host PCI bus; normally 33MHz. All other PCI signals are sampled on the rising edge of PCLK (timing parameters refer to this edge).   |
| X1/CLK48<br>X2 | 6<br>8  | I<br>O   | <b>USB Clock:</b> The CLK48 input provides timing for USB data signals; this clock must be 48MHz for proper USB operation. As an option, a 12MHz crystal can be connected across X1 and X2, in which case an internal PLL will develop the 48MHz signal. Refer to the TEST0-TEST1 strap options for selecting the mode of operation.  |
| RESET#         | 19      | O        | <b>Reset:</b> If RESET# is asserted for a minimum of 1 $\mu$ s while PCICLK is stable at 33MHz, it causes the 82C862 to enter its default state (all registers are set to their default values).<br><br>AD[31:0], C/BE[3:0]#, and PAR are always driven low by the 82C862 synchronously from the leading edge of RESET# and are always tristated from the trailing edge of RESET#. FRAME#, IRDY#, TRDY#, STOP#, and DEVSEL# are tristated from the leading edge of RESET# and remain so until driven as either a master or slave by the 82C862. RESET# may be asynchronous to PCICLK when asserted or negated, however, negation must occur with a clean, bounce-free edge. |

#### 3.3.2 PCI Bus Interface Signals

| Signal Name | Pin No.   | Pin Type | Signal Description   |
|-------------|---|----------|--|
| AD[31:0]    | 37:39,<br>42:45,<br>49, 51,<br>55:58,<br>61:62,<br>78:79,<br>82:84,<br>86:88,<br>93:95,<br>99:100,<br>2:1 | I/O      | <b>Address and Data Lines 31 through 0:</b> This bus carries the address and/or data during a PCI bus cycle. A PCI bus cycle has two phases - an address phase which is followed by one or more data phases. During the initial clock of the bus cycle, the AD bus contains a 32-bit physical byte address. AD[7:0] is the least significant byte (LSB) and AD[31:24] is the most significant byte (MBS). After the first clock of the cycle, the AD bus contains data.<br><br>When the 82C862 is the target, AD[31:0] are inputs during the address phase. For the data phase(s) that follow, the 82C862 may supply data on AD[31:0] in the case of a read or accept data in the case of a write.<br><br>When the 82C862 is the master, it drives a valid address on AD[31:2] during the address phase, and drives write or accepts read data on AD[31:0] during the data phase. As a master, the 82C862 always drives AD[1:0] low. |
| C/BE[3:0]#  | 49, 63,<br>77, 89   | I/O      | <b>Bus Command and Byte Enables 3 through 0:</b> These signals provide the command type information during the address phase and carry the byte enable information during the data phase. C/BE0# corresponds to byte 0, C/BE1# to byte 1, C/BE2# to byte 2, and C/BE3# to byte 3. If the 82C862 is the initiator of a PCI bus cycle, it drives C/BE[3:0]#. When it is the target, it samples C/BE[3:0]#.   |

[查询"82C862"供应商](#)

|        |    |                |  |
|--------|----|----------------|--|
| PAR    | 76 | O              | <p><b>Even Parity:</b> The 82C862 calculates PAR for both the address and data phases of PCI cycles. PAR is valid one PCI clock after the associated address or data phase, but may or may not be valid for subsequent clocks. It is calculated based on 36 bits - AD[31:0] plus C/BE[3:0]#. "Even" parity means that the sum of the 36 bit values plus PAR is always an even number, even if one or more bits of C/BE[3:0]# indicate invalid data.</p>  |
| FRAME# | 64 | I/O<br>(s/t/s) | <p><b>Cycle Frame:</b> This signal is driven by the current PCI bus master to indicate the beginning and duration of an access. The master asserts FRAME# at the beginning of a bus cycle, sustains the assertion during data transfers, and then negates FRAME# in the final data phase.</p> <p>FRAME# is an input when the 82C862 is the target and an output when it is the initiator.</p> <p>FRAME# is tristated from the leading edge of RESET# and remains tristated until driven as either a master or slave by the 82C862.</p>   |
| IRDY#  | 67 | I/O<br>(s/t/s) | <p><b>Initiator Ready:</b> IRDY#, along with TRDY#, indicates whether the 82C862 is able to complete the current data phase of the cycle. IRDY# and TRDY# are both asserted when a data phase is completed.</p> <p>During a write, the 82C862 asserts IRDY# to indicate that it has valid data on AD[31:0]. During a read, the 82C862 asserts IRDY# to indicate that it is prepared to accept data.</p> <p>IRDY# is an input when the 82C862 is a target and an output when it is the initiator.</p> <p>IRDY# is tristated from the leading edge of RESET# and remains tristated until driven as either a master or a slave by the 82C862.</p>   |
| TRDY#  | 68 | I/O<br>(s/t/s) | <p><b>Target Ready:</b> TRDY#, along with IRDY#, indicates whether the 82C862 is able to complete the current data phase of the cycle. TRDY# and IRDY# are both asserted when a data phase is completed.</p> <p>When the 82C862 is acting as the target during read and write cycles, it performs in the following manner:</p> <ol style="list-style-type: none"> <li>1. During a read, the 82C862 asserts TRDY# to indicate that it has placed valid data on AD[31:0].</li> <li>2. During a write, the 82C862 asserts TRDY# to indicate that is prepared to accept data.</li> </ol> <p>TRDY# is an input when the 82C862 is the initiator and an output when it is the target.</p> <p>TRDY# is tristated from the leading edge of RESET# and remains so until driven as either a master or a slave by the 82C862.</p> |
| STOP#  | 70 | I/O<br>(s/t/s) | <p><b>Stop:</b> STOP# is an output when the 82C862 is the target and an input when it is the initiator. As the target, the 82C862 asserts STOP# to request that the master stop the current cycle. As the master, the assertion of STOP# by a target forces the 82C862 to stop the current cycle.</p> <p>STOP# is tristated from the leading edge of RESET# and remains so until driven by the 82C862 acting as a slave.</p>   |

# FireLink USB 82C862

[查询"82C862"供应商](#)

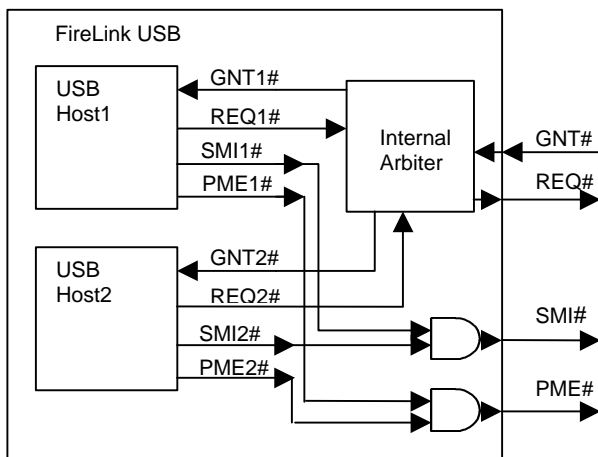
|         |    |                |  |
|---------|----|----------------|--|
| DEVSEL# | 69 | I/O<br>(s/t/s) | <p><b>Device Select:</b> The 82C862 claims a PCI cycle via positive decoding by asserting DEVSEL#. As an output, the 82C862 drives DEVSEL# for two different reasons:</p> <ol style="list-style-type: none"> <li>1. If the 82C862 samples IDSEL active in configuration cycles, DEVSEL# is asserted.</li> <li>2. When the 82C862 decodes an internal address or when it subtractively decodes a cycle, DEVSEL# is asserted</li> </ol> <p>When DEVSEL# is an input, it indicates the target response to an 82C862 master-initiated cycle. DEVSEL# is tristated from the leading edge of RESET# and remains so until driven by the 82C862 acting as a slave.</p> |
| IDSEL   | 50 | I              | <p><b>Initialization Device Select:</b> This signal is the "chip select" during configuration read and write cycles. IDSEL is sampled by the 82C862 during the address phase of a cycle. If IDSEL is found to be active and the bus command is a configuration read or write, the 82C862 claims the cycle with DEVSEL#.</p>  |
| PERR#   | 71 | I/O            | <p><b>Parity Error:</b> The 82C862 uses this line to report data parity errors during any PCI cycle except a Special Cycle.</p>  |
| SERR#   | 75 | I              | <p><b>System Error:</b> The 82C862 uses this line to report address parity errors and data parity errors on the Special Cycle command, or any other system error where the result will be catastrophic.</p>  |
| REQ#    | 36 | O              | <p><b>Bus Request:</b> REQ# is asserted by the 82C862 to request ownership of the PCI bus.</p>   |
| GNT#    | 35 | I              | <p><b>Bus Grant:</b> GNT# is sampled by the 82C862 for an active low assertion, which indicates that it has been granted use of the PCI bus.</p>   |
| CLKRUN# | 46 | I/O            | <p><b>Clock Run:</b> The CLKRUN# function is available on this pin and can be used to reduce chip power consumption during idle periods. It is an I/O sustained tristate signal and follows the PCI 2.1 defined protocol.</p>  |
| GPIO2   |    |                | <p><b>General Purpose I/O pin 2:</b> These pins can be written or read by specific application software. Refer to PCICFG 53-55h for information.</p>   |

### 3.3.3 USB Interface Signals

| Signal Name                                  | Pin No.              | Pin Type | Signal Description   |
|--|----------------------|----------|--|
| D1+/D1-                                      | 13/14                | diff     | <b>USB Port 1 Differential Data Pair:</b> This pair comes from the first controller.   |
| D2+/D2-                                      | 15/16                | diff     | <b>USB Port 2 Differential Data Pair:</b> This pair comes from the first controller.   |
| D3+/D3-                                      | 28/29                | diff     | <b>USB Port 3 Differential Data Pair:</b> This pair comes from the second controller.  |
| D4+/D4-                                      | 30/31                | diff     | <b>USB Port 4 Differential Data Pair:</b> This pair comes from the second controller.  |
| PWRON1#<br>PWRON2#<br>PWRON3#<br>PWRON4#     | 53<br>24<br>73<br>90 | O        | <b>Power On Lines 1, 2, 3 and 4:</b> These outputs are used to switch port VCC for the respective USB port. The controlled VCC is used only by the device connected to the port, and is not used by the 82C862 controller.                   |
| PWRFLT1#<br>PWRFLT2#<br>PWRFLT3#<br>PWRFLT4# | 54<br>23<br>74<br>91 | I        | <b>Power Fault Lines 1, 2, 3 and 4:</b> These inputs indicate that an over-current fault has occurred on the respective USB port. Their polarity can be both strap- and software-controlled: Refer to the Strap Options section for details. |

### 3.3.4 Host Controller shared signals: PME#, SMI#, REQ#, GNT#

Several other signals are shared by both host controllers in addition to the bused PCI signals. The shared signals are all active low. The diagram below best explains the internal connections of the 82C862 device.



### 3.3.5 Legacy and Interrupt Interface Signals

| Signal Name | Pin No. | Pin Type | Signal Description  |
|-------------|---------|----------|---|
| SMI#        | 97      | O        | <b>System Management Interrupt:</b> This signal is used to request a System Management Mode (SMM) interrupt. It can be connected to a spare EPMI pin on the host chipset.   |
| GPIO4       |         |          | <b>General Purpose I/O pin 4:</b> These pins can be written or read by specific application software. Refer to PCICFG 53-55h for information.   |
| PME#        | 72      | special  | <b>Power Management Event:</b> This signal is used to wake up the system from a PCI Power Management (PCI/PM) power saving mode. This pin is normally tri-stated and is driven low when active.<br><br><b>Note:</b> When unpowered, the PME# driver output circuit will not be damaged if PME# is powered from another source. Moreover, once power is removed from the chip, this pin does not present a current path to ground. |
| GPIO3       |         |          | <b>General Purpose I/O pin 3:</b> These pins can be written or read by specific application software. Refer to PCICFG 53-55h for information.   |
| INTA#       | 1       | O        | <b>PCI Interrupt A:</b> This signal can be connected to a PCI interrupt line.   |
| TEST0       | 21      | I/O      | <b>TEST Pin 0:</b> This pin is sampled by the chip at reset time to put the logic into a test mode if needed. See the STRAP OPTIONS section for details.  |
| GPIO0       |         |          | <b>General Purpose I/O pin 0:</b> These pins can be written or read by specific application software. Refer to PCICFG 53-55h for information.   |
| TEST1       | 25      | I/O      | <b>TEST Pin 1:</b> This pin is sampled by the chip at reset time to put the logic into a test mode if needed. See the STRAP OPTIONS section for details.  |
| GPIO1       |         |          | <b>General Purpose I/O pin 1:</b> These pins can be written or read by specific application software. Refer to PCICFG 53-55h for information.   |

# FireLink USB 82C862

## 3.3.6 [查看82C862供电引脚](#) Power and Ground Pins

| Signal Name | Pin No.                          | Pin Type | Signal Description   |
|-------------|----------------------------------|----------|--|
| VCC         | 7, 22, 41,<br>60, 65,<br>81, 92, | P        | <b>3.3V Power Connection:</b> Core voltage is always 3.3V. However, the PCI interface can be 5V as the PCI inputs are 5V-tolerant. |
| AVCC_PLL    | 10                               | P        | <b>PLL Analog Power:</b> Connect to low-noise 3.3V.  |
| AVCC_USB    | 17, 27                           | P        | <b>USB I/O Analog Power:</b> Connect to low-noise 3.3V.  |
| DVCC_USB    | 18, 26                           | P        | <b>USB I/O Digital Power:</b> Connect to 3.3V.   |
| GND         | 20,40,47,<br>59,66,80,<br>85,96  | G        | <b>Core Digital Ground:</b> Connect to board ground.   |
| AGND_PLL    | 9                                | G        | <b>PLL Analog Ground:</b> Connect to same board ground as GND.   |
| AGND_USB    | 12, 32                           | G        | <b>USB I/O Analog Ground:</b> Connect to same board ground as GND.   |
| DGND_USB    | 11, 33                           | G        | <b>USB I/O Digital Ground:</b> Connect to same board ground as GND.  |

[查询"82C862"供应商](#)

### 3.3.7 Strap Options

The 82C862 component offers several operating mode choices at power-up time. These choices are selected through a strap resistor that pulls the related pin either up or down to the required level. A 4.7k ohm resistor is recommended.

**Table 2. Strap Selected Options**

| Pin            |              | Mode   |
|----------------|--------------|--|
| <b>PWRON3#</b> |              | <b>Enable/Disable Second Host</b>  |
| 1              |              | Enable Second USB Host Controller (Function 1) [DEFAULT]   |
| 0              |              | Disable Second USB Host Controller. All clocks going to the logic for the second host are stopped to reduce power consumption.   |
| <b>TEST0</b>   | <b>TEST1</b> | <b>Mode Operation</b>  |
| 0              | 0            | PLL Operational Mode using 12 MHz crystal on X1 and X2 [DEFAULT]   |
| 0              | 1            | 48 MHz clock Operation Mode. X1 connects to 48 MHz clock, X2 no-connect.   |
| 1              | 1            | NAND Tree test mode  |
| 1              | 0            | Tristate test mode   |
| <b>SMI#</b>    |              | <b>PCI Power Management PME# function / Reference USB clock</b>  |
| 0              |              | PME# becomes 48 MHz reference clock output from PLL. Used for testing PLL. Also disables PCI power management, PCICFG 06h[4] = 0.  |
| 1              |              | Enables PME# function and PCI power management, PCICFG 06h[4]=1. [DEFAULT]   |
| <b>PWRON2#</b> |              | <b>Global/Individual Power Control</b>   |
| 1              |              | Individual PWRON# and PWRFLT# for each port: [DEFAULT]<br>HcRhDescA NoPowerSwitching=0 (MEMOFST 49h[1])<br>HcRhDescA PowerSwitchingMode=1 (MEMOFST 49h[0])<br>HcRhDescB PortPowerControlMask bit1,bit2=1,1 (MEMOFST4Eh[1,2])<br>HcRhDescA NoOvercurrentProtection=0 (MEMOFST 49h[4])<br>HcRhDescA OvercurrentProtectionMode=1 (MEMOFST 49h[3]) |
| 0              |              | Global PWRON# and PWRFLT# for each port:<br>HcRhDescA NoPowerSwitching=0 (MEMOFST 49h[1])<br>HcRhDescA PowerSwitchingMode=0 (MEMOFST 49h[0])<br>HcRhDescB PortPowerControlMask bit1,bit2=0,0 (MEMOFST4Eh[1,2])<br>HcRhDescA NoOvercurrentProtection=0 (MEMOFST 49h[4])<br>HcRhDescA OvercurrentProtectionMode=0 (MEMOFST 49h[3])               |

# FireLink USB

## 82C862

---

[查询"82C862"供应商](#)



## 4.0 Functional Description

### 4.1 Universal Serial Bus (USB)

The 82C862 controller supports a PCI-based implementation of Universal Serial Bus utilizing the OpenHCI core developed by Compaq. The logic core consists of two USB host controller modules (making the 82C862 part a multi-function PCI device), and a PCI interface controller.

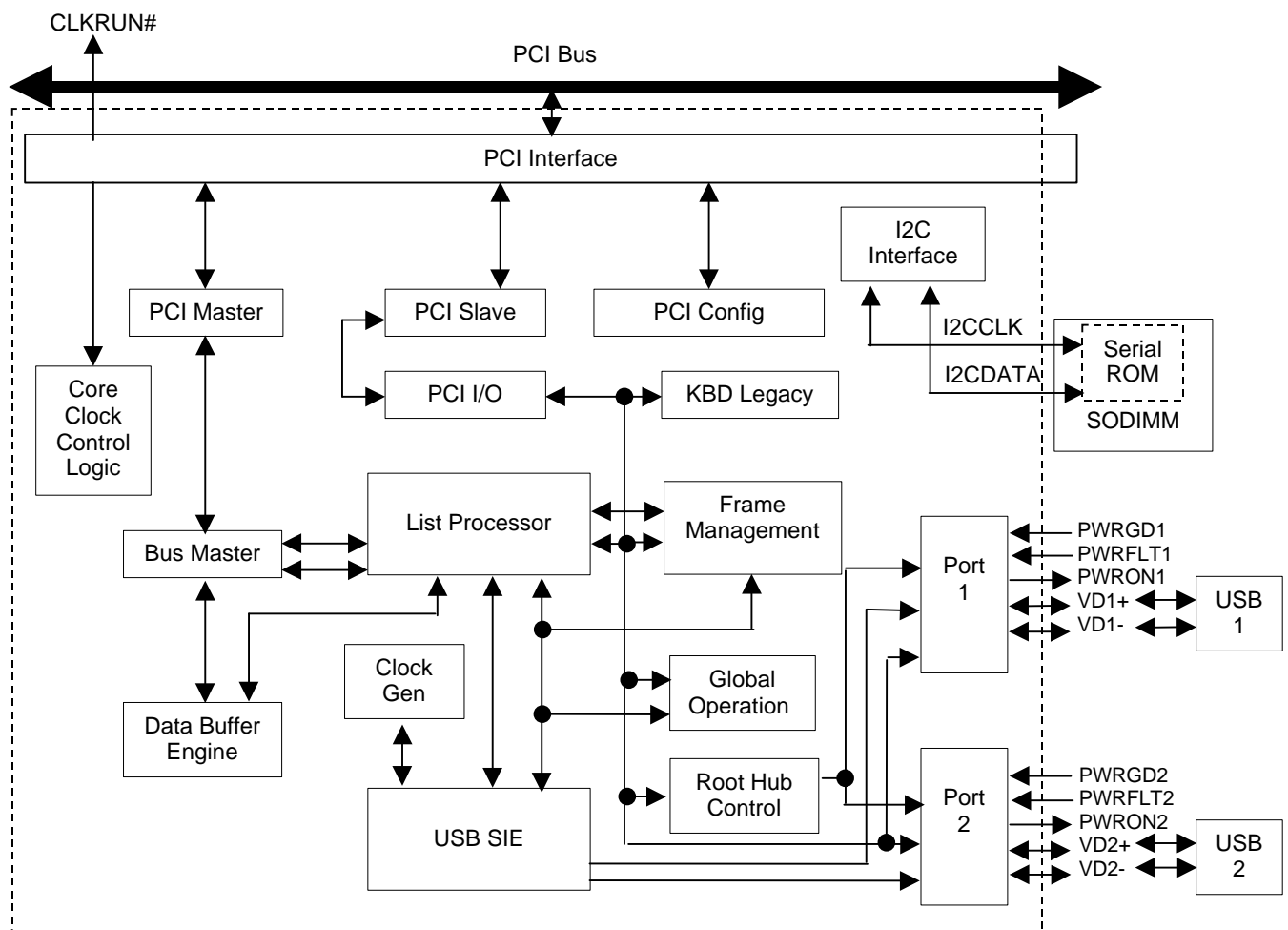
Each USB host controller module contains an integrated root hub that supports two downstream USB hubs or devices. Keyboard and mouse legacy support are also included for DOS compatibility with USB devices. This legacy support operates in conjunction with the primary host controller module as described later in this document.

This document must be used along with the following public domain reference documents to get the complete functional description of the USB core implementation.

- USB Specification, Revision 1.1
- OpenHCI Specification, Revision 1.0a
- PCI Specification, Version 2.1

A functional block diagram of one of the two USB controller modules is given in Figure 4-1. The other is identical.

**Figure 4-1 USB Functional Block Diagram**



# FireLink USB 82C862

[查询"82C862"供应商](#)

## 4.2 PCI Controller

The PCI controller interfaces the host controller to the PCI bus. As a master, the PCI controller is responsible for running cycles on the PCI bus on behalf of the host controller. As a target, the PCI controller monitors the cycles on the PCI bus and determines when to respond to these cycles. A USB host controller module is a PCI target when it decodes cycles to its internal PCI configuration registers or to its internal PCI memory mapped I/O registers. The PCI controller asserts DEVSEL# in medium decode timing to claim a PCI transaction.

Since two PCI-interfaced USB controller modules reside on-chip, the logic includes an internal arbiter to select between the two modules when one or both make a bus mastering request.

The PCI configuration space of the primary USB host controller module is accessed as Device #X, Function #0, where Device #X depends on which AD line is connected to the IDSEL input. For the secondary USB host controller module, PCI configuration register space is accessed as Function #1 instead. PCI configuration space is hereafter referred to as PCICFG.

Table 3 gives a register map of the PCICFG register space (duplicated for each of the two functions). Refer to Section 5.1, "PCICFG Register Space" for detailed bit information.

**Table 3. PCI Controller Register Map**

| PCICFG  | R/W | Register Name           |
|---------|-----|-------------------------|
| 00h-01h | RO  | Vendor ID               |
| 02h-03h | RO  | Device ID               |
| 04h-05h | R/W | Command                 |
| 06h-07h | R/W | Status                  |
| 08h     | RO  | Revision ID             |
| 09h-0Bh | RO  | Class Code              |
| 0Ch     | R/W | Cache Line Size         |
| 0Dh     | R/W | Master Latency Timer    |
| 0Eh     | RO  | Header Type             |
| 0Fh     | --  | Reserved                |
| 10h-13h | R/W | Base Address Register 0 |
| 14h-2Bh | --  | Reserved                |
| 2Ch-2Dh | RO  | Subsystem Vendor        |
| 2Eh-2Fh | RO  | Subsystem ID            |
| 30h-3Bh | --  | Reserved                |
| 3Ch     | R/W | Interrupt Line          |
| 3Dh     | R/W | Interrupt Pin           |
| 3Eh     | R/W | Minimum Grant           |

| PCICFG  | R/W | Register Name             |
|---------|-----|---------------------------|
| 3Fh     | R/W | Maximum Latency           |
| 40h-45h | --  | Reserved for factory test |
| 46h-4Bh | --  | Reserved                  |
| 4Ch     | R/W | Interrupt Pin Selection   |
| 4Dh     | R/W | Miscellaneous Control     |
| 4Eh-4Fh | --  | Reserved                  |
| 50h     | R/W | PCI Host Feature Control  |
| 51h     | --  | Reserved                  |
| 52h     | R/W | Strap Option Override     |
| 53h     | R/W | GPIO Select               |
| 54h     | R/W | GPIO Output Enable        |
| 55h     | R/W | GPIO Data                 |
| 56h-7Bh | --  | Reserved                  |
| 7Ch-7Fh | R/W | Subsystem ID Restore      |
| 80h-EFh | --  | Reserved                  |
| F0h-F5h | R/W | PCI Power Management      |
| F6h-FFh | --  | Reserved                  |

### 4.3 Clock Generation

The USB core requires an accurate 48MHz internal clock for proper operation. This clock can be obtained either by connecting an external 48MHz oscillator, or by connecting a 12MHz crystal.

To use the external 48MHz clock, connect the clock source to the X1 pin and strap TEST1 high. The X2 pin is not used in this configuration and must be left floating. This clock must be accurate to +/- 0.2%, or 2000ppm.

To use a 12MHz crystal, connect it to the X1 and X2 pins and strap TEST1 low. An internal PLL develops the required 48MHz clock. This PLL can be powered down when not in use through the PCI Power Management registers. Since the 12MHz clock generated is used to develop 48MHz internally, its accuracy must be within +/- 0.05%, or 500ppm.

### 4.4 Power Management Features

FireLink USB 82C862 implements new power management features which can reduce the overall power consumed in mobile USB applications. Key features are as follows.

The OS can put each USB controller module individually into USBSuspend state.

Once in USBSuspend state, the BIOS can turn off the USB I/O cells on each port for further power savings.

The external PCI clock can be stopped if system hardware is designed to use the CLKRUN# pin from the 82C862 chip, which can also be used to awaken the system.

The external 48MHz USB clock can also be stopped along with the PCICLK when the system will be put into a Standby mode.

USB clocks to each of the internal modules can be stopped independently through the PCI power management registers.

Each of these features is described in the sections below.

#### 4.4.1 Putting FireLink into USBSuspend State

Before a host system goes into a suspend state, the operating system should put the OHCI USB controller into USBSuspend mode by writing to register MEMOFST 04h[7:6] = 11.

#### 4.4.2 Powering Down the USB I/O Cells

Once in USBSuspend state, the USB I/O cells can be disabled to reduce power by setting PCICFG 50h[1:0] = 11. If this feature is used, the I/O cells should be disabled by the BIOS before going into system-level Suspend, and re-enabled by the BIOS before giving control back to the operating system.

#### 4.4.3 Stopping the 48MHz USB Clock

After the controller is put into USBSuspend state, still another step can be taken to further reduce power consumption: stop the 48MHz USB clock. If this route is taken, the USB clock must be stopped and started in a glitch free manner. The usual means of effecting this control would be through software control of the system clock generator circuit.

Once the USB clock is stopped, the system can be awakened by using PME#, which will be asserted on a USB wake up event (resume signalling, connect, disconnect). This system event should be designed to restart the 48MHz clock to the USB controller.

#### 4.4.4 Using CLKRUN#

The CLKRUN# pin is always operational in the 82C862 part; no enabling is required. The PCI Mobile Design Guide, available from the PCISIG, describes the operation of CLKRUN# in detail. Briefly, connected devices monitor this pin to see if it goes high, indicating that the host wants to stop the system PCICLKs. If the line goes high, connected devices are allowed to momentarily drive the pin low. The host will then take over driving this pin low until it wants to try again to stop the clocks.

The host system uses CLKRUN# to determine whether or not the 82C862 USB controller requires a PCI clock by releasing CLKRUN#, which is always pulled high with a resistor. The USB controller power management logic will drive this pin low again as required by the CLKRUN# specification if the controller is using the clock, i.e. whenever a USB device is attached. If the controller does not drive the clock low, the system is free to slow or stop the PCI clock.

# FireLink USB

## 82C862

### 4.4.5 [Stopping the Internal USB Clocks](#)

The 82C862 device is equipped with PCI Power Management registers. When either function is set to D3hot mode, its internal USB clock is switched off to effect a significant reduction in power consumption. Returning the system to D0 will restart the internal USB clock.

### 4.4.6 Power Control Modes

The 82C862 pinout includes the following signals for controlling and monitoring USB power for the respective USB port:

- PWRON1-4# are active-low outputs to turn USB power on.
- PWRFLT1-4# are active-low inputs to detect over current.

At design time, it must be decided whether these control and monitoring signals will be used independently on a per-port basis (ideal situation), or paired together (for lower component cost). Consequently, the chip can strap into one of two power control modes:

- Individual PWRON# and PWRFLT# - entered when PWRON2# is sensed high at reset
- Global PWRON# and PWRFLT# - entered when PWRON2# is sensed low at reset.

The 82C862 part supports two modes for turning on power to the respective USB ports: Global and Individual (per-port). This logic is contained in the Root Hub partition of each USB controller module, and consists of a portion for the Root Hub itself as well as portions for each individual port. The operation of Global and Individual power switching is explained below.

**Global Power Switching** is the mode that is supported in the original 82C861 design. In this mode either PWRON1# or PWRON2# can be used to turn on power for both ports on USB Host 1, and either PWRON3# or PWRON4# can be used to turn on power for both ports USB Host 2. When supporting this mode the following registers are of significance:

| Register                           | Field  | Value or Function  |
|------------------------------------|--|--|
| HcRhDescriptorA                    | NoPowerSwitching<br>MEMOFST 49h[1]                                       | 0: Ports are power switched  |
| HcRhDescriptorA                    | PowerSwitchingMode<br>MEMOFST 49h[0]                                     | 0: All ports are powered at the same time  |
| HcRhDescriptorB                    | PortPowerControlMask<br>MEMOFST 4Eh[2:1]                                 | Not Used   |
| HcRhStatus                         | ClearGlobalPower (write)<br>MEMOFST 50h[0]                               | This bit is written to '1' to turn OFF power to all ports.                               |
| HcRhStatus                         | SetGlobalPower (write)<br>MEMOFST 52h[0]                                 | This bit is written to '1' to turn ON power to all ports.                                |
| HcRhPort1Status<br>HcRhPort2Status | PortPowerStatus (read)<br>MEMOFST 55h[0] port 1<br>MEMOFST 59h[0] port 2 | 0=port power is off<br>1=port power is on<br>Only Set/ClearGlobalPower controls this bit |

[查询"82C862"供应商](#)

**Individual Power Switching** is the mode in which the power to the USB ports can be controlled individually by using the Port Status registers for each port, or can also be controlled globally depending on the value in the PowerControlMask register. When strapping into this mode, the PowerControlMask registers will be set. All four signals, PWRON1#, PWRON2#, PWRON3#, and PWRON4# will be used to turn on the respective USB ports power and will be independently controlled. When supporting this mode the following registers are of significance:

| Register                           | Field  | Value or Function  |
|------------------------------------|--|--|
| HcRhDescriptorA                    | NoPowerSwitching<br>MEMOFST 49h[1]                                       | 0: Ports are power switched  |
| HcRhDescriptorA                    | PowerSwitchingMode<br>MEMOFST 49h[0]                                     | 1: Each port is powered individually. This mode allows the port to be either global or individual controlled depending on value in PortPowerControlMask.   |
| HcRhDescriptorB                    | PortPowerControlMask<br>MEMOFST 4Eh[2:1]                                 | This register determines if the ports power is controlled individually by the Port Status register, or globally by the Root Hub Status register.<br>0=port uses global Set/ClearGlobalPower<br>1=port uses per-port Set/ClearPortPower |
| HcRhStatus                         | ClearGlobalPower (write)<br>MEMOFST 50h[0]                               | This bit is written to '1' to turn off power to ports whose PortPowerControlMask=0.  |
| HcRhStatus                         | SetGlobalPower (write)<br>MEMOFST 52h[0]                                 | This bit is written to '1' to turn on power to ports whose PortPowerControlMask=0.   |
| HcRhPort1Status<br>HcRhPort2Status | PortPowerStatus (read)<br>MEMOFST 55h[0] port 1<br>MEMOFST 59h[0] port 2 | 0=port power is off<br>1=port power is on<br>If per-port switching is enabled for this port, then only Set/ClearPortPower affect this bit. If global mode is enabled, then Set/ClearGlobalPower control this bit.                      |
| HcRhPort1Status<br>HcRhPort2Status | SetPortPower (write)<br>MEMOFST 55h[0] port 1<br>MEMOFST 59h[0] port 2   | 1: sets PortPowerStatus<br>Only valid if port is enabled for per-port switching.   |
| HcRhPort1Status<br>HcRhPort2Status | ClearPortPower (write)<br>MEMOFST 55h[1] port 1<br>MEMOFST 59h[1] port 2 | 1: clear PortPowerStatus<br>Only valid if port is enabled for per-port switching.  |

# FireLink USB

## 82C862

The 82C862 logic also supports [查询"82C862"供应商](#) both Global and per-port overcurrent detection as follows.

**Global overcurrent mode** – either PWRFLT1# or PWRFLT2# can be used to detect an overcurrent condition on any port on USB Host 1, and either PWRFLT3# or PWRFLT4# can be used to detect an overcurrent condition on any port on USB Host 2. For example, if PWRFLT1# is asserted, it means an overcurrent condition exists on USB Host 1, resulting in power shutoff for both ports on USB Host 1, and setting of the appropriate global overcurrent indicator bits.

| Register                           | Field  | Value or Function   |
|------------------------------------|--|---|
| HcRhDescriptorA                    | NoOvercurrentProtection<br>MEMOFST 49h[4]  | 0: Over-current status is reported  |
| HcRhDescriptorA                    | OverCurrentProtectionMode<br>MEMOFST 49h[3]                                      | 0: Global - Over-current reported collectively for all ports                                |
| HcRhStatus                         | OverCurrentIndicator<br>MEMOFST 50h[1]   | 1: Global over-current exists<br>0: power operations normal                                 |
| HcRhStatus                         | OverCurrentIndicatorChange<br>MEMOFST 52h[1]                                     | Set by hardware when<br>OverCurrentIndicator bit changes.<br>Write a '1' to clear this bit. |
| HcRhPort1Status<br>HcRhPort2Status | PortOverCurrentIndicator<br>MEMOFST 54h[3] port 1<br>MEMOFST 58h[3] port 2       | Not used, set to '0' for global over-current.   |
| HcRhPort1Status<br>HcRhPort2Status | PortOverCurrentIndicatorChange<br>MEMOFST 56h[3] port 1<br>MEMOFST 5Ah[3] port 2 | Not used, set to '0' for global over-current.   |

**Per-Port overcurrent mode** – PWRFLT1 #, PWRFLT2#, PWRFLT3#, and PWRFLT4# are all used to monitor each port individually. If an overcurrent condition exists on one port, power is only shut off to that port.

| Register                           | Field  | Value or Function   |
|------------------------------------|--|---|
| HcRhDescriptorA                    | NoOvercurrentProtection<br>MEMOFST 49h[4]  | 0: Over-current status is reported  |
| HcRhDescriptorA                    | OverCurrentProtectionMode<br>MEMOFST 49h[3]                                      | 1: Over-current is reported on a per-port basis   |
| HcRhStatus                         | OverCurrentIndicator<br>MEMOFST 50h[1]   | Not used, always '0' for per-port over-current mode.  |
| HcRhStatus                         | OverCurrentIndicatorChange<br>MEMOFST 52h[1]                                     | Not used, always '0' for per-port over-current mode.  |
| HcRhPort1Status<br>HcRhPort2Status | PortOverCurrentIndicator<br>MEMOFST 54h[3] port 1<br>MEMOFST 58h[3] port 2       | 0: no over-current condition<br>1: over-current condition exists                                |
| HcRhPort1Status<br>HcRhPort2Status | PortOverCurrentIndicatorChange<br>MEMOFST 56h[3] port 1<br>MEMOFST 5Ah[3] port 2 | Set by hardware when<br>PortOverCurrentIndicator bit<br>changes. Write a '1' to clear this bit. |

[查询"82C862"供应商](#)

### 4.5 Host Controller

This block is the operational control block in the USB core. It is responsible for the host controller operational states (Suspend, Disabled, Enabled), special USB signaling (Reset, Resume), status, interrupt control, and host controller configuration information.

The host controller (HC) interface registers are PCI memory mapped I/O, hereafter referred to as MEMOFST. Table 4-2 gives a register map for the MEMOFST register space. Refer to Section 5.2, "Host Controller Register Space" for detailed bit information.

**Table 4. Host Controller Register Map**

| MEMOFST | R/W | Register Name       |
|---------|-----|---------------------|
| 00h-03h | RO  | HcRevision          |
| 04h-07h | R/W | HcControl           |
| 08h-0Bh | R/W | HcCommandStatus     |
| 0Ch-0Fh | R/W | HcInterruptStatus   |
| 10h-13h | R/W | HcInterrupt Enable  |
| 14h-17h | R/W | HcInterrupt Disable |
| 18h-1Bh | R/W | HcHCCA              |
| 1Ch-1Fh | R/W | HcPeriodCurrentED   |
| 20h-23h | R/W | HcControlHeadED     |
| 24h-27h | R/W | HcControlCurrentED  |
| 28h-2Bh | R/W | HcBulkHeadED        |
| 2Ch-2Fh | R/W | HcBulkCurrentED     |
| 30h-33h | R/W | HcDoneHead          |
| 34h-37h | R/W | HcFmInterval        |
| 38h-3Bh | R/W | HcFrameRemaining    |
| 3Ch-3Fh | R/W | HcFmNumber          |
| 40h-43h | R/W | HcPeriodicStart     |
| 44h-47h | R/W | HcLSThreshold       |
| 48h-4Bh | R/W | HcRhDescriptorA     |
| 4Ch-4Fh | R/W | HcRhDescriptorB     |
| 50h-53h | R/W | HcRhStatus          |
| 54h-57h | R/W | HcRhPort1Status     |
| 58h-5Bh | R/W | HcRhPort2Status     |

# FireLink USB

## 82C862

[查询"82C862"供应商](#)

### 4.5.1 Legacy Support

Four registers are provided for legacy support:

1. HceControl
  - Used to enable and control the emulation hardware and report various status information.
2. HceInput
  - Emulation side of the legacy Input Buffer register.
3. HceOutput
  - Emulation side of the legacy Output Buffer register where keyboard and mouse data is to be written by software.
4. HceStatus
  - Emulation side of the legacy Status register.

These registers are located in the Host Controller Register Space; from MEMOFST 100h through 10Fh. Table 4-3 shows a register map of these registers. Refer to Section 5.2.2, "Legacy Support Registers" for detailed bit information.

**Table 5. Legacy Support Register Map**

| MEMOFST   | R/W | Register Name |
|-----------|-----|---------------|
| 100h-103h | R/W | HceControl    |
| 104h-107h | R/W | HceInput      |
| 108h-10Bh | R/W | HceOutput     |
| 10Ch-10Fh | R/W | HceStatus     |

### 4.5.2 Intercept Port 60h and 64h Accesses

The HceStatus, HceInput, and HceOutput registers are accessible at I/O Ports 60h and 64h when emulation is enabled. Reads and writes to these registers using the I/O Ports do have some side effects as shown in Table 4-4. However, accessing these registers directly through their memory address produces no side effects.

When emulation is enabled, I/O accesses of Ports 60h and 64h must be handled by the Host Controller (HC). The HC must be positioned in the system so that it can do a positive decode of accesses to Ports 60h and 64h on the PCI bus. If a keyboard controller is present in the system, it must either use subtractive decode or have provisions to disable its decode of Ports 60h and 64h. If the legacy keyboard controller uses positive decode and is turned off during emulation, it must be possible for the emulation code to quickly re-enable and disable the legacy keyboard controller Port 60h and 64h decode. This is necessary to support a mixed operating environment.

**Table 6. Emulated Registers and Side Effects**

| Register Contents Accessed/Modified | Side Effect  |
|-------------------------------------|--|
| HceOutput                           | <ul style="list-style-type: none"><li>• A read from Port 60h will set the Output Full bit (MEMOFST 10Ch[0]) to 0.</li></ul>  |
| HceInput                            | <ul style="list-style-type: none"><li>• A write to Port 60h will set the Input Full bit (MEMOFST 10Ch[1]) to 1 and the Cmd Data bit (MEMOFST 10Ch[3]) to 0.</li><li>• A write to Port 64h will set the: Input Full bit (MEMOFST 10Ch[1]) to 0 and the Cmd Data bit (MEMOFST 10Ch[3]) to 1.</li></ul> |
| HceStatus                           | <ul style="list-style-type: none"><li>• A read from Port 64h returns the current value of the HceStatus register.</li></ul>  |



[查询"82C862"供应商](#)

### 4.6 General Purpose Pins

The strap pins TEST0, TEST1, CLKRUN#, PME#, and SMI# are multifunction pins that offer general purpose I/O (GPIO) functionality.

At reset time these pins are always input pins. After being sampled at reset to determine strap selections for the chip logic, these pins can be programmatically selected to be GPIO signals. TEST0 and TEST1 are automatically available as GPIO pins after reset is de-asserted, since they have no other assigned functions. The other pins must be specifically enabled for GPIO if their primary function assignment is not needed. The PIO mapping is as follows.

| Signal  | PIO signal mapped to |
|---------|----------------------|
| TEST0   | PIO0                 |
| TEST1   | PIO1                 |
| CLKRUN# | PIO2                 |
| PME#    | PIO3                 |
| SMI#    | PIO4                 |

Refer to PCICFG 53h, 54h, and 55h for information on selection and direction of PIO pins. Note that PIO pins can be used along with host CPU software to generate I2C interface signaling; contact OPTi for details or sample code.

# FireLink USB

## 82C862

[查询"82C862"供应商](#)

---

## 5.0 Register Descriptions

The 82C862 has three types of register spaces:

1. PCI Configuration Register Space
2. Host Controller Register Space
3. I/O Register Space

The subsections that follow detail the locations and access mechanisms for the registers located within these register spaces.

- Notes:**
1. All bits/registers are read/write and their default value is 0 unless otherwise specified.
  2. All reserved bits/registers MUST be written to 0 unless otherwise specified.

### 5.1 PCICFG Register Space

The FireLink USB 82C862 part is a multi-function PCI device.

Function 0: Primary USB host controller module

Function 1: Secondary USB host controller module.

The two USB controller modules each have their own PCI configuration space. The configuration space of both USB controllers are similar except for the value in the Interrupt Pin register (PCICFG 3Dh) and the Interrupt Pin Selection register (PCICFG 4Ch), because the controllers are assigned different interrupt pins by default.

The configuration space of each PCI USB controller module is referred to as PCICFG. The bit formats for these registers are described in Section 5.1.2.

#### 5.1.1 Programming Differences from 82C861 Component

While the physical device part number of this chip is 82C862, the USB controller modules identify themselves as 82C861 to maintain backward software compatibility with the previous OPTi chip. Software can differentiate between the chips by reading the Revision ID of 20h in PCICFG 08h (previous revisions read back 10h or lower).

Additional revision 20h changes that relate to the programming interface are as follows.

- The 82C862 component adds PCI power management, reflected in changes in PCICFG 06h and the addition of PCICFG 34h, 4Dh, and F0-F5h.
- The 82C862 part provides a way to restore the Subsystem Vendor ID and Subsystem ID values in a single-step process, necessary for proper context restoration after the chip is powered down during OS Suspend operations. This new approach is reflected in the deletion of PCICFG 50h[3] and the addition of PCICFG 7C-7Fh.
- The specific I2C pins of the 82C861 part have been replaced by general purpose I/O pins, resulting in the deletion of PCICFG 4Eh.
- The IRQ Driveback feature is no longer supported, resulting in the deletion of PCICFG 51h and 54-57h.
- Changes to the chip pinout result in major changes to the PCICFG 52h bit definitions.
- PCICFG 4Ch has been added to allow both USB controller modules to share a single PCI interrupt.
- All bits of MEMOFST 4Bh are now read/writeable (previous chip versions allowed only bits [1:0] to be written).

# FireLink USB 82C862

[查询"82C862"供应商](#)

## 5.1.2 PCICFG 00h-FFh

| 7   | 6  | 5  | 4  | 3   | 2  | 1   | 0  |                      |
|---|--|--|--|---|--|---|--|----------------------|
| <b>PCICFG 00h</b>   |  |  |  |   |  |   | <b>Vendor Identification Register (RO)</b>   | <b>Default = 45h</b> |
| <b>PCICFG 01h</b>   |  |  |  |   |  |   |  | <b>Default = 10h</b> |
| <b>PCICFG 02h</b>   |  |  |  |   |  |   | <b>Device Identification Register (RO)</b>   | <b>Default = 61h</b> |
| <b>PCICFG 03h</b>   |  |  |  |   |  |   |  | <b>Default = C8h</b> |
| <b>PCICFG 04h</b>   |  |  |  |   |  |   | <b>Command Register - Byte 0</b>   | <b>Default = 00h</b> |
| Wait cycle control:<br>USB core does not need to insert a wait state between address and data on the AD lines. This bit is always 0.  | PERR# (response) detection enable bit:<br>0 = PERR# not asserted<br>1 = USB core can assert PERR# if it is the receiving data agent and detects a data parity error. | VGA palette snooping:<br>This bit is always 0. | Postable memory write command:<br>Not used when USB core is a master. This bit is always 0.          | Special Cycles:<br>USB core does not run Special Cycles on PCI. This bit is always 0. | USB core can run PCI master cycles:<br>0 = Disable<br>1 = Enable | USB core responds as a target to memory cycles.<br>0 = Disable<br>1 = Enable  | USB core responds as a target to I/O cycles:<br>0 = Disable<br>1 = Enable                      |                      |
| <b>PCICFG 05h</b>   |  |  |  |   |  |   | <b>Command Register - Byte 1</b>   | <b>Default = 00h</b> |
| Reserved: These bits are always 0.  |  |  |  |   |  | Back-to-back enable:<br>USB core only acts as a master to a single device, so this functionality is not needed. This bit is always 0. | SERR# (response) detection enable bit:<br>0 = SERR# not asserted<br>1 = USB core asserts SERR# |                      |
| <b>PCICFG 06h</b>   |  |  |  |   |  |   | <b>Status Register - Byte 0</b>  | <b>Default = 90h</b> |
| Fast back-to-back capability:<br>USB core supports fast back-to-back transactions when they are not to same agent. This bit is always 1.  | Reserved   |  | Capabilities bit (RO):<br>0=No PCI Power Management<br>1=PCI Power Management Available<br>See note. | Reserved  |  |   |  |                      |
| <p><b>Note:</b> Bit [4] enables extended PCI capabilities. This bit =1 by default, enabling PCI power management capabilities. PCI power management is enabled/disabled by a strap option, which can be overridden by writing PCICFG 4Dh[1]=0 to disable PCI PM, or writing PCICFG 4Dh[1]=1 to enable PCI PM.</p> |  |  |  |   |  |   |  |                      |

[查询"82C862"供应商](#)

| 7   | 6   | 5   | 4  | 3   | 2  | 1 | 0  |                      |
|---|---|---|--|---|--|---|--|----------------------|
| <b>PCICFG 07h Status Register - Byte 1</b>  |   |   |  |   |  |   |  | <b>Default = 02h</b> |
| <b>Detected parity error:</b><br><br>This bit is set to 1 whenever the USB core detects a parity error, even if PCICFG 04h[6] is disabled.<br><br>Write 1 to clear.   | <b>SERR# status:</b><br><br>This bit is set to 1 whenever the USB core detects a PCI address parity error.<br><br>Write 1 to clear. | <b>Received master abort status:</b><br><br>Set to 1 when the USB core, acting as a PCI master, aborts a PCI bus memory cycle.<br><br>Write 1 to clear. | <b>Received target abort status:</b><br><br>This bit is set to 1 when a USB core generated PCI cycle (USB core is the PCI master) is aborted by a PCI target.<br><br>Write 1 to clear. | <b>Signaled target abort status:</b><br><br>This bit is set to 1 when the USB core signals target abort.<br><br>Write 1 to clear. | <b>DEVSEL timing (RO):</b><br><br>Indicates DEVSEL# timing when performing a positive decode. Since DEVSEL# is asserted to meet the medium timing, these bits are encoded as 01. |   | <b>Data parity reported:</b><br><br>Set to 1 if PCICFG 04h[6] is set and the USB core detects PERR# asserted while acting as PCI master (whether PERR# was driven by USB core or not.) |                      |
| <b>PCICFG 08h Revision Identification Register (RO)</b>   |   |   |  |   |  |   |  | <b>Default = 20h</b> |
| <b>PCICFG 09h Class Code Register (RO)</b>  |   |   |  |   |  |   |  | <b>Default = 10h</b> |
| <b>PCICFG 0Ah</b>   |   |   |  |   |  |   |  | <b>Default = 03h</b> |
| <b>PCICFG 0Bh</b>   |   |   |  |   |  |   |  | <b>Default = 0Ch</b> |
| <b>PCICFG 0Ch Cache Line Size Register</b>  |   |   |  |   |  |   |  | <b>Default = 00h</b> |
| <b>PCICFG 0Dh Master Latency Timer Register</b>   |   |   |  |   |  |   |  | <b>Default = 00h</b> |
| <b>PCICFG 0Eh Header Type Register (RO)</b>   |   |   |  |   |  |   |  | <b>Default = 00h</b> |
| <b>PCICFG 0Fh Reserved</b>  |   |   |  |   |  |   |  | <b>Default = 00h</b> |
| <b>PCICFG 10h-13h Base Address Register 0</b>   |   |   |  |   |  |   |  | <b>Default = 00h</b> |
| This register identifies the base address of a contiguous memory space in main memory. POST will write all 1s to this register, then read back the value to determine how big of a memory space is requested. After allocating the requested memory, POST will write the upper bytes with the base address.<br><br>Bits [31:0] correspond to: 10h = [7:0], 11h = [15:8], 12h = [23:16], 13h = [31:24].<br>- Bit [0] - Indicates that the operational registers are mapped into memory space. Always = 0.<br>- Bits [2:1] - Indicates that the base register is 32 bits wide and can be placed anywhere in 32-bit memory space. Always = 0.<br>- Bit [3] - Indicates no support for prefetchable memory. Always = 0.<br>- Bits [11:4] - Indicates a 4K byte address range is requested, Always = 0.<br>- Bits [31:12] - Base Address: Post writes the value of the memory base address to this register. |   |   |  |   |  |   |  |                      |
| <b>PCICFG 14h-2Bh Reserved</b>  |   |   |  |   |  |   |  | <b>Default = 00h</b> |
| <b>PCICFG 2Ch Subsystem Vendor ID Register (RO) - Byte 0</b>  |   |   |  |   |  |   |  | <b>Default = 45h</b> |
| The Subsystem Vendor ID register is read-only but its value can be changed through PCICFG 7Dh:7Ch.  |   |   |  |   |  |   |  |                      |
| <b>PCICFG 2Dh Subsystem Vendor ID Register (RO) - Byte 1</b>  |   |   |  |   |  |   |  | <b>Default = 10h</b> |
| <b>PCICFG 2Eh Subsystem ID Register (RO) Byte 0</b>   |   |   |  |   |  |   |  | <b>Default = 61h</b> |
| The Subsystem ID register is read-only but its value can be changed through PCICFG 7Fh:7Eh.   |   |   |  |   |  |   |  |                      |
| <b>PCICFG 2Fh Subsystem ID Register (RO) Byte 1</b>   |   |   |  |   |  |   |  | <b>Default = C8h</b> |
| <b>PCICFG 30h-33h Reserved</b>  |   |   |  |   |  |   |  | <b>Default = 00h</b> |

# FireLink USB

## 82C862

[查询"82C862"供应商](#)

| 7   | 6 | 5 | 4 | 3 | 2 | 1  | 0                                       |
|---|---|---|---|---|---|--|---|
| <b>PCICFG 34h Capabilities Pointer Register (RO) Default = F0h</b><br>This register provides the offset into the PCI Configuration Space of the USB controller for the location of the PCI Power Management register block. This location is PCICFG F0h   |   |   |   |   |   |  |   |
| <b>PCICFG 35h-3Bh Reserved Default = 00h</b>  |   |   |   |   |   |  |   |
| <b>PCICFG 3Ch Interrupt Line Register Default = 00h</b><br>This register identifies the system interrupt controller line to which the interrupt pin of this USB controller module is connected. The value of this register is used by device drivers and has no direct meaning to the USB core.   |   |   |   |   |   |  |   |
| <b>PCICFG 3Dh Interrupt Pin Register Primary Default = 01h Secondary Default = 02h</b><br>This register identifies the interrupt pin a device uses. The primary USB controller module uses INTA#, so this value reads 01h by default; the secondary USB controller module uses INTB#, so this value reads 02h by default. The interrupt pin used by each USB controller module can be changed via the respective PCICFG 4Ch[1:0]. |   |   |   |   |   |  |   |
| <b>PCICFG 3Eh Minimum Grant Register (RO) Default = 00h</b><br>Reserved   |   |   |   |   |   |  |   |
| <b>PCICFG 3Fh Maximum Latency Register (RO) Default = 00h</b><br>Reserved   |   |   |   |   |   |  |   |
| <b>PCICFG 40h-44h Reserved Default = 00h</b><br>These registers are for internal testing purposes. Do not write to these registers.   |   |   |   |   |   |  |   |
| <b>PCICFG 45h Reserved Default = 00h</b><br>This register is for internal testing purposes. Do not write to this register.  |   |   |   |   |   |  |   |
| Reserved  |   |   |   |   |   | Reserved   | SIE Pipelining<br>0=Enable<br>1=Disable |
| <b>PCICFG 46h-4Bh Reserved Default = 00h</b>  |   |   |   |   |   |  |   |
| <b>PCICFG 4Ch Interrupt Pin Selection Register Function 0 Default = 00h Function 1 Default = 01h</b>  |   |   |   |   |   |  |   |
| Reserved  |   |   |   |   |   | USB controller interrupt pin:<br>00 = PCIRQ0# (INTA#)<br>01 = PCIRQ1# (INTB#)<br>10 = PCIRQ2# (INTC#)<br>11 = PCIRQ3# (INTD#)<br><br>The interrupt pin selected will be reflected in PCICFG 3Dh. |   |
| <b>PCICFG 4Dh Miscellaneous Control Register Default = 00h</b>  |   |   |   |   |   |  |   |
| Reserved  |   |   |   |   |   | State of Capabilities bit:<br>0 = Force PCICFG 06h[4] = 0<br>1 = Force PCICFG 06h[4] = 1   | Reserved                                |
| <b>PCICFG 4E-4Fh Reserved Default = 00h</b>   |   |   |   |   |   |  |   |

[查询"82C862"供应商](#)

| 7   | 6   | 5   | 4   | 3  | 2  | 1   | 0   |
|---|---|---|---|--|--|---|---|
| <b>PCICFG 50h</b> <span style="float: right;"><b>PCI Host Feature Control Register</b></span> <span style="float: right;"><b>Default = 00h</b></span>             |   |   |   |  |  |   |   |
| Reserved  |   |   | Reserved, formerly CLKRUN# mode control       | Reserved, formerly Subsystem Vendor ID write enable control                  | Reserved, formerly CLKRUN# enable control  | Port 2 output:<br>0 = Enable<br>1 = Disable<br><br>(Controls USB I/O cells to save power) | Port 1 output:<br>0 = Enable<br>1 = Disable<br><br>(Controls USB I/O cells to save power) |
| <b>PCICFG 51h</b> <span style="float: right;"><b>Reserved</b></span> <span style="float: right;"><b>Default = 00h</b></span>                                      |   |   |   |  |  |   |   |
| <b>PCICFG 52h</b> <span style="float: right;"><b>Strap Option Override</b></span> <span style="float: right;"><b>Default = 03h</b></span>                         |   |   |   |  |  |   |   |
| Reserved  | Read/write factory test mode<br>0=Disable<br>1=Enable | TEST0 Strap Value (RO)<br>0 = Low<br>1 = High | TEST1 Strap Value (RO)<br>0 = Low<br>1 = High | PWRON3# Strap Value – Secondary Controller Mode<br>0 = Disable<br>1 = Enable | SMI# Strap Selection<br>0 = PME# used as 48MHz output<br>1 = PME# pin functional | PWRFLT Polarity:<br>0 = High<br>1 = Low   | PWRON polarity:<br>0 = High<br>1 = Low  |
| <b>PCICFG 53h</b> <span style="float: right;"><b>GPIO Select Register</b></span> <span style="float: right;"><b>Default = 00h</b></span>                          |   |   |   |  |  |   |   |
| PIO4 Direction<br>0=Input<br>1=Output   | PIO3 Direction<br>0=Input<br>1=Output                 | PIO2 Direction<br>0=Input<br>1=Output         | PIO1 Direction<br>0=Input<br>1=Output         | PIO0 Direction<br>0=Input<br>1=Output  | SMI# / PIO4 Select<br>0=SMI# (default)<br>1=PIO4                                 | PME# / PIO3 Select<br>0=PME# (default)<br>1=PIO3  | CLKRUN# / PIO2 Select<br>0=CLKRUN# (default)<br>1=PIO2                                    |
| <b>PCICFG 54h</b> <span style="float: right;"><b>GPIO Output Enable Register</b></span> <span style="float: right;"><b>Default = 00h</b></span>                   |   |   |   |  |  |   |   |
| Reserved  |   |   | PIO4 Buffer<br>0=Disable<br>1=Enable          | PIO3 Buffer<br>0=Disable<br>1=Enable   | PIO2 Buffer<br>0=Disable<br>1=Enable   | PIO1 Buffer<br>0=Disable<br>1=Enable  | PIO0 Buffer<br>0=Disable<br>1=Enable  |
| These bits control buffer driving for those GPIO pins selected to be outputs.   |   |   |   |  |  |   |   |
| <b>PCICFG 55h</b> <span style="float: right;"><b>GPIO Data Register</b></span> <span style="float: right;"><b>Default = 00h</b></span>                            |   |   |   |  |  |   |   |
| Reserved  |   |   | PIO4 Data<br>0=Low<br>1=High                  | PIO3 Data<br>0=Low<br>1=High   | PIO2 Data<br>0=Low<br>1=High   | PIO1 Data<br>0=Low<br>1=High  | PIO0 Data<br>0=Low<br>1=High  |
| For input pins these bits return the value presently being driven onto the pins; for output pins these bits select the level that will be driven.                 |   |   |   |  |  |   |   |
| <b>PCICFG 56h-7Bh</b> <span style="float: right;"><b>Reserved</b></span> <span style="float: right;"><b>Default = 00h</b></span>                                  |   |   |   |  |  |   |   |
| <b>PCICFG 7Ch</b> <span style="float: right;"><b>Subsystem Vendor ID Restore Register - Byte 0</b></span> <span style="float: right;"><b>Default = 45h</b></span> |   |   |   |  |  |   |   |
| The register is used to program the value of the Subsystem Vendor ID register at PCICFG 2Dh:2Ch.  |   |   |   |  |  |   |   |
| <b>PCICFG 7Dh</b> <span style="float: right;"><b>Subsystem Vendor ID Restore Register - Byte 1</b></span> <span style="float: right;"><b>Default = 10h</b></span> |   |   |   |  |  |   |   |
| <b>PCICFG 7Eh</b> <span style="float: right;"><b>Subsystem ID Restore Register - Byte 0</b></span> <span style="float: right;"><b>Default = 61h</b></span>        |   |   |   |  |  |   |   |
| The register is used to program the value of the Subsystem ID register at PCICFG 2Fh:2Eh.   |   |   |   |  |  |   |   |
| <b>PCICFG 7Fh</b> <span style="float: right;"><b>Subsystem ID Restore Register - Byte 1</b></span> <span style="float: right;"><b>Default = C8h</b></span>        |   |   |   |  |  |   |   |
| <b>PCICFG 80h - EFh</b> <span style="float: right;"><b>Reserved</b></span> <span style="float: right;"><b>Default = 00h</b></span>                                |   |   |   |  |  |   |   |

# FireLink USB

## 82C862

[查询"82C862"供应商](#)

| 7   | 6  | 5  | 4  | 3  | 2   | 1  | 0        |
|---|--|--|--|--|---|--|----------|
| <b>PCICFG F0h CAP_ID Register (RO) Default = 01h</b><br>This register returns a value of 01h to identify the Capabilities list item as being the PCI Power Management Register Block. |  |  |  |  |   |  |          |
| <b>PCICFG F1h Next_Item_Ptr Register (RO) Default = 00h</b><br>This register returns a value of 00h to indicate that there are no additional items in the Capabilities list.          |  |  |  |  |   |  |          |
| <b>PCICFG F2h PMC Register (RO) - Byte 0 Default = 01h</b>  |  |  |  |  |   |  |          |
| Reserved  | Device Specific Initialization (DSI):<br>0 = DSI is not required | Reserved   | PME Clock:<br>0 = PME# clock not required to generate PME# | Version:<br>001 = This function complies with Revision 1.0 of the PCI PowerManagement Interface Specification. |   |  |          |
| <b>PCICFG F3h PMC Register (RO) - Byte 1 Default = 40h</b>  |  |  |  |  |   |  |          |
| PME Support:<br>01000 = The PCI USB controller supports PME# generation from D3 <sub>hot</sub> .  |  |  |  |  | D2 device state support:<br>0 = No  | D1 device state support:<br>0 = No   | Reserved |
| <b>PCICFG F4h PMCSR Register - Byte 0 Default = 00h</b>   |  |  |  |  |   |  |          |
| Reserved  |  |  |  |  |   | PowerState (R/W):<br>00 = D0<br>01 = D1 (Not Supported)<br>10 = D2 (Not Supported)<br>11 = D3hot<br><br>This field is used both to determine the current power state and to set a new power state. Unsupported states will be ignored when written to. |          |
| <b>PCICFG F5h PMCSR Register - Byte 1 Default = 00h</b>   |  |  |  |  |   |  |          |
| PME Status (R/W):<br>This bit is set when a PME event is generated.<br>Write 1 to clear.  | Data_Scale (RO):<br>00 = Data register is not supported          | Data_Select (RO):<br>0000 = Data register is not supported |  |  | PME_En (R/W):<br>0 = PME# assertion is disabled<br>1 = PME# is asserted when PME_Status = 1 |  |          |
| <b>PCICFG F6h - FFh Reserved Default = 00h</b>  |  |  |  |  |   |  |          |



[查询"82C862"供应商](#)

## 5.2 Host Controller Register Space

This register space is the operational control block in the USB core. It is responsible for the host controller operational states (Suspend, Disabled, Enabled), special USB signaling (Reset, Resume), status, interrupt control, and host controller configuration information.

The host controller (HC) interface registers are PCI memory mapped I/O, hereafter referred to as MEMOFST. The bit formats for these registers are described in Table 5-2.

### 5.2.1 MEMOFST 00h-5Ch

| 7  | 6   | 5  | 4   | 3  | 2  | 1 | 0 |  |   |  |   |  |  |
|--|---|--|---|--|--|---|---|--|---|--|---|--|--|
| <p><b>MEMOFST 00h</b> <span style="float: right;"><b>HcRevision Register (RO)</b></span> <span style="float: right;"><b>Default = 10h</b></span></p> <p><b>MEMOFST 01h-03h</b> <span style="float: right;"><b>Default = 000001h</b></span></p> <p>Bits [31:0] correspond to: 00h = [7:0], 01h = [15:8], 02h = [23:16], 03h = [31:24]</p> <ul style="list-style-type: none"> <li>- Bits [7:0] Revision - Indicates the Open HCI Specification revision number implemented by hardware (X.Y = XYh).<br/>FireLink support Specification 1.0.</li> <li>- Bits [31:8] Reserved</li> </ul>   |   |  |   |  |  |   |   |  |   |  |   |  |  |
| <p><b>MEMOFST 04h</b> <span style="float: right;"><b>HcControl Register - Byte 0</b></span> <span style="float: right;"><b>Default = 00h</b></span></p> <table border="1" style="width: 100%; border-collapse: collapse;"> <tr> <td style="width: 25%; vertical-align: top;"> <p>HC Functional State:</p> <p>00 = USB Reset<br/>01 = USB Resume<br/>10 = USB Operational<br/>11 = USB Suspend</p> <p>The HC may force a state change from USB Suspend to USB Resume after detecting resume signaling from a downstream port.</p> </td> <td style="width: 12.5%; vertical-align: top;"> <p>Processing of Bulk List:</p> <p>0 = Disable<br/>1 = Enable</p> </td> <td style="width: 12.5%; vertical-align: top;"> <p>Processing of Control List:</p> <p>0 = Disable<br/>1 = Enable</p> </td> <td style="width: 12.5%; vertical-align: top;"> <p>Disable Isochronous List when Periodic List is enabled:(1)</p> <p>0 = Yes<br/>1 = No</p> </td> <td style="width: 12.5%; vertical-align: top;"> <p>Processing of Periodic (interrupt and isochronous) List:</p> <p>0 = Disable<br/>1 = Enable</p> <p>The HC checks this bit prior to attempting any periodic transfers in a frame.</p> </td> <td style="width: 25%; vertical-align: top;"> <p>Control Bulk Service Ratio:</p> <p>Specifies the number of control endpoints serviced for every bulk endpoint. Encoding is N/D1 where N is the number of control endpoints (i.e., 00 = 1 control endpoint; 11 = 4 control endpoints).</p> </td> </tr> </table> <p>(1) Disabling the Isochronous List when the Periodic List is enabled allows interrupt endpoint descriptors to be serviced. While processing the Period List, the HC will check bit 3 when it finds an isochronous endpoint descriptor.</p> |   |  |   |  |  |   |   | <p>HC Functional State:</p> <p>00 = USB Reset<br/>01 = USB Resume<br/>10 = USB Operational<br/>11 = USB Suspend</p> <p>The HC may force a state change from USB Suspend to USB Resume after detecting resume signaling from a downstream port.</p> | <p>Processing of Bulk List:</p> <p>0 = Disable<br/>1 = Enable</p>   | <p>Processing of Control List:</p> <p>0 = Disable<br/>1 = Enable</p>   | <p>Disable Isochronous List when Periodic List is enabled:(1)</p> <p>0 = Yes<br/>1 = No</p>                                   | <p>Processing of Periodic (interrupt and isochronous) List:</p> <p>0 = Disable<br/>1 = Enable</p> <p>The HC checks this bit prior to attempting any periodic transfers in a frame.</p> | <p>Control Bulk Service Ratio:</p> <p>Specifies the number of control endpoints serviced for every bulk endpoint. Encoding is N/D1 where N is the number of control endpoints (i.e., 00 = 1 control endpoint; 11 = 4 control endpoints).</p> |
| <p>HC Functional State:</p> <p>00 = USB Reset<br/>01 = USB Resume<br/>10 = USB Operational<br/>11 = USB Suspend</p> <p>The HC may force a state change from USB Suspend to USB Resume after detecting resume signaling from a downstream port.</p>   | <p>Processing of Bulk List:</p> <p>0 = Disable<br/>1 = Enable</p>   | <p>Processing of Control List:</p> <p>0 = Disable<br/>1 = Enable</p>   | <p>Disable Isochronous List when Periodic List is enabled:(1)</p> <p>0 = Yes<br/>1 = No</p>                                   | <p>Processing of Periodic (interrupt and isochronous) List:</p> <p>0 = Disable<br/>1 = Enable</p> <p>The HC checks this bit prior to attempting any periodic transfers in a frame.</p> | <p>Control Bulk Service Ratio:</p> <p>Specifies the number of control endpoints serviced for every bulk endpoint. Encoding is N/D1 where N is the number of control endpoints (i.e., 00 = 1 control endpoint; 11 = 4 control endpoints).</p> |   |   |  |   |  |   |  |  |
| <p><b>MEMOFST 05h</b> <span style="float: right;"><b>HcControl Register - Byte 1</b></span> <span style="float: right;"><b>Default = 00h</b></span></p> <table border="1" style="width: 100%; border-collapse: collapse;"> <tr> <td style="width: 50%; vertical-align: top;"> <p>Reserved</p> </td> <td style="width: 12.5%; vertical-align: top;"> <p>Remote Wakeup Connected Enable:</p> <p>If a remote wakeup signal is supported, this bit is used to enable that operation. Since there is no remote wakeup signal supported, this bit is ignored.</p> </td> <td style="width: 12.5%; vertical-align: top;"> <p>Remote Wakeup Connected (RO):</p> <p>Indicates whether the HC supports a remote wakeup signal. This implementation does not support any such signal. The bit is hardcoded to 0.</p> </td> <td style="width: 12.5%; vertical-align: top;"> <p>Interrupt Routing:</p> <p>0 = Interrupts routed to normal interrupt mechanism (INTA#)<br/>1 = Interrupts routed to SMI</p> </td> </tr> </table>  |   |  |   |  |  |   |   | <p>Reserved</p>  | <p>Remote Wakeup Connected Enable:</p> <p>If a remote wakeup signal is supported, this bit is used to enable that operation. Since there is no remote wakeup signal supported, this bit is ignored.</p> | <p>Remote Wakeup Connected (RO):</p> <p>Indicates whether the HC supports a remote wakeup signal. This implementation does not support any such signal. The bit is hardcoded to 0.</p> | <p>Interrupt Routing:</p> <p>0 = Interrupts routed to normal interrupt mechanism (INTA#)<br/>1 = Interrupts routed to SMI</p> |  |  |
| <p>Reserved</p>  | <p>Remote Wakeup Connected Enable:</p> <p>If a remote wakeup signal is supported, this bit is used to enable that operation. Since there is no remote wakeup signal supported, this bit is ignored.</p> | <p>Remote Wakeup Connected (RO):</p> <p>Indicates whether the HC supports a remote wakeup signal. This implementation does not support any such signal. The bit is hardcoded to 0.</p> | <p>Interrupt Routing:</p> <p>0 = Interrupts routed to normal interrupt mechanism (INTA#)<br/>1 = Interrupts routed to SMI</p> |  |  |   |   |  |   |  |   |  |  |
| <p><b>MEMOFST 06h-07h</b> <span style="float: right;"><b>HcControl Register - Bytes 2 &amp; 3</b></span> <span style="float: right;"><b>Default = 00h</b></span></p> <p style="text-align: center;">Reserved</p>   |   |  |   |  |  |   |   |  |   |  |   |  |  |

# FireLink USB

## 82C862

[查询"82C862"供应商](#)

| 7  | 6  | 5  | 4  | 3   | 2  | 1  | 0   |
|--|--|--|--|---|--|--|---|
| <b>MEMOFST 08h</b>   |  |  |  |   |  |  |   |
| <b>HcCommandStatus Register - Byte 0</b>   |  |  |  | <b>Default = 00h</b>  |  |  |   |
| Reserved   |  |  |  | Ownership Change Request:<br>When set by software, this bit sets the Ownership Change bit (MEMOFST 0Fh[6]).<br>Cleared by software. | Bulk List has an active endpoint descriptor?(1)<br><br>0 = No<br>1 = Yes                             | Control List has an active endpoint descriptor?(1)<br><br>0 = No<br>1 = Yes  | HC Reset:<br>Writing a 1 initiates a software reset.<br>This bit is cleared by the HC upon completion of reset operation. |
| (1) The bit may be set by either software or the HC. It is cleared by the HC each time it begins processing the head of the list (Bulk List for bit 2, Control List for bit 1) |  |  |  |   |  |  |   |
| <b>MEMOFST 09h</b>   |  |  |  |   |  |  |   |
| <b>HcCommandStatus Register - Byte 1</b>   |  |  |  | <b>Default = 00h</b>  |  |  |   |
| Reserved   |  |  |  |   |  |  |   |
| <b>MEMOFST 0Ah</b>   |  |  |  |   |  |  |   |
| <b>HcCommandStatus Register - Byte 2</b>   |  |  |  |   |  | <b>Default = 00h</b>   |   |
| Reserved   |  |  |  |   |  | Schedule Overrun Count:<br>This field increments every time the Scheduling Overrun bit (MEMOFST 0Ch[0]) is set. The count wraps from 11 to 00. |   |
| <b>MEMOFST 0Bh</b>   |  |  |  |   |  |  |   |
| <b>HcCommandStatus Register - Byte 3</b>   |  |  |  | <b>Default = 00h</b>  |  |  |   |
| Reserved   |  |  |  |   |  |  |   |
| <b>MEMOFST 0Ch</b>   |  |  |  |   |  |  |   |
| <b>HcInterrupt Status Register - Byte 0*</b>   |  |  |  |   |  |  |   |
| <b>Default = 00h</b>   |  |  |  |   |  |  |   |
| Reserved   | Root Hub Status Change:<br>This bit is set when the content of HcRh Status (50h-53h) or the content of any HcRhPort Status Register (54h-5Bh) has changed. | Frame Number Overflow:<br>This bit is set when MEMOFST 3Ch[15] (Frame Number Register) changes from 0-to-1 or from 1-to-0. | Unrecoverable Error:<br>This event is not implemented and is hardcoded to 0. All writes are ignored. | Resume Detected:<br>This bit is set when the HC detects resume signaling on a downstream port.                                      | Start of Frame:<br>This bit is set when the Frame Management block signals a "Start of Frame" event. | Writeback Done Head:<br>This bit is set after the Host Controller has written HcDoneHead to HccaDoneHead.                                      | Scheduling Overrun occurred?<br><br>0 = No<br>1 = Yes   |
| <b>MEMOFST 0Dh-0Eh</b>   |  |  |  |   |  |  |   |
| <b>HcInterruptStatus Register - Bytes 1 &amp; 2</b>  |  |  |  | <b>Default = 00h</b>  |  |  |   |
| Reserved   |  |  |  |   |  |  |   |
| <b>MEMOFST 0Fh</b>   |  |  |  |   |  |  |   |
| <b>HcInterruptStatus Register - Byte 3*</b>  |  |  |  | <b>Default = 00h</b>  |  |  |   |
| Reserved   | Ownership Change:<br>This bit is set when the Ownership Change Request bit (MEMOFST 08h[3]) is set.  | Reserved   |  |   |  |  |   |
| * Writing a 1 to a bit in this register clears the corresponding bit, while writing a 0 leaves the bit unchanged.  |  |  |  |   |  |  |   |

[查询"82C862"供应商](#)

| 7   | 6  | 5   | 4   | 3   | 2  | 1   | 0  |
|---|--|---|---|---|--|---|--|
| <b>MEMOFST 10h</b> <span style="float: right;"><b>HcInterruptEnable Register - Byte 0*</b></span> <span style="float: right;"><b>Default = 00h</b></span>                     |  |   |   |   |  |   |  |
| Reserved  | Allow interrupt generation due to Root Hub Status Change:<br>0 = Ignore<br>1 = Enable  | Allow interrupt generation due to Frame Number Overflow:<br>0 = Ignore<br>1 = Enable  | Reserved<br>All writes to this bit are ignored. | Allow interrupt generation due to Resume Detected:<br>0 = Ignore<br>1 = Enable  | Allow interrupt generation due to Start of Frame:<br>0 = Ignore<br>1 = Enable  | Allow interrupt generation due to Writeback Done Head:<br>0 = Ignore<br>1 = Enable  | Allow interrupt generation due to Scheduling Overrun:<br>0 = Ignore<br>1 = Enable  |
| <b>MEMOFST 11h-12h</b> <span style="float: right;"><b>HcInterruptEnable Register - Bytes 1 &amp; 2</b></span> <span style="float: right;"><b>Default = 00h</b></span>         |  |   |   |   |  |   |  |
| Reserved  |  |   |   |   |  |   |  |
| <b>MEMOFST 13h</b> <span style="float: right;"><b>HcInterruptEnable Register - Byte 3*</b></span> <span style="float: right;"><b>Default = 00h</b></span>                     |  |   |   |   |  |   |  |
| Master interrupt generation:<br>0 = Ignore<br>1 = Allows all interrupts to be enabled in 10h-13h.   | Allow interrupt generation due to Ownership Change:<br>0 = Ignore<br>1 = Enable        | Reserved  |   |   |  |   |  |
| * Writing a 1 to a bit in this register sets the corresponding bit, while writing a 0 leaves the bit unchanged.   |  |   |   |   |  |   |  |
| <b>MEMOFST 14h</b> <span style="float: right;"><b>HcInterruptDisable Register - Byte 0*</b></span> <span style="float: right;"><b>Default = 00h</b></span>                    |  |   |   |   |  |   |  |
| Reserved  | Allow interrupt generation due to Root Hub Status Change:<br>0 = Ignore<br>1 = Disable | Allow interrupt generation due to Frame Number Overflow:<br>0 = Ignore<br>1 = Disable | Reserved<br>All writes to this bit are ignored. | Allow interrupt generation due to Resume Detected:<br>0 = Ignore<br>1 = Disable | Allow interrupt generation due to Start of Frame:<br>0 = Ignore<br>1 = Disable | Allow interrupt generation due to Writeback Done Head:<br>0 = Ignore<br>1 = Disable | Allow interrupt generation due to Scheduling Overrun:<br>0 = Ignore<br>1 = Disable |
| <b>MEMOFST 15h-16h</b> <span style="float: right;"><b>HcInterruptDisable Register - Bytes 1 &amp; 2</b></span> <span style="float: right;"><b>Default = 00h</b></span>        |  |   |   |   |  |   |  |
| Reserved  |  |   |   |   |  |   |  |
| <b>MEMOFST 17h</b> <span style="float: right;"><b>HcInterruptDisable Register - Byte 3*</b></span> <span style="float: right;"><b>Default = 00h</b></span>                    |  |   |   |   |  |   |  |
| Master interrupt generation:<br>0 = Ignore<br>1 = Allows all interrupts to be disabled in 10h-13h.  | Allow interrupt generation due to Ownership Change:<br>0 = Ignore<br>1 = Disable       | Reserved  |   |   |  |   |  |
| * Writing a 1 to a bit in this register clears the corresponding bit, while writing a 0 leaves the bit unchanged.   |  |   |   |   |  |   |  |
| <b>MEMOFST 18h-1Bh</b> <span style="float: right;"><b>HcHCCA Register</b></span> <span style="float: right;"><b>Default = 00h</b></span>                                      |  |   |   |   |  |   |  |
| Bits [31:0] correspond to: 18h = [7:0], 19h = [15:8], 1Ah = [23:16], 1Bh = [31:24].<br>- Bits [7:0] Reserved<br>- Bits [31:8] Pointer to HCCA base address                    |  |   |   |   |  |   |  |
| <b>MEMOFST 1Ch-1Fh</b> <span style="float: right;"><b>HcPeriodCurrentED Register</b></span> <span style="float: right;"><b>Default = 00h</b></span>                           |  |   |   |   |  |   |  |
| Bits [31:0] correspond to: 1Ch = [7:0], 1Dh = [15:8], 1Eh = [23:16], 1Fh = [31:24].<br>- Bits [3:0] Reserved<br>- Bits [31:4] Pointer to current Periodic List End Descriptor |  |   |   |   |  |   |  |

# FireLink USB

## 82C862

| <a href="#">查询"82C862"供应商</a>  | 5                                | 4 | 3 | 2 | 1 | 0                      |
|--|----------------------------------|---|---|---|---|------------------------|
| <b>MEMOFST 20h-23h</b>   | <b>HcControlHeadED Register</b>  |   |   |   |   | <b>Default = 00h</b>   |
| Bits [31:0] correspond to: 20h = [7:0], 21h = [15:8], 22h = [23:16], 23h = [31:24].  |                                  |   |   |   |   |                        |
| <ul style="list-style-type: none"> <li>- Bits [3:0] Reserved</li> <li>- Bits [31:4] Pointer to current Control List Head End Descriptor</li> </ul>   |                                  |   |   |   |   |                        |
| <b>MEMOFST 24h-27h</b>   | <b>HcControlCurrent ED</b>       |   |   |   |   | <b>Default = 00h</b>   |
| Bits [31:0] correspond to: 24h = [7:0], 25h = [15:8], 26h = [23:16], 27h = [31:24].  |                                  |   |   |   |   |                        |
| <ul style="list-style-type: none"> <li>- Bits [3:0] Reserved</li> <li>- Bits [31:4] Pointer to current End Descriptor in Control List</li> </ul>   |                                  |   |   |   |   |                        |
| <b>MEMOFST 28h-2Bh</b>   | <b>HcBulkHeadED Register</b>     |   |   |   |   | <b>Default = 00h</b>   |
| Bits [31:0] correspond to: 28h = [7:0], 29h = [15:8], 2Ah = [23:16], 2Bh = [31:24].  |                                  |   |   |   |   |                        |
| <ul style="list-style-type: none"> <li>- Bits [3:0] Reserved</li> <li>- Bits [31:4] Pointer to current Bulk List Head End Descriptor in Control List</li> </ul>  |                                  |   |   |   |   |                        |
| <b>MEMOFST 2Ch-2Fh</b>   | <b>HcBulkCurrentED Register</b>  |   |   |   |   | <b>Default = 00h</b>   |
| Bits [31:0] correspond to: 2Ch = [7:0], 2Dh = [15:8], 2Eh = [23:16], 2Fh = [31:24].  |                                  |   |   |   |   |                        |
| <ul style="list-style-type: none"> <li>- Bits [3:0] Reserved</li> <li>- Bits [31:4] Pointer to current Bulk List End Descriptor</li> </ul>   |                                  |   |   |   |   |                        |
| <b>MEMOFST 30h-33h</b>   | <b>HcDoneHead Register</b>       |   |   |   |   | <b>Default = 00h</b>   |
| Bits [31:0] correspond to: 30h = [7:0], 31h = [15:8], 32h = [23:16], 33h = [31:24].  |                                  |   |   |   |   |                        |
| <ul style="list-style-type: none"> <li>- Bits [3:0] Reserved</li> <li>- Bits [31:4] Pointer to current Done List Head End Descriptor</li> </ul>  |                                  |   |   |   |   |                        |
| <b>MEMOFST 34h-37h</b>   | <b>HcFmInterval Register</b>     |   |   |   |   | <b>Default = 2EDFh</b> |
| Bits [31:0] correspond to: 34h = [7:0], 35h = [15:8], 36h = [23:16], 37h = [31:24].  |                                  |   |   |   |   |                        |
| <ul style="list-style-type: none"> <li>- Bits [13:0] Frame Interval - These bits specify the length of a frame as (bit times <math>\text{\textcircled{D}} 1</math>). For 12,000 bit times in a frame, a value of 11,999 is stored here. (Default = 2EDFh)</li> <li>- Bits [15:14] Reserved</li> <li>- Bits [30:16] FS Largest Data Packet: These bits specify a value which is loaded into the Largest Data Packet Counter at the beginning of each frame.</li> <li>- Bit 31 Frame Interval Toggle - This bit is toggled by HCD whenever it loads a new value into the Frame Interval bits (bits [13:0]).</li> </ul>   |                                  |   |   |   |   |                        |
| <b>MEMOFST 38h-3Bh</b>   | <b>HcFrameRemaining Register</b> |   |   |   |   | <b>Default = 00h</b>   |
| Bits [31:0] correspond to: 38h = [7:0], 39h = [15:8], 3Ah = [23:16], 3Bh = [31:24].  |                                  |   |   |   |   |                        |
| <ul style="list-style-type: none"> <li>- Bits [13:0] Frame Remaining (RO) - This 14-bit decrementing counter is used to time a frame. When the HC is in the USB Operational state, the counter decrements each 12MHz clock period. When the count reaches 0, the end of a frame has been reached. The counter reloads with Frame Interval (MEMOFST 34h[13:0]) at that time. In addition, the counter loads when the HC transitions into the USB Operational state.</li> <li>- Bits [30:14] Reserved</li> <li>- Bit 31 Frame Remaining Toggle (RO) - This bit is loaded with Frame Interval Toggle (MEMOFST 34h[31]) when Frame Remaining (bits [13:0]) is loaded.</li> </ul> |                                  |   |   |   |   |                        |
| <b>MEMOFST 3Ch-3Fh</b>   | <b>HcFmNumber Register</b>       |   |   |   |   | <b>Default = 00h</b>   |
| Bits [31:0] correspond to: 3Ch = [7:0], 3Dh = [15:8], 3Eh = [23:16], 3Fh = [31:24].  |                                  |   |   |   |   |                        |
| <ul style="list-style-type: none"> <li>- Bits [15:0] Frame Number (RO) - This 16-bit incrementing counter is incremented coincident with the load of Frame Remaining (MEMOFST 38h[13:0]). The count will roll over from FFFh to 0h.</li> <li>- Bits [31:16] Reserved</li> </ul>  |                                  |   |   |   |   |                        |

[查询"82C862"供应商](#)

| 7  | 6  | 5   | 4                                      | 3   | 2   | 1 | 0 |          |                                |                               |                   |                        |                       |  |  |   |  |   |   |
|--|--|---|--|---|---|---|---|----------|--------------------------------|-------------------------------|-------------------|------------------------|-----------------------|--|--|---|--|---|---|
| <p><b>MEMOFST 40h-43h</b> <span style="float: right;"><b>HcPeriodicStart Register</b></span> <span style="float: right;"><b>Default = 00h</b></span></p> <p>Bits [31:0] correspond to: 40h = [7:0], 41h = [15:8], 42h = [23:16], 43h = [31:24].</p> <ul style="list-style-type: none"> <li>- Bits [13:0] Periodic Start - These bits are used by the List Processor to determine where in a frame the Periodic List processing must begin.</li> <li>- Bits [31:14] Reserved</li> </ul>   |  |   |  |   |   |   |   |          |                                |                               |                   |                        |                       |  |  |   |  |   |   |
| <p><b>MEMOFST 44h-47h</b> <span style="float: right;"><b>HcLSThreshold Register</b></span> <span style="float: right;"><b>Default = 00h</b></span></p> <p>Bits [31:0] correspond to: 44h = [7:0], 45h = [15:8], 46h = [23:16], 47h = [31:24].</p> <ul style="list-style-type: none"> <li>- Bits [11:0] LS Threshold - These bits contain a value used by the Frame Management Block to determine whether or not a low speed transaction can be started in the current frame.</li> <li>- Bits [31:12] Reserved</li> </ul>   |  |   |  |   |   |   |   |          |                                |                               |                   |                        |                       |  |  |   |  |   |   |
| <p><b>MEMOFST 48h</b> <span style="float: right;"><b>HcRhDescriptorA Register - Byte 0 (RO)</b></span> <span style="float: right;"><b>Default = 02h</b></span></p> <p>Number Downstream Ports - The USB core supports two downstream ports.</p>  |  |   |  |   |   |   |   |          |                                |                               |                   |                        |                       |  |  |   |  |   |   |
| <p><b>MEMOFST 49h</b> <span style="float: right;"><b>HcRhDescriptorA Register - Byte 1</b></span> <span style="float: right;"><b>Default = 00h</b></span></p> <table border="1" style="width: 100%; border-collapse: collapse;"> <tr> <td style="width: 25%; text-align: center; vertical-align: top;">Reserved</td> <td style="width: 12.5%; text-align: center; vertical-align: top;">No Over-current Protection:(1)</td> <td style="width: 12.5%; text-align: center; vertical-align: top;">Over-current Protection Mode:</td> <td style="width: 12.5%; text-align: center; vertical-align: top;">Device Type (RO):</td> <td style="width: 12.5%; text-align: center; vertical-align: top;">No Power Switching:(1)</td> <td style="width: 12.5%; text-align: center; vertical-align: top;">Power Switching Mode:</td> </tr> <tr> <td></td> <td style="vertical-align: top;">0 = Over-current status is reported<br/>1 = Over-current status is not reported</td> <td style="vertical-align: top;">0 = Global over-current<br/>1 = Individual Over-Current<br/>This bit is only valid when bit 4 is cleared.<br/>This bit should be written to 0.</td> <td style="vertical-align: top;">The USB core is not a compound device.</td> <td style="vertical-align: top;">0 = Ports are powered switched<br/>1 = Ports are always powered on</td> <td style="vertical-align: top;">0 = Global switching<br/>1 = Individual switching<br/>This bit is only valid when bit 1 is cleared.<br/>This bit should be written to 0.</td> </tr> </table> <p>(1) Bits 4 and 1 should be written to support the external system port over-current and switching implementations.</p> |  |   |  |   |   |   |   | Reserved | No Over-current Protection:(1) | Over-current Protection Mode: | Device Type (RO): | No Power Switching:(1) | Power Switching Mode: |  | 0 = Over-current status is reported<br>1 = Over-current status is not reported | 0 = Global over-current<br>1 = Individual Over-Current<br>This bit is only valid when bit 4 is cleared.<br>This bit should be written to 0. | The USB core is not a compound device. | 0 = Ports are powered switched<br>1 = Ports are always powered on | 0 = Global switching<br>1 = Individual switching<br>This bit is only valid when bit 1 is cleared.<br>This bit should be written to 0. |
| Reserved   | No Over-current Protection:(1)   | Over-current Protection Mode:   | Device Type (RO):                      | No Power Switching:(1)  | Power Switching Mode:   |   |   |          |                                |                               |                   |                        |                       |  |  |   |  |   |   |
|  | 0 = Over-current status is reported<br>1 = Over-current status is not reported | 0 = Global over-current<br>1 = Individual Over-Current<br>This bit is only valid when bit 4 is cleared.<br>This bit should be written to 0. | The USB core is not a compound device. | 0 = Ports are powered switched<br>1 = Ports are always powered on | 0 = Global switching<br>1 = Individual switching<br>This bit is only valid when bit 1 is cleared.<br>This bit should be written to 0. |   |   |          |                                |                               |                   |                        |                       |  |  |   |  |   |   |
| <p><b>MEMOFST 4Ah</b> <span style="float: right;"><b>HcRhDescriptorA Register - Byte 2</b></span> <span style="float: right;"><b>Default = 00h</b></span></p> <p style="text-align: center;">Reserved</p>  |  |   |  |   |   |   |   |          |                                |                               |                   |                        |                       |  |  |   |  |   |   |
| <p><b>MEMOFST 4Bh</b> <span style="float: right;"><b>HcRhDescriptorA Register - Byte 3</b></span> <span style="float: right;"><b>Default = 01h</b></span></p> <p>Power-On to Power-Good Time</p> <ul style="list-style-type: none"> <li>- The USB core power switching is effective within 2ms. The field value is represented as the number of 2ms intervals. This field should be written to support the system implementation. This field should always be written to a non-zero value.</li> </ul>  |  |   |  |   |   |   |   |          |                                |                               |                   |                        |                       |  |  |   |  |   |   |
| <p><b>MEMOFST 4Ch-4Dh</b> <span style="float: right;"><b>HcRhDescriptorB Register - Bytes 0 &amp; 1</b></span> <span style="float: right;"><b>Default = 00h</b></span></p> <p>Bits [15:0] correspond to: 4Ch = [7:0], 4Dh = [15:8].</p> <ul style="list-style-type: none"> <li>- Bit 0 Reserved</li> <li>- Bits [15:1] Device Removable - USB core ports default to removable devices:<br/>0 = Device not removable<br/>1 = Device removable</li> </ul> <p>Bit 15 corresponds to Port 15, Bit 14 corresponds to Port 14, the remaining bits follow suit. Unimplemented ports are reserved.</p>   |  |   |  |   |   |   |   |          |                                |                               |                   |                        |                       |  |  |   |  |   |   |

# FireLink USB

## 82C862

[查询"82C862"供应商](#)

| 7   | 6  | 5   | 4 | 3 | 2 | 1 | 0 |  |  |   |
|---|--|---|---|---|---|---|---|--|--|---|
| <p><b>MEMOFST 4Eh-4Fh</b> <span style="float: right;"><b>HcRhDescriptorB Register- Bytes 2 &amp; 3</b></span> <span style="float: right;"><b>Default = 00h</b></span></p> <p>Bits [15:0] correspond to: 4Eh = [7:0], 4Fh = [15:8].</p> <ul style="list-style-type: none"> <li>- Bit 0 Reserved</li> <li>- Bits [15:1] Port Power Control Mask: Bit 15 corresponds to Port 15, Bit 14 corresponds to Port 14, the remaining bits follow suit. Unimplemented ports are reserved.<br/>0 = Device not removable<br/>1 = Global power mask</li> </ul> <p>This field is only valid if No Power Switching bit (MEMOFST 49h[1]) is cleared and Power Switching Mode Bit (MEMOFST 49h[0]) is set (individual port switching). When set, the port only responds to individual port power switching commands (Set/ClearPortPower, MEMOFST 54h[1:0] and 58h[1:0]). When cleared, the port only responds to global power switching commands (Set/ClearGlobalPower, MEMOFST 52h[0] and 50h[0]).</p> |  |   |   |   |   |   |   |  |  |   |
| <p><b>MEMOFST 50h</b> <span style="float: right;"><b>HcRhStatus Register - Byte 0</b></span> <span style="float: right;"><b>Default = 00h</b></span></p> <table border="1" style="width: 100%; border-collapse: collapse;"> <tr> <td style="width: 60%; text-align: center; vertical-align: top;">Reserved</td> <td style="width: 20%; vertical-align: top;"> <p>Over-current Indicator (RO):(1)</p> <p>Reflects state of OVCR pin.</p> <p>0 = No over-current condition</p> <p>1 = Over-current condition</p> </td> <td style="width: 20%; vertical-align: top;"> <p><u>Read:</u> Local Power Status</p> <p>Not supported. Always read 0.</p> <p><u>Write:</u> Clear Global Power</p> <p>0 = No effect</p> <p>1 = Issue Clear Global Power command to ports</p> </td> </tr> </table>   |  |   |   |   |   |   |   | Reserved   | <p>Over-current Indicator (RO):(1)</p> <p>Reflects state of OVCR pin.</p> <p>0 = No over-current condition</p> <p>1 = Over-current condition</p> | <p><u>Read:</u> Local Power Status</p> <p>Not supported. Always read 0.</p> <p><u>Write:</u> Clear Global Power</p> <p>0 = No effect</p> <p>1 = Issue Clear Global Power command to ports</p> |
| Reserved  | <p>Over-current Indicator (RO):(1)</p> <p>Reflects state of OVCR pin.</p> <p>0 = No over-current condition</p> <p>1 = Over-current condition</p> | <p><u>Read:</u> Local Power Status</p> <p>Not supported. Always read 0.</p> <p><u>Write:</u> Clear Global Power</p> <p>0 = No effect</p> <p>1 = Issue Clear Global Power command to ports</p> |   |   |   |   |   |  |  |   |
| <p>(1) Bit 1 is only valid if the No Over-current Protection (MEMOFST 49h[4]) and Over-current Protection Mode (MEMOFST 49h[3]) bits are cleared.</p>   |  |   |   |   |   |   |   |  |  |   |
| <p><b>MEMOFST 51h</b> <span style="float: right;"><b>HcRhStatus Register - Byte 1</b></span> <span style="float: right;"><b>Default = 00h</b></span></p> <table border="1" style="width: 100%; border-collapse: collapse;"> <tr> <td style="width: 15%; vertical-align: top;"> <p><u>Read:</u> Device Remote Wake-up Enable(1)</p> <p>0 = Disabled</p> <p>1 = Enabled</p> <p><u>Write:</u> Set Remote Wake-up Enable</p> <p>0 = No effect</p> <p>1 = Sets Device Remote Wakeup Enable</p> </td> <td style="width: 85%; text-align: center; vertical-align: top;">Reserved</td> </tr> </table>   |  |   |   |   |   |   |   | <p><u>Read:</u> Device Remote Wake-up Enable(1)</p> <p>0 = Disabled</p> <p>1 = Enabled</p> <p><u>Write:</u> Set Remote Wake-up Enable</p> <p>0 = No effect</p> <p>1 = Sets Device Remote Wakeup Enable</p> | Reserved   |   |
| <p><u>Read:</u> Device Remote Wake-up Enable(1)</p> <p>0 = Disabled</p> <p>1 = Enabled</p> <p><u>Write:</u> Set Remote Wake-up Enable</p> <p>0 = No effect</p> <p>1 = Sets Device Remote Wakeup Enable</p>  | Reserved   |   |   |   |   |   |   |  |  |   |
| <p>(1) Allows port Connect Status Change Bit (MEMOFST 56h[0] for Port 1 and MEMOFST 59h[0] for Port 2) as a remote wakeup event.</p>  |  |   |   |   |   |   |   |  |  |   |

[查询"82C862"供应商](#)

| 7   | 6        | 5  | 4   | 3   | 2   | 1   | 0  |
|---|----------|--|---|---|---|---|--|
| <b>MEMOFST 52h HcRhStatus Register - Byte 2 Default = 00h</b>   |          |  |   |   |   |   |  |
| Reserved  |          |  |   |   |   | <b>Over-current Indicator Change</b><br><br>This bit is set when the Over-current Indicator bit (MEMOFST 50h[1]) changes.<br><br>Write 1 to clear   | <u>Read:</u> Local Power Status Change<br><br>Not supported. Always read 0<br><br><u>Write:</u> Set Global Power<br><br>0 = No effect<br>1 = Issue Set Global Power command to ports |
| <b>MEMOFST 53h HcRhStatus Register - Byte 3 Default = 00h</b>   |          |  |   |   |   |   |  |
| Clear Remote Wakeup Enable (WO)<br><br>0 = No effect<br>1 = Clear Device Remote Wakeup Enable bit (MEMOFST 51h[7])  | Reserved |  |   |   |   |   |  |
| <b>MEMOFST 54h HcRhPort1Status Register - Byte 0 Default = 00h</b>  |          |  |   |   |   |   |  |
| Reserved  |          | <u>Read:</u> Port Reset Status<br>0 = Port reset status signal not active<br>1 = Port reset signal active<br><br><u>Write:</u> Set Port Reset<br>0 = No effect<br>1 = Sets Port Reset Status | <u>Read:</u> Port Over-current Indicator(1)<br>0 = No over-current condition<br>1 = Over-current condition<br><br><u>Write:</u> Clear Port Suspend<br>0 = No effect<br>1 = Initiates selective resume sequence for the port | <u>Read:</u> Port Suspend Status<br>0 = Port is not suspended<br>1 = Port is selectively suspended<br><br><u>Write:</u> Set Port Suspend<br>0 = No effect<br>1 = Sets Port Suspend Status | <u>Read:</u> Port Enable Status<br>0 = Port disabled<br>1 = Port enabled<br><br><u>Write:</u> Set Port Enable<br>0 = No effect<br>1 = Sets Port Enable Status | <u>Read:</u> Current Connect Status<br>0 = No device connected<br>1 = Device connected.(2)<br><br><u>Write:</u> Clear Port Enable<br>0 = No effect<br>1 = Clears Port Enable Status bit (bit 1) |  |
| (1) The USB core supports global over-current reporting. This bit reflects the state of the OVRCUR pin dedicated to this port. This bit is only valid if the No Over-current Protection (MEMOFST 49h[4]) bit is cleared and Over-current Protection Mode (MEMOFST 49h[3]) bit is set.<br>(2) If the Device Removable bits (MEMOFST 4Ch[15:0]) are set (not removable), bit 0 is always 1. |          |  |   |   |   |   |  |

# FireLink USB

## 82C862

[查询"82C862"供应商](#)

| 7  | 6 | 5  | 4   | 3   | 2   | 1   | 0   |
|--|---|--|---|---|---|---|---|
| MEMOFST 55h  |   |  |   |   |   |   |   |
| <b>HcRhPort1Status Register - Byte 1</b>   |   |  |   |   |   |   |   |
| <b>Default = 00h</b>   |   |  |   |   |   |   |   |
| Reserved   |   |  |   |   |   | <u>Read:</u> Low Speed Device Attached(1)<br>0 = Full speed device<br>1 = Low speed device<br><br><u>Write:</u> Clear Port Power<br>0 = No effect<br>1 = Clears Port Power Status (bit 0)                   | <u>Read:</u> Port Power Status(2)<br>0 = Port power is off<br>1 = Port power is on<br><br><u>Write:</u> Set Port Power<br>0 = No effect<br>1 = Sets Port Power Status |
| (1) Bit 1 defines the speed (and bus idle) of the attached device. It is only valid when Current Connect Status (MEMOFST 54h[0]) bit is set.<br>(2) Bit 0 reflects the power state of the port regardless of the power switching mode. If the No Power Switching (MEMOFST 49h[1]) bit is set, bit 0 is always read as 1. |   |  |   |   |   |   |   |
| MEMOFST 56h  |   |  |   |   |   |   |   |
| <b>HcRhPort1Status Register - Byte 2</b>   |   |  |   |   |   |   |   |
| <b>Default = 00h</b>   |   |  |   |   |   |   |   |
| Reserved   |   | Port Reset Status Change<br>0 = Port reset is not complete<br>1 = Port reset is complete | Port Over-current Indicator Change<br><br>This bit is set when the Over-current Indicator (MEMOFST 50h[1]) bit changes.<br><br>Write 1 to clear | Port Suspend Status Change<br><br>Indicates the completion of the selective resume sequence for the port.<br>0 = Port is not resumed<br>1 = Port resume is complete | Port Enable Status Change<br><br>Indicates that the port has been disabled due to a hardware event (cleared Port Enable Status, MEMOFST 54h[1]).<br>0 = Port has not been disabled<br>1 = Port Enable Status has been cleared | Connect Status Change<br><br>Indicates a connect or disconnect event has been detected.<br>0 = No connect/disconnect event<br>1 = Hardware detection of connect/disconnect event(1)<br><br>Write 1 to clear |   |
| (1) If the Device Removable Bits (MEMOFST 4Ch[15:1]) are set, bit 0 resets to 1.   |   |  |   |   |   |   |   |
| MEMOFST 57h  |   |  |   |   |   |   |   |
| <b>HcRhPort1Status Register - Byte 3</b>   |   |  |   |   |   |   |   |
| Reserved   |   |  |   |   |   |   |   |



[查询"82C862"供应商](#)

| 7   | 6 | 5  | 4   | 3   | 2   | 1   | 0                    |  |
|---|---|--|---|---|---|---|----------------------|--|
| <b>MEMOFST 58h</b>  |   | <b>HcRhPort2Status Register - Byte 0</b>   |   |   |   |   | <b>Default = 00h</b> |  |
| Reserved  |   | <u>Read:</u> Port Reset Status<br>0 = Port reset status signal not active<br>1 = Port reset signal active<br><br><u>Write:</u> Set Port Reset<br>0 = No effect<br>1 = Sets Port Reset Status | <u>Read:</u> Port Over-current Indicator(1)<br>0 = No over-current condition<br>1 = Over-current condition<br><br><u>Write:</u> Clear Port Suspend<br>0 = No effect<br>1 = Initiates selective resume sequence for the port | <u>Read:</u> Port Suspend Status<br>0 = Port is not suspended<br>1 = Port is selectively suspended<br><br><u>Write:</u> Set Port Suspend<br>0 = No effect<br>1 = Sets Port Suspend Status | <u>Read:</u> Port Enable Status<br>0 = Port disabled<br>1 = Port enabled<br><br><u>Write:</u> Set Port Enable<br>0 = No effect<br>1 = Sets Port Enable Status                             | <u>Read:</u> Current Connect Status<br>0 = No device connected<br>1 = Device connected.(2)<br><br><u>Write:</u> Clear Port Enable<br>0 = No effect<br>1 = Clears Port Enable Status bit (bit 1) |                      |  |
| (1) The USB core supports global over-current reporting. This bit reflects the state of the OVRCUR pin dedicated to this port. This bit is only valid if the No Over-current Protection (MEMOFST 49h[4]) bit is cleared and Over-current Protection Mode (MEMOFST 49h[3]) bit is set.<br>(2) If the Device Removable bits (MEMOFST 4Ch[15:0]) are set (not removable), bit 0 is always 1. |   |  |   |   |   |   |                      |  |
| <b>MEMOFST 59h</b>  |   | <b>HcRhPort2Status Register - Byte 1</b>   |   |   |   |   | <b>Default = 00h</b> |  |
| Reserved  |   | Reserved   |   |   | <u>Read:</u> Low Speed Device Attached(1)<br>0 = Full speed device<br>1 = Low speed device<br><br><u>Write:</u> Clear Port Power<br>0 = No effect<br>1 = Clears Port Power Status (bit 0) | <u>Read:</u> Port Power Status(2)<br>0 = Port power is off<br>1 = Port power is on<br><br><u>Write:</u> Set Port Power<br>0 = No effect<br>1 = Sets Port Power Status                           |                      |  |
| (1) Bit 1 defines the speed (and bus idle) of the attached device. It is only valid when Current Connect Status (MEMOFST 54h[0]) bit is set.<br>(2) Bit 0 reflects the power state of the port regardless of the power switching mode. If the No Power Switching (MEMOFST 49h[1]) bit is set, bit 0 is always read as 1.  |   |  |   |   |   |   |                      |  |

# FireLink USB

## 82C862

[查询"82C862"供应商](#)

| 7  | 6 | 5   | 4  | 3  | 2  | 1  | 0                    |  |
|--|---|---|--|--|--|--|----------------------|--|
| <b>MEMOFST 5Ah</b>   |   | <b>HcRhPort2Status Register - Byte 2</b>  |  |  |  |  | <b>Default = 00h</b> |  |
| Reserved   |   | <b>Port Reset Status Change</b><br>0 = Port reset is not complete<br>1 = Port reset is complete | <b>Port Over-current Indicator Change</b><br>This bit is set when the Over-current Indicator (MEMOFST 50h[1]) bit changes.<br>Write 1 to clear | <b>Port Suspend Status Change</b><br>Indicates the completion of the selective resume sequence for the port.<br>0 = Port is not resumed<br>1 = Port resume is complete | <b>Port Enable Status Change</b><br>Indicates that the port has been disabled due to a hardware event (cleared Port Enable Status, MEMOFST 54h[1]).<br>0 = Port has not been disabled<br>1 = Port Enable Status has been cleared | <b>Connect Status Change</b><br>Indicates a connect or disconnect event has been detected.<br>0 = No connect/disconnect event<br>1 = Hardware detection of connect/disconnect event(1)<br>Write 1 to clear |                      |  |
| (1) If the Device Removable Bits (MEMOFST 4Ch[15:1]) are set, bit 0 resets to 1. |   |   |  |  |  |  |                      |  |
| <b>MEMOFST 5Bh</b>   |   | <b>HcRhPort2 Status Register - Byte 3</b>   |  |  |  |  | <b>Default = 00h</b> |  |
| Reserved   |   |   |  |  |  |  |                      |  |

[查询"82C862"供应商](#)

### 5.2.2 Legacy Support Registers

Four registers are provided for legacy support:

1. HceControl
  - Used to enable and control the emulation hardware and report various status information.
2. HceInput
  - Emulation side of the legacy Input Buffer register.
3. HceOutput
  - Emulation side of the legacy Output Buffer register where keyboard and mouse data is to be written by software.
4. HceStatus
  - Emulation side of the legacy Status register.

These registers are located in the Host Controller Register Space; from MEMOFST 100h through 10Fh. The bit formats for these registers are described in Table 5-3.

Refer to "Legacy Support" section for information when accessing these registers when emulation is enabled.

### 5.2.3 MEMOFST 100h-1Fh (Legacy Support Registers)

| 7   | 6  | 5   | 4   | 3   | 2  | 1   | 0   |
|---|--|---|---|---|--|---|---|
| <b>MEMOFST 100h</b>   |  |   |   |   |  |   |   |
| <b>HceControl Register - Byte 0</b>   |  |   |   |   |  |   |   |
| <b>Default = 00h</b>  |  |   |   |   |  |   |   |
| IRQ12 Active<br>Indicates that a positive transition of IRQ12 from kybrd controller has occurred.<br><br>Writing a 1 clears this bit, while writing a 0 leaves it unchanged.                                | IRQ1 Active<br>Indicates that a positive transition of IRQ1 from kybrd controller has occurred.<br><br>Writing a 1 clears this bit, while writing a 0 leaves it unchanged. | GateA20 Sequence<br>Set by HC when a data value of D1h is written to Port 64h.<br><br>Cleared by HC on write to Port 64h of any value other than D1h. | External IRQEn<br>IRQ1 and IRQ12 from kybrd controller causes emulation interrupt:<br>0 = Disable<br>1 = Enable<br><br>This bit is independent of the Emulation Enable bit (bit 0) setting. | IRQEn<br>If the Output Full bit (MEMOFST 10Ch[0]) = 1, HC generates IRQ1 or IRQ12.<br><br>If the Aux Output Full bit (MEMOFST 10Ch[5]) = 0, HC generates IRQ1; if = 1, HC generates IRQ12.<br><br>0 = Disable<br>1 = Enable | Character Pending<br>HC generates emulation interrupt when the Output Full bit (MEMOFST 10Ch[0]) = 0.<br><br>0 = Disable<br>1 = Enable | Emulation Interrupt (RO)<br>A static decode of the emulation interrupt condition.   | Emulation Enable<br>HC is enabled for legacy emulation?<br><br>0 = No<br>1 = Yes(1) |
| (1) The HC decodes accesses to Ports 60h/64h and generates IRQ1 and/or IRQ12 when appropriate. Additionally, the HC generates an emulation interrupt at appropriate times to invoke the emulation software. |  |   |   |   |  |   |   |
| <b>MEMOFST 101h</b>   |  |   |   |   |  |   |   |
| <b>HceControl Register - Byte 1</b>   |  |   |   |   |  |   |   |
| <b>Default = 00h</b>  |  |   |   |   |  |   |   |
| Reserved  |  |   |   |   |  | A20 State:<br>Indicates current state of Gate A20 on kybrd controller. Used to compare against value written to Port 60h when GateA20 Sequence is active. |   |
| <b>MEMOFST 102h-103h</b>  |  |   |   |   |  |   |   |
| <b>HceControl Register - Bytes 2 &amp; 3</b>  |  |   |   |   |  |   |   |
| <b>Default = 00h</b>  |  |   |   |   |  |   |   |

# FireLink USB

## 82C862

| 7   |                             | 6   |  | 5  | 4  | 3   | 2  | 1                    | 0 |
|---|-----------------------------|---|--|--|--|---|--|----------------------|---|
| Reserved  |                             |   |  |  |  |   |  |                      |   |
| <b>MEMOFST 104h</b>   |                             | <b>HceInput Register - Bytes 0</b>  |  |  |  |   |  | <b>Default = 00h</b> |   |
| Input Data:   |                             |   |  |  |  |   |  |                      |   |
| - I/O data that is written to Ports 60h and 64h is captured in this register.   |                             |   |  |  |  |   |  |                      |   |
| <b>Note:</b> Refer to Table 4-4, "Emulated Registers and Side Effects", if emulation is enabled.  |                             |   |  |  |  |   |  |                      |   |
| <b>MEMOFST 105h-107h</b>  |                             | <b>HceInput Register - Bytes 1-3</b>  |  |  |  |   |  | <b>Default = 00h</b> |   |
| Reserved  |                             |   |  |  |  |   |  |                      |   |
| <b>MEMOFST 108h</b>   |                             | <b>HceOutput Register - Bytes 0</b>   |  |  |  |   |  | <b>Default = 00h</b> |   |
| Output Data:  |                             |   |  |  |  |   |  |                      |   |
| - This register hosts data that is returned when an I/O read of Port 60h is performed by application software.  |                             |   |  |  |  |   |  |                      |   |
| <b>Note:</b> Refer to Table 4-4, "Emulated Registers and Side Effects", if emulation is enabled.)   |                             |   |  |  |  |   |  |                      |   |
| <b>MEMOFST 109h-10Bh</b>  |                             | <b>HceOutput Register - Bytes 1-3</b>   |  |  |  |   |  | <b>Default = 00h</b> |   |
| Reserved  |                             |   |  |  |  |   |  |                      |   |
| <b>MEMOFST 10Ch</b>   |                             | <b>HceStatus Register - Byte 0</b>  |  |  |  |   |  | <b>Default = 00h</b> |   |
| Parity  | Time-out                    | Aux Output Full   | Inhibit Switch   | Cmd Data   | Flag   | Input Full  | Output Full  |                      |   |
| Indicates parity error on keyboard/mouse data.  | Used to indicate a time-out | Assert IRQ12 if Output Full bit (MEMOFST 10Ch[0]) = 1 and IRQEn bit (MEMOFST 100h[3]) = 1?<br>0 = No<br>1 = Yes | Reflects state of the keyboard inhibit switch:<br>0 = Inhibited<br>1 = Not inhibited | HC sets this bit on I/O writes to Ports 60h and 64h:<br>0 = Port 60h<br>1 = Port 64h | Nominally used as a system flag by software to indicate a warm or cold boot. | HC sets this bit to 1 on an I/O write to Port 60h or 64h except for the case of a GateA20 Sequence. While set to 1 and emulation is enabled (MEMOFST 100h[0] = 1), an emulation interrupt condition exists. | HC sets this bit to 0 on a read of Port 60h. While this bit is 0 and the Character Pending bit (MEMOFST 100h[2]) = 1, an emulation interrupt condition exists. Setting this bit to 1 will generate either IRQ1 or IRQ12 under certain conditions(1). |                      |   |
| (1) If the IRQEn bit (MEMOFST 100h[3]) = 1 and Aux Output Full bit (MEMOFST 10Ch[5]) = 0: IRQ1 is generated.<br>If the IRQEn bit (MEMOFST 100h[3]) = 1 and Aux Output Full bit (MEMOFST 10Ch[5]) = 1: IRQ12 is generated. |                             |   |  |  |  |   |  |                      |   |
| <b>Note:</b> Refer to Table 4-4, "Emulated Registers and Side Effects", on page 18 if emulation is enabled.   |                             |   |  |  |  |   |  |                      |   |
| <b>MEMOFST 10Dh-10Fh</b>  |                             | <b>HceStatus Register - Bytes 1-3</b>   |  |  |  |   |  | <b>Default = 00h</b> |   |
| Reserved  |                             |   |  |  |  |   |  |                      |   |

## 6.0 Electrical Ratings

Stresses above those listed in the following tables may cause permanent damage to the device. These are stress ratings only and functional operation of the device at these or any other conditions above those indicated in the operational sections of this specification are not implied.

### 6.1 Absolute Maximum Ratings

| Symbol | Parameter             | 5.0 Volt    |             | 3.3 Volt |           | Unit      |
|--------|-----------------------|-------------|-------------|----------|-----------|-----------|
|        |                       | Min         | Max         | Min      | Max       |           |
| VCC    | Supply Voltage        | not allowed | not allowed |          | +4.0      | V         |
| VI     | Input Voltage         | -0.5        | VCC + 0.5   | -0.5     | VCC + 0.5 | V         |
| VO     | Output Voltage        | -0.5        | VCC + 0.5   | -0.5     | VCC + 0.5 | V         |
| TOP    | Operating Temperature | 0           | +70         | 0        | +70       | degrees C |
| TSTG   | Storage Temperature   | -40         | +125        | -40      | +125      | degrees C |

### 6.2 DC Characteristics:

VCC = 3.3V  $\pm$ 5%, TA = 0C to +70C

| Symbol | Parameter                          | Min  | Max   | Unit    | Condition    |
|--------|------------------------------------|--|-------|---------|--------------|
| VIL    | Input low Voltage                  | -0.5   | +0.8  | V       |              |
| VIH    | Input high Voltage                 | +2.0   | +5.5  | V       |              |
| VOL    | Output low Voltage                 |  | +0.4  | V       | IOL = 4.0mA  |
| VOH    | Output high Voltage                | +2.4   |       | V       | IOH = -1.6mA |
| IIL    | Input Leakage Current              |  | +10.0 | $\mu$ A | VIN = VCC    |
| IOZ    | Tristate Leakage Current           |  | +10.0 | $\mu$ A |              |
| CIN    | Input Capacitance                  |  | +10.0 | pF      |              |
| COUT   | Output Capacitance                 |  | +10.0 | pF      |              |
| ICC    | Power Supply Current:<br>3.3V Core | <b>Predicted:</b> 100mA max during operation,<br>1mA max during Standby (all clocks stopped) |       |         |              |

# FireLink USB 82C862

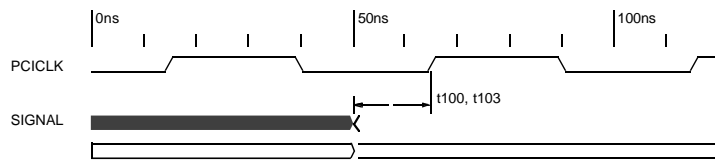
[查询"82C862"供应商](#)

## 6.3 AC Characteristics (Preliminary)

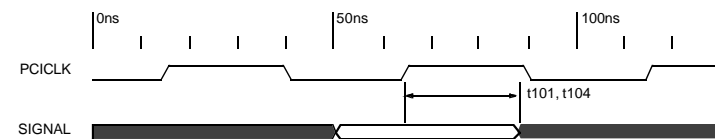
### 6.3.1 PCI Bus AC Timings

| Sym  | Parameter   | Min | Max | Unit | Figure |
|------|---|-----|-----|------|--------|
| t100 | C/BE[3:0]#, AD[31:0], FRAME#, IRDY#, TRDY#, STOP#, DEVSEL#, LOCK#, PAR, SERR#, PERR# setup time to PCICLK rising    | 7   |     | ns   | 6-1    |
| t101 | C/BE[3:0]#, AD[31:0], FRAME#, IRDY#, TRDY#, STOP#, DEVSEL#, LOCK#, PAR, SERR#, PERR# hold time from PCICLK rising   | 0   |     | ns   | 6-2    |
| t102 | C/BE[3:0]#, AD[31:0], FRAME#, IRDY#, TRDY#, STOP#, DEVSEL#, LOCK#, PAR, SERR#, PERR# valid delay from PCICLK rising | 2   | 11  | ns   | 6-3    |
| t103 | REQ# setup time to PCICLK rising  | 12  |     | ns   | 6-1    |
| t104 | REQ# hold time from PCICLK rising   | 0   |     | ns   | 6-2    |
| t105 | GNT# valid delay from PCICLK rising   | 2   | 12  | ns   | 6-3    |

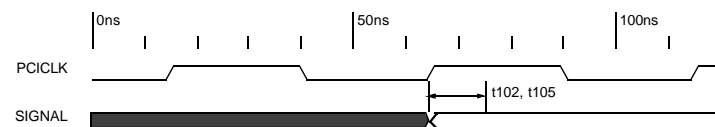
**Figure 6-1 Setup Timing Waveform**



**Figure 6-2 Hold Timing Waveform**



**Figure 6-3 Output Delay Timing Waveform**



[查询"82C862"供应商](#)

### 6.3.2 USB AC Timings: Full Speed Source

| Sym                           | Parameter  | Min    | Max    | Unit | Figure | Condition (Notes 1, 2, and 3)    |
|-------------------------------|--|--------|--------|------|--------|----------------------------------|
| <b>Driver Characteristics</b> |  |        |        |      |        |                                  |
| tR                            | Transition Time:<br>Rise Time                            | 4      | 20     | ns   |        | CL = 50pF, Notes 5 and 6         |
| tF                            | Fall Time  | 4      | 20     | ns   |        |                                  |
| tRFM                          | Rise/Fall Time Matching                                  | 90     | 110    | %    |        | (tR/tF)                          |
| vCRS                          | Output Signal Crossover Voltage                          | 1.3    | 2.0    | V    |        |                                  |
| zDRV                          | Driver Output Resistance                                 | 28     | 43     | ohm  |        | Steady state drive               |
| <b>Data Source Timings</b>    |  |        |        |      |        |                                  |
| tDRATE                        | Full Speed Data Rate                                     | 11.97  | 12.03  | Mb/s |        | Average bit rate = 12Mb/s ±0.25% |
| tFRAME                        | Frame Interval   | 0.9995 | 1.0005 | ms   |        | 1.0ms ±0.05%                     |
| tDJ1                          | Source Differential Driver Jitter:<br>To Next Transition | -3.5   | 3.5    | ns   |        | Notes 7 and 8                    |
| tDJ2                          | For Paired Transitions                                   | -4.0   | 4.0    | ns   |        |                                  |
| tEOPT                         | Source EOP Width   | 160    | 175    | ns   |        | Note 8                           |
| tDEOP                         | Differential to EOP Transition Skew                      | -2     | 5      | ns   |        | Note 8                           |
| tJR1                          | Receiver Data Jitter Tolerance:<br>To Next Transition    | -18.5  | 18.5   | ns   |        | Note 8                           |
| tJR2                          | For Paired Transitions                                   | -9     | 9      | ns   |        |                                  |
| tEOPR1                        | EOP Width at Receiver:<br>Must Reject at EOP             | 40     |        | ns   |        | Note 8                           |
| tEOPR2                        | Must Accept as EOP                                       | 82     |        | ns   |        |                                  |

# FireLink USB

## 82C862

[查询"82C862"供应商](#)

### 6.3.3 USB AC Timings: Low Speed Source

| Sym                           | Parameter   | Min    | Max    | Unit | Figure | Condition (Notes 1, 2, and 4)                  |
|-------------------------------|---|--------|--------|------|--------|--|
| <b>Driver Characteristics</b> |   |        |        |      |        |  |
| tR                            | Transition Time:<br>Rise Time   | 75     | 300    | ns   |        | Notes 5 and 6<br>Min# measured with: CL = 50pF |
| tF                            | Fall Time   | 75     | 300    | ns   |        | Max# measured with: CL = 350pF                 |
| tRFM                          | Rise/Fall Time Matching   | 80     | 120    | %    |        | (tR/tF)  |
| vCRS                          | Output Signal Crossover Voltage   | 1.3    | 2.0    | V    |        |  |
| <b>Data Source Timings</b>    |   |        |        |      |        |  |
| tDRATE                        | Low Speed Data Rate   | 1.4775 | 1.5225 | Mb/s |        | Average bit rate = 1.5Mb/s ±1.5%               |
| tDDJ1                         | Source Differential Driver Jitter,<br>At Host (Downstream):<br>To Next Transition   | -75    | 75     | ns   |        | Notes 7 and 8                                  |
| tDDJ2                         | For Paired Transitions  | -45    | 45     | ns   |        |  |
| tUDJ1                         | Source Differential Driver Jitter,<br>At Function (Upstream):<br>To Next Transition | -95    | 95     | ns   |        | Notes 7 and 8                                  |
| tUDJ2                         | For Paired Transitions  | -150   | 150    | ns   |        |  |
| tEOPT                         | Source EOP Width  | 1.25   | 150    | µs   | 6-5    | Note 8   |
| tDEOP                         | Differential to EOP Transition Skew   | -40    | 100    | ns   | 6-5    | Note 8   |
| tUJR1                         | Receiver Data Jitter Tolerance,<br>At Host (Upstream):<br>To Next Transition        | -152   | 152    | ns   | 6-6    |  |
| tUJR2                         | For Paired Transitions  | -200   | 200    | ns   |        |  |
| tDJR1                         | Receiver Data Jitter Tolerance,<br>At Function (Downstream):<br>To Next Transition  | -75    | 75     | ns   | 6-6    |  |
| tDJR2                         | For Paired Transitions  | -45    | 45     | ns   |        |  |
| tEOPR1                        | EOP Width at Receiver:<br>Must Reject at EOP  | 330    |        | ns   | 6-6    | Note 8   |
| tEOPR2                        | Must Accept as EOP  | 675    |        | ns   |        |  |

- Notes:**
1. All voltages measured from the local ground potential, unless otherwise specified.
  2. All timings use a capacitive load (CL) to ground of 50pF, unless otherwise specified.
  3. Full speed timings have a 1.5 kohm pull-up to 2.8V on the D+ data line.
  4. Low speed timings have a 1.5 kohm pull-up to 2.8V on the D- line.
  5. Measured from 10% to 90% of the data signal.
  6. The rising and falling edges should be smoothly transitioning (monotonic).
  7. Timing difference between the differential data signals.
  8. Measured at crossover point of differential data signals.
  9. The maximum load specification is the maximum effective capacitive load allowed that meets the target hub Vbus droop of 330mV.



Figure 6-4 Differential Data Jitter

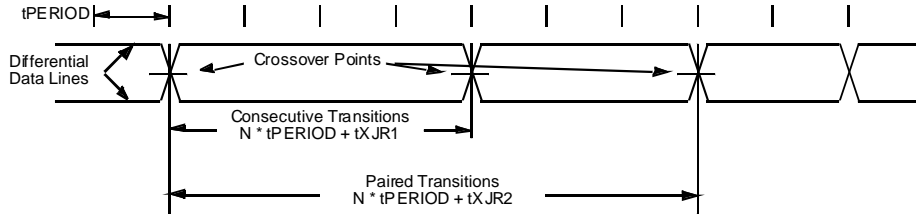


Figure 6-5 Differential to EOP Transition Skew and EOP Width

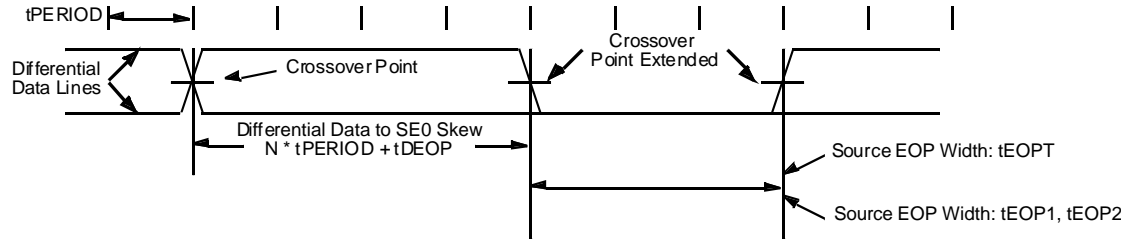
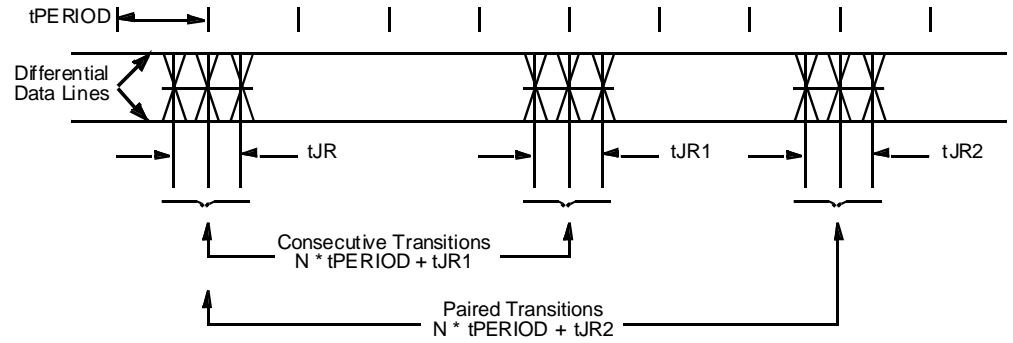
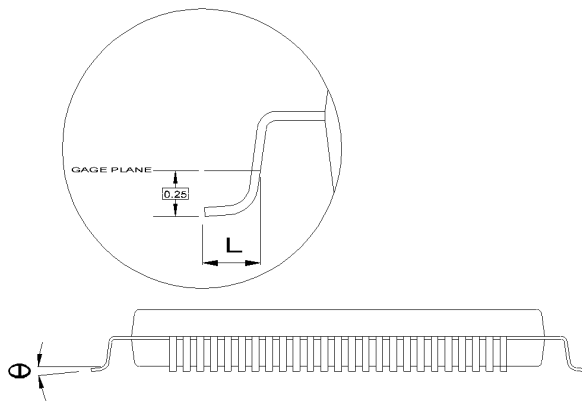
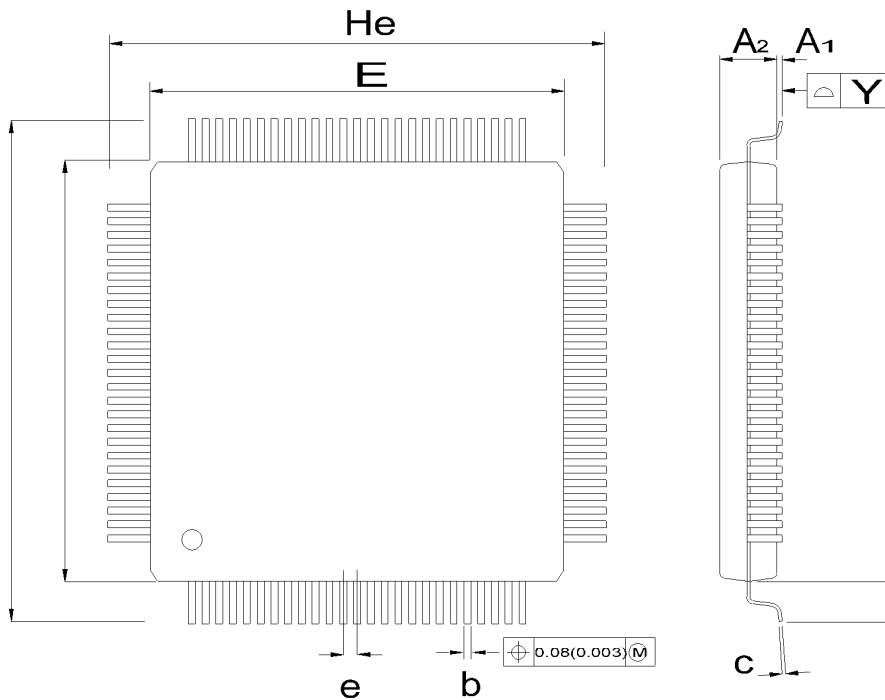


Figure 6-6 Receiver Jitter Tolerance



### 7.0 Mechanical Package Outlines

Figure 3. 100-Pin Low-Profile Quad Flat Pack (LQFP)



| SYMBOL         | MILLIMETER |       |       | INCH  |       |       |
|----------------|------------|-------|-------|-------|-------|-------|
|                | MIN.       | NOM.  | MAX.  | MIN.  | NOM.  | MAX.  |
| A <sub>1</sub> | 0.05       | 0.10  | 0.15  | 0.002 | 0.004 | 0.006 |
| A <sub>2</sub> | 1.35       | 1.40  | 1.45  | 0.053 | 0.055 | 0.057 |
| b              | 0.17       | 0.22  | 0.27  | 0.007 | 0.009 | 0.011 |
| c              | 0.090      |       | 0.200 | 0.004 |       | 0.008 |
| D              | 13.90      | 14.00 | 14.10 | 0.547 | 0.551 | 0.555 |
| E              | 13.90      | 14.00 | 14.10 | 0.547 | 0.551 | 0.555 |
| e              |            | 0.50  |       |       | 0.020 |       |
| H <sub>d</sub> | 15.90      | 16.00 | 16.10 | 0.626 | 0.630 | 0.634 |
| H <sub>e</sub> | 15.90      | 16.00 | 16.10 | 0.626 | 0.630 | 0.634 |
| L              | 0.45       | 0.60  | 0.75  | 0.018 | 0.024 | 0.030 |
| L <sub>1</sub> |            | 1.00  |       |       | 0.039 |       |
| Y              |            |       | 0.08  |       |       | 0.003 |
| θ              | 0          |       | 7     | 0     |       | 7     |

|            |               |                 |
|------------|---------------|-----------------|
| Dwg. No.:  | AS100TQFP-001 |                 |
| Dwg. Rev.: | A0            | Unit: MM / INCH |

[查询"82C862"供应商](#)

### 8.0 NAND Tree Test Mode

The NAND tree mode tests both input and bi-directional pins that are part of the NAND tree chain. The NAND tree chain starts at pin 21 (TEST0) while the output of the chain is at pin 4 (AD0).

To enable the NAND tree test mode, strap FireLink 2.0 by pulling up the following pins during the rising edge of RESET#: Pin 25 (TEST1) and Pin 21 (TEST0). For reliable strapping, toggle PCICLK at least two times after RESET# goes low, and at least two times after RESET# goes high. After that strapping sequence, set both RESET# and PCICLK high. Do not toggle RESET# and PCICLK during the NAND tree test.

Once in NAND tree mode, all pins together form the inputs to a NAND gate, with AD0 becoming the output of the NAND gate.