

DATA SHEET

For a complete data sheet, please also download:

- The IC04 LOCMOS HE4000B Logic Family Specifications HEF, HEC
- The IC04 LOCMOS HE4000B Logic Package Outlines/Information HEF, HEC

HEF4532B

MSI

8-input priority encoder

Product specification
File under Integrated Circuits, IC04

January 1995

8-input priority encoder

HEF4532B MSI

DESCRIPTION

The HEF4532B is an 8-input priority encoder with eight active HIGH priority inputs (I_0 to I_7), three active HIGH outputs (O_0 to O_2), an active HIGH enable input (E_{in}), an active HIGH enable output (E_{out}) and an active HIGH group select output (GS).

Data is accepted on inputs I_0 to I_7 . The binary code

corresponding to the highest priority input (I_0 to I_7) which is HIGH, is generated on O_0 to O_2 if E_{in} is HIGH. Input I_7 is assigned the highest priority.

GS is HIGH when one or more priority inputs and E_{in} are HIGH. E_{out} is HIGH when I_0 to I_7 are LOW and E_{in} is HIGH. E_{in} , when LOW, forces all outputs (O_0 to O_2 , GS, E_{out}) LOW.

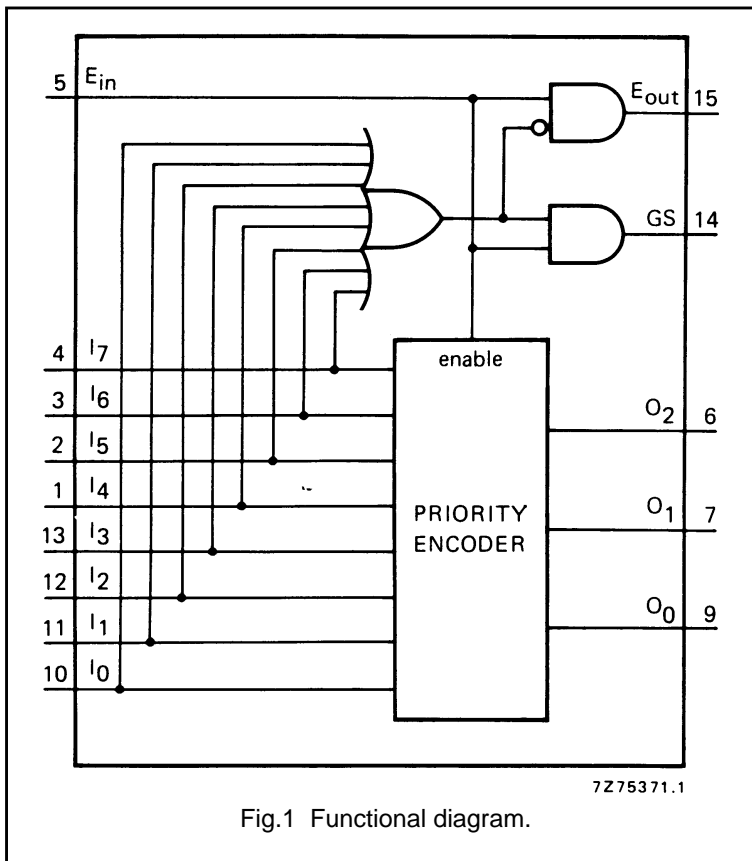


Fig.1 Functional diagram.

- HEF4532BP(N): 16-lead DIL; plastic (SOT38-1)
 - HEF4532BD(F): 16-lead DIL; ceramic (cerdip) (SOT74)
 - HEF4532BT(D): 16-lead SO; plastic (SOT109-1)
- (): Package Designator North America

PINNING

- I_0 to I_7 priority inputs
- E_{in} enable input
- E_{out} enable output
- GS group select output
- O_0 to O_2 outputs

FAMILY DATA, I_{DD} LIMITS category MSI

See Family Specifications

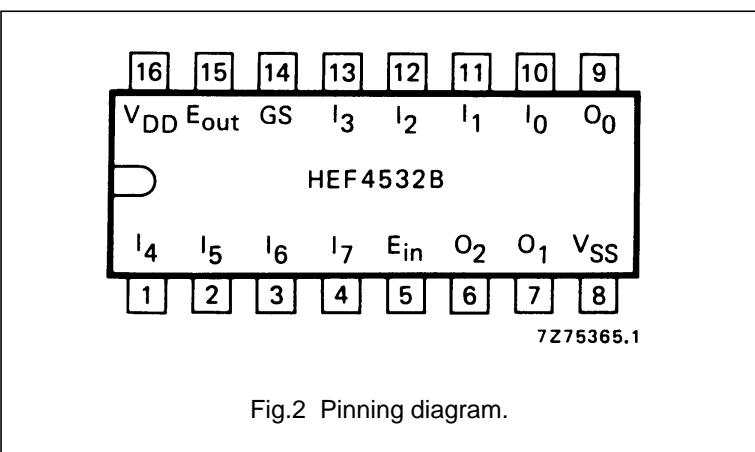


Fig.2 Pinning diagram.

8-input priority encoder

HEF4532B
MSI

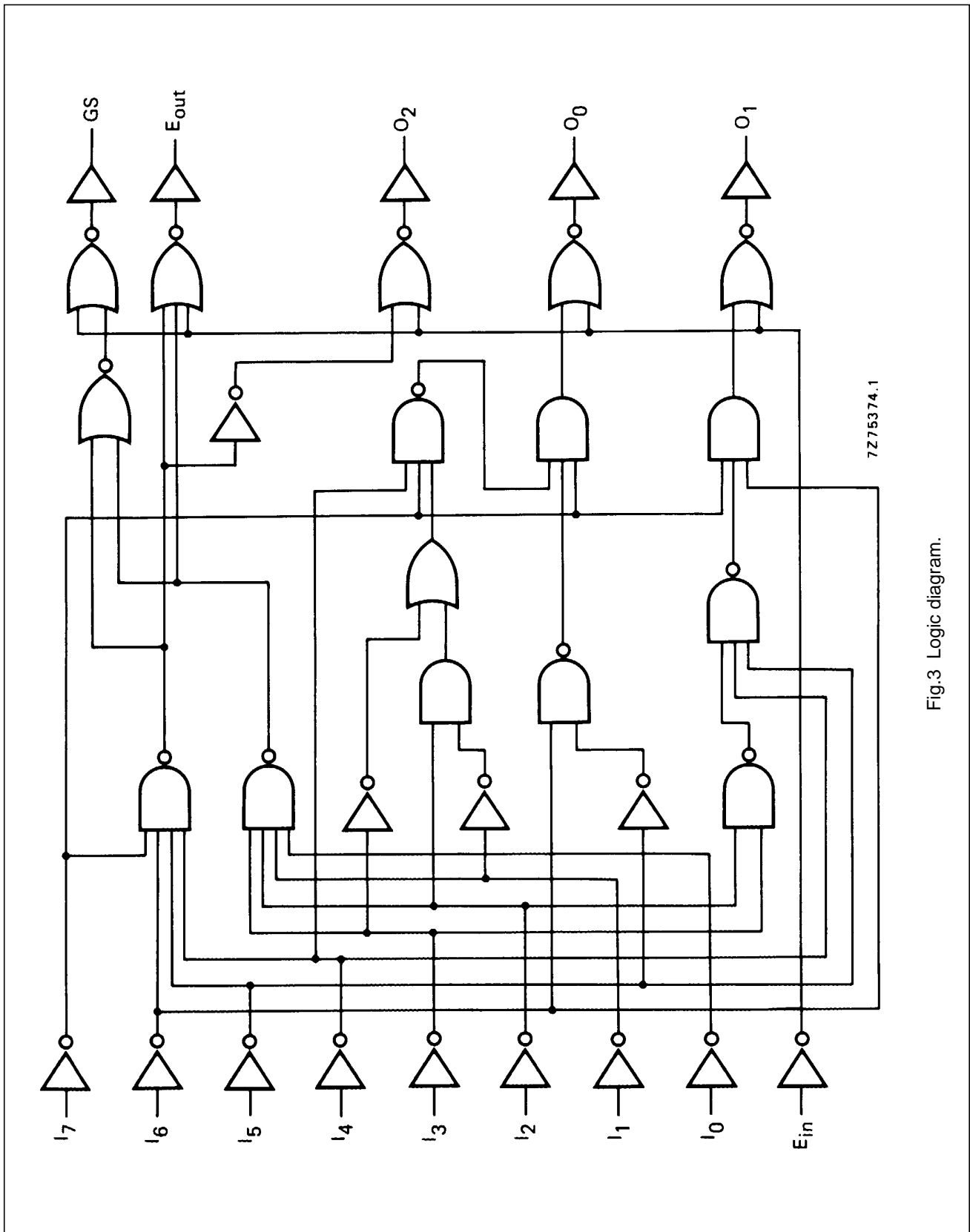


Fig.3 Logic diagram.

8-input priority encoder

HEF4532B
MSI

TRUTH TABLE

INPUTS									OUTPUTS				
E _{in}	I ₇	I ₆	I ₅	I ₄	I ₃	I ₂	I ₁	I ₀	GS	O ₂	O ₁	O ₀	E _{out}
L	X	X	X	X	X	X	X	X	L	L	L	L	L
H	L	L	L	L	L	L	L	L	L	L	L	L	H
H	H	X	X	X	X	X	X	X	H	H	H	H	L
H	L	H	X	X	X	X	X	X	H	H	H	L	L
H	L	L	H	X	X	X	X	X	H	H	L	H	L
H	L	L	L	H	X	X	X	X	H	H	L	L	L
H	L	L	L	L	H	X	X	X	H	L	H	H	L
H	L	L	L	L	L	H	X	X	H	L	H	L	L
H	L	L	L	L	L	L	H	X	H	L	L	H	L
H	L	L	L	L	L	L	L	H	H	L	L	L	L

Notes

1. H = HIGH state (the more positive voltage)
2. L = LOW state (the less positive voltage)
3. X = state is immaterial

LOGIC EQUATIONS

$$O_2 = E_{in} \cdot (I_4 + I_5 + I_6 + I_7)$$

$$O_1 = E_{in} \cdot (I_2 \cdot \bar{I}_4 \cdot \bar{I}_5 + I_3 \cdot \bar{I}_4 \cdot \bar{I}_5 + I_6 + I_7)$$

$$O_0 = E_{in} \cdot (I_1 \cdot \bar{I}_2 \cdot \bar{I}_4 \cdot \bar{I}_6 + I_3 \cdot \bar{I}_4 \cdot \bar{I}_6 + I_5 \cdot \bar{I}_6 + I_7)$$

$$E_{out} = E_{in} \cdot \bar{I}_0 \cdot \bar{I}_1 \cdot \bar{I}_2 \cdot \bar{I}_3 \cdot \bar{I}_4 \cdot \bar{I}_5 \cdot \bar{I}_6 \cdot \bar{I}_7$$

$$GS = E_{in} \cdot (I_0 + I_1 + I_2 + I_3 + I_4 + I_5 + I_6 + I_7)$$

AC CHARACTERISTICS

V_{SS} = 0 V; T_{amb} = 25 °C; input transition times ≤ 20 ns

	V _{DD} V	TYPICAL FORMULA FOR P (μW)	
Dynamic power dissipation per package (P)	5 10 15	1 620 f _i + ∑ (f _o C _L) × V _{DD} ² 6 600 f _i + ∑ (f _o C _L) × V _{DD} ² 15 970 f _i + ∑ (f _o C _L) × V _{DD} ²	where f _i = input freq. (MHz) f _o = output freq. (MHz) C _L = load capacitance (pF) ∑ (f _o C _L) = sum of outputs V _{DD} = supply voltage (V)

8-input priority encoder

HEF4532B
MSI

AC CHARACTERISTICS

$V_{SS} = 0\text{ V}$; $T_{amb} = 25\text{ }^\circ\text{C}$; $C_L = 50\text{ pF}$; input transition times $\leq 20\text{ ns}$; see also waveforms Fig.4

	V_{DD} V	SYMBOL	MIN.	TYP.	MAX.	TYPICAL EXTRAPOLATION FORMULA									
Propagation delays	5	t_{PHL}		95	190	ns	68 ns + (0,55 ns/pF) C_L								
								HIGH to LOW	10	45	90	ns	34 ns + (0,23 ns/pF) C_L		
														15	35
	5			t_{PLH}		80	160								
								LOW to HIGH	10	35	70	ns	24 ns + (0,23 ns/pF) C_L		
														15	30
	5			t_{PHL}		85	170								
								HIGH to LOW	10	45	90	ns	34 ns + (0,23 ns/pF) C_L		
														15	35
	5	t_{PLH}				80	160								
								LOW to HIGH	10	40	80	ns	29 ns + (0,23 ns/pF) C_L		
														15	30
	5	t_{PHL}				80	160								
								HIGH to LOW	10	40	80	ns	29 ns + (0,23 ns/pF) C_L		
														15	30
	5			t_{PLH}		85	170								
								LOW to HIGH	10	40	80	ns	29 ns + (0,23 ns/pF) C_L		
														15	30
5	t_{PHL}				115	230	ns								
								HIGH to LOW	10	50	100	ns	39 ns + (0,23 ns/pF) C_L		
														15	35
5		t_{PLH}			115	230	ns								
								LOW to HIGH	10	50	100	ns	39 ns + (0,23 ns/pF) C_L		
														15	35
5		t_{PHL}			115	230	ns								
								HIGH to LOW	10	50	100	ns	39 ns + (0,23 ns/pF) C_L		
														15	40
5	t_{PLH}				115	230	ns								
								LOW to HIGH	10	50	100	ns	39 ns + (0,23 ns/pF) C_L		
														15	40
5	t_{THL}				60	120	ns								
								times	10	30	60	ns	9 ns + (0,42 ns/pF) C_L		
														HIGH to LOW	15
5		t_{TLH}			60	120	ns								
								LOW to HIGH	10	30	60	ns	9 ns + (0,42 ns/pF) C_L		
														15	20

8-input priority encoder

HEF4532B
MSI

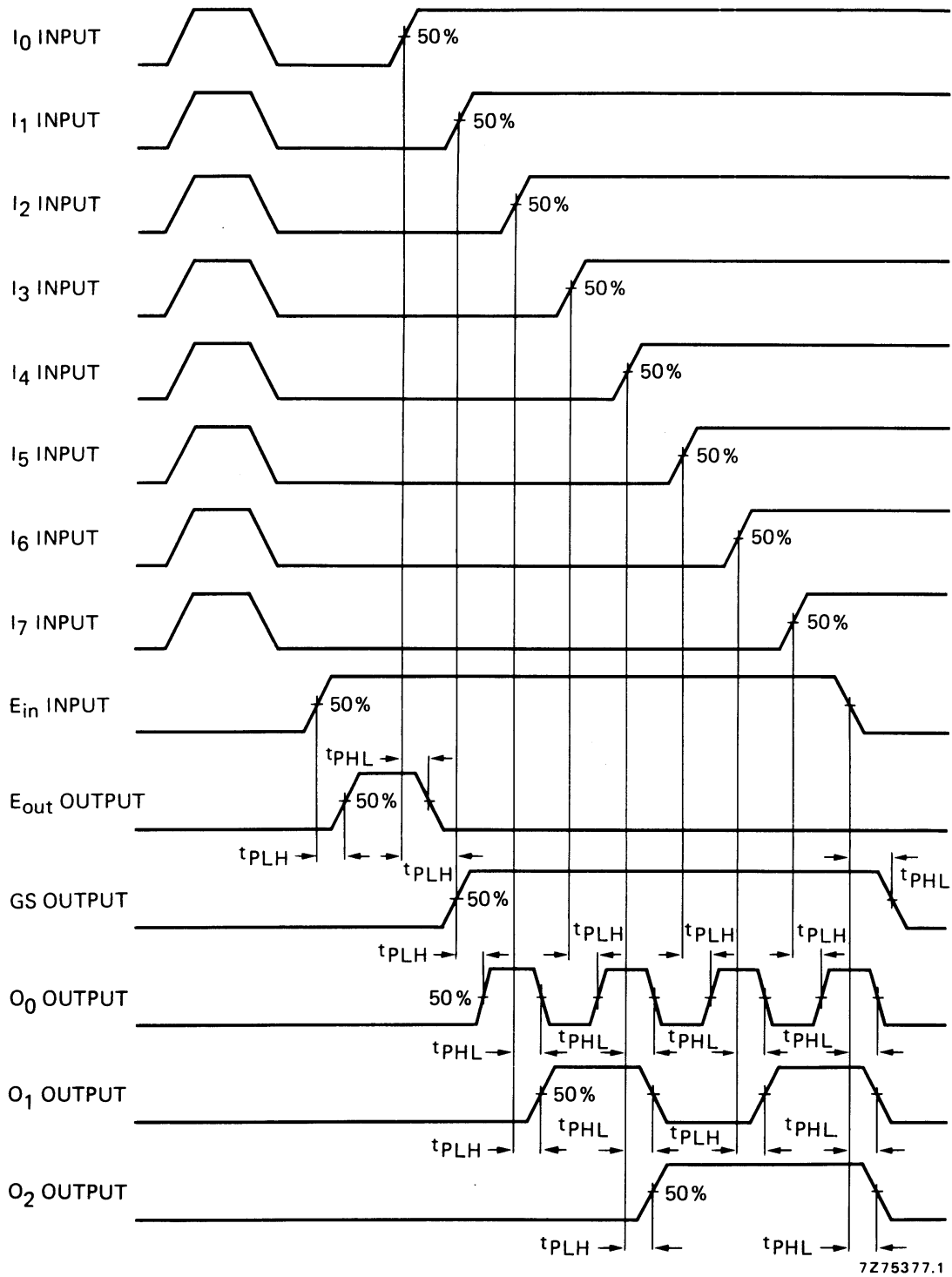


Fig.4 Waveforms showing propagation delays from inputs to outputs.

8-input priority encoder

HEF4532B
MSI

APPLICATION INFORMATION

Some examples of applications for the HEF4532B are:

- Priority encoder
- Keyboard encoder

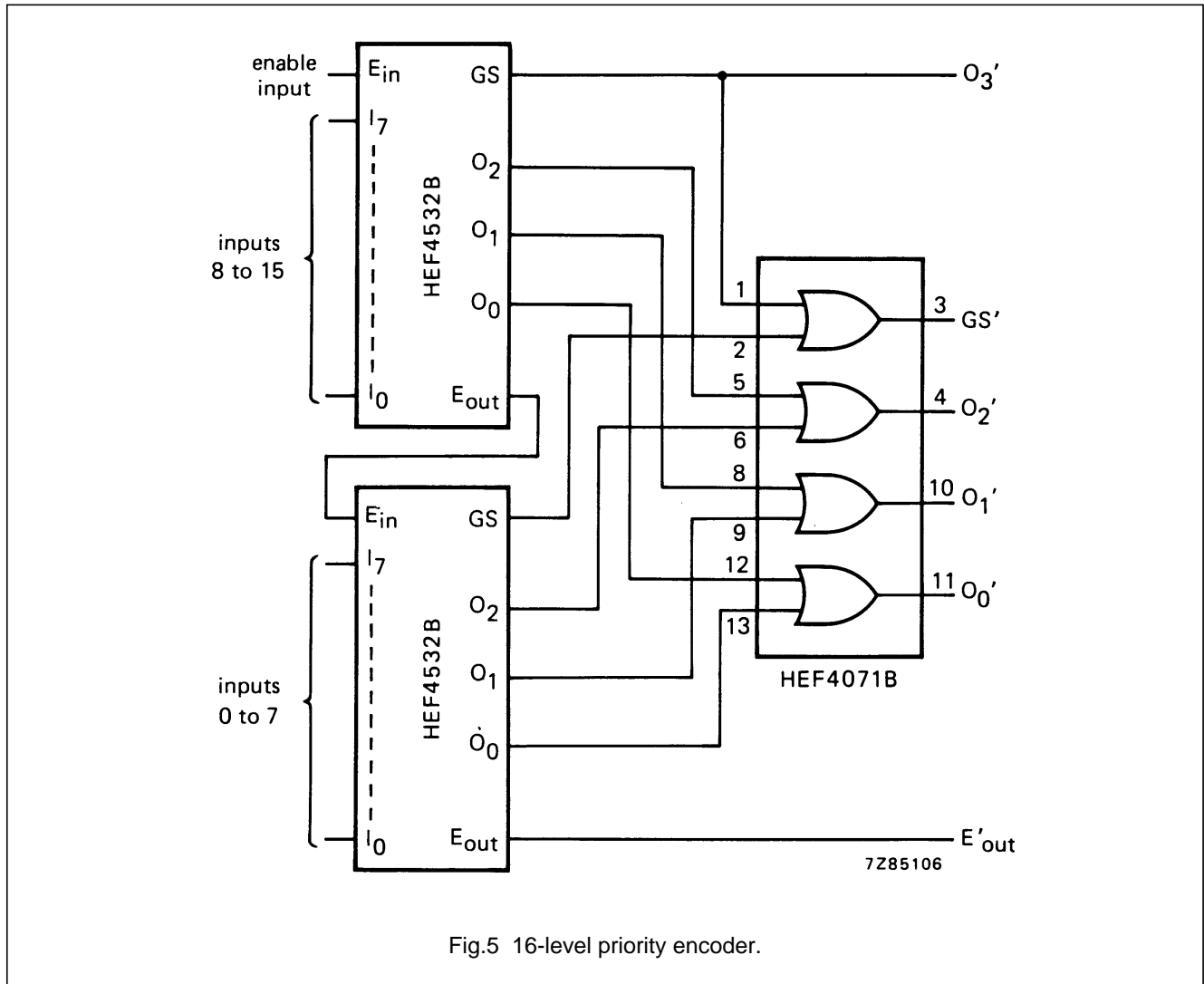


Fig.5 16-level priority encoder.

8-input priority encoder

HEF4532B
MSI

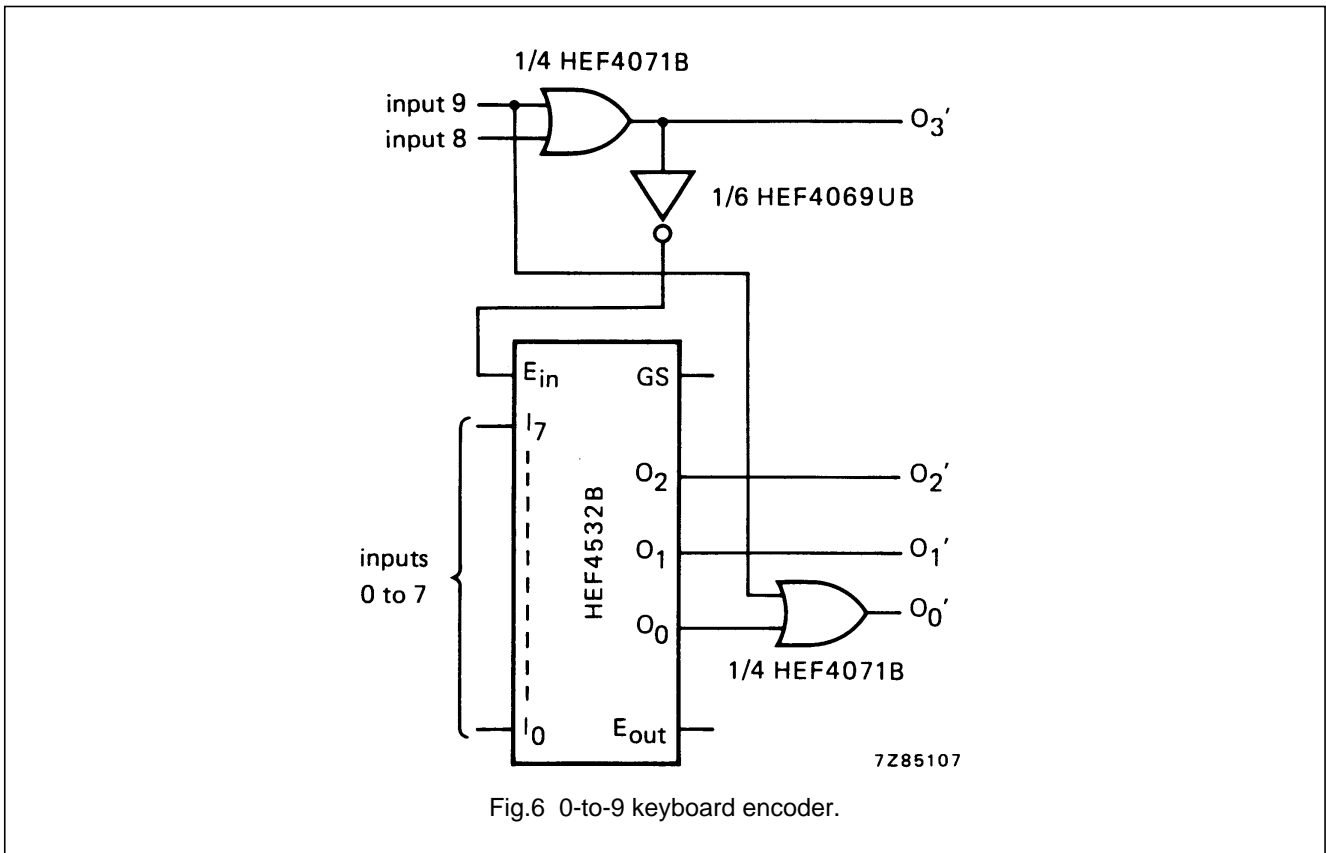


Fig.6 0-to-9 keyboard encoder.

TRUTH TABLE (for Fig.6)

INPUTS										OUTPUTS				
9	8	7	6	5	4	3	2	1	0	GS	O ₃ '	O ₂ '	O ₁ '	O ₀ '
H	X	X	X	X	X	X	X	X	X	L	H	L	L	H
L	H	X	X	X	X	X	X	X	X	L	H	L	L	L
L	L	H	X	X	X	X	X	X	X	H	L	H	H	H
L	L	L	H	X	X	X	X	X	X	H	L	H	H	L
L	L	L	L	H	X	X	X	X	X	H	L	H	L	H
L	L	L	L	L	H	X	X	X	X	H	L	H	L	L
L	L	L	L	L	L	H	X	X	X	H	L	L	H	H
L	L	L	L	L	L	L	H	X	X	H	L	L	H	L
L	L	L	L	L	L	L	L	H	X	H	L	L	L	H
L	L	L	L	L	L	L	L	L	H	H	L	L	L	L

Notes

1. H = HIGH state (the more positive voltage)
2. L = LOW state (the less positive voltage)
3. X = state is immaterial