



September 1998

# LM4766 Overture™ Audio Power Amplifier Series Dual 40W Audio Power Amplifier with Mute

## General Description

The LM4766 is a stereo audio amplifier capable of delivering typically 40W per channel of continuous average output power into an 8Ω load with less than 0.1% (THD + N).

The performance of the LM4766, utilizing its Self Peak Instantaneous Temperature (™) (S<sub>PI</sub>Ke™) Protection Circuitry, places it in a class above discrete and hybrid amplifiers by providing an inherently, dynamically protected Safe Operating Area (SOA). S<sub>PI</sub>Ke Protection means that these parts are safeguarded at the output against overvoltage, undervoltage, overloads, including thermal runaway and instantaneous temperature peaks.

Each amplifier within the LM4766 has an independent smooth transition fade-in/out mute that minimizes output pops. The IC's extremely low noise floor at 2 μV and its extremely low THD + N value of 0.06% at the rated power make the LM4766 optimum for high-end stereo TVs or mini-component systems.

## Key Specifications

- THD+N at 1 kHz at 2 x 30W continuous average output power into 8Ω: 0.1% (max)
- THD+N at 1 kHz at continuous average output power of 2 x 30W into 8Ω: 0.009% (typ)

## Features

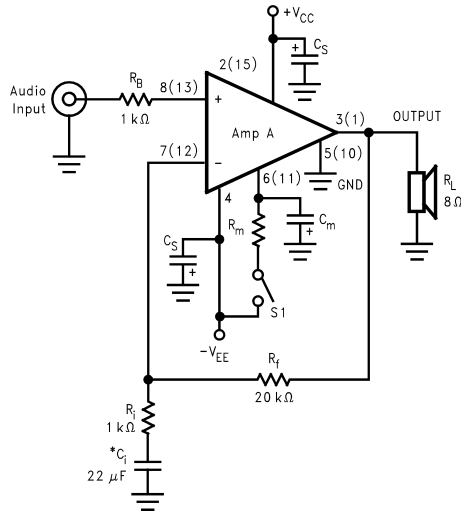
- S<sub>PI</sub>Ke Protection
- Minimal amount of external components necessary
- Quiet fade-in/out mute mode
- Non-Isolated 15-lead TO-220 package

## Applications

- High-end stereo TVs
- Component stereo
- Compact stereo

LM4766 Overture™ Audio Power Amplifier Series  
Dual 40W Audio Power Amplifier with Mute

## Typical Application

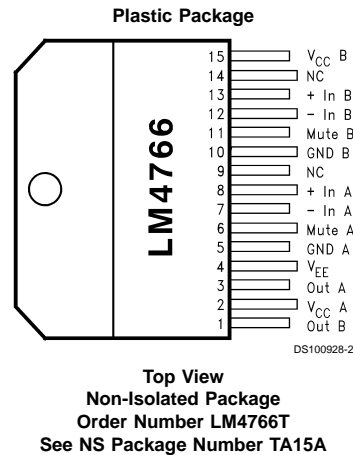


DS100928-1

FIGURE 1. Typical Audio Amplifier Application Circuit

Note: Numbers in parentheses represent pinout for amplifier B.  
\*Optional component dependent upon specific design requirements.

## Connection Diagram



DS100928-2

S<sub>PI</sub>Ke™ Protection and Overture™ are trademarks of National Semiconductor Corporation.

<b>Absolute Maximum Ratings</b> (Notes 4, 5) <b>If Military/Aerospace specified devices are required, please contact the National Semiconductor Sales Office/ Distributors for availability and specifications.</b>		Junction Temperature (Note 8) 150°C Thermal Resistance Non-Isolated T-Package $\theta_{JC}$ 1°C/W Soldering Information T Package 260°C Storage Temperature -40°C to +150°C			
Supply Voltage $ V_{CC}  +  V_{EE} $ (No Input) 78V Supply Voltage $ V_{CC}  +  V_{EE} $ (with Input) 74V Common Mode Input Voltage ( $V_{CC}$ or $V_{EE}$ ) and $ V_{CC}  +  V_{EE}  \leq 60V$ Differential Input Voltage 60V Output Current Internally Limited Power Dissipation (Note 6) 62.5W ESD Susceptibility (Note 7) 3000V	<b>Operating Ratings</b> (Notes 4, 5) Temperature Range $T_{MIN} \leq T_A \leq T_{MAX}$ -20°C $\leq T_A \leq$ +85°C Supply Voltage $ V_{CC}  +  V_{EE} $ (Note 1) 20V to 60V				
<b>Electrical Characteristics</b> (Notes 4, 5) The following specifications apply for $V_{CC} = +30V$ , $V_{EE} = -30V$ , $I_{MUTE} = -0.5$ mA with $R_L = 8\Omega$ unless otherwise specified. Limits apply for $T_A = 25^\circ C$ .					
Symbol	Parameter	Conditions	LM4766		Units (Limits)
			Typical (Note 9)	Limit (Note 10)	
$ V_{CC}  +  V_{EE} $	Power Supply Voltage (Note 11)	$GND - V_{EE} \geq 9V$	18	20 60	V (min) V (max)
$P_O$ (Note 3)	Output Power (Continuous Average)	THD + N = 0.1% (max), $f = 1$ kHz, $f = 20$ kHz	40	30	W/ch (min)
THD + N	Total Harmonic Distortion Plus Noise	30 W/ch, $R_L = 8\Omega$ , $20$ Hz $\leq f \leq 20$ kHz $A_V = 26$ dB	0.06		%
$X_{talk}$	Channel Separation	$f = 1$ kHz, $V_O = 10.9$ Vrms	60		dB
SR (Note 3)	Slew Rate	$V_{IN} = 1.2$ Vrms, $t_{rise} = 2$ ns	9	5	V/ $\mu$ s (min)
$I_{total}$ (Note 2)	Total Quiescent Power Supply Current	Both Amplifiers $V_{CM} = 0V$ , $V_O = 0V$ , $I_O = 0$ mA	48	100	mA (max)
$V_{OS}$ (Note 2)	Input Offset Voltage	$V_{CM} = 0V$ , $I_O = 0$ mA	1	10	mV (max)
$I_B$	Input Bias Current	$V_{CM} = 0V$ , $I_O = 0$ mA	0.2	1	$\mu$ A (max)
$I_{OS}$	Input Offset Current	$V_{CM} = 0V$ , $I_O = 0$ mA	0.01	0.2	$\mu$ A (max)
$I_O$	Output Current Limit	$ V_{CC}  =  V_{EE}  = 10V$ , $t_{ON} = 10$ ms, $V_O = 0V$	4	3	Apk (min)
$V_{OD}$ (Note 2)	Output Dropout Voltage (Note 12)	$ V_{CC} - V_O $ , $V_{CC} = 20V$ , $I_O = +100$ mA $ V_O - V_{EE} $ , $V_{EE} = -20V$ , $I_O = -100$ mA	1.5 2.5	4 4	V (max) V (max)
PSRR (Note 2)	Power Supply Rejection Ratio	$V_{CC} = 30V$ to $10V$ , $V_{EE} = -30V$ , $V_{CM} = 0V$ , $I_O = 0$ mA $V_{CC} = 30V$ , $V_{EE} = -30V$ to $-10V$ $V_{CM} = 0V$ , $I_O = 0$ mA	125 110	85 85	dB (min) dB (min)
CMRR (Note 2)	Common Mode Rejection Ratio	$V_{CC} = 50V$ to $10V$ , $V_{EE} = -10V$ to $-50V$ , $V_{CM} = 20V$ to $-20V$ , $I_O = 0$ mA	110	75	dB (min)
$A_{VOL}$ (Note 2)	Open Loop Voltage Gain	$R_L = 2$ k $\Omega$ , $\Delta V_O = 40V$	115	80	dB (min)
GBWP	Gain Bandwidth Product	$f_O = 100$ kHz, $V_{IN} = 50$ mVrms	8	2	MHz (min)
$e_{IN}$ (Note 3)	Input Noise	IHF — A Weighting Filter $R_{IN} = 600\Omega$ (Input Referred)	2.0	8	$\mu$ V (max)

### Electrical Characteristics (Notes 4, 5) (Continued)

The following specifications apply for  $V_{CC} = +30V$ ,  $V_{EE} = -30V$ ,  $I_{MUTE} = -0.5\text{ mA}$  with  $R_L = 8\Omega$  unless otherwise specified. Limits apply for  $T_A = 25^\circ\text{C}$ .

Symbol	Parameter	Conditions	LM4766		Units (Limits)
			Typical (Note 9)	Limit (Note 10)	
SNR	Signal-to-Noise Ratio	$P_O = 1W$ , A—Weighted, Measured at 1 kHz, $R_S = 25\Omega$	98		dB
		$P_O = 25W$ , A—Weighted Measured at 1 kHz, $R_S = 25\Omega$	112		dB
$A_M$	Mute Attenuation	Pin 6,11 at 2.5V	115	80	dB (min)

**Note 1:** Operation is guaranteed up to 60V, however, distortion may be introduced from **SPIke** Protection Circuitry if proper thermal considerations are not taken into account. Refer to the Application Information section for a complete explanation.

**Note 2:** DC Electrical Test; Refer to Test Circuit #1.

**Note 3:** AC Electrical Test; Refer to Test Circuit #2.

**Note 4:** All voltages are measured with respect to the GND pins (5, 10), unless otherwise specified.

**Note 5:** Absolute Maximum Ratings indicate limits beyond which damage to the device may occur. Operating Ratings indicate conditions for which the device is functional, but do not guarantee specific performance limits. Electrical Characteristics state DC and AC electrical specifications under particular test conditions which guarantee specific performance limits. This assumes that the device is within the Operating Ratings. Specifications are not guaranteed for parameters where no limit is given, however, the typical value is a good indication of device performance.

**Note 6:** For operating at case temperatures above  $25^\circ\text{C}$ , the device must be derated based on a  $150^\circ\text{C}$  maximum junction temperature and a thermal resistance of  $\theta_{JC} = 1^\circ\text{C/W}$  (junction to case) for the T package. Refer to the section Determining the Correct Heat Sink in the Application Information section.

**Note 7:** Human body model, 100 pF discharged through a 1.5 k $\Omega$  resistor.

**Note 8:** The operating junction temperature maximum is  $150^\circ\text{C}$ , however, the instantaneous Safe Operating Area temperature is  $250^\circ\text{C}$ .

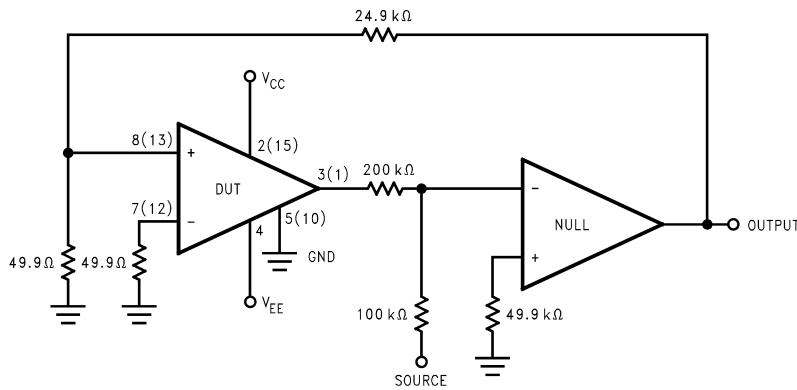
**Note 9:** Typicals are measured at  $25^\circ\text{C}$  and represent the parametric norm.

**Note 10:** Limits are guarantees that all parts are tested in production to meet the stated values.

**Note 11:**  $V_{EE}$  must have at least  $-9V$  at its pin with reference to ground in order for the under-voltage protection circuitry to be disabled. In addition, the voltage differential between  $V_{CC}$  and  $V_{EE}$  must be greater than 14V.

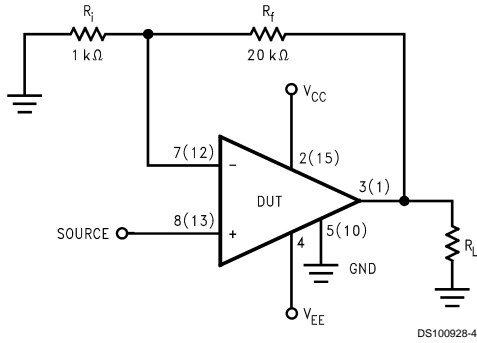
**Note 12:** The output dropout voltage,  $V_{OD}$ , is the supply voltage minus the clipping voltage. Refer to the Clipping Voltage vs. Supply Voltage graph in the Typical Performance Characteristics section.

### Test Circuit #1 (Note 2) (DC Electrical Test Circuit)

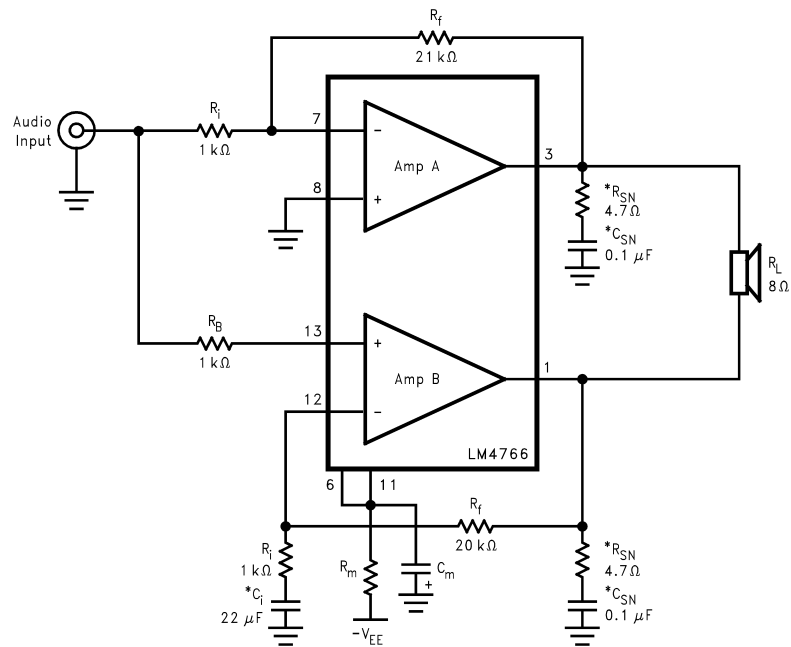


DS100928-3

**Test Circuit #2** (Note 3) (AC Electrical Test Circuit)

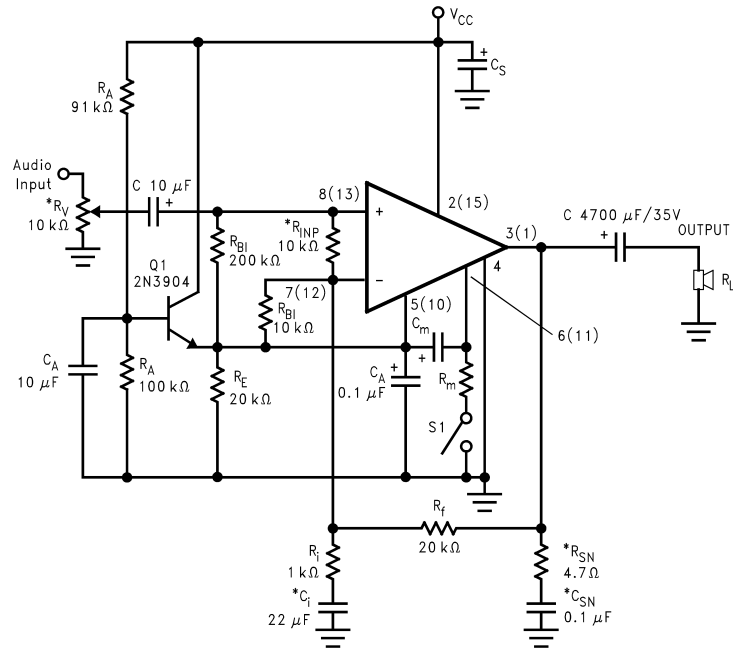


**Bridged Amplifier Application Circuit**



**FIGURE 2. Bridged Amplifier Application Circuit**

### Single Supply Application Circuit

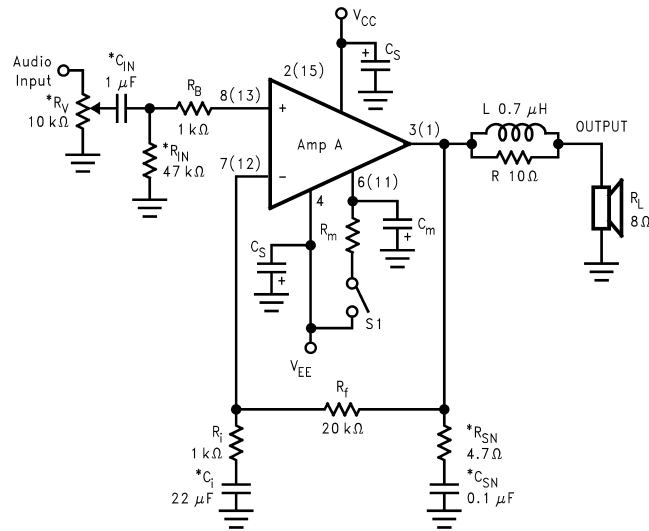


DS100928-6

FIGURE 3. Single Supply Amplifier Application Circuit

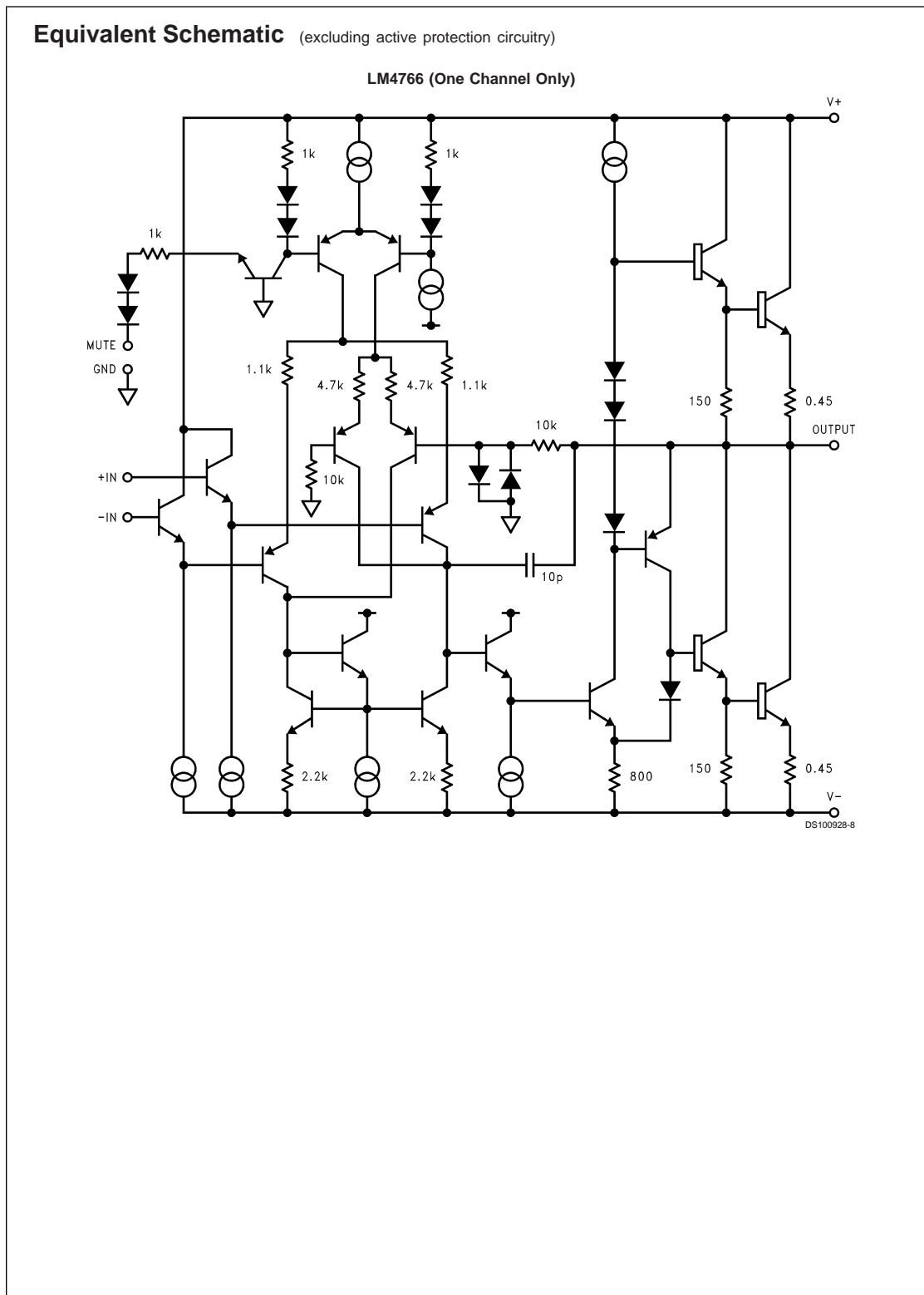
Note: \*Optional components dependent upon specific design requirements.

### Auxiliary Amplifier Application Circuit



DS100928-7

FIGURE 4. Special Audio Amplifier Application Circuit



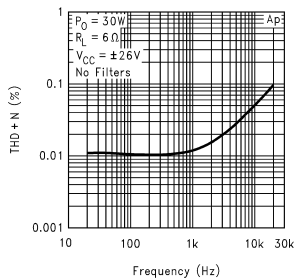
## External Components Description

Components		Functional Description
1	R <sub>B</sub>	Prevents currents from entering the amplifier's non-inverting input which may be passed through to the load upon power down of the system due to the low input impedance of the circuitry when the undervoltage circuitry is off. This phenomenon occurs when the supply voltages are below 1.5V.
2	R <sub>i</sub>	Inverting input resistance to provide AC gain in conjunction with R <sub>f</sub> .
3	R <sub>f</sub>	Feedback resistance to provide AC gain in conjunction with R <sub>i</sub> .
4	C <sub>i</sub> (Note 13)	Feedback capacitor which ensures unity gain at DC. Also creates a highpass filter with R <sub>f</sub> at $f_C = 1/(2\pi R_f C_i)$ .
5	C <sub>S</sub>	Provides power supply filtering and bypassing. Refer to the Supply Bypassing application section for proper placement and selection of bypass capacitors.
6	R <sub>V</sub> (Note 13)	Acts as a volume control by setting the input voltage level.
7	R <sub>IN</sub> (Note 13)	Sets the amplifier's input terminals DC bias point when C <sub>IN</sub> is present in the circuit. Also works with C <sub>IN</sub> to create a highpass filter at $f_C = 1/(2\pi R_{IN} C_{IN})$ . Refer to <i>Figure 4</i> .
8	C <sub>IN</sub> (Note 13)	Input capacitor which blocks the input signal's DC offsets from being passed onto the amplifier's inputs.
9	R <sub>SN</sub> (Note 13)	Works with C <sub>SN</sub> to stabilize the output stage by creating a pole that reduces high frequency instabilities.
10	C <sub>SN</sub> (Note 13)	Works with R <sub>SN</sub> to stabilize the output stage by creating a pole that reduces high frequency instabilities. The pole is set at $f_C = 1/(2\pi R_{SN} C_{SN})$ . Refer to <i>Figure 4</i> .
11	L (Note 13)	Provides high impedance at high frequencies so that R may decouple a highly capacitive load and reduce the Q of the series resonant circuit. Also provides a low impedance at low frequencies to short out R and pass audio signals to the load. Refer to <i>Figure 4</i> .
12	R (Note 13)	Provides high impedance at high frequencies so that R may decouple a highly capacitive load and reduce the Q of the series resonant circuit. Also provides a low impedance at low frequencies to short out R and pass audio signals to the load. Refer to <i>Figure 4</i> .
13	R <sub>A</sub>	Provides DC voltage biasing for the transistor Q1 in single supply operation.
14	C <sub>A</sub>	Provides bias filtering for single supply operation.
15	R <sub>INP</sub> (Note 13)	Limits the voltage difference between the amplifier's inputs for single supply operation. Refer to the <b>Clicks and Pops</b> application section for a more detailed explanation of the function of R <sub>INP</sub> .
16	R <sub>BI</sub>	Provides input bias current for single supply operation. Refer to the <b>Clicks and Pops</b> application section for a more detailed explanation of the function of R <sub>BI</sub> .
17	R <sub>E</sub>	Establishes a fixed DC current for the transistor Q1 in single supply operation. This resistor stabilizes the half-supply point along with C <sub>A</sub> .
18	R <sub>M</sub>	Mute resistance set up to allow 0.5 mA to be drawn from pin 6 or 11 to turn the muting function off. → R <sub>M</sub> is calculated using: $R_M \leq ( V_{EE}  - 2.6V)/I$ where $I \geq 0.5$ mA. Refer to the Mute Attenuation vs Mute Current curves in the Typical Performance Characteristics section.
19	C <sub>M</sub>	Mute capacitance set up to create a large time constant for turn-on and turn-off muting.
20	S <sub>1</sub>	Mute switch that mutes the music going into the amplifier when opened.

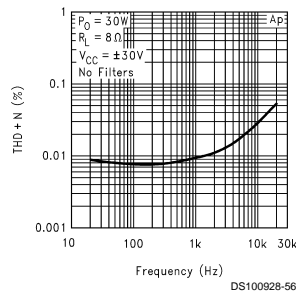
Note 13: Optional components dependent upon specific design requirements.

## Typical Performance Characteristics

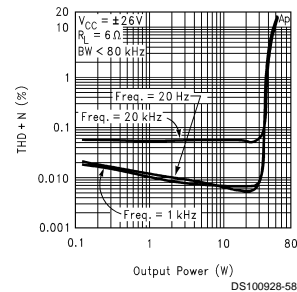
THD + N vs Frequency



THD + N vs Frequency

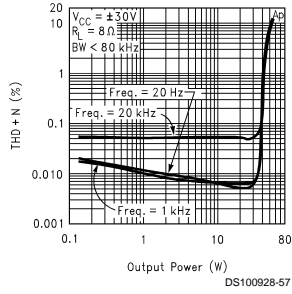


THD + N vs Output Power

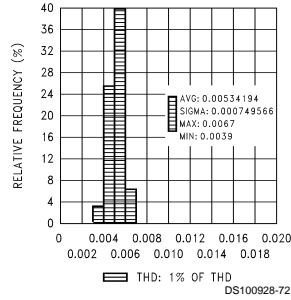


## Typical Performance Characteristics (Continued)

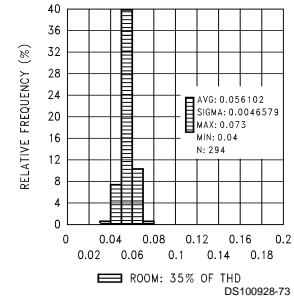
**THD + N vs Output Power**



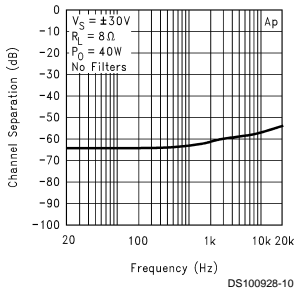
**THD + N vs Distribution**



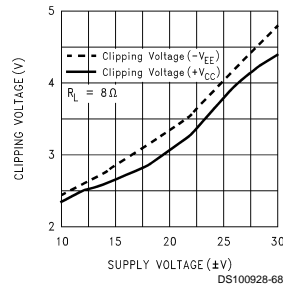
**THD + N vs Distribution**



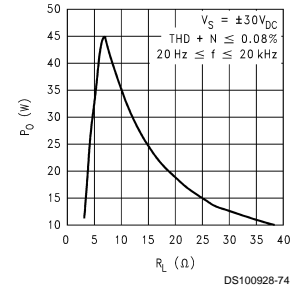
**Channel Separation vs Frequency**



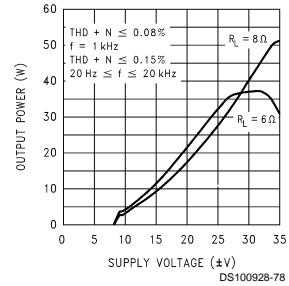
**Clipping Voltage vs Supply Voltage**



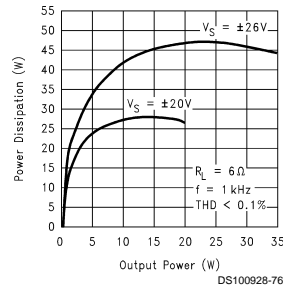
**Output Power vs Load Resistance**



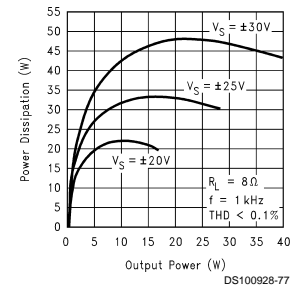
**Output Power vs Supply Voltage**



**Power Dissipation vs Output Power**



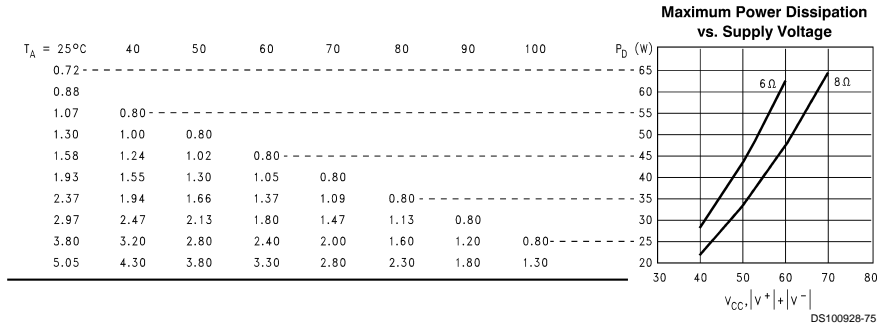
**Power Dissipation vs Output Power**





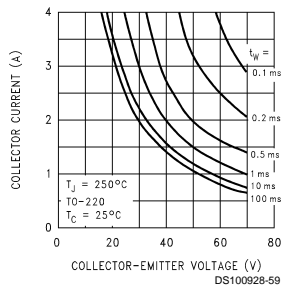
## Typical Performance Characteristics (Continued)

Max Heatsink Thermal Resistance ( $^{\circ}\text{C}/\text{W}$ )  
at the Specified Ambient Temperature ( $^{\circ}\text{C}$ )

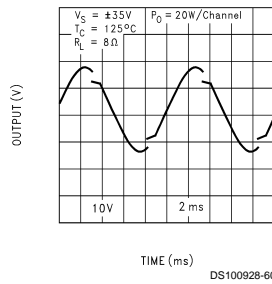


Note: The maximum heatsink thermal resistance values,  $\theta_{SA}$ , in the table above were calculated using a  $\theta_{CS} = 0.2^{\circ}\text{C}/\text{W}$  due to thermal compound.

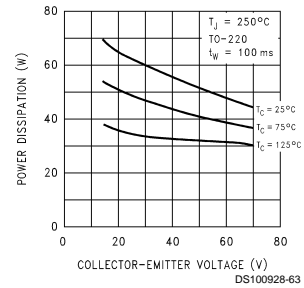
### Safe Area



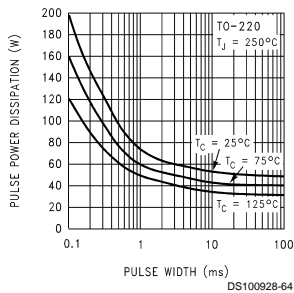
### SPIke Protection Response



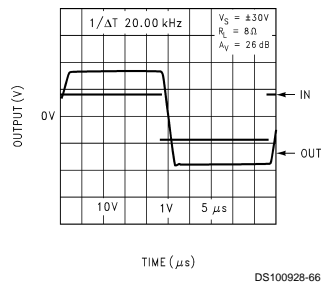
### Pulse Power Limit



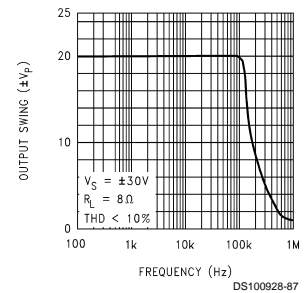
### Pulse Power Limit



### Pulse Response

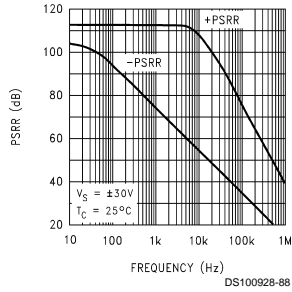


### Large Signal Response

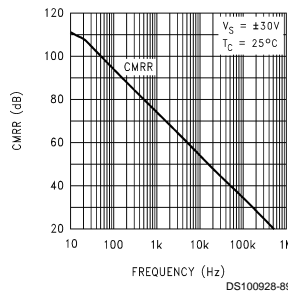


## Typical Performance Characteristics (Continued)

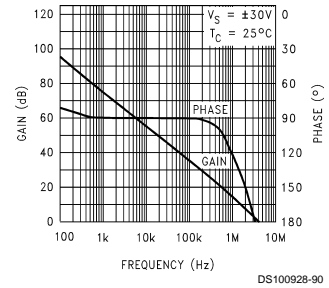
**Power Supply Rejection Ratio**



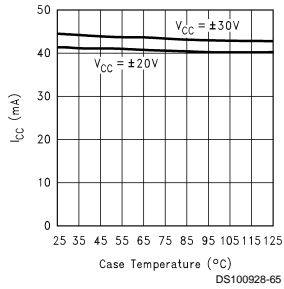
**Common-Mode Rejection Ratio**



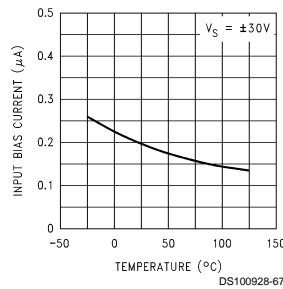
**Open Loop Frequency Response**



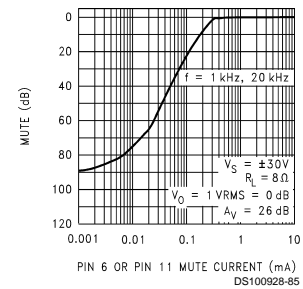
**Supply Current vs Case Temperature**



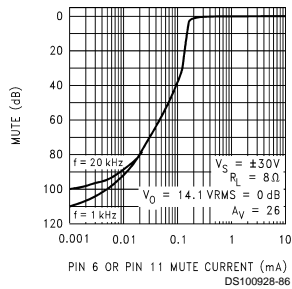
**Input Bias Current vs Case Temperature**



**Mute Attenuation vs Mute Current (per Amplifier)**



**Mute Attenuation vs Mute Current (per Amplifier)**



## Application Information

### MUTE MODE

The muting function of the LM4766 allows the user to mute the music going into the amplifier by drawing more than 0.5 mA out of each mute pin on the device. This is accomplished as shown in the Typical Application Circuit where the resistor  $R_M$  is chosen with reference to your negative supply voltage and is used in conjunction with a switch. The switch when opened cuts off the current flow from pin 6 or 11 to  $-V_{EE}$ , thus placing the LM4766 into mute mode. Refer to the Mute Attenuation vs Mute Current curves in the **Typical Performance**

**Characteristics** section for values of attenuation per current out of pins 6 or 11. The resistance  $R_M$  is calculated by the following equation:

$$R_M \leq (|-V_{EE}| - 2.6V)/I_{pin6}$$

where  $I_{pin6} = I_{pin11} \geq 0.5$  mA.

Both pins 6 and 11 can be tied together so that only one resistor and capacitor are required for the mute function. The mute resistance must be chosen such that greater than 1 mA is pulled through the resistor  $R_M$  so that each amplifier is fully

## Application Information (Continued)

pulled out of mute mode. Taking into account supply line fluctuations, it is a good idea to pull out 1 mA per mute pin or 2 mA total if both pins are tied together.

### UNDER-VOLTAGE PROTECTION

Upon system power-up, the under-voltage protection circuitry allows the power supplies and their corresponding capacitors to come up close to their full values before turning on the LM4766 such that no DC output spikes occur. Upon turn-off, the output of the LM4766 is brought to ground before the power supplies such that no transients occur at power-down.

### OVER-VOLTAGE PROTECTION

The LM4766 contains over-voltage protection circuitry that limits the output current to approximately 4.0 Apk while also providing voltage clamping, though not through internal clamping diodes. The clamping effect is quite the same, however, the output transistors are designed to work alternately by sinking large current spikes.

### SPIKE PROTECTION

The LM4766 is protected from instantaneous peak-temperature stressing of the power transistor array. The Safe Operating graph in the **Typical Performance Characteristics** section shows the area of device operation where SPIKE Protection Circuitry is not enabled. The waveform to the right of the SOA graph exemplifies how the dynamic protection will cause waveform distortion when enabled. Please refer to AN-898 for more detailed information.

### THERMAL PROTECTION

The LM4766 has a sophisticated thermal protection scheme to prevent long-term thermal stress of the device. When the temperature on the die reaches 165°C, the LM4766 shuts down. It starts operating again when the die temperature drops to about 155°C, but if the temperature again begins to rise, shutdown will occur again at 165°C. Therefore, the device is allowed to heat up to a relatively high temperature if the fault condition is temporary, but a sustained fault will cause the device to cycle in a Schmitt Trigger fashion between the thermal shutdown temperature limits of 165°C and 155°C. This greatly reduces the stress imposed on the IC by thermal cycling, which in turn improves its reliability under sustained fault conditions.

Since the die temperature is directly dependent upon the heat sink used, the heat sink should be chosen such that thermal shutdown will not be reached during normal operation. Using the best heat sink possible within the cost and space constraints of the system will improve the long-term reliability of any power semiconductor device, as discussed in the **Determining the Correct Heat Sink** Section.

### DETERMINING MAXIMUM POWER DISSIPATION

Power dissipation within the integrated circuit package is a very important parameter requiring a thorough understanding if optimum power output is to be obtained. An incorrect maximum power dissipation calculation may result in inadequate heat sinking causing thermal shutdown and thus limiting the output power.

Equation (1) exemplifies the theoretical maximum power dissipation point of each amplifier where  $V_{CC}$  is the total supply voltage.

$$P_{DMAX} = V_{CC}^2/2\pi^2R_L \quad (1)$$

Thus by knowing the total supply voltage and rated output load, the maximum power dissipation point can be calculated. The package dissipation is twice the number which results from Equation (1) since there are two amplifiers in each LM4766. Refer to the graphs of Power Dissipation versus Output Power in the **Typical Performance Characteristics** section which show the actual full range of power dissipation not just the maximum theoretical point that results from Equation (1).

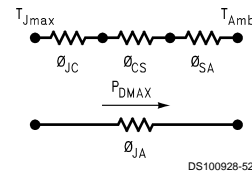
### DETERMINING THE CORRECT HEAT SINK

The choice of a heat sink for a high-power audio amplifier is made entirely to keep the die temperature at a level such that the thermal protection circuitry does not operate under normal circumstances.

The thermal resistance from the die (junction) to the outside air (ambient) is a combination of three thermal resistances,  $\theta_{JC}$ ,  $\theta_{CS}$ , and  $\theta_{SA}$ . In addition, the thermal resistance,  $\theta_{JC}$  (junction to case), of the LM4766T is 1°C/W. Using Thermalloy Thermacote thermal compound, the thermal resistance,  $\theta_{CS}$  (case to sink), is about 0.2°C/W. Since convection heat flow (power dissipation) is analogous to current flow, thermal resistance is analogous to electrical resistance, and temperature drops are analogous to voltage drops, the power dissipation out of the LM4766 is equal to the following:

$$P_{DMAX} = (T_{JMAX} - T_{AMB})/\theta_{JA} \quad (2)$$

where  $T_{JMAX} = 150^\circ\text{C}$ ,  $T_{AMB}$  is the system ambient temperature and  $\theta_{JA} = \theta_{JC} + \theta_{CS} + \theta_{SA}$ .



Once the maximum package power dissipation has been calculated using Equation (1), the maximum thermal resistance,  $\theta_{SA}$ , (heat sink to ambient) in °C/W for a heat sink can be calculated. This calculation is made using Equation (3) which is derived by solving for  $\theta_{SA}$  in Equation (2).

$$\theta_{SA} = [(T_{JMAX} - T_{AMB}) - P_{DMAX}(\theta_{JC} + \theta_{CS})]/P_{DMAX} \quad (3)$$

Again it must be noted that the value of  $\theta_{SA}$  is dependent upon the system designer's amplifier requirements. If the ambient temperature that the audio amplifier is to be working under is higher than 25°C, then the thermal resistance for the heat sink, given all other things are equal, will need to be smaller.

### SUPPLY BYPASSING

The LM4766 has excellent power supply rejection and does not require a regulated supply. However, to improve system performance as well as eliminate possible oscillations, the LM4766 should have its supply leads bypassed with low-inductance capacitors having short leads that are located close to the package terminals. Inadequate power supply bypassing will manifest itself by a low frequency oscillation known as "motorboating" or by high frequency instabilities. These instabilities can be eliminated through multiple bypassing utilizing a large tantalum or electrolytic capacitor (10 µF or larger) which is used to absorb low frequency variations and a small ceramic capacitor (0.1 µF) to prevent any high frequency feedback through the power supply lines.

## Application Information (Continued)

If adequate bypassing is not provided, the current in the supply leads which is a rectified component of the load current may be fed back into internal circuitry. This signal causes distortion at high frequencies requiring that the supplies be bypassed at the package terminals with an electrolytic capacitor of 470  $\mu\text{F}$  or more.

### BRIDGED AMPLIFIER APPLICATION

The LM4766 has two operational amplifiers internally, allowing for a few different amplifier configurations. One of these configurations is referred to as "bridged mode" and involves driving the load differentially through the LM4766's outputs. This configuration is shown in *Figure 2*. Bridged mode operation is different from the classical single-ended amplifier configuration where one side of its load is connected to ground.

A bridge amplifier design has a distinct advantage over the single-ended configuration, as it provides differential drive to the load, thus doubling output swing for a specified supply voltage. Consequently, theoretically four times the output power is possible as compared to a single-ended amplifier under the same conditions. This increase in attainable output power assumes that the amplifier is not current limited or clipped.

A direct consequence of the increased power delivered to the load by a bridge amplifier is an increase in internal power dissipation. For each operational amplifier in a bridge configuration, the internal power dissipation will increase by a factor of two over the single ended dissipation. Thus, for an audio power amplifier such as the LM4766, which has two operational amplifiers in one package, the package dissipation will increase by a factor of four. To calculate the LM4766's maximum power dissipation point for a bridged load, multiply *Equation (1)* by a factor of four.

This value of  $P_{\text{DMAX}}$  can be used to calculate the correct size heat sink for a bridged amplifier application. Since the internal dissipation for a given power supply and load is increased by using bridged-mode, the heatsink's  $\theta_{\text{SA}}$  will have to decrease accordingly as shown by *Equation (3)*. Refer to the section, **Determining the Correct Heat Sink**, for a more detailed discussion of proper heat sinking for a given application.

### SINGLE-SUPPLY AMPLIFIER APPLICATION

The typical application of the LM4766 is a split supply amplifier. But as shown in *Figure 3*, the LM4766 can also be used in a single power supply configuration. This involves using some external components to create a half-supply bias which is used as the reference for the inputs and outputs. Thus, the signal will swing around half-supply much like it swings around ground in a split-supply application. Along with proper circuit biasing, a few other considerations must be accounted for to take advantage of all of the LM4766 functions, like the mute function.

### CLICKS AND POPS

In the typical application of the LM4766 as a split-supply audio power amplifier, the IC exhibits excellent "click" and "pop" performance when utilizing the mute and standby modes. In addition, the device employs Under-Voltage Protection, which eliminates unwanted power-up and power-down transients. The basis for these functions are a stable and constant half-supply potential. In a split-supply application, ground is the stable half-supply potential. But in a

single-supply application, the half-supply needs to charge up just like the supply rail,  $V_{\text{CC}}$ . This makes the task of attaining a clickless and popless turn-on more challenging. Any uneven charging of the amplifier inputs will result in output clicks and pops due to the differential input topology of the LM4766.

To achieve a transient free power-up and power-down, the voltage seen at the input terminals should be ideally the same. Such a signal will be common-mode in nature, and will be rejected by the LM4766. In *Figure 3*, the resistor  $R_{\text{INP}}$  serves to keep the inputs at the same potential by limiting the voltage difference possible between the two nodes. This should significantly reduce any type of turn-on pop, due to an uneven charging of the amplifier inputs. This charging is based on a specific application loading and thus, the system designer may need to adjust these values for optimal performance.

As shown in *Figure 3*, the resistors labeled  $R_{\text{BI}}$  help bias up the LM4766 off the half-supply node at the emitter of the 2N3904. But due to the input and output coupling capacitors in the circuit, along with the negative feedback, there are two different values of  $R_{\text{BI}}$ , namely 10  $\text{k}\Omega$  and 200  $\text{k}\Omega$ . These resistors bring up the inputs at the same rate resulting in a popless turn-on. Adjusting these resistors values slightly may reduce pops resulting from power supplies that ramp extremely quick or exhibit overshoot during system turn-on.

### AUDIO POWER AMPLIFIER DESIGN

#### Design a 30W/8 $\Omega$ Audio Amplifier

Given:

Power Output	30 Wrms
Load Impedance	8 $\Omega$
Input Level	1 Vrms(max)
Input Impedance	47 $\text{k}\Omega$
Bandwidth	20 Hz–20 kHz $\pm 0.25$ dB

A designer must first determine the power supply requirements in terms of both voltage and current needed to obtain the specified output power.  $V_{\text{OPEAK}}$  can be determined from *Equation (4)* and  $I_{\text{OPEAK}}$  from *Equation (5)*.

$$V_{\text{OPEAK}} = \sqrt{(2R_L P_O)} \quad (4)$$

$$I_{\text{OPEAK}} = \sqrt{(2P_O)/R_L} \quad (5)$$

To determine the maximum supply voltage the following conditions must be considered. Add the dropout voltage to the peak output swing  $V_{\text{OPEAK}}$ , to get the supply rail at a current of  $I_{\text{OPEAK}}$ . The regulation of the supply determines the unloaded voltage which is usually about 15% higher. The supply voltage will also rise 10% during high line conditions. Therefore the maximum supply voltage is obtained from the following equation.

$$\text{Max supplies} \approx \pm (V_{\text{OPEAK}} + V_{\text{OD}}) (1 + \text{regulation}) \quad (1.1)$$

For 30W of output power into an 8 $\Omega$  load, the required  $V_{\text{OPEAK}}$  is 21.91V. A minimum supply rail of 25.4V results from adding  $V_{\text{OPEAK}}$  and  $V_{\text{OD}}$ . With regulation, the maximum supplies are  $\pm 32\text{V}$  and the required  $I_{\text{OPEAK}}$  is 2.74A from *Equation (5)*. It should be noted that for a dual 30W amplifier into an 8 $\Omega$  load the  $I_{\text{OPEAK}}$  drawn from the supplies is twice 2.74 Apk or 5.48 Apk. At this point it is a good idea to check the Power Output vs Supply Voltage to ensure that the required output power is obtainable from the device while maintaining low THD+N. In addition, the designer should

### Application Information (Continued)

verify that with the required power supply voltage and load impedance, that the required heatsink value  $\theta_{SA}$  is feasible given system cost and size constraints. Once the heatsink issues have been addressed, the required gain can be determined from Equation (6).

$$A_V \geq \sqrt{(P_{ORL}) / (V_{IN})} = V_{ORMS} / V_{INRMS} \quad (6)$$

From Equation (6), the minimum  $A_V$  is:  $A_V \geq 15.5$ .

By selecting a gain of 21, and with a feedback resistor,  $R_f = 20 \text{ k}\Omega$ , the value of  $R_i$  follows from Equation (7).

$$R_i = R_f (A_V - 1) \quad (7)$$

Thus with  $R_f = 1 \text{ k}\Omega$  a non-inverting gain of 21 will result. Since the desired input impedance was  $47 \text{ k}\Omega$ , a value of  $47 \text{ k}\Omega$  was selected for  $R_{IN}$ . The final design step is to ad-

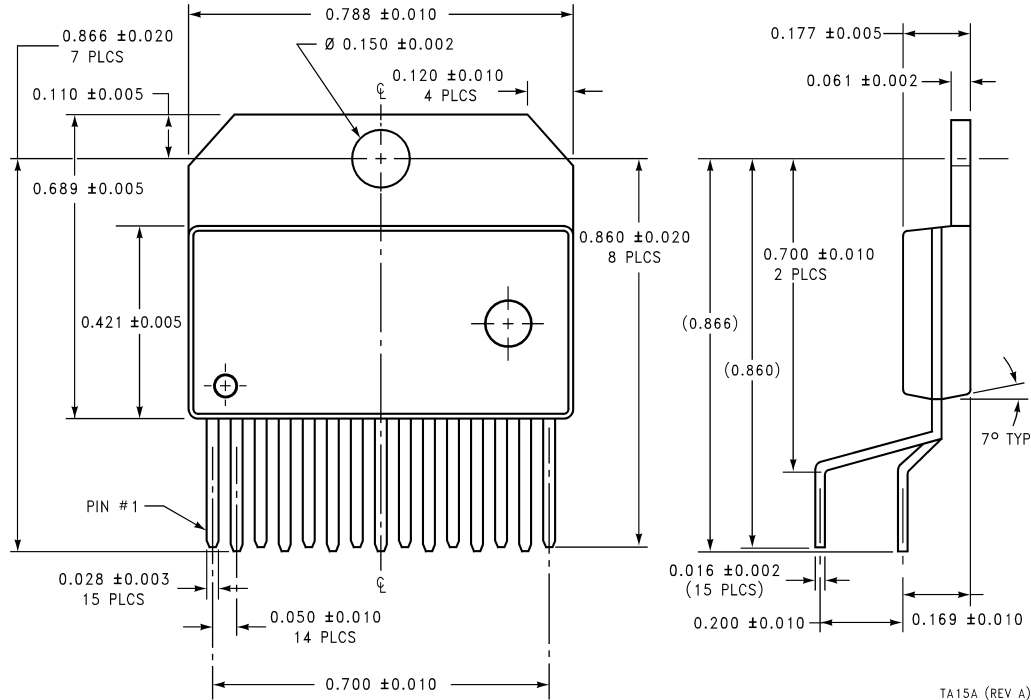
dress the bandwidth requirements which must be stated as a pair of  $-3 \text{ dB}$  frequency points. Five times away from a  $-3 \text{ dB}$  point is  $0.17 \text{ dB}$  down from passband response which is better than the required  $\pm 0.25 \text{ dB}$  specified. This fact results in a low and high frequency pole of  $4 \text{ Hz}$  and  $100 \text{ kHz}$  respectively. As stated in the **External Components** section,  $R_i$  in conjunction with  $C_i$  create a high-pass filter.

$$C_i \geq 1 / (2\pi * 1 \text{ k}\Omega * 4 \text{ Hz}) = 39.8 \text{ }\mu\text{F}; \quad \text{use } 39 \text{ }\mu\text{F}.$$

The high frequency pole is determined by the product of the desired high frequency pole,  $f_H$ , and the gain,  $A_V$ . With a  $A_V = 21$  and  $f_H = 100 \text{ kHz}$ , the resulting GBWP is  $2.1 \text{ MHz}$ , which is less than the guaranteed minimum GBWP of the LM4766 of  $8 \text{ MHz}$ . This will ensure that the high frequency response of the amplifier will be no worse than  $0.17 \text{ dB}$  down at  $20 \text{ kHz}$  which is well within the bandwidth requirements of the design.

**LM4766 Overture™ Audio Power Amplifier Series  
Dual 40W Audio Power Amplifier with Mute**

**Physical Dimensions** inches (millimeters) unless otherwise noted



**Non-Isolated TO-220 15-Lead Package  
Order Number LM4766T  
NS Package Number TA15A**

TA15A (REV A)

**LIFE SUPPORT POLICY**

NATIONAL'S PRODUCTS ARE NOT AUTHORIZED FOR USE AS CRITICAL COMPONENTS IN LIFE SUPPORT DEVICES OR SYSTEMS WITHOUT THE EXPRESS WRITTEN APPROVAL OF THE PRESIDENT AND GENERAL COUNSEL OF NATIONAL SEMICONDUCTOR CORPORATION. As used herein:

1. Life support devices or systems are devices or systems which, (a) are intended for surgical implant into the body, or (b) support or sustain life, and whose failure to perform when properly used in accordance with instructions for use provided in the labeling, can be reasonably expected to result in a significant injury to the user.
2. A critical component is any component of a life support device or system whose failure to perform can be reasonably expected to cause the failure of the life support device or system, or to affect its safety or effectiveness.



**National Semiconductor Corporation**  
Americas  
Tel: 1-800-272-9959  
Fax: 1-800-737-7018  
Email: support@nsc.com

www.national.com

**National Semiconductor Europe**

Fax: +49 (0) 1 80-530 85 86  
Email: europe.support@nsc.com  
Deutsch Tel: +49 (0) 1 80-530 85 85  
English Tel: +49 (0) 1 80-532 78 32  
Français Tel: +49 (0) 1 80-532 93 58  
Italiano Tel: +49 (0) 1 80-534 16 80

**National Semiconductor Asia Pacific Customer Response Group**

Tel: 65-2544466  
Fax: 65-2504466  
Email: sea.support@nsc.com

**National Semiconductor Japan Ltd.**

Tel: 81-3-5639-7560  
Fax: 81-3-5639-7507