

# LMK03200 Family

## Precision 0-Delay Clock Conditioner with Integrated VCO

### General Description

The LMK03200 family of precision clock conditioners combine the functions of jitter cleaning/reconditioning, multiplication, and 0-delay distribution of a reference clock. The devices integrate a Voltage Controlled Oscillator (VCO), a high performance Integer-N Phase Locked Loop (PLL), a partially integrated loop filter, and up to eight outputs in various LVDS and LVPECL combinations.

The VCO output is optionally accessible on the Fout port. Internally, the VCO output goes through a VCO divider to feed the various clock distribution blocks.

Each clock distribution block includes a programmable divider, a phase synchronization circuit, a programmable delay, a clock output mux, and an LVDS or LVPECL output buffer. The PLL also features delay blocks to permit global phase adjustment of clock output phase. This allows multiple integer-related and phase-adjusted copies of the reference to be distributed to eight system components.

The clock conditioners come in a 48-pin LLP package and are footprint compatible with other clocking devices in the same family.

### Target Applications

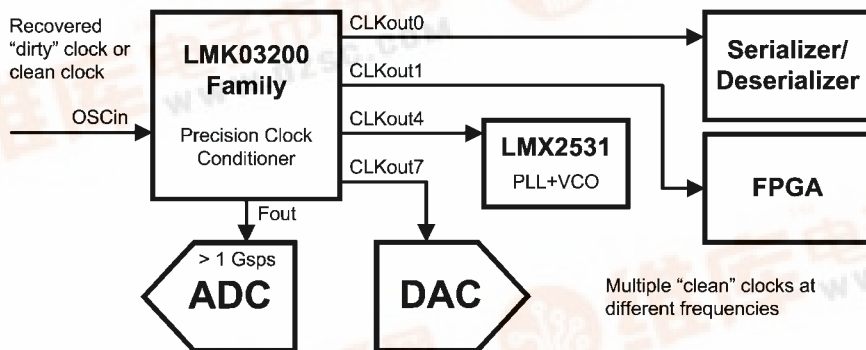
- Data Converter Clocking
- Networking, SONET/SDH, DSLAM
- Wireless Infrastructure
- Medical
- Test and Measurement
- Military / Aerospace

### Features

- Integrated VCO with very low phase noise floor
- Integrated Integer-N PLL with outstanding normalized phase noise contribution of -224 dBc/Hz
- VCO divider values of 2 to 8 (all divides)
  - Bypassable with VCO Mux when not in 0-delay mode
- Channel divider values of 1, 2 to 510 (even divides)
- LVDS and LVPECL clock outputs
- Partially integrated loop filter
- Dedicated divider and delay blocks on each clock output
- 0-delay outputs
- Internal or external feedback of output clock
- Delay blocks on N and R phase detector inputs for lead/lag global skew adjust
- Pin compatible family of clocking devices
- 3.15 to 3.45 V operation
- Package: 48 pin LLP (7.0 x 7.0 x 0.8 mm)
- 200 fs RMS Clock generator performance (10 Hz to 20 MHz) with a clean input clock

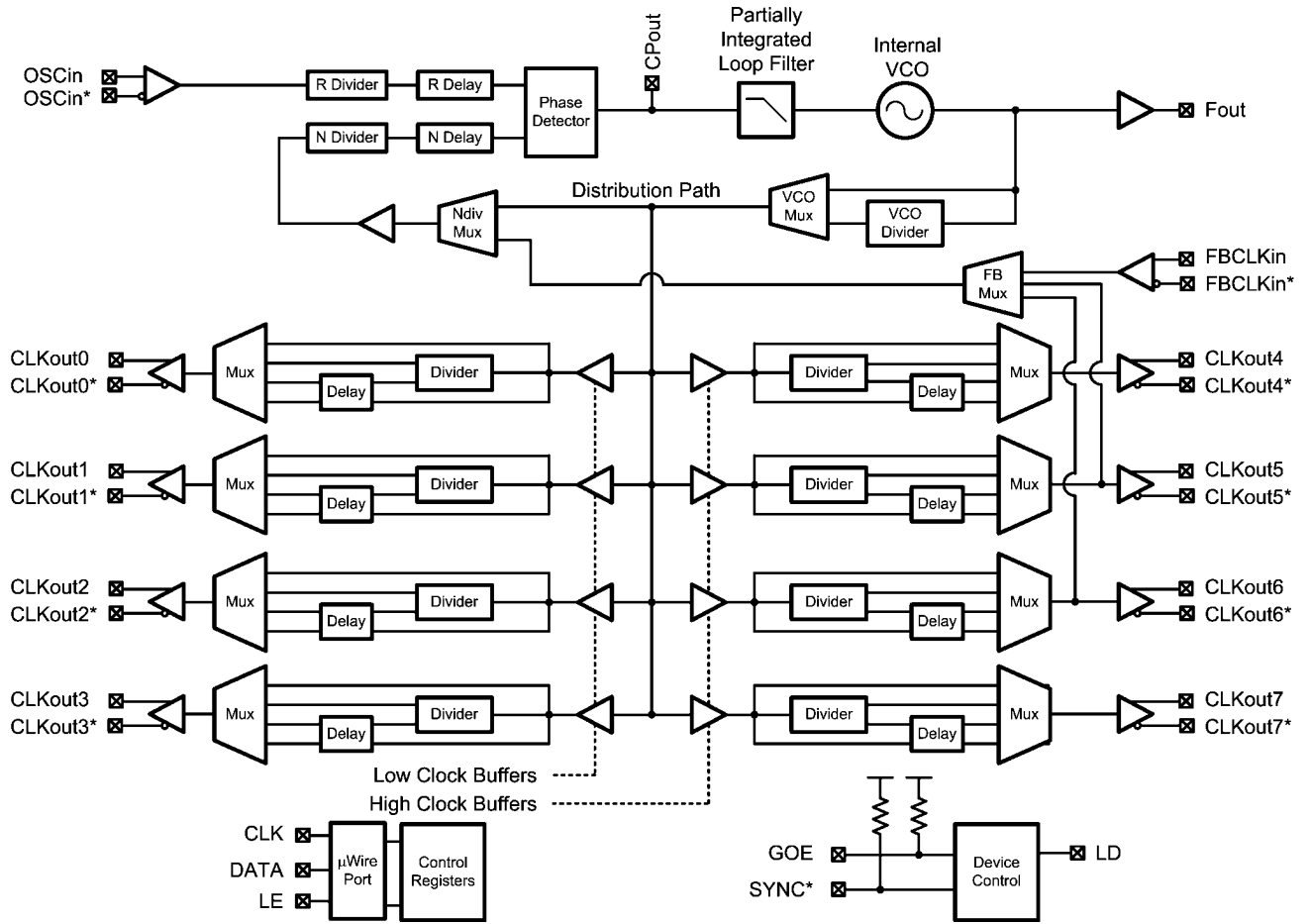
| Device   | Outputs            | VCO                |                 |
|----------|--------------------|--------------------|-----------------|
|          |                    | Tuning Range (MHz) | RMS Jitter (fs) |
| LMK03200 | 3 LVDS<br>5 LVPECL | 1185 - 1296        | 800             |

### System Diagram



# Functional Block Diagram

查询"LMK03200"供应商



30088701

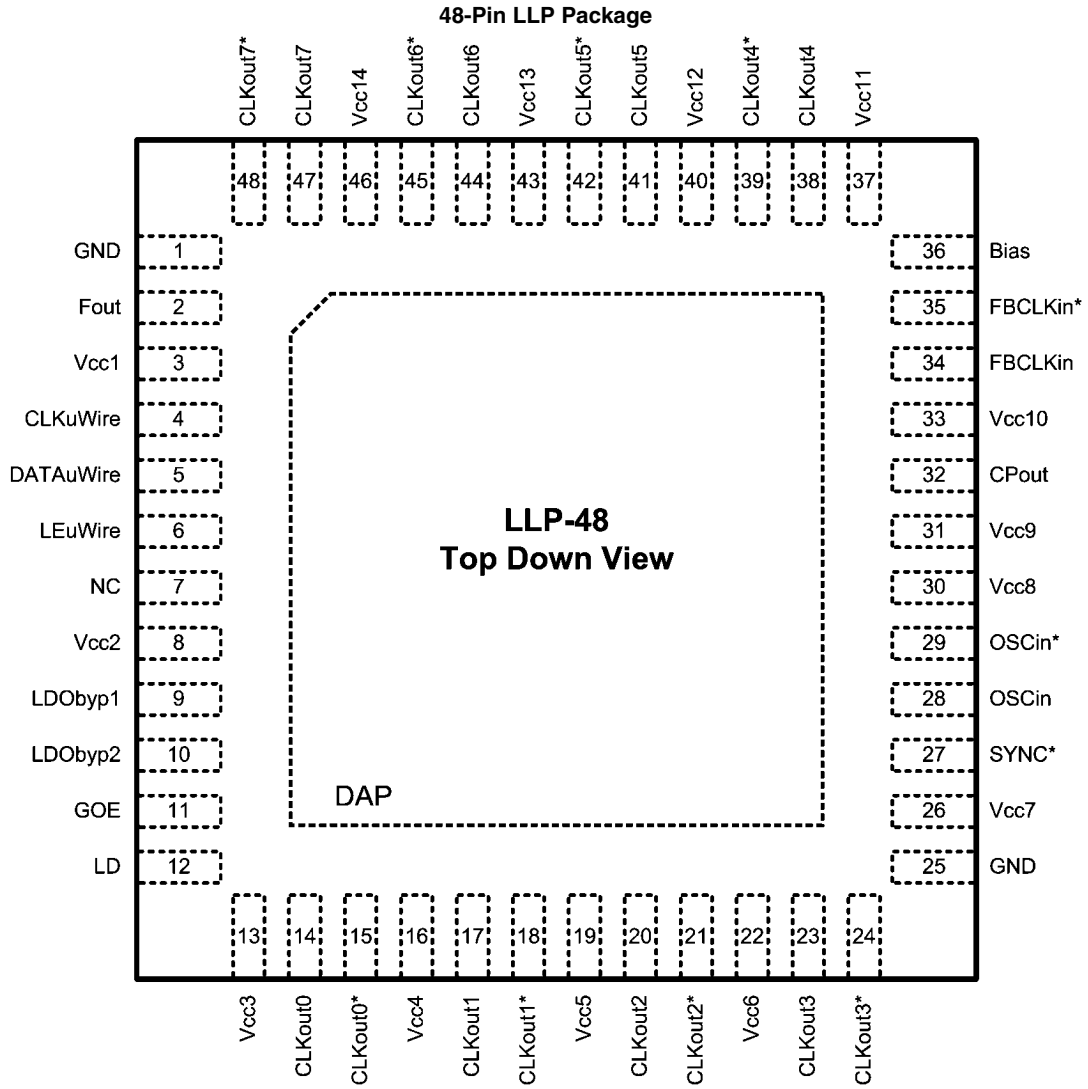
## Table of Contents

|   |    |
|---|----|
| <a href="#">查询"LMK03200"供应商</a>   | 1  |
| General Description .....   | 1  |
| Target Applications .....   | 1  |
| Features .....  | 1  |
| System Diagram .....  | 1  |
| Functional Block Diagram .....  | 2  |
| Connection Diagram .....  | 5  |
| Pin Descriptions .....  | 6  |
| Absolute Maximum Ratings .....  | 7  |
| Recommended Operating Conditions .....  | 7  |
| Package Thermal Resistance .....  | 7  |
| Electrical Characteristics .....  | 8  |
| Serial Data Timing Diagram .....  | 11 |
| Charge Pump Current Specification Definitions .....                                   | 12 |
| Typical Performance Characteristics .....   | 13 |
| 1.0 Functional Description .....  | 14 |
| 1.1 BIAS PIN .....  | 14 |
| 1.2 LDO BYPASS .....  | 14 |
| 1.3 OSCILLATOR INPUT PORT (OSC <sub>in</sub> , OSC <sub>in</sub> *) .....             | 14 |
| 1.4 LOW NOISE, FULLY INTEGRATED VCO .....   | 14 |
| 1.5 LVDS/LVPECL OUTPUTS .....   | 14 |
| 1.6 GLOBAL CLOCK OUTPUT SYNCHRONIZATION .....   | 15 |
| 1.7 CLK <sub>out</sub> OUTPUT STATES .....  | 15 |
| 1.8 GLOBAL OUTPUT ENABLE AND LOCK DETECT .....  | 15 |
| 1.9 POWER ON RESET .....  | 15 |
| 1.10 DIGITAL LOCK DETECT .....  | 16 |
| 1.11 CLK <sub>out</sub> DELAYS .....  | 16 |
| 1.12 GLOBAL DELAYS .....  | 17 |
| 1.13 VCO DIVIDER BYPASS MODE .....  | 17 |
| 1.14 0-DELAY MODE .....   | 17 |
| 2.0 General Programming Information .....   | 18 |
| 2.1 Recommended Programming Sequence, without 0-Delay Mode .....                      | 18 |
| 2.2 Recommended Programming Sequence, with 0-Delay Mode .....                         | 18 |
| 2.2.1 0-Delay Mode Example 1 .....  | 19 |
| 2.2.2 0-Delay Mode Example 2 .....  | 19 |
| 2.3 Recommended Programming Sequence, bypassing VCO divider .....                     | 20 |
| 2.3.1 VCO divider bypass example .....  | 20 |
| 2.4 Register R0 to R7 .....   | 24 |
| 2.4.1 Reset bit -- Reset device to power on defaults .....                            | 24 |
| 2.4.2 DLD_MODE2 bit -- Digital Lock Detect Mode 2 .....                               | 24 |
| 2.4.3 0_DELAY_MODE bit -- Activate 0-Delay Mode .....                                 | 25 |
| 2.4.4 FB_MUX [1:0] -- Feedback Mux .....  | 25 |
| 2.4.5 VCO_MUX [1:0] -- VCO Mux .....  | 25 |
| 2.4.6 CLK <sub>out</sub> X_MUX [1:0] -- Clock Output Multiplexers .....               | 25 |
| 2.4.7 CLK <sub>out</sub> X_DIV [7:0] -- Clock Output Dividers .....                   | 26 |
| 2.4.8 CLK <sub>out</sub> X_DLY [3:0] -- Clock Output Delays .....                     | 26 |
| 2.4.9 CLK <sub>out</sub> X_EN bit -- Clock Output Enables .....                       | 26 |
| 2.5 Register R8 .....   | 26 |
| 2.6 Register R9 .....   | 26 |
| 2.6.1 Vboost bit -- Voltage Boost .....   | 26 |
| 2.7 Register R11 .....  | 27 |
| 2.7.1 DIV4 -- High Phase Detector Frequencies and Lock Detect .....                   | 27 |
| 2.8 Register R13 .....  | 27 |
| 2.8.1 VCO_C3_C4_LF [3:0] -- Value for Internal Loop Filter Capacitors C3 and C4 ..... | 27 |
| 2.8.2 VCO_R3_LF [2:0] -- Value for Internal Loop Filter Resistor R3 .....             | 27 |
| 2.8.3 VCO_R4_LF [2:0] -- Value for Internal Loop Filter Resistor R4 .....             | 27 |
| 2.8.4 OSC <sub>in</sub> _FREQ [7:0] -- Oscillator Input Calibration Adjustment .....  | 27 |
| 2.9 Register R14 .....  | 27 |
| 2.9.1 PLL_R [11:0] -- R Divider Value .....   | 27 |
| 2.9.2 PLL_MUX[3:0] -- Multiplexer Control for LD Pin .....                            | 28 |
| 2.9.3 POWERDOWN bit -- Device Power Down .....  | 28 |
| 2.9.4 EN_CLK <sub>out</sub> _Global bit -- Global Clock Output Enable .....           | 28 |
| 2.9.5 EN_Fout bit -- Fout port enable .....   | 28 |
| 2.9.6 PLL_R_DLY [3:0] - Global Skew Adjust, Lag .....                                 | 28 |
| 2.10 REGISTER R15 .....   | 28 |

|  |    |
|--|----|
| 2.10.1 PLL_N [17:0] -- PLL N Divider .....                       | 28 |
| 2.10.2 VCO_DIV [3:0] -- VCO Divider .....                        | 29 |
| 2.10.3 PLL_CP_GAIN [1:0] -- PLL Charge Pump Gain .....           | 29 |
| 2.10.4 PLL_N_DLY [3:0] - Global Skew Adjust, Lead .....          | 30 |
| 3.0 Application Information .....                                | 31 |
| 3.1 SYSTEM LEVEL DIAGRAM .....                                   | 31 |
| 3.2 BIAS PIN .....   | 31 |
| 3.3 LDO BYPASS .....   | 31 |
| 3.4 LOOP FILTER .....  | 32 |
| 3.5 CURRENT CONSUMPTION / POWER DISSIPATION CALCULATIONS .....   | 33 |
| 3.6 THERMAL MANAGEMENT .....                                     | 34 |
| 3.7 TERMINATION AND USE OF CLOCK OUTPUTS (DRIVERS) .....         | 34 |
| 3.7.1 Termination for DC Coupled Differential Operation .....    | 34 |
| 3.7.2 Termination for AC Coupled Differential Operation .....    | 35 |
| 3.7.3 Termination for Single-Ended Operation .....               | 36 |
| 3.7.4 Conversion to LVCMOS Outputs .....                         | 36 |
| 3.8 OSCin INPUT .....  | 36 |
| 3.9 MORE THAN EIGHT OUTPUTS WITH AN LMK03200 FAMILY DEVICE ..... | 37 |
| 3.10 DIFFERENTIAL VOLTAGE MEASUREMENT TERMINOLOGY .....          | 38 |
| Physical Dimensions .....  | 39 |
| Ordering Information .....                                       | 39 |

## List of Figures

|  |    |
|--|----|
| FIGURE 1. Frequency Calibration Routine Flowchart .....                          | 14 |
| FIGURE 2. SYNC* Timing Diagram .....   | 15 |
| FIGURE 3. Digital Lock Detect Flowchart .....                                    | 16 |
| FIGURE 4. Global Lead and Lag .....  | 17 |
| FIGURE 5. Outline of 0-delay mode programming sequence .....                     | 17 |
| FIGURE 6. Typical Application .....  | 31 |
| FIGURE 7. Loop Filter .....  | 32 |
| FIGURE 8. Differential LVDS Operation, DC Coupling .....                         | 34 |
| FIGURE 9. Differential LVPECL Operation, DC Coupling .....                       | 35 |
| FIGURE 10. Differential LVPECL Operation, DC Coupling, Thevenin Equivalent ..... | 35 |
| FIGURE 11. Differential LVDS Operation, AC Coupling .....                        | 35 |
| FIGURE 12. Differential LVPECL Operation, AC Coupling, Thevenin Equivalent ..... | 35 |
| FIGURE 13. Single-Ended LVPECL Operation, DC Coupling .....                      | 36 |
| FIGURE 14. Single-Ended LVPECL Operation, DC Coupling, Thevenin Equivalent ..... | 36 |
| FIGURE 15. Single-Ended LVPECL Operation, AC Coupling .....                      | 36 |
| FIGURE 16. Single-Ended Sine Wave Input .....                                    | 36 |
| FIGURE 17. Differential Sine Wave Input .....                                    | 37 |
| FIGURE 18. Recommended OSCin Power for Operation with a Sine Wave Input .....    | 37 |
| FIGURE 19. Two Different Definitions for Differential Input Signals .....        | 38 |
| FIGURE 20. Two Different Definitions for Differential Output Signals .....       | 38 |



30088702

## Pin Descriptions

[查询"LMK03200"供应商](#)

| Pin #  | Pin Name  | I/O | Description                                    |
|--|---|-----|--|
| 1, 25  | GND   | -   | Ground   |
| 2  | Fout  | O   | Internal VCO Frequency Output                  |
| 3, 8, 13, 16, 19, 22, 26, 30, 31, 33, 37, 40, 43, 46 | Vcc1, Vcc2, Vcc3, Vcc4, Vcc5, Vcc6, Vcc7, Vcc8, Vcc9, Vcc10, Vcc11, Vcc12, Vcc13, Vcc14 | -   | Power Supply                                   |
| 4  | CLKuWire  | I   | MICROWIRE Clock Input                          |
| 5  | DATAuWire   | I   | MICROWIRE Data Input                           |
| 6  | LEuWire   | I   | MICROWIRE Latch Enable Input                   |
| 7  | NC  | -   | No Connection to these pins                    |
| 9, 10  | LDObyp1, LDObyp2  | -   | LDO Bypass                                     |
| 11   | GOE   | I   | Global Output Enable                           |
| 12   | LD  | O   | Lock Detect and Test Output                    |
| 14, 15   | CLKout0, CLKout0*   | O   | LVDS Clock Output 0                            |
| 17, 18   | CLKout1, CLKout1*   | O   | LVDS Clock Output 1                            |
| 20, 21   | CLKout2, CLKout2*   | O   | LVDS Clock Output 2                            |
| 23, 24   | CLKout3, CLKout3*   | O   | LVPECL Clock Output 3                          |
| 27   | SYNC*   | I   | Global Clock Output Synchronization            |
| 28, 29   | OSCCin, OSCin*  | I   | Oscillator Clock Input; Should be AC coupled   |
| 32   | CPout   | O   | Charge Pump Output                             |
| 34, 35   | FBCLKin, FBCLKin*   | I   | External Feedback Clock Input for 0-delay mode |
| 36   | Bias  | I   | Bias Bypass                                    |
| 38, 39   | CLKout4, CLKout4*   | O   | LVPECL Clock Output 4                          |
| 41, 42   | CLKout5, CLKout5*   | O   | LVPECL Clock Output 5                          |
| 44, 45   | CLKout6, CLKout6*   | O   | LVPECL Clock Output 6                          |
| 47, 48   | CLKout7, CLKout7*   | O   | LVPECL Clock Output 7                          |
| DAP  | DAP   | -   | Die Attach Pad is Ground                       |

## Absolute Maximum Ratings (Notes 1, 2)

查询"LMK03200"供应商

If Military/Aerospace specified devices are required, please contact the National Semiconductor Sales Office/ Distributors for availability and specifications.

| Parameter                     | Symbol    | Ratings                    | Units |
|-------------------------------|-----------|----------------------------|-------|
| Power Supply Voltage          | $V_{CC}$  | -0.3 to 3.6                | V     |
| Input Voltage                 | $V_{IN}$  | -0.3 to ( $V_{CC} + 0.3$ ) | V     |
| Storage Temperature Range     | $T_{STG}$ | -65 to 150                 | °C    |
| Lead Temperature (solder 4 s) | $T_L$     | +260                       | °C    |
| Junction Temperature          | $T_J$     | 125                        | °C    |

## Recommended Operating Conditions

| Parameter            | Symbol   | Min  | Typ | Max  | Units |
|----------------------|----------|------|-----|------|-------|
| Ambient Temperature  | $T_A$    | -40  | 25  | 85   | °C    |
| Power Supply Voltage | $V_{CC}$ | 3.15 | 3.3 | 3.45 | V     |

**Note 1:** "Absolute Maximum Ratings" indicate limits beyond which damage to the device may occur, including inoperability and degradation of device reliability and/or performance. Functional operation of the device and/or non-degradation at the Absolute Maximum Ratings or other conditions beyond those indicated in the Recommended Operating Conditions is not implied. The Recommended Operating Conditions indicate conditions at which the device is functional and the device should not be operated beyond such conditions.

**Note 2:** This device is a high performance integrated circuit with ESD handling precautions. Handling of this device should only be done at ESD protected work stations. The device is rated to a HBM-ESD of > 2 kV, a MM-ESD of > 200 V, and a CDM-ESD of > 1.2 kV.

## Package Thermal Resistance

| Package                             | $\theta_{JA}$ | $\theta_{J-PAD}$ (Thermal Pad) |
|-------------------------------------|---------------|--------------------------------|
| 48-Lead LLP <small>(Note 3)</small> | 27.4° C/W     | 5.8° C/W                       |

**Note 3:** Specification assumes 16 thermal vias connect the die attach pad to the embedded copper plane on the 4-layer JEDEC board. These vias play a key role in improving the thermal performance of the LLP. It is recommended that the maximum number of vias be used in the board layout.

## Electrical Characteristics (Note 4)

查询"LMK03200"供应商

( $3.15\text{ V} \leq V_{CC} \leq 3.45\text{ V}$ ,  $-40^\circ\text{C} \leq T_A \leq 85^\circ\text{C}$ , Differential Inputs/Outputs; Vboost=0; except as specified. Typical values represent most likely parametric norms at  $V_{CC} = 3.3\text{ V}$ ,  $T_A = 25^\circ\text{C}$ , and at the Recommended Operation Conditions at the time of product characterization and are not guaranteed).

| Symbol                               | Parameter   | Conditions   | Min  | Typ   | Max | Units           |
|--------------------------------------|---|--|------|-------|-----|-----------------|
| <b>Current Consumption</b>           |   |  |      |       |     |                 |
| $I_{CC}$                             | Power Supply Current<br><i>(Note 5)</i>                                 | Entire device; one LVDS and one LVPECL clock enabled; no divide; no delay.     |      | 161.8 |     | mA              |
|                                      |   | Entire device; All Outputs Off (no emitter resistors placed)                   |      | 86    |     |                 |
| $I_{CCPD}$                           | Power Down Current  | POWERDOWN = 1  |      | 5     |     | mA              |
| <b>Reference Oscillator Input</b>    |   |  |      |       |     |                 |
| $f_{OSCin}$                          | Reference Oscillator Input Frequency Range                              |  | 1    |       | 200 | MHz             |
| $V_{IDOSCin}$                        | Reference Oscillator Differential Input Voltage <i>(Notes 6, 13)</i>    | AC coupled   | 0.2  |       | 1.6 | V               |
| $V_{OSCin}$                          | Reference Oscillator Single-ended Input Voltage <i>(Note 13)</i>        | AC coupled; Unused pin AC coupled to GND                                       | 0.2  |       | 2.0 | V <sub>pp</sub> |
| $SLEW_{OSCin}$                       | Reference Oscillator Input Slew Rate <i>(Note 13)</i>                   | 20% to 80%; For each input pin   | 0.15 | 0.5   |     | V/ns            |
| <b>External Feedback Clock Input</b> |   |  |      |       |     |                 |
| $f_{FBCLKin}$                        | External Feedback Clock Input Frequency Range                           |  | 1    |       | 800 | MHz             |
| $V_{IDFBCLKin}$                      | External Feedback Clock Differential Input Voltage <i>(Notes 6, 13)</i> | AC coupled   | 0.2  |       | 1.6 | V               |
| $V_{FBCLKin}$                        | External Feedback Clock Single-ended Input Voltage <i>(Note 13)</i>     | AC coupled; Unused pin AC coupled to GND                                       | 0.2  |       | 2.0 | V <sub>pp</sub> |
| $SLEW_{FBCLKin}$                     | External Feedback Clock Input Slew Rate <i>(Note 13)</i>                | 20% to 80%; For each input pin   | 0.15 | 0.5   |     | V/ns            |
| <b>PLL</b>                           |   |  |      |       |     |                 |
| $f_{PD}$                             | Phase Detector Frequency  |  |      |       | 40  | MHz             |
| $I_{SRCECPout}$                      | Charge Pump Source Current  | $V_{CPout} = V_{CC}/2$ , PLL_CP_GAIN = 1x                                      |      | 100   |     | μA              |
|                                      |   | $V_{CPout} = V_{CC}/2$ , PLL_CP_GAIN = 4x                                      |      | 400   |     |                 |
|                                      |   | $V_{CPout} = V_{CC}/2$ , PLL_CP_GAIN = 16x                                     |      | 1600  |     |                 |
|                                      |   | $V_{CPout} = V_{CC}/2$ , PLL_CP_GAIN = 32x                                     |      | 3200  |     |                 |
| $I_{SINKCPout}$                      | Charge Pump Sink Current  | $V_{CPout} = V_{CC}/2$ , PLL_CP_GAIN = 1x                                      |      | -100  |     | μA              |
|                                      |   | $V_{CPout} = V_{CC}/2$ , PLL_CP_GAIN = 4x                                      |      | -400  |     |                 |
|                                      |   | $V_{CPout} = V_{CC}/2$ , PLL_CP_GAIN = 16x                                     |      | -1600 |     |                 |
|                                      |   | $V_{CPout} = V_{CC}/2$ , PLL_CP_GAIN = 32x                                     |      | -3200 |     |                 |
| $I_{CPoutTRI}$                       | Charge Pump TRI-STATE® Current  | $0.5\text{ V} < V_{CPout} < V_{CC} - 0.5\text{ V}$                             |      | 2     | 10  | nA              |
| $I_{CPout\%MIS}$                     | Magnitude of Charge Pump Sink vs. Source Current Mismatch               | $V_{CPout} = V_{CC} / 2$<br>$T_A = 25^\circ\text{C}$                           |      | 3     |     | %               |
| $I_{CPoutVTUNE}$                     | Magnitude of Charge Pump Current vs. Charge Pump Voltage Variation      | $0.5\text{ V} < V_{CPout} < V_{CC} - 0.5\text{ V}$<br>$T_A = 25^\circ\text{C}$ |      | 4     |     | %               |
| $I_{CPoutTEMP}$                      | Magnitude of Charge Pump Current vs. Temperature Variation              |  |      | 4     |     | %               |



| Symbol   | Parameter  | Conditions   | Min  | Typ     | Max  | Units  |
|--|--|--|------|---------|------|--------|
| <a href="#">查询"LMK03200"供应商</a> <b>PLL (Continued)</b> |  |  |      |         |      |        |
| PN10kHz  | PLL 1/f Noise at 10 kHz Offset <i>(Note 7)</i><br>Normalized to 1 GHz Output Frequency | PLL_CP_GAIN = 1x   |      | -117    |      | dBc/Hz |
|  |  | PLL_CP_GAIN = 32x  |      | -122    |      |        |
| PN1Hz  | Normalized Phase Noise Contribution<br><i>(Note 8)</i>                                 | PLL_CP_GAIN = 1x   |      | -219    |      | dBc/Hz |
|  |  | PLL_CP_GAIN = 32x  |      | -224    |      |        |
| <b>VCO</b>   |  |  |      |         |      |        |
| $f_{Fout}$   | VCO Tuning Range   | LMK03200   | 1185 |         | 1296 | MHz    |
| $ \Delta T_{CL} $                                      | Allowable Temperature Drift for Continuous Lock  | After programming R15 for lock, only changes 0_DELAY_MODE and PLL_N for the purpose of enabling 0-delay mode permitted to guarantee continuous lock. <i>(Note 9)</i> |      |         | 125  | °C     |
| $P_{Fout}$   | Output Power to a 50 $\Omega$ load driven by $F_{out}$<br><i>(Note 11)</i>             | LMK03200; $T_A = 25$ °C  |      | 3.3     |      | dBm    |
| $K_{VCO}$  | Fine Tuning Sensitivity <i>(Note 10)</i>   | LMK03200   |      | 7 to 9  |      | MHz/V  |
| $J_{RMS Fout}$   | $F_{out}$ RMS Period Jitter<br>(12 kHz to 20 MHz bandwidth)                            | LMK03200   |      | 800     |      | fs     |
| <b>Clock Skew and Delay</b>                            |  |  |      |         |      |        |
| $t_{SKEW LVDS}$  | CLKoutX to CLKoutY <i>(Note 13)</i>  | Equal loading and identical clock configuration<br>$R_L = 100$ $\Omega$  | -30  | $\pm 4$ | 30   | ps     |
| $t_{SKEW LVPECL}$                                      | CLKoutX to CLKoutY <i>(Note 13)</i>  | Equal loading and identical clock configuration<br>$R_L = 100$ $\Omega$  | -30  | $\pm 3$ | 30   | ps     |
| $td_{0-DELAY}$   | OSCin to CLKoutX delay <i>(Note 13)</i>  | 0-Delay mode active; PLL_N_DLY = 0;<br>PLL_R_DLY = 0; FB_MUX = 0<br>(CLKout5)  | -300 | -65     | 300  | ps     |
|  |  | 0-Delay mode active; PLL_N_DLY = 0;<br>PLL_R_DLY = 0; FB_MUX = 2<br>(CLKout6)  | -300 | 35      | 300  |        |
|  |  | 0-Delay mode active; PLL_N_DLY = 0;<br>PLL_R_DLY = 0; FB_MUX = 1<br>(FBCLKin)  | -700 | -400    | -100 |        |
|  |  | 0-Delay mode active; PLL_N_DLY = 0;<br>PLL_R_DLY = 3; FB_MUX = 1<br>(FBCLKin)  | -400 | 35      | 400  |        |

| Symbol   | Parameter  | Conditions  | Min   | Typ                    | Max             | Units |
|--|--|---|---|------------------------|-----------------|-------|
| <b>Clock Distribution Section - LVDS Clock Outputs (Note 12)</b>   |  |   |   |                        |                 |       |
| Jitter <sub>ADD</sub>  | Additive RMS Jitter (Note 12)  | R <sub>L</sub> = 100 Ω<br>Distribution Path = 765 MHz<br>Bandwidth = 12 kHz to 20 MHz | CLKoutX_MUX = Bypass (no divide or delay)           | 20                     |                 | fs    |
|  |  |   | CLKoutX_MUX = Divided (no delay)<br>CLKoutX_DIV = 4 | 75                     |                 |       |
| V <sub>OD</sub>  | Differential Output Voltage  | R <sub>L</sub> = 100 Ω  | 250   | 350                    | 450             | mV    |
| ΔV <sub>OD</sub>   | Change in magnitude of V <sub>OD</sub> for complementary output states | R <sub>L</sub> = 100 Ω  | -50   |                        | 50              | mV    |
| V <sub>OS</sub>  | Output Offset Voltage  | R <sub>L</sub> = 100 Ω  | 1.070   | 1.25                   | 1.370           | V     |
| ΔV <sub>OS</sub>   | Change in magnitude of V <sub>OS</sub> for complementary output states | R <sub>L</sub> = 100 Ω  | -35   |                        | 35              | mV    |
| I <sub>SA</sub><br>I <sub>SB</sub>                                 | Clock Output Short Circuit Current single-ended                        | Single-ended outputs shorted to GND   | -24   |                        | 24              | mA    |
| I <sub>SAB</sub>   | Clock Output Short Circuit Current differential                        | Complementary outputs tied together   | -12   |                        | 12              | mA    |
| <b>Clock Distribution Section (Note 12) - LVPECL Clock Outputs</b> |  |   |   |                        |                 |       |
| Jitter <sub>ADD</sub>  | Additive RMS Jitter (Note 12)  | R <sub>L</sub> = 100 Ω<br>Distribution Path = 765 MHz<br>Bandwidth = 12 kHz to 20 MHz | CLKoutX_MUX = Bypass (no divide or delay)           | 20                     |                 | fs    |
|  |  |   | CLKoutX_MUX = Divided (no delay)<br>CLKoutX_DIV = 4 | 75                     |                 |       |
| V <sub>OH</sub>  | Output High Voltage  | Termination = 50 Ω to V <sub>CC</sub> - 2 V   |   | V <sub>CC</sub> - 0.98 |                 | V     |
| V <sub>OL</sub>  | Output Low Voltage   |   |   | V <sub>CC</sub> - 1.8  |                 | V     |
| V <sub>OD</sub>  | Differential Output Voltage  | R <sub>L</sub> = 100 Ω  | 660   | 810                    | 965             | mV    |
| <b>Digital LVTTTL Interfaces (Note 14)</b>                         |  |   |   |                        |                 |       |
| V <sub>IH</sub>  | High-Level Input Voltage   |   | 2.0   |                        | V <sub>CC</sub> | V     |
| V <sub>IL</sub>  | Low-Level Input Voltage  |   |   |                        | 0.8             | V     |
| I <sub>IH</sub>  | High-Level Input Current   | V <sub>IH</sub> = V <sub>CC</sub>   | -5.0  |                        | 5.0             | μA    |
| I <sub>IL</sub>  | Low-Level Input Current  | V <sub>IL</sub> = 0   | -40.0   |                        | 5.0             | μA    |
| V <sub>OH</sub>  | High-Level Output Voltage  | I <sub>OH</sub> = +500 μA   |   | V <sub>CC</sub> - 0.4  |                 | V     |
| V <sub>OL</sub>  | Low-Level Output Voltage   | I <sub>OL</sub> = -500 μA   |   |                        | 0.4             | V     |
| <b>Digital MICROWIRE Interfaces (Note 15)</b>                      |  |   |   |                        |                 |       |
| V <sub>IH</sub>  | High-Level Input Voltage   |   | 1.6   |                        | V <sub>CC</sub> | V     |
| V <sub>IL</sub>  | Low-Level Input Voltage  |   |   |                        | 0.4             | V     |
| I <sub>IH</sub>  | High-Level Input Current   | V <sub>IH</sub> = V <sub>CC</sub>   | -5.0  |                        | 5.0             | μA    |
| I <sub>IL</sub>  | Low-Level Input Current  | V <sub>IL</sub> = 0   | -5.0  |                        | 5.0             | μA    |

| Symbol  | Parameter                   | Conditions            | Min | Typ | Max | Units |
|---|-----------------------------|-----------------------|-----|-----|-----|-------|
| <a href="#">查询"LMK03200"供应商</a> <b>MICROWIRE Timing</b> |                             |                       |     |     |     |       |
| $t_{CS}$  | Data to Clock Set Up Time   | See Data Input Timing | 25  |     |     | ns    |
| $t_{CH}$  | Data to Clock Hold Time     | See Data Input Timing | 8   |     |     | ns    |
| $t_{CWH}$   | Clock Pulse Width High      | See Data Input Timing | 25  |     |     | ns    |
| $t_{CWL}$   | Clock Pulse Width Low       | See Data Input Timing | 25  |     |     | ns    |
| $t_{ES}$  | Clock to Enable Set Up Time | See Data Input Timing | 25  |     |     | ns    |
| $t_{CES}$   | Enable to Clock Set Up Time | See Data Input Timing | 25  |     |     | ns    |
| $t_{EWH}$   | Enable Pulse Width High     | See Data Input Timing | 25  |     |     | ns    |

**Note 4:** The Electrical Characteristics table lists guaranteed specifications under the listed Recommended Operating Conditions except as otherwise modified or specified by the Electrical Characteristics Conditions and/or Notes. Typical specifications are estimations only and are not guaranteed.

**Note 5:** See Section 3.5 [CURRENT CONSUMPTION / POWER DISSIPATION CALCULATIONS](#) for more information.

**Note 6:** See Section 3.10 [DIFFERENTIAL VOLTAGE MEASUREMENT TERMINOLOGY](#) for more information.

**Note 7:** A specification in modeling PLL in-band phase noise is the 1/f flicker noise,  $L_{PLL\_flicker}(f)$ , which is dominant close to the carrier. Flicker noise has a 10 dB/decade slope.  $PN_{10kHz}$  is normalized to a 10 kHz offset and a 1 GHz carrier frequency.  $PN_{10kHz} = L_{PLL\_flicker}(10\text{ kHz}) - 20\log(F_{out} / 1\text{ GHz})$ , where  $L_{PLL\_flicker}(f)$  is the single side band phase noise of only the flicker noise's contribution to total noise,  $L(f)$ . To measure  $L_{PLL\_flicker}(f)$  it is important to be on the 10 dB/decade slope close to the carrier. A high compare frequency and a clean crystal are important to isolating this noise source from the total phase noise,  $L(f)$ .  $L_{PLL\_flicker}(f)$  can be masked by the reference oscillator performance if a low power or noisy source is used. The total PLL in-band phase noise performance is the sum of  $L_{PLL\_flicker}(f)$  and  $L_{PLL\_flat}(f)$ .

**Note 8:** A specification in modeling PLL in-band phase noise is the Normalized Phase Noise Contribution,  $L_{PLL\_flat}(f)$ , of the PLL and is defined as  $PN_{1Hz} = L_{PLL\_flat}(f) - 20\log(N) - 10\log(f_{COMP})$ .  $L_{PLL\_flat}(f)$  is the single side band phase noise measured at an offset frequency,  $f$ , in a 1 Hz Bandwidth and  $f_{COMP}$  is the phase detector frequency of the synthesizer.  $L_{PLL\_flat}(f)$  contributes to the total noise,  $L(f)$ . To measure  $L_{PLL\_flat}(f)$  the offset frequency,  $f$ , must be chosen sufficiently smaller than the loop bandwidth of the PLL, and yet large enough to avoid a substantial noise contribution from the reference and flicker noise.  $L_{PLL\_flat}(f)$  can be masked by the reference oscillator performance if a low power or noisy source is used.

**Note 9:** Allowable Temperature Drift for Continuous Lock is how far the temperature can drift in either direction and stay in lock from the ambient temperature and programmed state at which the device was when the frequency calibration routine was run. The action of programming the R15 register, even to the same value, when  $0\_DELAY\_MODE = 0$  activates a frequency calibration routine. This implies that the device will work over the entire frequency range, but if the temperature drifts more than the maximum allowable drift for continuous lock, then it will be necessary to reprogram the R15 register while  $0\_DELAY\_MODE = 0$  to ensure that the device stays in lock. Regardless of what temperature the device was initially programmed at, the ambient temperature can never drift outside the range of  $-40\text{ }^{\circ}\text{C} \leq T_A \leq 85\text{ }^{\circ}\text{C}$  without violating specifications. For this specification to be valid, the programmed state of the device must not change after R15 is programmed except for  $0\_DELAY\_MODE$  and  $PLL\_N$  for the purpose of enabling 0-delay mode.

**Note 10:** The lower sensitivity indicates the typical sensitivity at the lower end of the tuning range, the higher sensitivity at the higher end of the tuning range

**Note 11:** Output power varies as a function of frequency. When a range is shown, the higher output power applies to the lower frequency and the lower output power applies to the higher frequency.

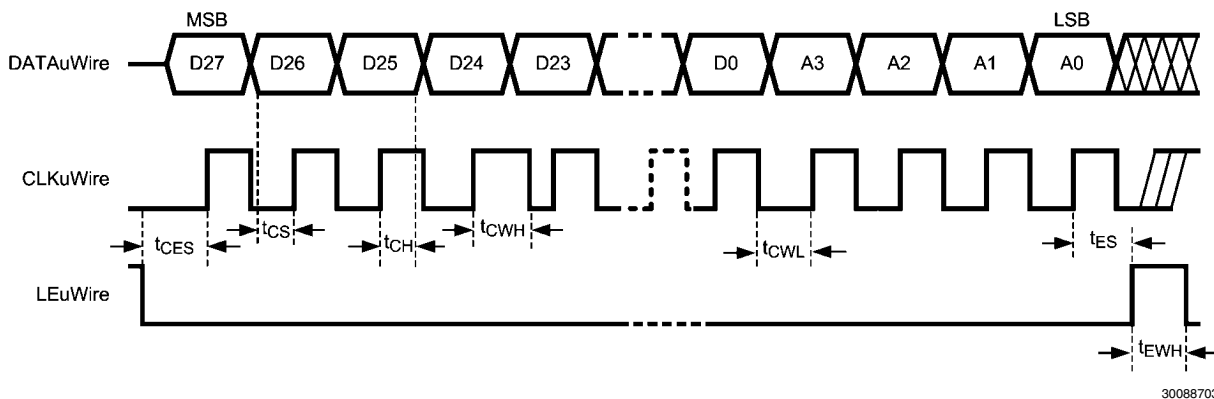
**Note 12:** The Clock Distribution Section includes all parts of the device except the PLL and VCO sections. Typical Additive Jitter specifications apply to the clock distribution section only and this adds in an RMS fashion to the shaped jitter of the PLL and the VCO.

**Note 13:** Specification is guaranteed by characterization and is not tested in production.

**Note 14:** Applies to GOE, LD, and SYNC\*.

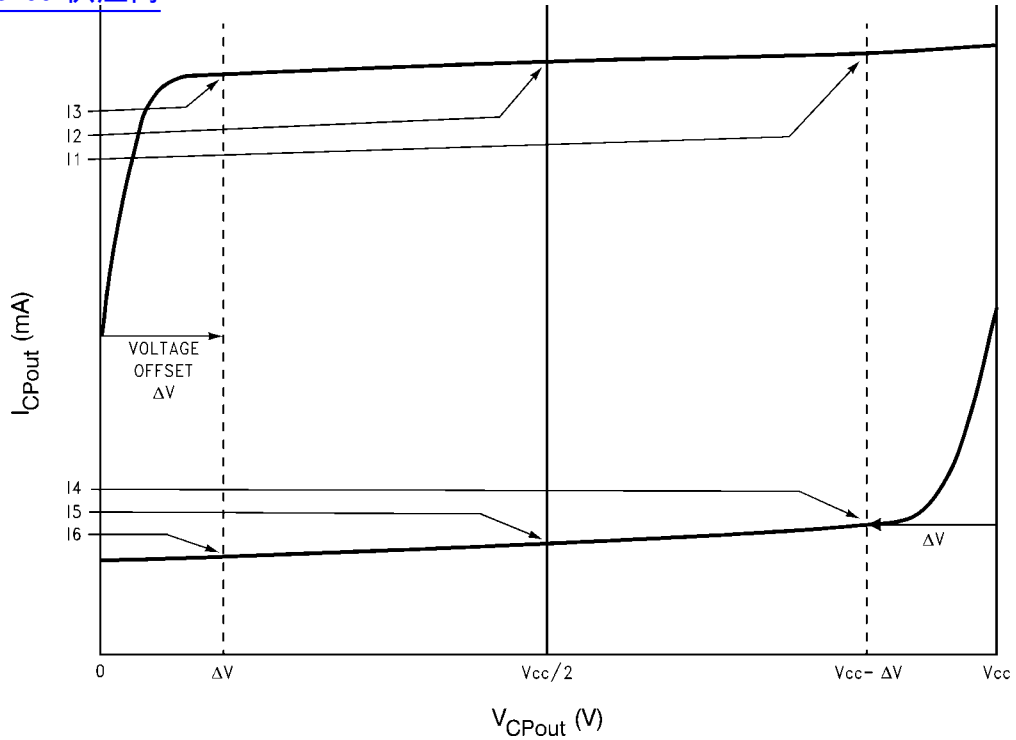
**Note 15:** Applies to CLKuWire, DATAuWire, and LEuWire.

## Serial Data Timing Diagram



Data bits set on the DATAuWire signal are clocked into a shift register, MSB first, on each rising edge of the CLKuWire signal. On the rising edge of the LEuWire signal, the data is sent from the shift register to the addressed register determined by the LSB bits. After the programming is complete the CLKuWire, DATAuWire, and LEuWire signals should be returned to a low state. It is recommended that the slew rate of CLKuWire, DATAuWire, and LEuWire should be at least 30 V/ $\mu$ s.

**Charge Pump Current Specification Definitions**  
[查询"LMK03200"供应商](#)



30088731

- I1 = Charge Pump Sink Current at  $V_{CPout} = V_{cc} - \Delta V$
- I2 = Charge Pump Sink Current at  $V_{CPout} = V_{cc}/2$
- I3 = Charge Pump Sink Current at  $V_{CPout} = \Delta V$
- I4 = Charge Pump Source Current at  $V_{CPout} = V_{cc} - \Delta V$
- I5 = Charge Pump Source Current at  $V_{CPout} = V_{cc}/2$
- I6 = Charge Pump Source Current at  $V_{CPout} = \Delta V$

$\Delta V$  = Voltage offset from the positive and negative supply rails. Defined to be 0.5 V for this device.

**Charge Pump Output Current Magnitude Variation vs. Charge Pump Output Voltage**

$$I_{CPout} \text{ Vs } V_{CPout} = \frac{|I1| - |I3|}{|I1| + |I3|} \times 100\%$$

$$= \frac{|I4| - |I6|}{|I4| + |I6|} \times 100\%$$

30088732

**Charge Pump Sink Current vs. Charge Pump Output Source Current Mismatch**

$$I_{CPout} \text{ Sink Vs } I_{CPout} \text{ Source} = \frac{|I2| - |I5|}{|I2| + |I5|} \times 100\%$$

30088733

**Charge Pump Output Current Magnitude Variation vs. Temperature**

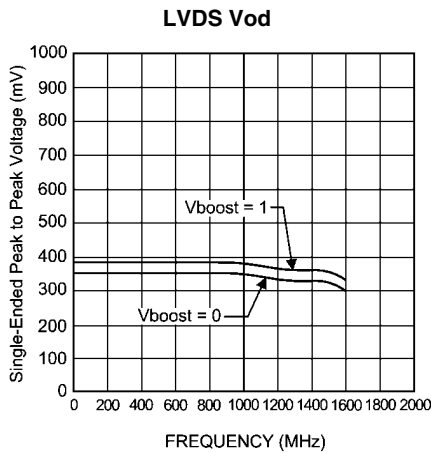
$$I_{CPout} \text{ Vs } T_A = \frac{|I2|_{T_A} - |I2|_{T_A=25^\circ C}}{|I2|_{T_A=25^\circ C}} \times 100\%$$

$$= \frac{|I5|_{T_A} - |I5|_{T_A=25^\circ C}}{|I5|_{T_A=25^\circ C}} \times 100\%$$

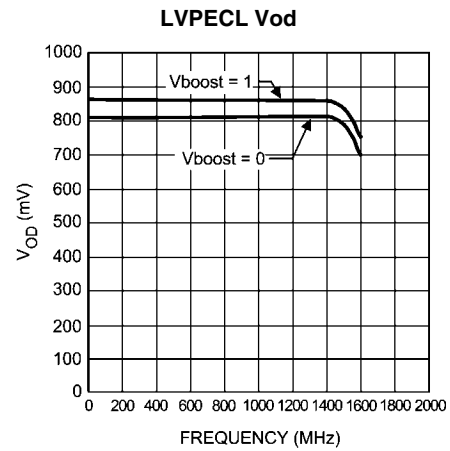
30088734

## Typical Performance Characteristics (Note 16)

查询 LMK03200 应用商

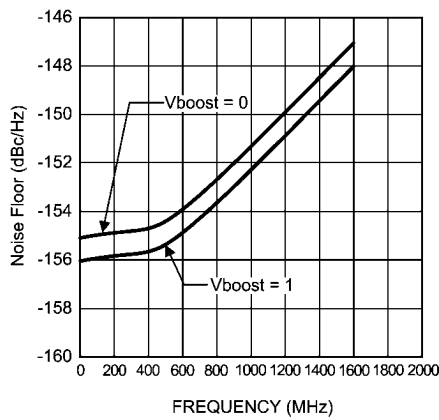


30088707



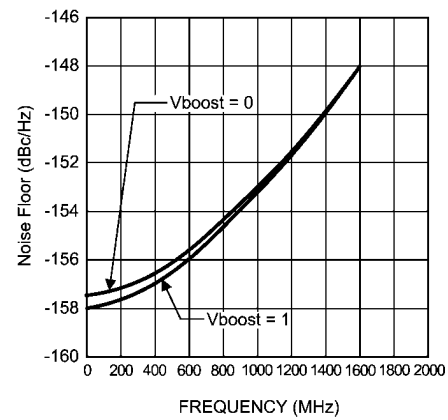
30088708

### LVDS Output Buffer Noise Floor (Note 17)



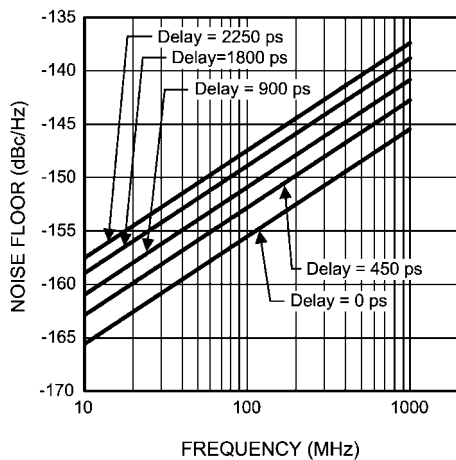
30088709

### LVPECL Output Buffer Noise Floor (Note 17)



30088710

### Delay Noise Floor (Notes 17, 18)



30088712

**Note 16:** These plots show performance at frequencies beyond what the part is guaranteed to operate at to give the user an idea of the capabilities of the part, but they do not imply any sort of guarantee.

**Note 17:** To estimate this noise, only the output frequency is required. Divide value and input frequency are not integral.

**Note 18:** The noise of the delay block is independent of output type and only applies if the delay is enabled. The noise floor due to the distribution section accounting for the delay noise can be calculated as:  $\text{Total Output Noise} = 10 \times \log(10^{\text{Output Buffer Noise}/10} + 10^{\text{Delay Noise Floor}/10})$ .

## 1.0 Functional Description

查询"LMK03200"供应商

The LMK03200 family of precision clock conditioners combine the functions of jitter cleaning/reconditioning, multiplication, and 0-delay distribution of a reference clock. The devices integrate a Voltage Controlled Oscillator (VCO), a high performance Integer-N Phase Locked Loop (PLL), a partially integrated loop filter, three LVDS, and five LVPECL clock output distribution blocks.

The devices include internal 3rd and 4th order poles to simplify loop filter design and improve spurious performance. The 1st and 2nd order poles are off-chip to provide flexibility for the design of various loop filter bandwidths.

The VCO output is optionally accessible on the Fout port. Internally, the VCO output goes through a VCO divider to feed the various clock distribution blocks.

Each clock distribution block includes a programmable divider, a phase synchronization circuit, a programmable delay, a clock output mux, and an LVDS or LVPECL output buffer. This allows multiple integer-related and phase-adjusted copies of the reference to be distributed to eight system components.

The clock conditioners come in a 48-pin LLP package and are footprint compatible with other clocking devices in the same family.

### 1.1 BIAS PIN

To properly use the device, bypass Bias (pin 36) with a low leakage 1  $\mu$ F capacitor connected to Vcc. This is important for low noise performance.

### 1.2 LDO BYPASS

To properly use the device, bypass LDObyp1 (pin 9) with a 10  $\mu$ F capacitor and LDObyp2 (pin 10) with a 0.1  $\mu$ F capacitor.

### 1.3 OSCILLATOR INPUT PORT (OSCin, OSCin\*)

The purpose of OSCin is to provide the PLL with a reference signal. Due to an internal DC bias the OSCin port should be AC coupled, refer to the System Level Diagram in the Application Information section. The OSCin port may be driven single-endedly by AC grounding OSCin\* with a 0.1  $\mu$ F capacitor.

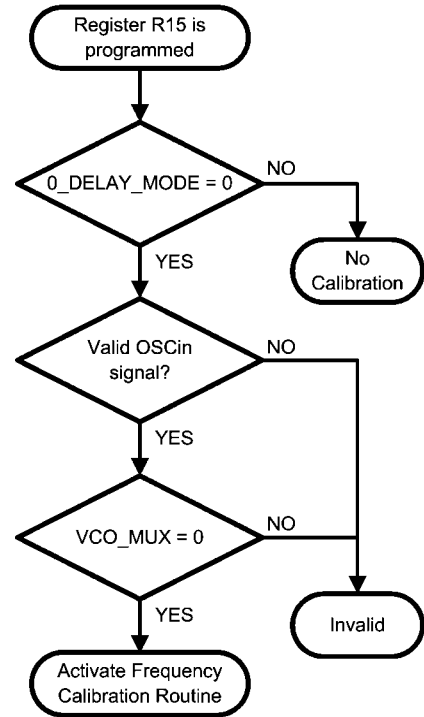
### 1.4 LOW NOISE, FULLY INTEGRATED VCO

The LMK03200 family of devices contain a fully integrated VCO. For proper operation the VCO uses a frequency calibration routine. The frequency calibration routine is activated any time that the R15 register is programmed and 0\_DELAY\_MODE = 0. Once the frequency calibration routine is run the temperature may not drift more than the maximum allowable drift for continuous lock,  $\Delta T_{CL}$ , or else the VCO is not guaranteed to stay in lock.

The status of the frequency calibration routine can be monitored. See section [2.2 Recommended Programming Sequence, with 0-Delay Mode](#)

For the frequency calibration routine to work properly OSCin must be driven by a valid signal and VCO\_MUX = 0, otherwise the resulting state is unknown.

Refer to [Figure 1](#) for a visual representation of what happens when R15 is programmed.



30088741

FIGURE 1. Frequency Calibration Routine Flowchart

### 1.5 LVDS/LVPECL OUTPUTS

By default all the clock outputs are disabled until programmed.

Each LVDS or LVPECL output may be disabled individually by programming the CLKoutX\_EN bits. All the outputs may be disabled simultaneously by pulling the GOE pin low or programming EN\_CLKout\_Global to 0.

The duty cycle of the LVDS and LVPECL clock outputs are shown in the table below.

| VCO_DIV    | CLKoutX_MUX                     | Duty Cycle |
|------------|---------------------------------|------------|
| Any        | Divided, or Divided and Delayed | 50%        |
| 2, 4, 6, 8 | Any                             | 50%        |
| 3          | Bypassed, or Delayed            | 33%        |
| 5          | Bypassed, or Delayed            | 40%        |
| 7          | Bypassed, or Delayed            | 43%        |

## 1.6 GLOBAL CLOCK OUTPUT SYNCHRONIZATION

The SYNC\* pin synchronizes the clock outputs. SYNC\* is not used in VCO bypass mode. When the SYNC\* pin is held in a logic low state, the divided outputs are also held in a logic low state. The bypassed outputs will continue to operate normally. Shortly after the SYNC\* pin goes high, the divided clock outputs are activated and will all transition to a high state simultaneously. All the outputs, divided and bypassed, will now be synchronized. Clocks in the bypassed state are not affected by SYNC\* and are always synchronized with the divided outputs.

The SYNC\* pin must be held low for greater than one clock cycle of the output of the VCO divider, also known as the distribution path. Once this low event has been registered, the outputs will not reflect the low state for four more cycles. This means that the outputs will be low on the fifth rising edge of the distribution path. Similarly once the SYNC\* pin becomes high, the outputs will not simultaneously transition high until four more distribution path clock cycles have passed, which is the fifth rising edge of the distribution path. See the timing diagram in [Figure 2](#) for further detail. The clocks are programmed as CLKout0\_MUX = Bypassed, CLKout1\_MUX = Divided, CLKout1\_DIV = 2, CLKout2\_MUX = Divided, and CLKout2\_DIV = 4. To synchronize the outputs, after the low SYNC\* event has been registered, it is not required to wait for the outputs to go low before SYNC\* is set high.

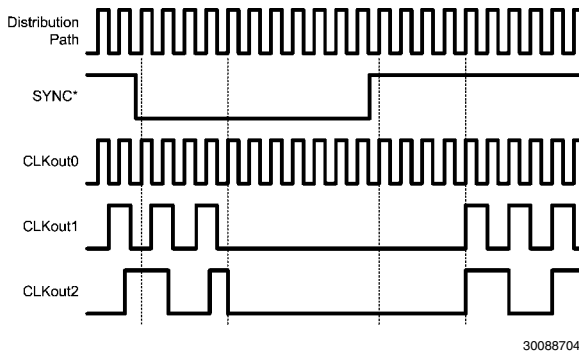


FIGURE 2. SYNC\* Timing Diagram

The SYNC\* pin provides an internal pull-up resistor as shown on the functional block diagram. If the SYNC\* pin is not terminated externally the clock outputs will operate normally. If

the SYNC\* function is not used, clock output synchronization is not guaranteed. To ensure 0-delay to reference see section [2.2 Recommended Programming Sequence, with 0-Delay Mode](#).

## 1.7 CLKout OUTPUT STATES

Each clock output may be individually enabled with the CLKoutX\_EN bits. Each individual output enable control bit is gated with the Global Output Enable input pin (GOE) and the Global Output Enable bit (EN\_CLKout\_Global).

All clock outputs can be disabled simultaneously if the GOE pin is pulled low by an external signal or EN\_CLKout\_Global is set to 0.

| CLKoutX_EN bit | EN_CLKout_Global bit | GOE pin           | CLKoutX Output State |
|----------------|----------------------|-------------------|----------------------|
| 1              | 1                    | Low               | Low                  |
| Don't care     | 0                    | Don't care        | Off                  |
| 0              | Don't care           | Don't care        | Off                  |
| 1              | 1                    | High / No Connect | Enabled              |

When an LVDS output is in the Off state, the outputs are at a voltage of approximately 1.5 volts. When an LVPECL output is in the Off state, the outputs are at a voltage of approximately 1 volt.

## 1.8 GLOBAL OUTPUT ENABLE AND LOCK DETECT

The GOE pin provides an internal pull-up resistor as shown on the functional block diagram. If it is not terminated externally, the clock output states are determined by the Clock Output Enable bits (CLKoutX\_EN) and the EN\_CLKout\_Global bit.

By programming the PLL\_MUX register to Digital Lock Detect Active High, the Lock Detect (LD) pin can be connected to the GOE pin in which case all outputs are set low automatically if the synthesizer is not locked.

## 1.9 POWER ON RESET

When supply voltage to the device increases monotonically from ground to Vcc, the power on reset circuit sets all registers to their default values, see the programming section for more information on default register values. Voltage should be applied to all Vcc pins simultaneously.

1.10 DIGITAL LOCK DETECT

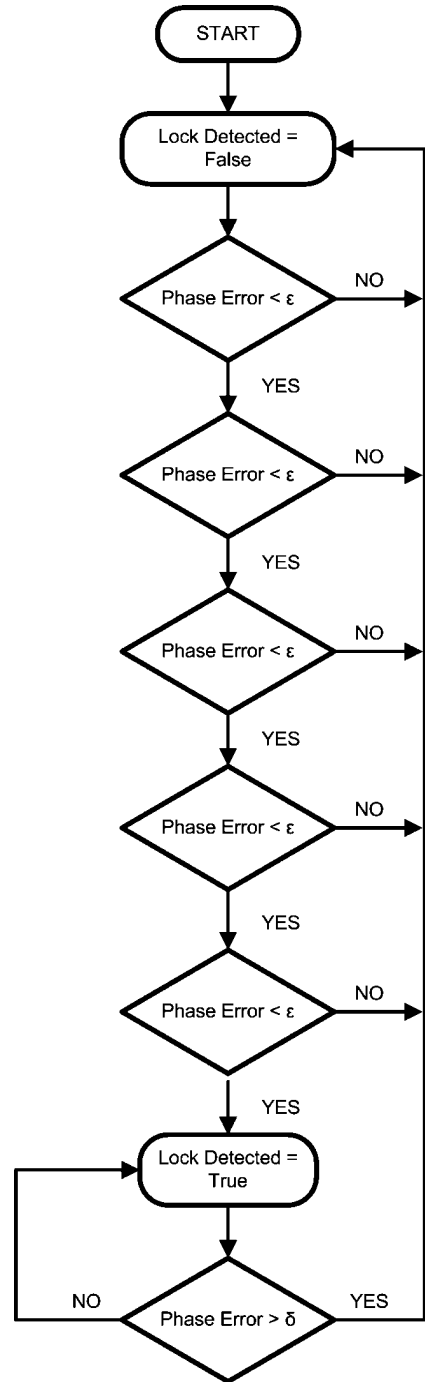
The PLL digital lock detect circuitry compares the difference between the phase of the inputs of the phase detector to a RC generated delay of  $\epsilon$ . To indicate a locked state the phase error must be less than the  $\epsilon$  RC delay for 5 consecutive reference cycles. Once in lock, the RC delay is changed to approximately  $\delta$ . To indicate an out of lock state, the phase error must become greater  $\delta$ . The values of  $\epsilon$  and  $\delta$  are shown in the table below:

| $\epsilon$ | $\delta$ |
|------------|----------|
| 10 ns      | 20 ns    |

To utilize the digital lock detect feature, PLL\_MUX must be programmed for "Digital Lock Detect (Active High)" or "Digital Lock Detect (Active Low)." When one of these modes is programmed the state of the LD pin will be set high or low as determined by the description above as shown in *Figure 3*.

When the device is in power down mode and the LD pin is programmed for a digital lock detect function, LD will show a "no lock detected" condition which is low or high given active high or active low circuitry respectively.

The accuracy of this circuit degrades at higher comparison frequencies. To compensate for this, the DIV4 word should be set to one if the comparison frequency exceeds 20 MHz. The function of this word is to divide the comparison frequency presented to the lock detect circuit by 4.



30088705

FIGURE 3. Digital Lock Detect Flowchart

1.11 CLKout DELAYS

Each individual clock output includes a delay adjustment. Clock output delay registers (CLKoutX\_DLY) support a 150 ps step size and range from 0 to 2250 ps of total delay.



### 1.12 GLOBAL DELAYS

After the N divider and F20 divider are two delays PLL\_N\_DLY and PLL\_R\_DLY. They support a 150 ps step size and range from 0 to 2250 ps of total delay. When using the 0-delay mode, these delays can be used to cause the clock outputs to lead or lag the clock input phase. *Figure 4* illustrates the use of the global delays. Note, it is possible to use the individual delays on each clock output (CLKoutX\_DLY) to further

alter the phase of the various clock outputs. This is not shown in *Figure 4*. Note that *Figure 4* illustrates use of PLL\_N\_DLY and PLL\_R\_DLY to shift clock outputs to lead or lag the reference input phase. It doesn't reflect exact timing or account for delays in buffers internal to the device, meaning the clock output is not guaranteed to have 0 phase delay from the reference input to a clock output as shown at the pins of the device.

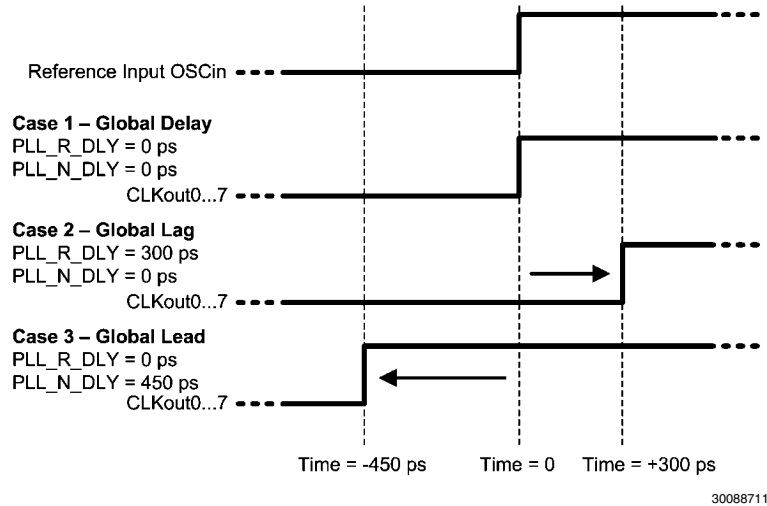


FIGURE 4. Global Lead and Lag

### 1.13 VCO DIVIDER BYPASS MODE

Once the LMK03200 is locked, the VCO divider may be bypassed to allow a higher frequency at the channel divider inputs, which can be used to generate output frequencies not allowable otherwise. The VCO\_DIV bypass mode does not work with 0-delay mode. See programming information in sections *2.3 Recommended Programming Sequence, bypassing VCO divider* and *2.4.5 VCO\_MUX [1:0] -- VCO Mux*. SYNC\* is not used when in VCO divider bypass mode.

### 1.14 0-DELAY MODE

The LMK03200 family can feedback an output to the phase detector either internally using CLKout5 or CLKout6, or externally by routing any clock output back to the FBCLKin/ FBCLKin\* input port to be synchronized with the reference clock for 0-delay output.

To ensure 0-delay for all the outputs, the lowest frequency output must be feed back to the PLL. This requirement forces the maximum phase detector frequency  $\leq$  the minimum clock output frequency.

When CLKout5 or CLKout6 is used for feedback internally, CLKout5 or CLKout6 are still valid for regular clocking applications. If CLKout5 or CLKout6 are unused, they do not need to be externally terminated, by not terminating the output power consumption is reduced.

To engage the 0-delay mode, refer to programming instructions in section *2.2 Recommended Programming Sequence, with 0-Delay Mode*.

*Figure 5* illustrates the 0-delay mode programming sequence. More detail is in section *2.2 Recommended Programming Sequence, with 0-Delay Mode*

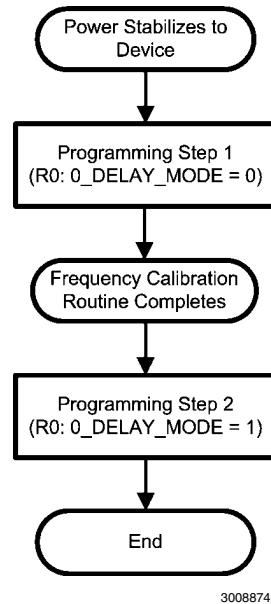


FIGURE 5. Outline of 0-delay mode programming sequence

The 0-delay mode may not be used together with the VCO\_DIV bypass except for the purpose of being temporarily enabled to re-program the PLL\_N to keep the PLL in lock. See *2.3 Recommended Programming Sequence, bypassing VCO divider* for more information.

## 2.0 General Programming Information

查询"LMK03200"供应商

The LMK03200 family of devices are programmed using several 32-bit registers which control the device's operation. The registers consist of a data field and an address field. The last 4 register bits, ADDR [3:0] form the address field. The remaining 28 bits form the data field DATA [27:0].

During programming, LEuWire is low and serial data is clocked in on the rising edge of CLKuWire (MSB first). When LE goes high, data is transferred to the register bank selected by the address field. Only registers R0 to R8, R11, and R13 to R15 need to be programmed for proper device operation.

For the frequency calibration routine to work properly OSCin must be driven by a valid signal when R15 is programmed. Any changes to the PLL\_R divider or OSCin require R15 to be programmed again while 0\_DELAY\_MODE = 0 to activate the frequency calibration routine.

### 2.1 Recommended Programming Sequence, without 0-Delay Mode

The recommended programming sequence involves programming R0 with the reset bit set (RESET = 1) to ensure the device is in a default state. It is not necessary to program R0 again, but if R0 is programmed again, the reset bit is programmed clear (RESET = 0). Registers are programmed in order with R15 being the last register programmed. An example programming sequence is shown below.

- Program R0 with the reset bit set (RESET = 1). This ensures the device is in a default state. When the reset bit is set in R0, the other R0 bits are ignored.
  - If R0 is programmed again, the reset bit is programmed clear (RESET = 0).
- Program R0 to R7 as necessary with desired clocks with appropriate enable, mux, divider, and delay settings.
- Program R8 for optimum phase noise performance.
- Program R9 with Vboost setting if necessary.
- Program R11 with DIV4 setting if necessary.
- Program R13 with oscillator input frequency and internal loop filter values.
- Program R14 with Fout enable bit, global clock output bit, power down setting, PLL mux setting, and PLL\_R divider.
- Program R15 with PLL charge pump gain, VCO divider, and PLL N divider. The frequency calibration routine starts.

### 2.2 Recommended Programming Sequence, with 0-Delay Mode

The lock procedure when using the 0-delay mode has two steps. The first is to complete the frequency calibration routine for the target frequency while not in 0-delay mode. The second step is to activate 0-delay mode and re-program the PLL\_N divider to accommodate the additional divide in the clock output path so that phase lock can be achieved with the reference input clock.

Global\_CLK\_EN and each output being used should be enabled in step 1. If the user desires for no output from the clock outputs during frequency lock, the GOE pin should be held low.

#### Step 1

- GOE pin is held low to keep outputs from toggling. Disabling the clock output with MICROWIRE should not be used so that when more than one clock output is used, they will all be synchronized together when using

0\_DELAY\_MODE. Otherwise a separate SYNC\* is required ensure all outputs are synchronized together after all steps are completed.

- Program R0 with the reset bit set (RESET = 1). This ensures the device is in a default state. When the reset bit is set in R0, the other R0 bits are ignored.
  - If R0 is programmed again, the reset bit is programmed clear (RESET = 0).
- Program R0 to R7 as necessary with desired clocks with appropriate enable, mux, divider, and delay settings. Outputs being used should be enabled.
  - R0: DLD\_MODE2 = 1 (Digital Lock Detect is now Frequency Calibration Routine Complete)
  - R0: 0\_DELAY\_MODE = 0
  - R0: FB\_MUX = desired feedback path for 0-delay mode.
  - RX: CLKoutX\_EN = 1 for used clock outputs.
- Program R8 for optimum phase noise performance.
- Program R9 with Vboost setting if necessary.
- Program R11 with DIV4 setting if necessary.
- Program R13 with oscillator input frequency and internal loop filter values.
- Program R14 with Fout enable bit, global clock output bit, power down setting, PLL mux setting, PLL\_R divider, and global PLL R delay.
  - R14: EN\_CLKout\_Global = 1
  - R14: PLL\_MUX = 3 or 4 for frequency calibration routine complete signal.
- Program R15 with PLL charge pump gain, VCO divider, PLL N divider, and global PLL N delay. The frequency calibration routine starts.

Now the LD pin should be monitored for the frequency calibration routine completed signal to be asserted if PLL\_MUX was set to 3 or 4 and DLD\_MODE2 = 1. Otherwise wait 2 ms for the frequency calibration routine to complete. Once the frequency calibration routine is completed step 2 may be executed to achieve 0-delay mode. With the addition of the clock output divide in the feedback path, the total N feedback divide will change and the device will need to be programmed in this step to accommodate this extra divide.

#### Step 2

- Program R0 with the same settings as in step 1 except:
  - 0\_DELAY\_MODE = 1 to activate 0-delay mode.
- The output being used for feedback must be enabled for the device to lock. This means that...
  - GOE pin is high. (set high if low from step 1).
  - SYNC\* pin is high.
  - CLKoutX\_EN bit is 1. (For all clocks being used)
  - EN\_CLKout\_Global bit is 1.
- Special feedback cases:
  - When CLKout 5 is used for feedback, CLKout 6 must also be enabled (CLKout6\_EN = 1). The configuration of the channel does not matter.
  - When FBCLKin/FBCLKin\* is used for feedback, CLKout 5 and CLKout 6 must be enabled (CLKout5\_EN = 1 and CLKout6\_EN = 1). The configuration of the channels does not matter, except when CLKout 5 or CLKout 6 is the source channel which drives FBCLKin/FBCLKin\*.
- Program R15 with new PLL\_N value.

The device will now synchronize clock outputs with reference input. As soon as the device is settled the LD pin will be as-

serted active high or low depending on PLL\_MUX value to indicate the device is phase locked. DELAY\_MODE = 1 reverts the LD pin back to digital lock detect.

The device is now phase locked and synchronized with the reference clock. Since step 2 requires GOE high for feedback, it is possible that the clock outputs will be momentarily slightly off frequency while the dividers and or feedback paths are being changed. Also when GOE is set high, it is possible for a runt pulse to occur since GOE is an asynchronous input. If there is no concern for off frequency clock cycles then it is allowable to leave GOE high for the entire programming procedure.

Before 0-delay mode the VCO frequency equation is: VCO Frequency = Reference OSCin Frequency / PLL R Divider \* PLL N Divider \* VCO divider.

After 0-delay mode the VCO frequency equation is: VCO Frequency = Reference OSCin Frequency / PLL R Divider \* PLL N Divider \* VCO divider \* CLKoutX\_DIV. Where CLKoutX\_DIV is the divide value of the clock used for feedback. If the clock is from FBCLKin, any external dividers must also be accounted for.

### 2.2.1 0-Delay Mode Example 1

In this example assume the user requirements are: an input reference of 10 MHz and a clock output of 30 MHz with the clock output synchronized to the reference input clock. CLKout5 is chosen as the output clock because it allows internal feedback for the 0-delay mode.

Registers which are not explicitly programmed are set to default values.

#### Step 1

- GOE pin is set low.
- Program Register 0 (reset device)  
RESET = 1  
Other values don't matter
- Program Register 0 again.  
RESET = 0  
DLD\_MODE2 = 1 (Digital Lock detect will be used for monitoring frequency calibration routine complete)  
FB\_MUX = 0 (CLKout5 feedback)
- Program Register 5 (30 MHz, used for feedback)  
CLKout5\_EN = 1 (turn output on)  
CLKout5\_MUX = 1 (divided)  
CLKout5\_DIV = 10 (divide by 20)
- Program Register 6 (Must be enabled when using CLKout5 for feedback)  
CLKout6\_EN = 1 (turn output on)
- Program Register 8
- Program Register 14  
PLL\_R = 1 (Phase detector frequency = 10 MHz)  
PLL\_MUX = 3 (DLD Active High)
- Program Register 15 (VCO Frequency = 1200 MHz)  
PLL\_N = 60  
VCO\_DIV = 2  
PLL\_CP\_GAIN = Loop filter dependant
- Begin monitoring LD pin for frequency calibration routine complete signal.

The device now begins the frequency calibration routine, when it completes the LD pin will go high since PLL\_MUX was programmed with the active high option for the frequency calibration routine complete signal. When the LD pin goes high, step 2 is executed.

#### Step 2

- Set GOE pin high.
- Program Register 0  
RESET = 0  
0\_DELAY\_MODE = 1 (activate 0-delay mode)  
DLD\_MODE2 = 1 (same, don't care)  
FB\_MUX = 0 (same)
- Program Register 15 (VCO Frequency = 1200 MHz)  
PLL\_N = 3 (updated value)  
VCO\_DIV = 2 (same)  
PLL\_CP\_GAIN = Loop filter dependant

The device will now synchronize. As soon as the device is settled the LD pin will go high to indicate the device is phase locked (0\_DELAY\_MODE = 1 reverts the LD pin back to digital lock detect mode). Now the device's VCO will be locked to 1200 MHz with an output clock of 30 MHz.

### 2.2.2 0-Delay Mode Example 2

In this example assume the user requirements are: an input reference of 61.44 MHz and clock outputs of 12.288 MHz (CLKout6), 30.72 MHz (CLKout3), and 61.44 MHz (CLKout4) with the clock outputs synchronized to the reference input clock. CLKout6 is chosen for feedback since the 12.288 MHz clock is the lowest frequency required to be synchronized (0-delay) with the reference and therefore must be fed back to the PLL N divider, note this also limits the phase detector frequency to 12.288 MHz so the input reference must be divided down to 12.288 MHz. If the 12.288 MHz clock wasn't required to be in synchronization (0-delay) with the reference, the 30.72 MHz clock could have been fed back instead raising the maximum allowable phase detector frequency to 30.72 MHz.

Registers which are not explicitly programmed are set to default values.

#### Step 1

- GOE pin is set low.
- Program Register 0 (reset device)  
RESET = 1  
Other values don't matter
- Program Register 0 again.  
RESET = 0  
DLD\_MODE2 = 1 (Digital Lock detect will be used for monitoring frequency calibration routine complete)  
FB\_MUX = 2 (CLKout6 feedback)
- Program Register 3 (30.72 MHz)  
CLKout3\_EN = 1 (turn output on)  
CLKout3\_MUX = 1 (divided)  
CLKout3\_DIV = 10 (divide by 20)
- Program Register 4 (61.44 MHz)  
CLKout4\_EN = 1 (turn output on)  
CLKout4\_MUX = 1 (divided)  
CLKout4\_DIV = 5 (divide by 10)
- Program Register 6 (12.288 MHz, used for feedback)  
CLKout6\_EN = 1 (turn output on)  
CLKout6\_MUX = 1 (divided)  
CLKout6\_DIV = 25 (divide by 50)
- Program Register 8
- Program Register 14  
PLL\_R = 5 (Phase detector frequency = 12.288 MHz)  
PLL\_MUX = 3 (DLD Active High)
- Program Register 15 (VCO Frequency = 1228.8 MHz)  
PLL\_N = 50  
VCO\_DIV = 2  
PLL\_CP\_GAIN = Loop filter dependant

- Begin monitoring LD pin for frequency calibration routine complete signal

### 查询 LMK03200 供应商

The device now begins the frequency calibration routine, when it completes the LD pin will go high since PLL\_MUX was programmed with the active high option for the frequency calibration routine complete signal. When the LD pin goes high, step 2 is executed.

#### Step 2

- GOE pin is set high.
- Program Register 0  
RESET = 0  
0\_DELAY\_MODE = 1 (activate 0-delay mode)  
DLD\_MODE2 = 1 (same, don't care)  
FB\_MUX = 2 (CLKout6 feedback)
- Program Register 15 (VCO Frequency = 1228.8 MHz)  
PLL\_N = 1 (updated value)  
VCO\_DIV = 2 (don't care)  
PLL\_CP\_GAIN = Loop filter dependant

The device will now synchronize. As soon as the device is settled the LD pin will go high to indicate the device is phase locked (0\_DELAY\_MODE = 1 reverts the LD pin back to digital lock detect). Now the device's VCO will be locked to 1228.8 MHz with the output clocks of 12.288, 30.72, and 61.44 MHz.

### 2.3 Recommended Programming Sequence, bypassing VCO divider

The programming procedure when using the VCO mux to bypass the VCO divider has two steps. The first step runs the frequency calibration routine with the VCO divider in the feedback path. The second step bypasses the VCO divider and locks the PLL.

#### Step 1

- Program R0 with the reset bit set (RESET = 1). This ensures the device is in a default state. When the reset bit is set in R0, the other R0 bits are ignored.
  - If R0 is programmed again, the reset bit is programmed clear (RESET = 0).
- Program R0 to R7 as necessary with desired clocks with appropriate enable, mux, divider, and delay settings.
  - The outputs should be programmed with divider values which achieve desired output frequencies after the VCO divider has been bypassed.
  - R0: DLD\_MODE2 = 1 (Digital Lock Detect is now Frequency Calibration Routine Complete)
  - R7: VCO\_MUX = 0 (VCO divider output, default)
- Program R8 for optimum phase noise performance.
- Program R9 with Vboost setting if necessary.
- Program R11 with DIV4 setting if necessary.
- Program R13 with oscillator input frequency and internal loop filter values.
- Program R14 with Fout enable bit, global clock output bit, power down setting, PLL mux setting, and PLL\_R divider.
  - R14: PLL\_MUX = 3 or 4 for frequency calibration routine complete signal.
- Program R15 with PLL charge pump gain, VCO divider, and PLL N divider. The frequency calibration routine starts.

Now the LD pin should be monitored for the frequency calibration routine completed signal to be asserted if PLL\_MUX was set to 3 or 4 and DLD\_MODE2 = 1. Otherwise wait 2 ms for the frequency calibration routine to complete. Once the

frequency calibration routine is completed step 2 may be executed to bypass the VCO divider.

#### Step 2

- Program R0 with the same settings as step 1 except:
  - DLD\_MODE2 = 0 (Digital lock detect is normal)
  - 0\_DELAY\_MODE = 1 (temporarily enable 0-delay mode)  
0\_DELAY\_MODE is not to be used in VCO divider bypass mode. It is only activated briefly to prevent the frequency calibration routine from running when R15 is programmed while the VCO Mux is selecting the VCO Output directly.
- Program R7
  - VCO\_MUX = 2 (VCO output)
- Program R14 with PLL\_MUX as desired, or PLL\_MUX = 3 or 4 for Lock Detect.
- Program R15 with the updated PLL\_N value since the VCO divider is no longer in the feedback path. The updated value of PLL\_N = Old PLL\_N \* VCO\_Divider value. This programs the VCO to the same frequency as step 1. The VCO must be programmed for the same frequency as step 1.
- Program R0 with the same settings except:
  - 0\_DELAY\_MODE = 0 (disable 0-delay mode)

After a short settling time, the VCO will be locked and the clock outputs will be at the desired frequency. The LD pin will indicate when the PLL is locked if PLL\_MUX is programmed to a digital lock detect mode.

#### 2.3.1 VCO divider bypass example

In this example assume the user requirements are: an input reference of 61.44 MHz and clock output frequencies of 614.4 MHz on CLKout0 and CLKout1, and 307.2 MHz on CLKout2. The VCO is programmed to 1228.8 MHz.

Registers not explicitly programmed are set to default values.

#### Step 1

- GOE pin is set high
- Program Register 0 (reset device)  
RESET = 1  
Other values don't matter
- Program Register 0 again (614.4 MHz)  
DLD\_MODE2 = 1 (Digital Lock detect will be used for monitoring frequency calibration routine complete)  
CLKout0\_EN = 1 (turn output on)  
CLKout0\_MUX = 0 (bypassed)
- Program Register 1 (614.4 MHz)  
CLKout1\_EN = 1 (turn output on)  
CLKout1\_MUX = 0 (bypassed)
- Program Register 2 (307.2 MHz)  
CLKout2\_EN = 2 (turn output on)  
CLKout2\_MUX = 1 (divide)  
CLKout2\_DIV = 1 (divide by 2)
- Program Register 8
- Program Register 14  
PLL\_R = 2 (Phase detector frequency = 30.72 MHz)  
PLL\_MUX = 3 (DLD Active High, now frequency calibration routine complete)  
Program Register 15 (VCO Frequency = 1228.8 MHz)  
PLL\_N = 20  
VCO\_DIV = 2  
PLL\_CP\_GAIN = Loop filter dependant
- Begin monitoring LD pin lock detect.

The device now begins the frequency calibration routine, when it completes the LD pin will go high since PLL\_MUX was programmed with the active high option for lock detect and DLD\_MODE2 = 1. When the LD pin goes high, or after 2 ms have passed (the time for frequency calibration routine to complete), step 2 is executed. Note that VCO\_DIV = 0 was not programmed to select VCO Divider since that is the default mode.

At this time the clock output frequency will be half the final value because VCO\_DIV = 2. If VCO\_DIV was = 3, the clock output frequencies would be a third the final value, etc.

### Step 2

- Program Register 0
  - DLD\_MODE2 = 0 (Digital lock detect is normal)
  - 0\_DELAY\_MODE = 1 (active 0-delay mode so that programming R15 won't start frequency calibration routine)
  - CLKout0\_EN = 1 (keep same programming)
  - CLKout0\_MUX = 0 (keep same programming)
- Program Register 7
  - VCO\_MUX = 2 (bypass VCO divider)
- Program Register 15 (VCO Frequency = 1228.8 MHz)
  - PLL\_N = 40 (VCO\_DIV bypassed, must update PLL\_N)
- Program Register 0
  - 0\_DELAY\_MODE = 0
  - CLKout0\_EN = 1 (keep same programming)
  - CLKout0\_MUX = 0 (keep same programming)

When R7 is updated to bypass the VCO divider the PLL will loose lock until R15 can be updated again with the updated PLL\_N divider value.

Once the LD pin goes high again, the clock outputs will be locked at 614.4 MHz and 307.2 MHz.

[查询"LMK03200"供应商](#)

2.4 Register Map

| Register | Data [27:0] |    |    |    |    |                      |    |    |    |    |    |    |    |    |    |    |    |    |    |    |    |    |   |   |   |   |   |   |   |   |   |   |   |
|----------|-------------|----|----|----|----|----------------------|----|----|----|----|----|----|----|----|----|----|----|----|----|----|----|----|---|---|---|---|---|---|---|---|---|---|---|
|          | 31          | 30 | 29 | 28 | 27 | 26                   | 25 | 24 | 23 | 22 | 21 | 20 | 19 | 18 | 17 | 16 | 15 | 14 | 13 | 12 | 11 | 10 | 9 | 8 | 7 | 6 | 5 | 4 | 3 | 2 | 1 | 0 |   |
| R0       | RESET       | 0  | 0  | 0  | 0  | 0                    | 0  | 0  | 0  | 0  | 0  | 0  | 0  | 0  | 0  | 0  | 0  | 0  | 0  | 0  | 0  | 0  | 0 | 0 | 0 | 0 | 0 | 0 | 0 | 0 | 0 | 0 |   |
| R1       | 0           | 0  | 0  | 0  | 0  | 0                    | 0  | 0  | 0  | 0  | 0  | 0  | 0  | 0  | 0  | 0  | 0  | 0  | 0  | 0  | 0  | 0  | 0 | 0 | 0 | 0 | 0 | 0 | 0 | 0 | 0 | 0 |   |
| R2       | 0           | 0  | 0  | 0  | 0  | 0                    | 0  | 0  | 0  | 0  | 0  | 0  | 0  | 0  | 0  | 0  | 0  | 0  | 0  | 0  | 0  | 0  | 0 | 0 | 0 | 0 | 0 | 0 | 0 | 0 | 0 | 0 |   |
| R3       | 0           | 0  | 0  | 0  | 0  | 0                    | 0  | 0  | 0  | 0  | 0  | 0  | 0  | 0  | 0  | 0  | 0  | 0  | 0  | 0  | 0  | 0  | 0 | 0 | 0 | 0 | 0 | 0 | 0 | 0 | 0 | 0 |   |
| R4       | 0           | 0  | 0  | 0  | 0  | 0                    | 0  | 0  | 0  | 0  | 0  | 0  | 0  | 0  | 0  | 0  | 0  | 0  | 0  | 0  | 0  | 0  | 0 | 0 | 0 | 0 | 0 | 0 | 0 | 0 | 0 | 0 |   |
| R5       | 0           | 0  | 0  | 0  | 0  | 0                    | 0  | 0  | 0  | 0  | 0  | 0  | 0  | 0  | 0  | 0  | 0  | 0  | 0  | 0  | 0  | 0  | 0 | 0 | 0 | 0 | 0 | 0 | 0 | 0 | 0 | 0 |   |
| R6       | 0           | 0  | 0  | 0  | 0  | 0                    | 0  | 0  | 0  | 0  | 0  | 0  | 0  | 0  | 0  | 0  | 0  | 0  | 0  | 0  | 0  | 0  | 0 | 0 | 0 | 0 | 0 | 0 | 0 | 0 | 0 | 0 |   |
| R7       | 0           | 0  | 0  | 0  | 0  | VCO<br>_MUX<br>[1:0] | 0  | 0  | 0  | 0  | 0  | 0  | 0  | 0  | 0  | 0  | 0  | 0  | 0  | 0  | 0  | 0  | 0 | 0 | 0 | 0 | 0 | 0 | 0 | 0 | 0 | 0 | 0 |

|          |    |    |    |    |    |    |    |    |    |    |    |    |    |    |    |        |      |    |    |    |    |    |   |   |   |   |   |   |   |   |   |   |
|----------|----|----|----|----|----|----|----|----|----|----|----|----|----|----|----|--------|------|----|----|----|----|----|---|---|---|---|---|---|---|---|---|---|
| Register | 31 | 30 | 29 | 28 | 27 | 26 | 25 | 24 | 23 | 22 | 21 | 20 | 19 | 18 | 17 | 16     | 15   | 14 | 13 | 12 | 11 | 10 | 9 | 8 | 7 | 6 | 5 | 4 | 3 | 2 | 1 | 0 |
| R8       | 0  | 0  | 0  | 1  | 0  | 0  | 0  | 0  | 0  | 0  | 0  | 0  | 0  | 0  | 0  | 0      | 0    | 0  | 0  | 0  | 1  | 0  | 0 | 0 | 0 | 0 | 0 | 0 | 0 | 0 | 0 | 0 |
| R9       | 1  | 0  | 1  | 0  | 0  | 0  | 0  | 0  | 0  | 0  | 0  | 0  | 0  | 0  | 1  | Vboost | 0    | 0  | 0  | 1  | 0  | 1  | 0 | 0 | 0 | 0 | 0 | 0 | 0 | 0 | 0 | 0 |
| R11      | 0  | 0  | 0  | 0  | 0  | 0  | 0  | 0  | 0  | 0  | 0  | 0  | 0  | 0  | 1  | 0      | DIV4 | 0  | 0  | 0  | 0  | 0  | 0 | 0 | 0 | 0 | 0 | 0 | 0 | 0 | 0 | 0 |
| R13      | 0  | 0  | 0  | 0  | 0  | 0  | 1  | 0  | 1  | 0  | 0  | 0  | 0  | 0  | 0  | 0      | 0    | 0  | 0  | 0  | 0  | 0  | 0 | 0 | 0 | 0 | 0 | 0 | 0 | 0 | 0 | 0 |
| R14      | 0  | 0  | 0  | 0  | 0  | 0  | 0  | 0  | 0  | 0  | 0  | 0  | 0  | 0  | 0  | 0      | 0    | 0  | 0  | 0  | 0  | 0  | 0 | 0 | 0 | 0 | 0 | 0 | 0 | 0 | 0 | 0 |
| R15      | 0  | 0  | 0  | 0  | 0  | 0  | 0  | 0  | 0  | 0  | 0  | 0  | 0  | 0  | 0  | 0      | 0    | 0  | 0  | 0  | 0  | 0  | 0 | 0 | 0 | 0 | 0 | 0 | 0 | 0 | 0 | 0 |

查询"LMK03200"供应商

## 2.4 Register R0 to R7

Registers R0 through R7 control the eight clock outputs. Register R0 controls CLKout0, Register R1 controls CLKout1, and so on. There are some additional bit in register R0 called RESET, DLD\_MODE2, 0\_DELAY\_MODE, and FB\_MUX. Aside

from these, the functions of these bits in registers R0 through R7 are identical. The X in CLKoutX\_MUX, CLKoutX\_DIV, CLKoutX\_DLY, and CLKoutX\_EN denote the actual clock output which may be from 0 to 7.

### Default Register Settings after Power on Reset

| Bit Name         | Default Bit Value | Bit State                  | Bit Description                       | Register | Bit Location |
|------------------|-------------------|----------------------------|---------------------------------------|----------|--------------|
| RESET            | 0                 | No reset, normal operation | Reset to power on defaults            | R0       | 31           |
| DLD_MODE2        | 0                 | Disabled                   | Digital Lock Detect Mode2 is disabled |          | 28           |
| 0_DELAY_MODE     | 0                 | Disabled                   | Not 0-delay mode                      |          | 27           |
| FB_MUX           | 0                 | CLKout5                    | 0-delay mode feedback                 |          | 26:25        |
| CLKoutX_MUX      | 0                 | Bypassed                   | CLKoutX mux mode                      | R0 to R7 | 18:17        |
| CLKoutX_EN       | 0                 | Disabled                   | CLKoutX enable                        |          | 16           |
| CLKoutX_DIV      | 1                 | Divide by 2                | CLKoutX clock divide                  |          | 15:8         |
| CLKoutX_DLY      | 0                 | 0 ps                       | CLKoutX clock delay                   |          | 7:4          |
| VCO_MUX          | 0                 | Use VCO divider            | VCO divider bypassed mode             | R7       | 26:25        |
| Vboost           | 0                 | Normal Mode                | Output Power Control                  | R9       | 16           |
| DIV4             | 0                 | PDF $\leq$ 20 MHz          | Phase Detector Frequency              | R11      | 15           |
| OSCin_FREQ       | 10                | 10 MHz OSCin               | OSCin Frequency in MHz                | R13      | 21:14        |
| VCO_R4_LF        | 0                 | Low (~200 $\Omega$ )       | R4 internal loop filter values        |          | 13:11        |
| VCO_R3_LF        | 0                 | Low (~600 $\Omega$ )       | R3 internal loop filter values        |          | 10:8         |
| VCO_C3_C4_LF     | 0                 | C3 = 0 pF, C4 = 10 pF      | C3 and C4 internal loop filter values |          | 7:4          |
| EN_Fout          | 0                 | Fout disabled              | Fout enable                           | R14      | 28           |
| EN_CLKout_Global | 1                 | Normal - CLKouts normal    | Global clock output enable            |          | 27           |
| POWERDOWN        | 0                 | Normal - Device active     | Device power down                     |          | 26           |
| PLL_MUX          | 0                 | Disabled                   | Multiplexer control for LD pin        |          | 23:20        |
| PLL_R            | 10                | R divider = 10             | PLL R divide value                    | R15      | 19:8         |
| PLL_R_DLY        | 0                 | 0 ps                       | PLL R delay value (lag)               |          | 7:4          |
| PLL_CP_GAIN      | 0                 | 100 $\mu$ A                | Charge pump current                   |          | 31:30        |
| VCO_DIV          | 2                 | Divide by 2                | VCO divide value                      |          | 29:26        |
| PLL_N            | 760               | N divider = 760            | PLL N divide value                    | R15      | 25:8         |
| PLL_N_DLY        | 0                 | 0 ps                       | PLL N delay value (lead)              |          | 7:4          |

#### 2.4.1 Reset bit -- Reset device to power on defaults

This bit is only in register R0. The use of this bit is optional and it should be set to '0' if not used. Setting this bit to a '1' forces all registers to their power on reset condition and therefore automatically clears this bit. If this bit is set, all other R0 bits are ignored and R0 needs to be programmed again if used with its proper values and RESET = 0.

#### 2.4.2 DLD\_MODE2 bit -- Digital Lock Detect Mode 2

This bit is only in register R0. The output of the LD pin is defined by register PLL\_MUX (See [2.9.2 PLL\\_MUX\[3:0\] -- Multiplexer Control for LD Pin](#)). When a Digital Lock Detect output is selected, setting this bit overrides the default functionality allowing the user to determine when the frequency calibration routine is done. When using 0-delay mode this informs the user when the 0-delay mode can be activated. See section [2.2 Recommended Programming Sequence, with 0-Delay Mode](#) for more information.

| DLD_MODE2   | 0_DELAY_MODE | LD Output                    |
|-------------|--------------|------------------------------|
| 0 (default) | X            | Digital Lock Detect          |
| 1           | 0            | Digital Calibration Complete |
| 1           | 1            | Digital Lock Detect          |



### 2.4.3 0\_DELAY\_MODE bit -- Activate 0-Delay Mode

This bit is only in register R15 and is used for activating the 0-delay mode. Once the frequency calibration routine is complete - as determined by monitoring the LD output in DLD\_MODE2 or waiting 2 ms after programming R15, this bit may be set to activate 0-delay mode. Setting this bit sets the N divider mux to use the feedback mux for input and prevents the frequency calibration routine from activating when register R15 is programmed. Once this bit is set and the 0-delay path is completed, the PLL\_N divider in register R15 will need to be reprogrammed for final phase lock. See section [2.2 Recommended Programming Sequence, with 0-Delay Mode](#) for more information. Also refer to [2.4.4 FB\\_MUX \[1:0\] -- Feedback Mux](#) for more information on proper configuration of the device for feedback of the selected signal.

| 0_DELAY_MODE | Frequency Calibration Routine | N divider mux (Ndiv Mux) |
|--------------|-------------------------------|--------------------------|
| 0 (default)  | Enabled                       | VCO Divider              |
| 1            | Disabled                      | Feedback Mux (FB_MUX)    |

### 2.4.4 FB\_MUX [1:0] -- Feedback Mux

This bit is only in register R0 and is for use with the 0-delay mode.

| FB_MUX [1:0] | Mode                   |
|--------------|------------------------|
| 0            | CLKout5 (default)      |
| 1            | FBCLKin/FBCLKin* Input |
| 2            | CLKout6                |
| 3            | Reserved               |

When using CLKout5 and FBCLKin/FBCLKin\* for feedback for 0-delay mode, the proper clock outputs must be enabled to pass the feedback signal back to the N divider. Refer to the table below for more details. The only requirement given by the table below is that the clock output must be enabled with CLKoutX\_EN bits, if the clock is only used for feedback, the clock does not need to be terminated which saves power. The simplest feedback path to use is CLKout6 since it does not require another CLKout to be enabled.

| Clock Feedback Source | CLKout5_EN (See 2.4.9) | CLKout6_EN (See 2.4.9) |
|-----------------------|------------------------|------------------------|
| CLKout 5              | 1                      | 1                      |
| FBCLKin/<br>FBCLKin*  | 1                      | 1                      |
| CLKout 6              | Don't care             | 1                      |

The electrical specification  $td_{0\_DELAY}$  is given with the condition  $FB\_MUX = 0$  (CLKout5). If  $FB\_MUX = 2$  (CLKout6), then  $td_{0\_DELAY}$ , OSCin to CLKoutX 0-delay, increases 100 ps.

### 2.4.5 VCO\_MUX [1:0] -- VCO Mux

This bit is only in register R7 and is used to select either the VCO divider output or the VCO output for the clock distribution path. By selecting the VCO output ( $VCO\_MUX=2$ ), the VCO divider is bypassed allowing a higher frequency at the channel divider inputs, which can be used to generate output frequencies not allowable otherwise.

Important: The VCO calibration routine requires that the VCO divider ( $VCO\_MUX = 0$ ) is selected when programming R15. The VCO divider ( $VCO\_MUX=0$ ) must be selected for the VCO calibration routine to operate properly.

Important: When bypassing the VCO divider ( $VCO\_MUX=2$ ), 0-delay mode may not be used. However 0\_DELAY\_MODE is set to 1 when re-programming PLL\_N after the VCO divider has been bypassed to prevent the frequency calibration routine from running. The new PLL\_N value = Old PLL\_N \* VCO divider. Once PLL\_N is re-programmed 0\_DELAY\_MODE is set back to 0. See the programming section, [2.3 Recommended Programming Sequence, bypassing VCO divider](#), for more information.

| VCO_MUX [1:0] | Mode                  |
|---------------|-----------------------|
| 0             | VCO Divider (default) |
| 1             | Reserved              |
| 2             | VCO                   |
| 3             | Reserved              |

### 2.4.6 CLKoutX\_MUX [1:0] -- Clock Output Multiplexers

These bits control the Clock Output Multiplexer for each clock output. Changing between the different modes changes the blocks in the signal path and therefore incurs a delay relative to the bypass mode. The different MUX modes and associated delays are listed below.

| CLKoutX_MUX [1:0] | Mode                | Added Delay Relative to Bypass Mode             |
|-------------------|---------------------|---|
| 0                 | Bypassed (default)  | 0 ps  |
| 1                 | Divided             | 100 ps  |
| 2                 | Delayed             | 400 ps<br>(In addition to the programmed delay) |
| 3                 | Divided and Delayed | 500 ps<br>(In addition to the programmed delay) |

### 2.4.7 CLKoutX\_DIV [7:0] -- Clock Output Dividers

These bits control the clock output divider value. In order for these dividers to be active, the respective CLKoutX\_MUX bit must be set to either "Divided" or "Divided and Delayed" mode. After all the dividers are programmed, the SYNC\* pin must be used to ensure that all edges of the clock outputs are aligned. The Clock Output Dividers follow the VCO Divider so the final clock divide for an output is VCO Divider × Clock Output Divider. By adding the divider block to the output path a fixed delay of approximately 100 ps is incurred.

The actual Clock Output Divide value is twice the binary value programmed as listed in the table below.

| CLKoutX_DIV [7:0] |   |   |   |   |   |   |   | Clock Output Divider value |
|-------------------|---|---|---|---|---|---|---|----------------------------|
| 0                 | 0 | 0 | 0 | 0 | 0 | 0 | 0 | Invalid                    |
| 0                 | 0 | 0 | 0 | 0 | 0 | 0 | 1 | 2 (default)                |
| 0                 | 0 | 0 | 0 | 0 | 0 | 1 | 0 | 4                          |
| 0                 | 0 | 0 | 0 | 0 | 0 | 1 | 1 | 6                          |
| 0                 | 0 | 0 | 0 | 0 | 1 | 0 | 0 | 8                          |
| 0                 | 0 | 0 | 0 | 0 | 1 | 0 | 1 | 10                         |
| .                 | . | . | . | . | . | . | . | ...                        |
| 1                 | 1 | 1 | 1 | 1 | 1 | 1 | 1 | 510                        |

### 2.4.8 CLKoutX\_DLY [3:0] -- Clock Output Delays

These bits control the delay stages for each clock output. In order for these delays to be active, the respective CLKoutX\_MUX bit must be set to either "Delayed" or "Divided and Delayed" mode. By adding the delay block to the output path a fixed delay of approximately 400 ps is incurred in addition to the delay shown in the table below.

| CLKoutX_DLY [3:0] | Delay (ps)  |
|-------------------|-------------|
| 0                 | 0 (default) |
| 1                 | 150         |
| 2                 | 300         |
| 3                 | 450         |
| 4                 | 600         |
| 5                 | 750         |
| 6                 | 900         |
| 7                 | 1050        |
| 8                 | 1200        |
| 9                 | 1350        |
| 10                | 1500        |
| 11                | 1650        |
| 12                | 1800        |
| 13                | 1950        |
| 14                | 2100        |
| 15                | 2250        |

### 2.4.9 CLKoutX\_EN bit -- Clock Output Enables

These bits control whether an individual clock output is enabled or not. If the EN\_CLKout\_Global bit is set to zero or if GOE pin is held low, all CLKoutX\_EN bit states will be ignored and all clock outputs will be disabled.

| CLKoutX_EN bit | Conditions  | CLKoutX State      |
|----------------|---|--------------------|
| 0              | EN_CLKout_Global bit = 1<br>GOE pin = High / No Connect | Disabled (default) |
| 1              |   | Enabled            |

### 2.5 Register R8

There are no user programmable bits in register R8. Register R8 is programmed as shown in the section for optimum phase noise performance.

### 2.6 Register R9

The programming of register R9 is optional. If it is not programmed the bit Vboost will be defaulted to 0, which is the test condition for all electrical characteristics.

#### 2.6.1 Vboost bit -- Voltage Boost

By enabling this bit, the voltage output levels for all clock outputs is increased. Also, the noise floor is improved

| Vboost | Typical LVDS Voltage Output (mV) | Typical LVPECL Voltage Output (mV) |
|--------|----------------------------------|------------------------------------|
| 0      | 350                              | 810                                |
| 1      | 390                              | 865                                |

## 2.7 Register R11

This register only has 2 bits and only needs to be programmed in the case that the phase detector frequency is greater than 20 MHz and digital lock detect is used. Otherwise, it is automatically defaulted to the correct values.

### 2.7.1 DIV4 -- High Phase Detector Frequencies and Lock Detect

This bit divides the frequency presented to the digital lock detect circuitry by 4. It is necessary to get a reliable output from the digital lock detect output in the case of a phase detector frequency greater than 20 MHz.

| DIV4 | Digital Lock Detect Circuitry Mode                              |
|------|---|
| 0    | Not divided<br>Phase Detector Frequency $\leq$ 20 MHz (default) |
| 1    | Divided by 4<br>Phase Detector Frequency > 20 MHz               |

## 2.8 Register R13

### 2.8.1 VCO\_C3\_C4\_LF [3:0] -- Value for Internal Loop Filter Capacitors C3 and C4

These bits control the capacitor values for C3 and C4 in the internal loop filter.

| VCO_C3_C4_LF [3:0] | Loop Filter Capacitors |              |
|--------------------|------------------------|--------------|
|                    | C3 (pF)                | C4 (pF)      |
| 0                  | 0 (default)            | 10 (default) |
| 1                  | 0                      | 60           |
| 2                  | 50                     | 10           |
| 3                  | 0                      | 110          |
| 4                  | 50                     | 110          |
| 5                  | 100                    | 110          |
| 6                  | 0                      | 160          |
| 7                  | 50                     | 160          |
| 8                  | 100                    | 10           |
| 9                  | 100                    | 60           |
| 10                 | 150                    | 110          |
| 11                 | 150                    | 60           |
| 12 to 15           | Invalid                |              |

### 2.8.2 VCO\_R3\_LF [2:0] -- Value for Internal Loop Filter Resistor R3

These bits control the R3 resistor value in the internal loop filter. The recommended setting for VCO\_R3\_LF[2:0] = 0 for optimum phase noise and jitter.

| VCO_R3_LF[2:0] | R3 Value (k $\Omega$ )         |
|----------------|--------------------------------|
| 0              | Low (~600 $\Omega$ ) (default) |
| 1              | 10                             |
| 2              | 20                             |
| 3              | 30                             |
| 4              | 40                             |
| 5 to 7         | Invalid                        |

### 2.8.3 VCO\_R4\_LF [2:0] -- Value for Internal Loop Filter Resistor R4

These bits control the R4 resistor value in the internal loop filter. The recommended setting for VCO\_R4\_LF[2:0] = 0 for optimum phase noise and jitter.

| VCO_R4_LF[2:0] | R4 Value (k $\Omega$ )         |
|----------------|--------------------------------|
| 0              | Low (~200 $\Omega$ ) (default) |
| 1              | 10                             |
| 2              | 20                             |
| 3              | 30                             |
| 4              | 40                             |
| 5 to 7         | Invalid                        |

### 2.8.4 OSCin\_FREQ [7:0] -- Oscillator Input Calibration Adjustment

These bits are to be programmed to the OSCin frequency. If the OSCin frequency is not an integral multiple of 1 MHz, then round to the closest value.

| OSCin_FREQ [7:0] | OSCin Frequency  |
|------------------|------------------|
| 1                | 1 MHz            |
| 2                | 2 MHz            |
| ...              | ...              |
| 10               | 10 MHz (default) |
| ...              | ...              |
| 200              | 200 MHz          |
| 201 to 255       | Invalid          |

## 2.9 Register R14

### 2.9.1 PLL\_R [11:0] -- R Divider Value

These bits program the PLL R Divider and are programmed in binary fashion. Any changes to PLL\_R require R15 to be programmed again while 0\_DELAY\_MODE = 0 to active the frequency calibration routine.

| PLL_R [11:0] |   |   |   |   |   |   |   |   |   |   | PLL R Divide Value |              |
|--------------|---|---|---|---|---|---|---|---|---|---|--------------------|--------------|
| 0            | 0 | 0 | 0 | 0 | 0 | 0 | 0 | 0 | 0 | 0 | 0                  | Invalid      |
| 0            | 0 | 0 | 0 | 0 | 0 | 0 | 0 | 0 | 0 | 0 | 1                  | 1            |
| 0            | 0 | 0 | 0 | 0 | 0 | 0 | 0 | 0 | 0 | 1 | 0                  | 2            |
| .            | . | . | . | . | . | . | . | . | . | . | .                  | ...          |
| 0            | 0 | 0 | 0 | 0 | 0 | 0 | 0 | 1 | 0 | 1 | 0                  | 10 (default) |
| .            | . | . | . | . | . | . | . | . | . | . | .                  | ...          |
| 1            | 1 | 1 | 1 | 1 | 1 | 1 | 1 | 1 | 1 | 1 | 1                  | 4095         |

### 2.9.2 PLL\_MUX[3:0] -- Multiplexer Control for LD Pin

These bits set the output mode of the LD pin. The table below lists several different modes. Note that PLL\_MUX = 3 and PLL\_MUX = 4 have alternate functionality if DLD\_MODE2 (section 2.4.2 DLD\_MODE2 bit -- Digital Lock Detect Mode 2) is set.

| PLL_MUX [3:0] | Output Type     | LD Pin Function                                |
|---------------|-----------------|--|
| 0             | Hi-Z            | Disabled (default)                             |
| 1             | Push-Pull       | Logic High                                     |
| 2             | Push-Pull       | Logic Low                                      |
| 3             | Push-Pull       | Digital Lock Detect (Active High)<br>(Note 19) |
| 4             | Push-Pull       | Digital Lock Detect (Active Low)<br>(Note 20)  |
| 5             | Push-Pull       | Analog Lock Detect                             |
| 6             | Open Drain NMOS | Analog Lock Detect                             |
| 7             | Open Drain PMOS | Analog Lock Detect                             |
| 8             | Invalid         |  |
| 9             | Push-Pull       | N Divider Output/2 (50% Duty Cycle)            |
| 10            | Invalid         |  |
| 11            | Push-Pull       | R Divider Output/2 (50% Duty Cycle)            |
| 12 to 15      | Invalid         |  |

Analog Lock Detect outputs the state of the charge pump on the LD pin. While the charge pump is on, the LD pin is low. While the charge pump is off, the LD pin is high. By using two resistors, a capacitor, diode, and comparator a lock detect circuit may be constructed (Note 21). When in lock the charge pump will only turn on momentarily once every period of the phase detector frequency. "N Divider Output/2" and "R Divider Output/2" output half the frequency of the phase detector on the LD pin. When the device is locked, these frequencies should be the same. These options are useful for debugging.

**Note 19:** If DLD\_MODE2 is set, this functionality is redefined to "Frequency Calibration Routine Complete (Active High)." See 2.4.2 DLD\_MODE2 bit -- Digital Lock Detect Mode 2 for more information.

**Note 20:** If DLD\_MODE2 is set, this functionality is redefined to "Frequency Calibration Routine Complete (Active Low)." See 2.4.2 DLD\_MODE2 bit -- Digital Lock Detect Mode 2 for more information.

**Note 21:** For more information on lock detect circuits, see chapter 32 of PLL Performance, Simulation and Design Handbook, Fourth Edition by Dean Banerjee.

### 2.9.3 POWERDOWN bit -- Device Power Down

This bit can power down the device. Enabling this bit powers down the entire device and all blocks, regardless of the state of any of the other bits or pins.

| POWERDOWN bit | Mode                       |
|---------------|----------------------------|
| 0             | Normal Operation (default) |
| 1             | Entire Device Powered Down |

### 2.9.4 EN\_CLKout\_Global bit -- Global Clock Output Enable

This bit overrides the individual CLKoutX\_EN bits. When this bit is set to 0, all clock outputs are disabled, regardless of the state of any of the other bits or pins.

| EN_CLKout_Global bit | Clock Outputs              |
|----------------------|----------------------------|
| 0                    | All Off                    |
| 1                    | Normal Operation (default) |

### 2.9.5 EN\_Fout bit -- Fout port enable

This bit enables the Fout pin.

| EN_Fout bit | Fout Pin Status    |
|-------------|--------------------|
| 0           | Disabled (default) |
| 1           | Enabled            |

### 2.9.6 PLL\_R\_DLY [3:0] - Global Skew Adjust, Lag

These bits control the delay stage in front of the R input of the phase detector. The affect of adjusting this delay is to lag the phase of the clock outputs uniformly from the clock input phase by the specified amount.

| PLL_R_DLY[3:0] | Delay (ps)  |
|----------------|-------------|
| 0              | 0 (default) |
| 1              | 150         |
| 2              | 300         |
| 3              | 450         |
| 4              | 600         |
| 5              | 750         |
| 6              | 900         |
| 7              | 1050        |
| 8              | 1200        |
| 9              | 1350        |
| 10             | 1500        |
| 11             | 1650        |
| 12             | 1800        |
| 13             | 1950        |
| 14             | 2100        |
| 15             | 2250        |

## 2.10 REGISTER R15

Programming R15 also activates the frequency calibration routine while 0\_DELAY\_MODE = 0. Programming R15 also causes a global synchronization operation. See sections 2.4.3 0\_DELAY\_MODE bit -- Activate 0-Delay Mode and 1.6 GLOBAL CLOCK OUTPUT SYNCHRONIZATION respectively for more information.

### 2.10.1 PLL\_N [17:0] -- PLL N Divider

These bits program the divide value for the PLL N Divider. The PLL N Divider follows the VCO Divider and precedes the

PLL phase detector. Since the VCO Divider is also in the feedback path from the VCO to the PLL Phase Detector, the total N divide value,  $N_{Total}$ , is also influenced by the VCO Divider value.  $N_{Total} = PLL\ N\ Divider \times VCO\ Divider$ . The VCO frequency is calculated as,  $f_{VCO} = f_{OSCin} \times PLL\ N\ Divider \times VCO\ Divider / PLL\ R\ Divider$ . Since the PLL N divider is a pure binary counter there are no illegal divide values for PLL\_N [17:0] except for 0.

| PLL_N [17:0]                        | PLL N Divider Value |
|-------------------------------------|---------------------|
| 0 0 0 0 0 0 0 0 0 0 0 0 0 0 0 0 0 0 | Invalid             |
| 0 0 0 0 0 0 0 0 0 0 0 0 0 0 0 0 0 1 | 1                   |
| . . . . .                           | ...                 |
| 0 0 0 0 0 0 0 0 1 0 1 1 1 1 1 0 0 0 | 760 (default)       |
| . . . . .                           | ...                 |
| 1 1 1 1 1 1 1 1 1 1 1 1 1 1 1 1 1 1 | 262143              |

### 2.10.2 VCO\_DIV [3:0] -- VCO Divider

These bits program the divide value for the VCO Divider. The VCO Divider follows the VCO output and precedes the clock distribution blocks. Since the VCO Divider is in the feedback path from the VCO to the PLL phase detector the VCO Divider contributes to the total N divide value,  $N_{Total} = PLL\ N\ Divider \times VCO\ Divider$ . The VCO Divider can not be bypassed. See the programming section on the PLL N Divider for more information on setting the VCO frequency.

| VCO_DIV [3:0] | VCO Divider Value |
|---------------|-------------------|
| 0 0 0 0       | Invalid           |
| 0 0 0 1       | Invalid           |
| 0 0 1 0       | 2 (default)       |
| 0 0 1 1       | 3                 |
| 0 1 0 0       | 4                 |
| 0 1 0 1       | 5                 |
| 0 1 1 0       | 6                 |
| 0 1 1 1       | 7                 |
| 1 0 0 0       | 8                 |
| 1 0 0 1       | Invalid           |
| . . . .       | ...               |
| 1 1 1 1       | Invalid           |

### 2.10.3 PLL\_CP\_GAIN [1:0] -- PLL Charge Pump Gain

These bits set the charge pump gain of the PLL.

| PLL_CP_GAIN [1:0] | Charge Pump Gain |
|-------------------|------------------|
| 0                 | 1x (default)     |
| 1                 | 4x               |
| 2                 | 16x              |
| 3                 | 32x              |

2.10.4 PLL\_N\_DLY [3:0] - Global Skew Adjust, Lead

These bits control the delay stage in front of the N input of the phase detector. The affect of adjusting this delay is to lead the phase of the clock outputs uniformly from the clock input phase by the specified amount.

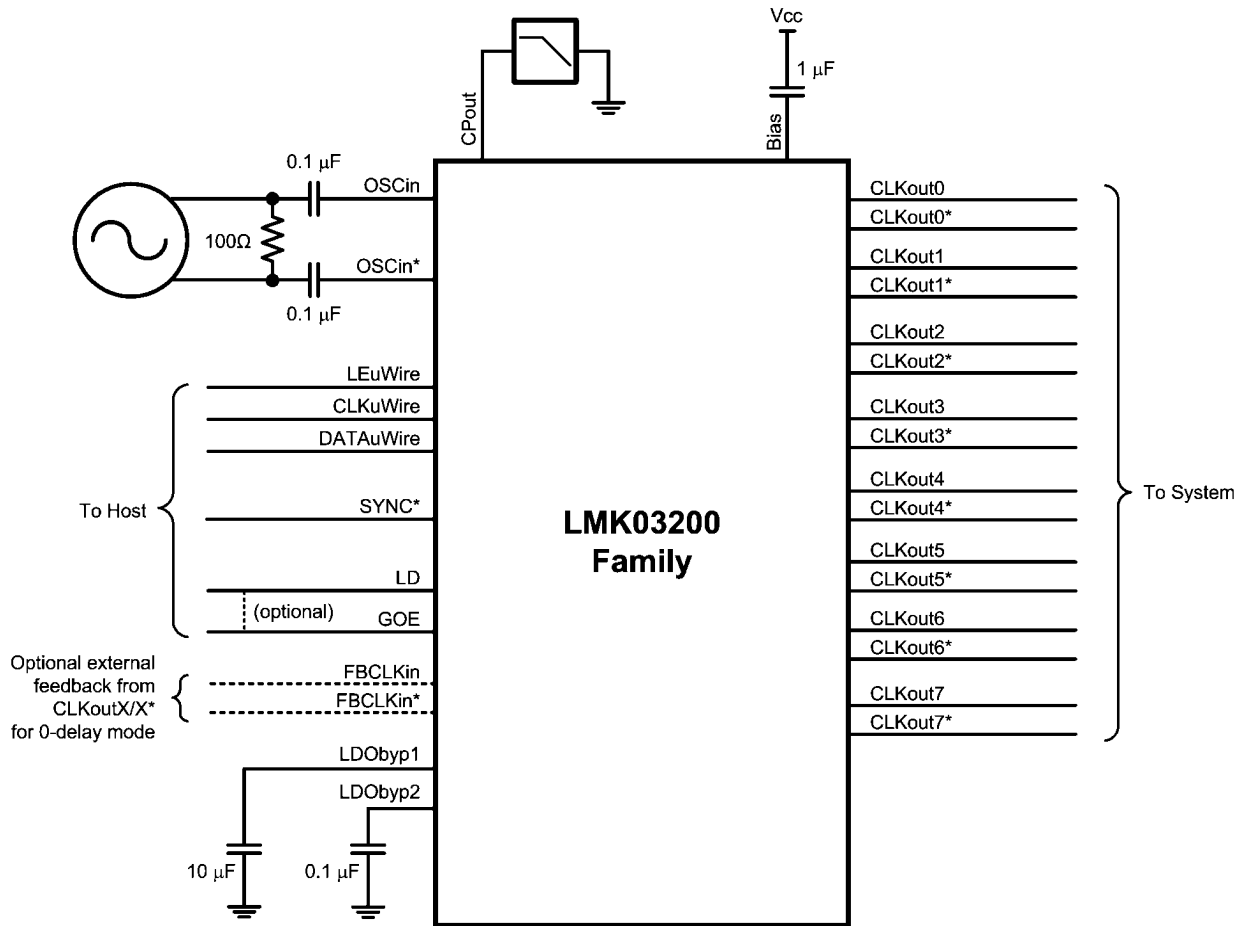
| PLL_N_DLY [3:0] | Delay (ps)  |
|-----------------|-------------|
| 0               | 0 (default) |
| 1               | 150         |
| 2               | 300         |
| 3               | 450         |
| 4               | 600         |
| 5               | 750         |

| PLL_N_DLY [3:0] | Delay (ps) |
|-----------------|------------|
| 6               | 900        |
| 7               | 1050       |
| 8               | 1200       |
| 9               | 1350       |
| 10              | 1500       |
| 11              | 1650       |
| 12              | 1800       |
| 13              | 1950       |
| 14              | 2100       |
| 15              | 2250       |

## 3.0 Application Information

查询"LMK03200"供应商

### 3.1 SYSTEM LEVEL DIAGRAM



30088770

FIGURE 6. Typical Application

Figure 6 shows an LMK03200 family device used in a typical application. In this setup the clock may be multiplied, reconditioned, and redistributed. Both the OSCin/OSCin\* and CLKoutX/CLKoutX\* pins can be used in a single-ended or a differential fashion, which is discussed later in this datasheet. The GOE pin needs to be high for the outputs to operate. One technique sometimes used is to take the output of the LD (Lock Detect) pin and use this as an input to the GOE pin. If this is done, then the outputs will turn off if lock detect circuit detects that the PLL is out of lock. The loop filter actually consists of seven components, but four of these components that

for the third and fourth poles of the loop filter are integrated in the chip. The first and second pole of the loop filter are external.

#### 3.2 BIAS PIN

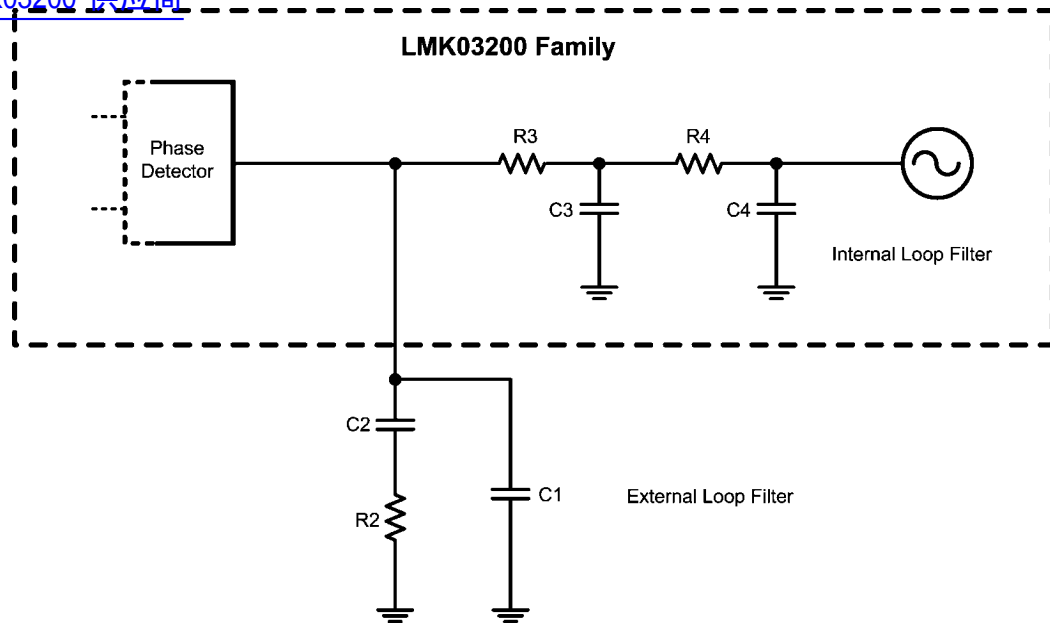
See section 1.1 BIAS PIN for more information.

#### 3.3 LDO BYPASS

See section 1.2 LDO BYPASS for more information.

## 3.4 LOOP FILTER

[查询"LMK03200"供应商](#)



30088771

FIGURE 7. Loop Filter

The internal charge pump is directly connected to the integrated loop filter components. The first and second pole of the loop filter are externally attached as shown in [Figure 7](#). When the loop filter is designed, it must be stable over the entire frequency band, meaning that the changes in  $K_{V_{tune}}$  from the low to high band specification will not make the loop filter unstable. The design of the loop filter is application specific and can be rather involved, but is discussed in depth in the Clock Conditioner Owner's Manual provided by National Semiconductor. When designing with the integrated loop filter of the LMK03200 family, considerations for minimum resistor thermal noise often lead one to the decision to design for the minimum value for integrated resistors, R3 and R4. Both the

integrated loop filter resistors and capacitors (C3 and C4) also restrict how wide the loop bandwidth the PLL can have. However, these integrated components do have the advantage that they are closer to the VCO and can therefore filter out some noise and spurs better than external components. For this reason, a common strategy is to minimize the internal loop filter resistors and then design for the largest internal capacitor values that permit a wide enough loop bandwidth. In some situations where spurs requirements are very stringent and there is margin on phase noise, it might make sense to design for a loop filter with integrated resistor values that are larger than their minimum value.



### 3.5 CURRENT CONSUMPTION / POWER DISSIPATION

#### CALCULATIONS

Due to the myriad of possible configurations the following table serves to provide enough information to allow the user to

calculate estimated current consumption of the device. Unless otherwise noted  $V_{CC} = 3.3\text{ V}$ ,  $T_A = 25\text{ }^\circ\text{C}$ .

**Table 3.5 - Block Current Consumption**

| Block   | Condition   | Current Consumption at 3.3 V (mA) | Power Dissipated in device (mW) | Power Dissipated in LVPECL emitter resistors (mW) |
|---|---|-----------------------------------|---------------------------------|---|
| Entire device, core current                         | All outputs off; No LVPECL emitter resistors connected                                  | 86.0                              | 283.8                           | -   |
| Low clock buffer (internal)                         | The low clock buffer is enabled anytime one of CLKout0 through CLKout3 are enabled      | 9                                 | 29.7                            | -   |
| High clock buffer (internal)                        | The high clock buffer is enabled anytime one of the CLKout4 through CLKout7 are enabled | 9                                 | 29.7                            | -   |
| Output buffers                                      | Fout buffer, EN_Fout = 1  | 14.5                              | 47.8                            | -   |
|   | LVDS output, Bypassed mode  | 17.8                              | 58.7                            | -   |
|   | LVPECL output, Bypassed mode (includes 120 $\Omega$ emitter resistors)                  | 40                                | 72                              | 60  |
|   | LVPECL output, disabled mode (includes 120 $\Omega$ emitter resistors)                  | 17.4                              | 38.3                            | 19.1  |
|   | LVPECL output, disabled mode. No emitter resistors placed; open outputs                 | 0                                 | 0                               | -   |
| Divide circuitry per output                         | Divide enabled, divide = 2  | 5.3                               | 17.5                            | -   |
|   | Divide enabled, divide > 2  | 8.5                               | 28.0                            | -   |
| Delay circuitry per output, PLL_R_DLY, or PLL_N_DLY | Delay enabled, delay < 8  | 5.8                               | 19.1                            | -   |
|   | Delay enabled, delay > 7  | 9.9                               | 32.7                            | -   |
| Entire device                                       | CLKout0 & CLKout4 enabled in Bypassed mode  | 161.8                             | 474                             | 60  |

From Table 3.5 the current consumption can be calculated in any configuration. For example, the current for the entire device with 1 LVDS (CLKout0) & 1 LVPECL (CLKout4) output in Bypassed mode can be calculated by adding up the following blocks: core current, low clock buffer, high clock buffer, one LVDS output buffer current, and one LVPECL output buffer current. There will also be one LVPECL output drawing emitter current, but some of the power from the current draw is dissipated in the external 120  $\Omega$  resistors which doesn't add to the power dissipation budget for the device. If delays or divides are switched in, then the additional current for these stages needs to be added as well.

For power dissipated by the device, the total current entering the device is multiplied by the voltage at the device minus the power dissipated in any emitter resistors connected to any of the LVPECL outputs. If no emitter resistors are connected to

the LVPECL outputs, this power will be 0 watts. For example, in the case of 1 LVDS (CLKout0) & 1 LVPECL (CLKout4) operating at 3.3 volts, we calculate  $3.3\text{ V} \times (86 + 9 + 9 + 17.8 + 40)\text{ mA} = 3.3\text{ V} \times 161.8\text{ mA} = 533.9\text{ mW}$ . Because the LVPECL output (CLKout4) has the emitter resistors hooked up and the power dissipated by these resistors is 60 mW, the total device power dissipation is  $533.9\text{ mW} - 60\text{ mW} = 473.9\text{ mW}$ .

When the LVPECL output is active, ~1.9 V is the average voltage on each output as calculated from the LVPECL Voh & Vol typical specification. Therefore the power dissipated in each emitter resistor is approximately  $(1.9\text{ V})^2 / 120\text{ } \Omega = 30\text{ mW}$ . When the LVPECL output is disabled, the emitter resistor voltage is ~1.07 V. Therefore the power dissipated in each emitter resistor is approximately  $(1.07\text{ V})^2 / 120\text{ } \Omega = 9.5\text{ mW}$ .

### 3.6 THERMAL MANAGEMENT

The power consumption of the LMK03200 family of devices can be high enough to require attention to thermal management. For reliability and performance reasons the die temperature should be limited to a maximum of 125 °C. That is, as an estimate,  $T_A$  (ambient temperature) plus device power consumption times  $\theta_{JA}$  should not exceed 125 °C.

The package of the device has an exposed pad that provides the primary heat removal path as well as excellent electrical grounding to the printed circuit board. To maximize the removal of heat from the package a thermal land pattern including multiple vias to a ground plane must be incorporated on the PCB within the footprint of the package. The exposed pad must be soldered down to ensure adequate heat conduction out of the package. A recommended land and via pattern can be downloaded from National's packaging website. See LLP footprint gerbers at: <http://www.national.com/analog/packaging/gerber>.

To minimize junction temperature it is recommended that a simple heat sink be built into the PCB (if the ground plane layer is not exposed). This is done by including a copper area of about 2 square inches on the opposite side of the PCB from the device. This copper area may be plated or solder coated to prevent corrosion but should not have conformal coating (if possible), which could provide thermal insulation. The vias should top and bottom copper layers to the ground layer. These vias act as "heat pipes" to carry the thermal energy away from the device side of the board to where it can be more effectively dissipated.

### 3.7 TERMINATION AND USE OF CLOCK OUTPUTS (DRIVERS)

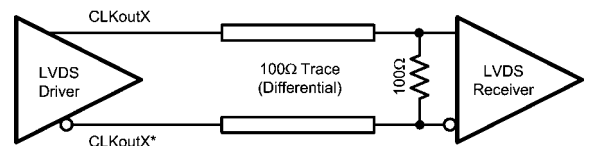
When terminating clock drivers keep in mind these guidelines for optimum phase noise and jitter performance:

- Transmission line theory should be followed for good impedance matching to prevent reflections.
- Clock drivers should be presented with the proper loads. For example:
  - LVDS drivers are current drivers and require a closed current loop.
  - LVPECL drivers are open emitter and require a DC path to ground.
- Receivers should be presented with a signal biased to their specified DC bias level (common mode voltage) for proper operation. Some receivers have self-biasing inputs that automatically bias to the proper voltage level. In this case, the signal should normally be AC coupled.

It is possible to drive a non-LVPECL or non-LVDS receiver with a LVDS or LVPECL driver as long as the above guidelines are followed. Check the datasheet of the receiver or input being driven to determine the best termination and coupling method to be sure that the receiver is biased at its optimum DC voltage (common mode voltage). For example, when driving the OSCin/OSCin\* input of the LMK03200 family, OSCin/OSCin\* should be AC coupled because OSCin/OSCin\* biases the signal to the proper DC level, see [Figure 6](#). This is only slightly different from the AC coupled cases described in 3.7.2 because the DC blocking capacitors are placed between the termination and the OSCin/OSCin\* pins, but the concept remains the same, which is the receiver (OSCin/OSCin\*) set the input to the optimum DC bias voltage (common mode voltage), not the driver.

#### 3.7.1 Termination for DC Coupled Differential Operation

For DC coupled operation of an LVDS driver, terminate with 100  $\Omega$  as close as possible to the LVDS receiver as shown in [Figure 8](#). The LVDS driver will provide the DC bias level for the LVDS receiver.

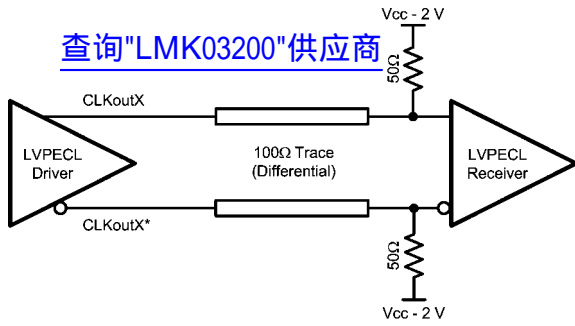


30088720

**FIGURE 8. Differential LVDS Operation, DC Coupling**

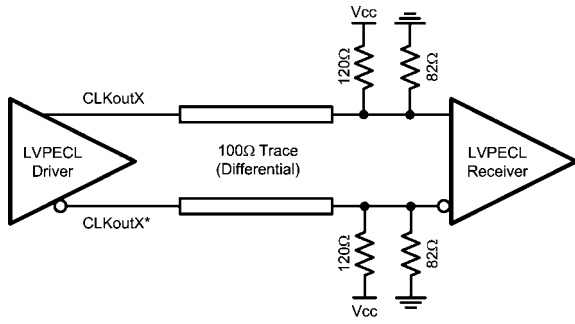
For DC coupled operation of an LVPECL driver, terminate with 50  $\Omega$  to  $V_{CC} - 2$  V as shown in [Figure 9](#). Alternatively terminate with a Thevenin equivalent circuit (120  $\Omega$  resistor connected to  $V_{CC}$  and an 82  $\Omega$  resistor connected to ground with the driver connected to the junction of the 120  $\Omega$  and 82  $\Omega$  resistors) as shown in [Figure 10](#) for  $V_{CC} = 3.3$  V.

[查询"LMK03200"供应商](#)



30088718

**FIGURE 9. Differential LVPECL Operation, DC Coupling**



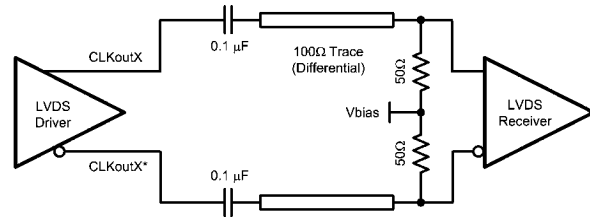
30088721

**FIGURE 10. Differential LVPECL Operation, DC Coupling, Thevenin Equivalent**

### 3.7.2 Termination for AC Coupled Differential Operation

AC coupling allows for shifting the DC bias level (common mode voltage) when driving different receiver standards. Since AC coupling prevents the driver from providing a DC bias voltage at the receiver it is important to ensure the receiver is biased to its ideal DC level.

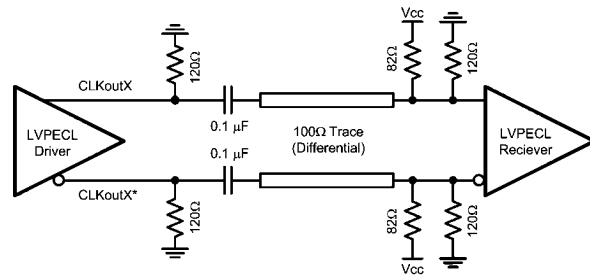
When driving LVDS receivers with an LVDS driver, the signal may be AC coupled by adding DC blocking capacitors, however the proper DC bias point needs to be established at the receiver. One way to do this is with the termination circuitry in Figure 11.



30088719

**FIGURE 11. Differential LVDS Operation, AC Coupling**

LVPECL drivers require a DC path to ground. When AC coupling an LVPECL signal use 120 Ω emitter resistors close to the LVPECL driver to provide a DC path to ground as shown in Figure 12. For proper receiver operation, the signal should be biased to the DC bias level (common mode voltage) specified by the receiver. The typical DC bias voltage (common mode voltage) for LVPECL receivers is 2 V. A Thevenin equivalent circuit (82 Ω resistor connected to Vcc and a 120 Ω resistor connected to ground with the driver connected to the junction of the 82 Ω and 120 Ω resistors) is a valid termination as shown in Figure 12 for Vcc = 3.3 V. Note this Thevenin circuit is different from the DC coupled example in Figure 10.



30088717

**FIGURE 12. Differential LVPECL Operation, AC Coupling, Thevenin Equivalent**

3.7.3 Termination for Single-Ended Operation

It is possible to use either LVDS or LVPECL drivers to convert the balanced, differential signal into an unbalanced, single-ended signal.

It is possible to use an LVPECL driver as one or two separate 800 mV p-p signals. When DC coupling one of the LMK03200 family clock LVPECL drivers, the termination should still be 50 ohms to  $V_{CC} - 2\text{ V}$  as shown in Figure 13. Again the Thevenin equivalent circuit ( $120\ \Omega$  resistor connected to  $V_{CC}$  and an  $82\ \Omega$  resistor connected to ground with the driver connected to the junction of the  $120\ \Omega$  and  $82\ \Omega$  resistors) is a valid termination as shown in Figure 14 for  $V_{CC} = 3.3\text{ V}$ .

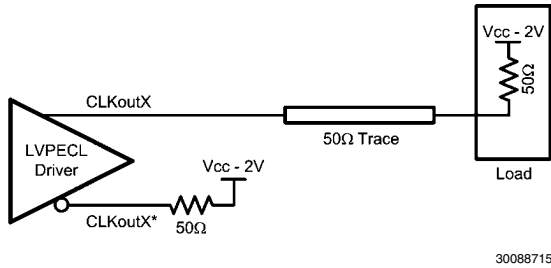


FIGURE 13. Single-Ended LVPECL Operation, DC Coupling

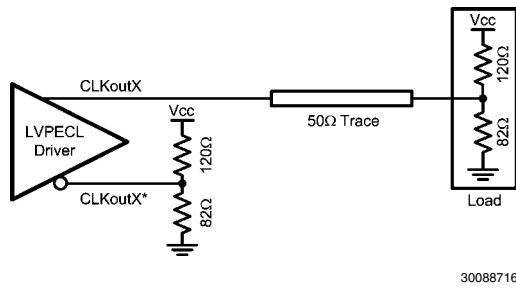


FIGURE 14. Single-Ended LVPECL Operation, DC Coupling, Thevenin Equivalent

When AC coupling an LVPECL driver use a  $120\ \Omega$  emitter resistor to provide a DC path to ground and ensure a 50 ohm termination with the proper DC bias level for the receiver. The typical DC bias voltage for LVPECL receivers is 2 V (See 3.7.2). If the other driver is not used it should be terminated with either a proper AC or DC termination. This latter example of AC coupling a single-ended LVPECL signal can be used to measure single-ended LVPECL performance using a spectrum analyzer or phase noise analyzer. When using most RF test equipment no DC bias point (0 V DC) is expected for safe and proper operation. The internal 50 ohm termination the test equipment correctly terminates the LVPECL driver being measured as shown in . When using only one LVPECL driver of a CLKoutX/CLKoutX\* pair, be sure to properly terminated the unused driver.

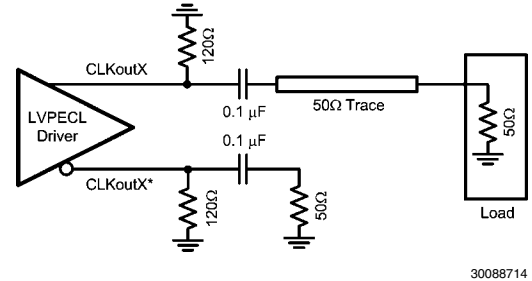


FIGURE 15. Single-Ended LVPECL Operation, AC Coupling

3.7.4 Conversion to LVCMOS Outputs

To drive an LVCMOS input with an LMK03200 family LVDS or LVPECL output, an LVPECL/LVDS to LVCMOS converter such as National Semiconductor's DS90LV018A, DS90LV028A, DS90LV048A, etc. is required. For best noise performance, LVPECL provides a higher voltage swing into input of the converter.

3.8 OSCin INPUT

In addition to LVDS and LVPECL inputs, OSCin can also be driven with a sine wave. The OSCin input can be driven single-ended or differentially with sine waves. The configurations for these are shown in Figure 16 and Figure 17.

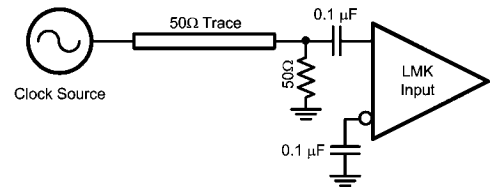


FIGURE 16. Single-Ended Sine Wave Input

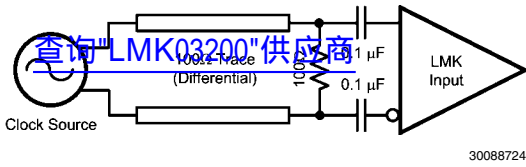


FIGURE 17. Differential Sine Wave Input

Figure 18 shows the recommended power level for sine wave operation for both differential and single-ended sources over frequency. The part will operate at power levels below the recommended power level, but as power decreases the PLL noise performance will degrade. The VCO noise performance will remain constant. At the recommended power level the PLL phase noise degradation from full power operation (8 dBm) is less than 2 dB.

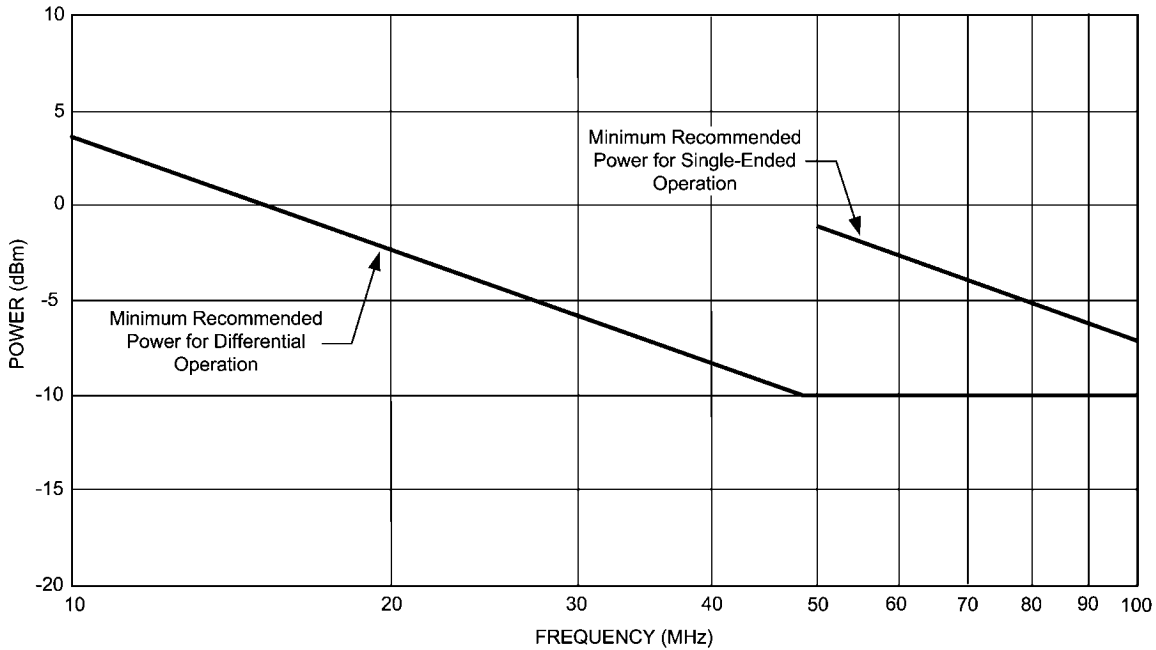


FIGURE 18. Recommended OSCin Power for Operation with a Sine Wave Input

### 3.9 MORE THAN EIGHT OUTPUTS WITH AN LMK03200 FAMILY DEVICE

The LMK03200 family devices include eight outputs. When more than 8 outputs are required the footprint compatible LMK01000 family may be used for clock distribution. By using

an LMK03200 device with eight LMK01000 family devices up to 64 clocks may be distributed in many different LVDS / LVPECL combinations. It's possible to distribute more than 64 clocks by adding more LMK01000 family devices. Refer to AN-1864 for more details.

### 3.10 DIFFERENTIAL VOLTAGE MEASUREMENT

查询“LMK03200”供应商

The differential voltage of a differential signal can be described by two different definitions causing confusion when reading datasheets or communicating with other engineers. This section will address the measurement and description of a differential signal so that the reader will be able to understand and discern between the two different definitions when used.

The first definition used to describe a differential signal is the absolute value of the voltage potential between the inverting and non-inverting signal. The symbol for this first measurement is typically  $V_{ID}$  or  $V_{OD}$  depending on if an input or output voltage is being described.

The second definition used to describe a differential signal is to measure the potential of the non-inverting signal with respect to the inverting signal. The symbol for this second measurement is  $V_{SS}$  and is a calculated parameter. Nowhere in the IC does this signal exist with respect to ground, it only exists in reference to its differential pair.  $V_{SS}$  can be measured directly by oscilloscopes with floating references, otherwise this value can be calculated as twice the value of  $V_{OD}$  as described in the first description.

Figure 19 and Figure 20 illustrate the two different definitions side-by-side for inputs and outputs respectively. The  $V_{ID}$  and  $V_{OD}$  definitions show  $V_A$  and  $V_B$  DC levels that the non-inverting and inverting signals toggle between with respect to ground.  $V_{SS}$  input and output definitions show that if the inverting signal is considered the reference, the non-inverting signal voltage potential is now increasing and decreasing above and below the non-inverting reference. Thus the peak-to-peak voltage of the differential signal can be measured. Hence  $V_{ID}$  and  $V_{OD}$  are often defined as volts (V) and  $V_{SS}$  is often defined as volts peak-to-peak ( $V_{pp}$ ).

Refer to application note AN-912 Common Data Transmission Parameters and their Definitions for more information.

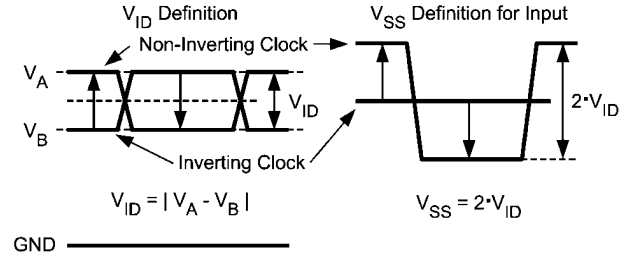


FIGURE 19. Two Different Definitions for Differential Input Signals

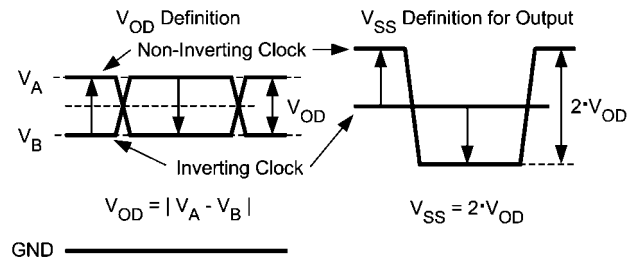
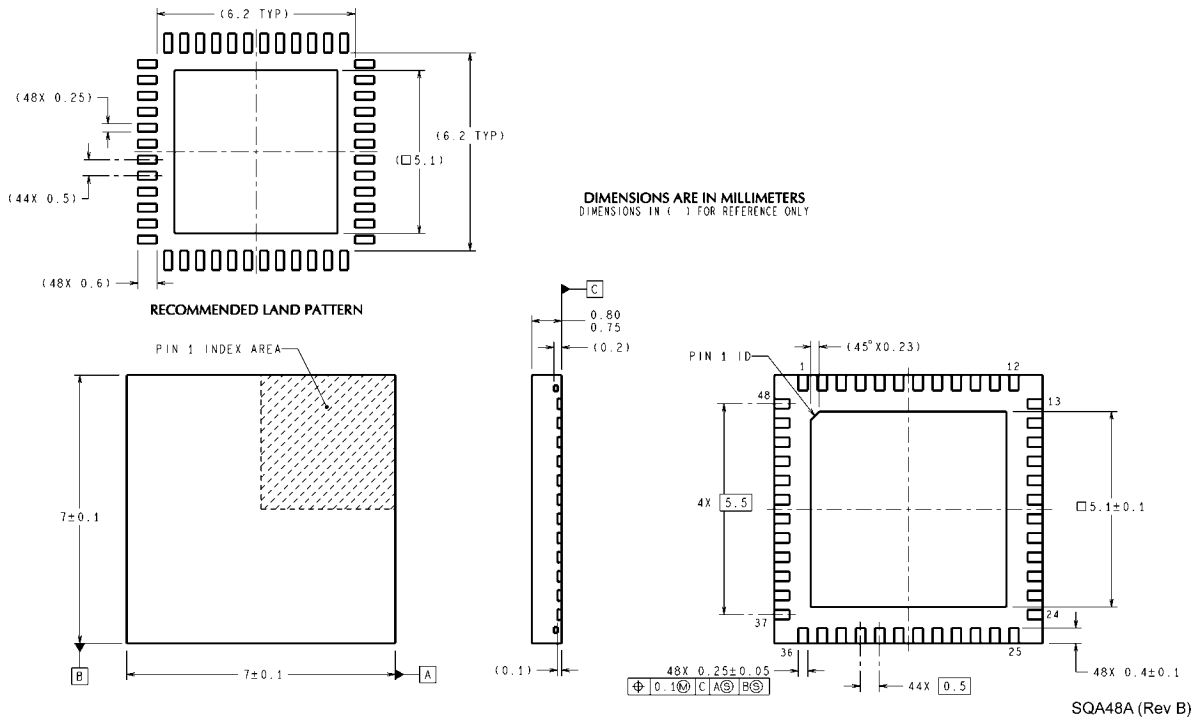


FIGURE 20. Two Different Definitions for Differential Output Signals

**Physical Dimensions** inches (millimeters) unless otherwise noted  
[查询"LMK03200"供应商](#)



**Leadless Leadframe Package (Bottom View)  
 48 Pin LLP (SQA48A) Package**

**Ordering Information**

| Order Number | VCO Version | Performance Grade | Packing                 | Package Marking |
|--------------|-------------|-------------------|-------------------------|-----------------|
| LMK03200ISQX | 1.24 GHz    | 800 fs            | 2500 Unit Tape and Reel | K3200 I         |
| LMK03200ISQ  | 1.24 GHz    | 800 fs            | 1000 Unit Tape and Reel | K3200 I         |
| LMK03200ISQE | 1.24 GHz    | 800 fs            | 250 Unit Tape and Reel  | K3200 I         |

[查询"LMK03200"供应商](#)

## Notes

For more National Semiconductor product information and proven design tools, visit the following Web sites at:

| Products                       |  | Design Support               |  |
|--------------------------------|--|------------------------------|--|
| Amplifiers                     | <a href="http://www.national.com/amplifiers">www.national.com/amplifiers</a> | WEBENCH® Tools               | <a href="http://www.national.com/webench">www.national.com/webench</a>             |
| Audio                          | <a href="http://www.national.com/audio">www.national.com/audio</a>           | App Notes                    | <a href="http://www.national.com/appnotes">www.national.com/appnotes</a>           |
| Clock and Timing               | <a href="http://www.national.com/timing">www.national.com/timing</a>         | Reference Designs            | <a href="http://www.national.com/refdesigns">www.national.com/refdesigns</a>       |
| Data Converters                | <a href="http://www.national.com/adc">www.national.com/adc</a>               | Samples                      | <a href="http://www.national.com/samples">www.national.com/samples</a>             |
| Interface                      | <a href="http://www.national.com/interface">www.national.com/interface</a>   | Eval Boards                  | <a href="http://www.national.com/evalboards">www.national.com/evalboards</a>       |
| LVDS                           | <a href="http://www.national.com/lvds">www.national.com/lvds</a>             | Packaging                    | <a href="http://www.national.com/packaging">www.national.com/packaging</a>         |
| Power Management               | <a href="http://www.national.com/power">www.national.com/power</a>           | Green Compliance             | <a href="http://www.national.com/quality/green">www.national.com/quality/green</a> |
| Switching Regulators           | <a href="http://www.national.com/switchers">www.national.com/switchers</a>   | Distributors                 | <a href="http://www.national.com/contacts">www.national.com/contacts</a>           |
| LDOs                           | <a href="http://www.national.com/ldo">www.national.com/ldo</a>               | Quality and Reliability      | <a href="http://www.national.com/quality">www.national.com/quality</a>             |
| LED Lighting                   | <a href="http://www.national.com/led">www.national.com/led</a>               | Feedback/Support             | <a href="http://www.national.com/feedback">www.national.com/feedback</a>           |
| Voltage Reference              | <a href="http://www.national.com/vref">www.national.com/vref</a>             | Design Made Easy             | <a href="http://www.national.com/easy">www.national.com/easy</a>                   |
| PowerWise® Solutions           | <a href="http://www.national.com/powerwise">www.national.com/powerwise</a>   | Solutions                    | <a href="http://www.national.com/solutions">www.national.com/solutions</a>         |
| Serial Digital Interface (SDI) | <a href="http://www.national.com/sdi">www.national.com/sdi</a>               | Mil/Aero                     | <a href="http://www.national.com/milaero">www.national.com/milaero</a>             |
| Temperature Sensors            | <a href="http://www.national.com/tempensors">www.national.com/tempensors</a> | SolarMagic™                  | <a href="http://www.national.com/solarmagic">www.national.com/solarmagic</a>       |
| Wireless (PLL/VCO)             | <a href="http://www.national.com/wireless">www.national.com/wireless</a>     | PowerWise® Design University | <a href="http://www.national.com/training">www.national.com/training</a>           |

THE CONTENTS OF THIS DOCUMENT ARE PROVIDED IN CONNECTION WITH NATIONAL SEMICONDUCTOR CORPORATION ("NATIONAL") PRODUCTS. NATIONAL MAKES NO REPRESENTATIONS OR WARRANTIES WITH RESPECT TO THE ACCURACY OR COMPLETENESS OF THE CONTENTS OF THIS PUBLICATION AND RESERVES THE RIGHT TO MAKE CHANGES TO SPECIFICATIONS AND PRODUCT DESCRIPTIONS AT ANY TIME WITHOUT NOTICE. NO LICENSE, WHETHER EXPRESS, IMPLIED, ARISING BY ESTOPPEL OR OTHERWISE, TO ANY INTELLECTUAL PROPERTY RIGHTS IS GRANTED BY THIS DOCUMENT.

TESTING AND OTHER QUALITY CONTROLS ARE USED TO THE EXTENT NATIONAL DEEMS NECESSARY TO SUPPORT NATIONAL'S PRODUCT WARRANTY. EXCEPT WHERE MANDATED BY GOVERNMENT REQUIREMENTS, TESTING OF ALL PARAMETERS OF EACH PRODUCT IS NOT NECESSARILY PERFORMED. NATIONAL ASSUMES NO LIABILITY FOR APPLICATIONS ASSISTANCE OR BUYER PRODUCT DESIGN. BUYERS ARE RESPONSIBLE FOR THEIR PRODUCTS AND APPLICATIONS USING NATIONAL COMPONENTS. PRIOR TO USING OR DISTRIBUTING ANY PRODUCTS THAT INCLUDE NATIONAL COMPONENTS, BUYERS SHOULD PROVIDE ADEQUATE DESIGN, TESTING AND OPERATING SAFEGUARDS.

EXCEPT AS PROVIDED IN NATIONAL'S TERMS AND CONDITIONS OF SALE FOR SUCH PRODUCTS, NATIONAL ASSUMES NO LIABILITY WHATSOEVER, AND NATIONAL DISCLAIMS ANY EXPRESS OR IMPLIED WARRANTY RELATING TO THE SALE AND/OR USE OF NATIONAL PRODUCTS INCLUDING LIABILITY OR WARRANTIES RELATING TO FITNESS FOR A PARTICULAR PURPOSE, MERCHANTABILITY, OR INFRINGEMENT OF ANY PATENT, COPYRIGHT OR OTHER INTELLECTUAL PROPERTY RIGHT.

#### LIFE SUPPORT POLICY

**NATIONAL'S PRODUCTS ARE NOT AUTHORIZED FOR USE AS CRITICAL COMPONENTS IN LIFE SUPPORT DEVICES OR SYSTEMS WITHOUT THE EXPRESS PRIOR WRITTEN APPROVAL OF THE CHIEF EXECUTIVE OFFICER AND GENERAL COUNSEL OF NATIONAL SEMICONDUCTOR CORPORATION.** As used herein:

Life support devices or systems are devices which (a) are intended for surgical implant into the body, or (b) support or sustain life and whose failure to perform when properly used in accordance with instructions for use provided in the labeling can be reasonably expected to result in a significant injury to the user. A critical component is any component in a life support device or system whose failure to perform can be reasonably expected to cause the failure of the life support device or system or to affect its safety or effectiveness.

National Semiconductor and the National Semiconductor logo are registered trademarks of National Semiconductor Corporation. All other brand or product names may be trademarks or registered trademarks of their respective holders.

Copyright© 2009 National Semiconductor Corporation

For the most current product information visit us at [www.national.com](http://www.national.com)



**National Semiconductor Americas Technical Support Center**  
 Email: [support@nsc.com](mailto:support@nsc.com)  
 Tel: 1-800-272-9959

**National Semiconductor Europe Technical Support Center**  
 Email: [europe.support@nsc.com](mailto:europe.support@nsc.com)

**National Semiconductor Asia Pacific Technical Support Center**  
 Email: [ap.support@nsc.com](mailto:ap.support@nsc.com)

**National Semiconductor Japan Technical Support Center**  
 Email: [jpn.feedback@nsc.com](mailto:jpn.feedback@nsc.com)