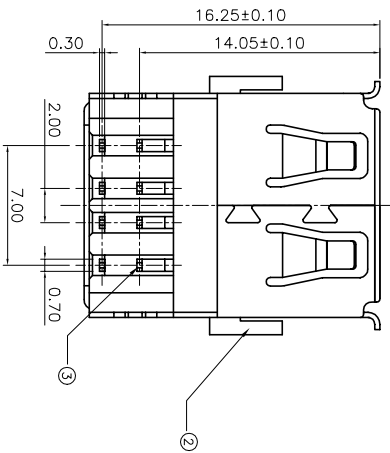


1 NOTE:  
020122MR008□□11ZU

- Selective plating  
 \*S1-05u" Min. gold in contact area/  
 100u" Min. Tin in solder area.  
 \*S2-Gold flash in contact area/  
 100u" Min. Tin in solder area.  
 \*S3-10u" Min. gold in contact area/  
 100u" Min. Tin in solder area.  
 \*S4-15u" Min. gold in contact area/  
 100u" Min. Tin in solder area.  
 \*S5-30u" Min. gold in contact area/  
 100u" Min. Tin in solder area.  
 \*S6-50u" Min. gold in contact area/  
 100u" Min. Tin in solder area.



5	Top Shell	Stainless Steel	—	NI
4	Middle Shell	Stainless Steel	—	NI
3	Terminal	Phos.Bronze	—	GL/D/TIN
2	Shell	Stainless Steel	—	NI
1	Plastic	LCP	BLACK	UL90V-0

**SUYN**  
CONNECTOR

CUSTOMER TITLE: USB Series A Type  
Dual Port Dip Type

PART NO.	020122MR008SX11ZU
PART NO. (OLD)	2522A-08GXT-K
DRAWING NO.	020122MR008SX11ZU
SCALE	4:1
UNIT	mm
	A4

ECN (DCN)	NO.	REV	DATE	DESCRIPTION	CHANGE	APPRO.	GENERAL TOLERANCE UNLESS OTHERWISE NOTED	ANGLE	DRAW	DESIGN	CHECK	APPRO.	SCALE
	114-07	D	02/11/14	E1:增加新料號	宋勁逸	宋耀哲	±2°	30	李儒平	李儒平	張志瑋	01/06/26	
	0823-03	C	02/09/23	D1:增加釦孔;D2:修改鐵殼彈片	宋勁逸	宋耀哲	±0.50	~	李儒平	李儒平	張志瑋	01/06/26	
	020718-06	B	02/07/18	C1:變更PAD方向 取消系列號,變更料號	周濤	李耀平	±0.30	~	張志瑋	張志瑋	張志瑋	01/06/26	

向"020122MR008S111ZU"供應商