

[查询"FAR-F4SE-44M000-H0A3"供应商](#)

Customer Name	<b>Standard specification</b>	FUJITSU MEDIA DEVICES LIMITED	
System	TV-IF	DATE	Aug.12 2004
FMD Part Number	FAR-F4SE-44M000-H0A3	Version 1.0	

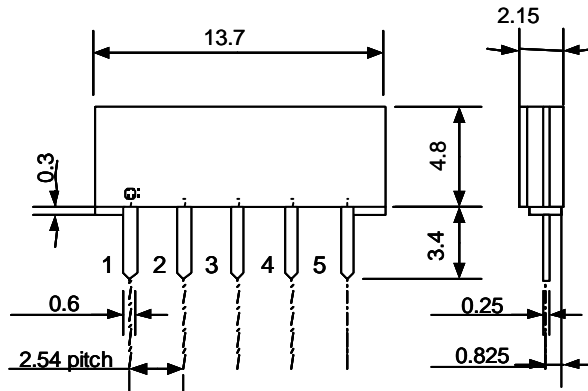
**Table 1. Electrical specifications**

Ta=25 °C (45 °C)						
Item	Condition (MHz)	FMD Proposal			Unit	Remarks
		Min.	Typ.	Max.		
Insertion Loss	44.060(44.000)	12.5	14.0	15.5	dB	
Band Width	1dB down	-	3.6	-	MHz	
	3dB down	-	4.0	-	MHz	
	30dB down	-	5.5	-	MHz	
Relative Attenuation	40.810(40.750)	-	-43	-36	dB	
	42.060(42.000)	-3.6	-2.4	-1.2	dB	
	42.530(42.470)	-1.1	-0.1	0.9	dB	
	44.060(44.000)	-	0	-	dB	Ref.
	45.590(45.530)	-1.1	-0.1	0.9	dB	
	46.060(46.000)	-4.7	-3.5	-2.3	dB	
	46.810(46.750)	-	-38	-29	dB	
	Lower sidelobe 35.060 – 39.060 (35.000 – 39.000)	-	-45	-40	dB	
	39.060 – 41.060 (39.000 – 41.000)	-	-39	-35	dB	
	Upper sidelobe 47.060 – 49.060 (47.000 – 49.000)	-	-36	-33	dB	
49.060 – 55.060 (49.000 – 55.000)	-	-41	-36	dB		
Amplitude Ripple (p-p)	42.530 – 45.590 (42.470 – 45.530)	-	0.3	0.7	dB	
Group delay Ripple (p-p)	42.530 – 45.590 (42.470 – 45.530)	-	30	70	ns	
Capacitance at 1MHz	Cin	-	13.2	-	pF	
	Cout	-	2.4	-	pF	
Temperature drift	Cf	-	-72	-	ppm/°C	



[查询"FAR-F4SE-44M000-H0A3"供应商](#)

Customer Name	<b>Standard specification</b>	FUJITSU MEDIA DEVICES LIMITED	
System	TV-IF	DATE	Aug.12 2004
FMD Part Number	FAR-F4SE-44M000-H0A3	Version 1.0	



Pin No. 1	INPUT
2	INPUT
3	GROUND
4	OUTPUT
5	OUTPUT

Figure 1. Package Dimension

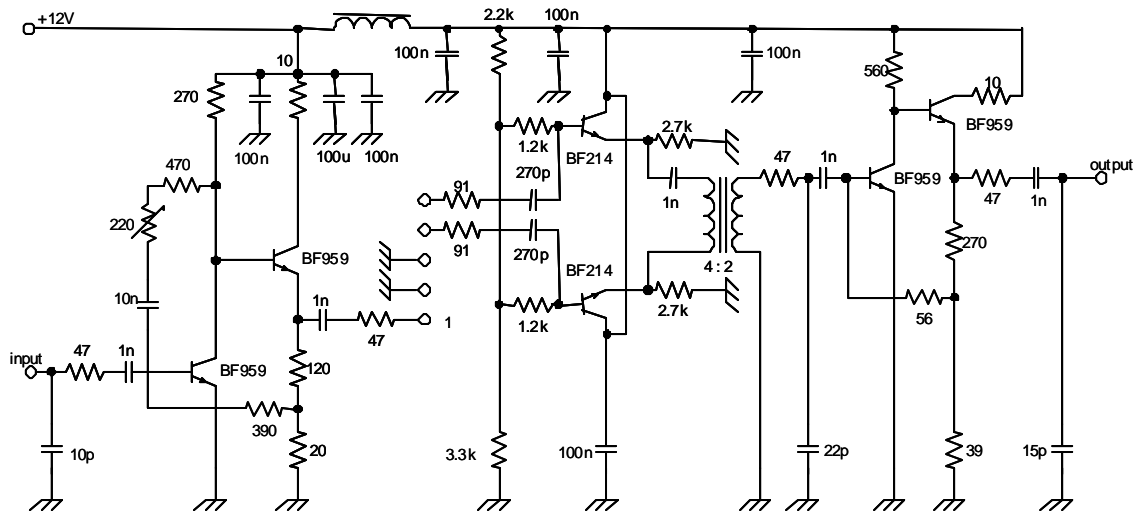
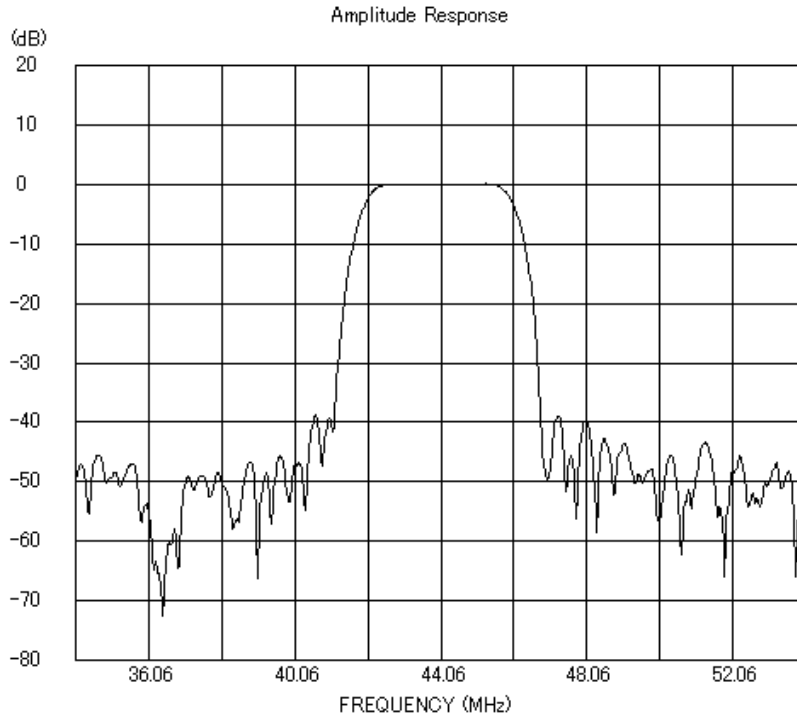


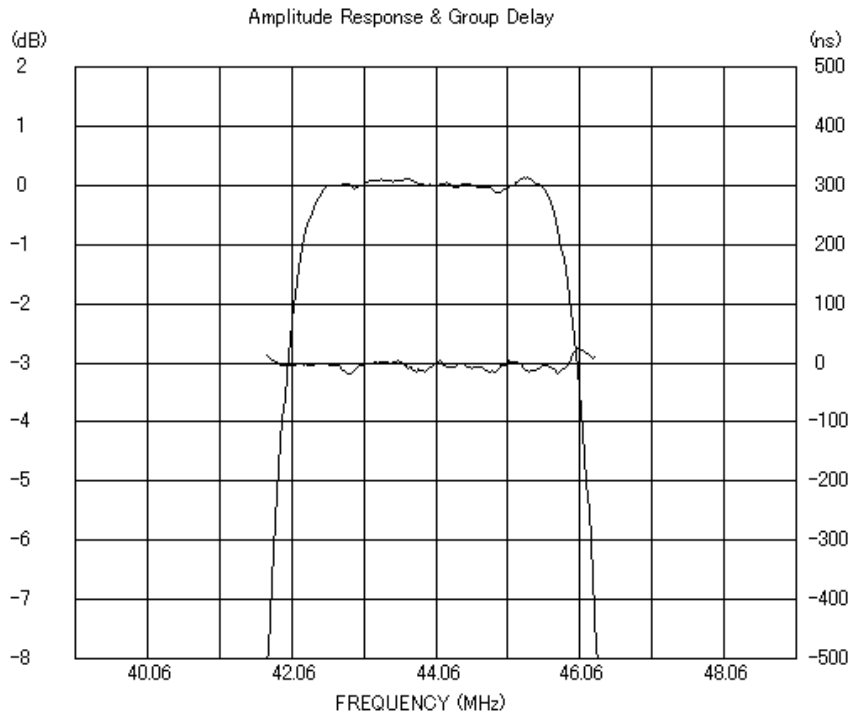
Figure 2. Measurement Circuit

[查询"FAR-F4SE-44M000-H0A3"供应商](#)

Customer Name	<b>Standard specification</b>	FUJITSU MEDIA DEVICES LIMITED	
System	TV-IF	DATE	Aug.12 2004
FMD Part Number	FAR-F4SE-44M000-H0A3	Version 1.0	



**Figure 3. Full-band characteristics**



**Figure 4. Pass-band and group delay characteristics**

**This datasheet has been downloaded from:**

**[www.EEworld.com.cn](http://www.EEworld.com.cn)**

**Free Download**

**Daily Updated Database**

**100% Free Datasheet Search Site**

**100% Free IC Replacement Search Site**

**Convenient Electronic Dictionary**

**Fast Search System**

**[www.EEworld.com.cn](http://www.EEworld.com.cn)**