

All Band TV Tuner IC with On-chip PLL**Description**

The CXA3252N is a monolithic TV tuner IC which integrates local oscillator and mixer circuits for VHF band, local oscillator and mixer circuits for UHF band, an IF amplifier and a tuning PLL onto a single chip, enabling further miniaturization of the tuner.

Features

- Superior cross modulation
- Supports both IF double-tuned filter and adjacent channel trap.
- Balanced UHF oscillator (4 pins) with excellent oscillation stability
- Supports both I²C and 3-wire bus modes
- Automatic identification of 18, 19 or 27-bit control (during 3-wire bus mode)
- On-chip high voltage drive transistor for charge pump
- Reference frequency selectable from 31.25, 50 or 62.5 kHz (when using a 4 MHz crystal)
- Low-phase noise synthesizer
- On-chip 4-output band switch (supports output voltages from 5 to 9 V)
- 32 pin SSOP

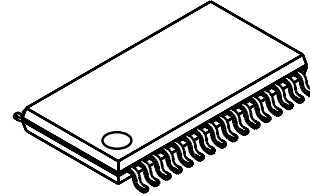
Applications

- TV tuners
- VCR tuners
- CATV tuners

Structure

Bipolar silicon monolithic IC

32 pin SSOP (Plastic)

**Absolute Maximum Ratings** (Ta=25 °C)

- Supply voltage V_{cc1}, V_{cc2} -0.3 to + 5.5 V
- V_{cc3} -0.3 to +10.0 V
- Storage temperature T_{stg} -55 to + 150 °C
- Allowable power dissipation

Operating Conditions

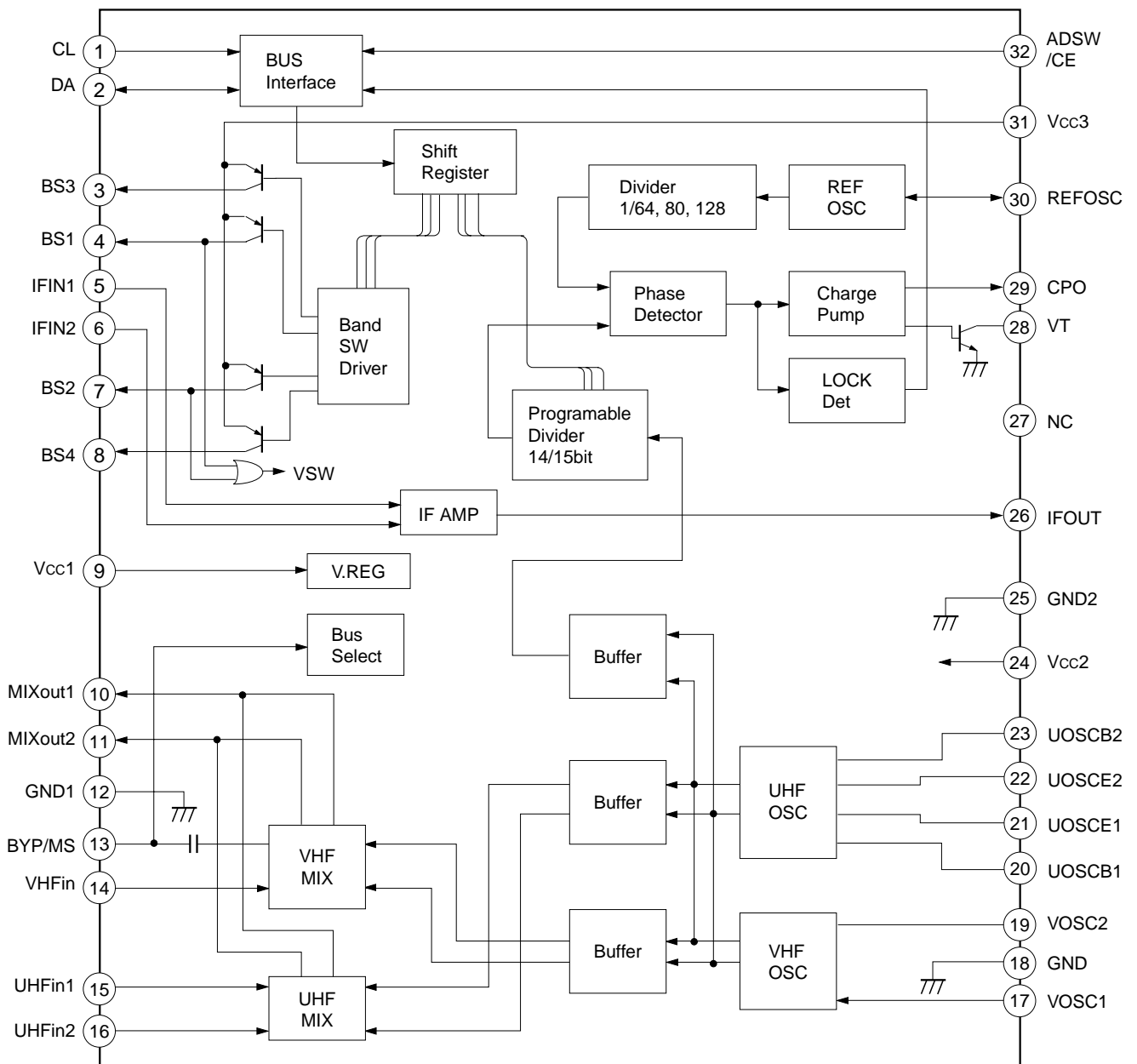
- Supply voltage V_{cc1}, V_{cc2} 4.75 to 5.30 V
 - V_{cc3} 4.75 to 9.45 V
 - Operating temperature T_{opr} -25 to +75 °C
 - P_D 580 mW
- (when mounted on a printed circuit board)

This IC has the pins whose electrostatic discharge strength is weak as the operating frequency is high and the high-frequency process is used for this IC. Take care of handling the IC.

Sony reserves the right to change products and specifications without prior notice. This information does not convey any license by any implication or otherwise under any patents or other right. Application circuits shown, if any, are typical examples illustrating the operation of the devices. Sony cannot assume responsibility for any problems arising out of the use of these circuits.

[查询"CXA3252N"供应商](#)

Block Diagram and Pin Configuration



[查询"CXA3252N"供应商](#)

Pin Description

Pin No.	Symbol	Description
1	CL	CLOCK/SCL (I ² C bus)
2	DA	DATA/SDA (I ² C bus)
3	BS3	Band switch output 3
4	BS1	Band switch output 1 (VHF low band)
5	IFIN1	IF amplifier input 1
6	IFIN2	IF amplifier input 2
7	BS2	Band switch output 2 (VHF high band)
8	BS4	Band switch output 4
9	VCC1	Analog circuit Vcc
10	MIXOUT1	MIX output (open collector)
11	MIXOUT2	MIX output (open collector)
12	GND1	Analog circuit GND
13	BYP/MS	VHF input GND and control bus switching
14	VHFIN	VHF input
15	UHFIN1	UHF input
16	UHFIN2	UHF input
17	VOSC1	VHF oscillator (base input)
18	GND	GND
19	VOSC2	VHF oscillator (collector output)
20	UOSCB1	UHF oscillator (base pin)
21	UOSCE1	UHF oscillator (emitter pin)
22	UOSCE2	UHF oscillator (emitter pin)
23	UOSCB2	UHF oscillator (base pin)
24	VCC2	PLL circuit Vcc
25	GND2	PLL circuit GND
26	IFOUT	IF amplifier output
27	NC	OPEN
28	VT	Tuning voltage output (open collector)
29	CPO	Charge pump output (loop filter connection)
30	REFOSC	Crystal connection
31	VCC3	Band switch power supply
32	ADSW/CE	Enable/address selection (I ² C bus)

[查询"CXA3252N"供应商](#)

Pin Description and Equivalent Circuit

Pin No.	Symbol	Pin Voltage [V]	Equivalent circuit	Description
1	CL	—		Clock input.
2	DA	—		DATA input.
3	BS3	ON : 4.8 OFF : 0.0		Band switch outputs. The pin corresponding to the selected band goes High.
8	BS4			
4	BS1	2.1		
7	BS2			
5	IFIN1	2.1		
6	IFIN2			
9	VCC1	—		Analog circuit power supply.

[查询"CXA3252N"供应商](#)

Pin No.	Symbol	Pin Voltage [V]	Equivalent circuit	Description
10	MIXOUT1	—		Mixer output. These pins output the signal with open collector, and they must be connected to the power supply via the load.
11	MIXOUT2	—		
12	GND1	—	—	Analog circuit GND.
13	BYP/MS	3.8 during VHF reception		Pin 12 : VHF input grounding and control bus switching.
		3.8 during UHF reception		
14	VHFin	2.6 during VHF reception		UHF inputs. Input the signal to Pins 14 and 15 symmetrically or ground either of Pin 14 or 15 with the capacitor and input the signal to the rest.
		0.1 during UHF reception		
15	UHFin1	2.6 during UHF reception		UHF inputs. Input the signal to Pins 14 and 15 symmetrically or ground either of Pin 14 or 15 with the capacitor and input the signal to the rest.
		0.1 during VHF reception		
16	UHFin2	2.6 during UHF reception		UHF inputs. Input the signal to Pins 14 and 15 symmetrically or ground either of Pin 14 or 15 with the capacitor and input the signal to the rest.
		0.1 during VHF reception		
17	VOSC1	2.1 during VHF reception		External resonance circuit connection for VHF oscillator.
		2.3 during UHF reception		
19	VOSC2	4.2 during VHF reception		External resonance circuit connection for VHF oscillator.
		5.0 during UHF reception		
18	GND	—	—	GND for separating the analog and PLL systems.

[查询"CXA3252N"供应商](#)

Pin No.	Symbol	Pin Voltage [V]	Equivalent circuit	Description
20	UOSCB1	2.1 during UHF reception 2.3 during VHF reception		External resonance circuit connection for UHF oscillator.
21	UOSCE1	1.4 during UHF reception 1.8 during VHF reception		
22	UOSCE2	1.4 during UHF reception 1.8 during VHF reception		
23	UOSCB2	2.1 during UHF reception 2.3 during VHF reception		
24	VCC2	—	—	PLL circuit power supply
25	GND2	—	—	PLL circuit GND.
26	IFOUT	2.7		I/F output.
27	NC	—	—	
28	VT	—		Varicap drive voltage output. This pin outputs the signal with open collector, and this must be connected to the tuning power supply via the load. Charge pump output. Connects the loop filter.
29	CPO	2.0		
30	REFOSC	4.3		Crystal connection for reference oscillator.
31	VCC3	—	—	Power supply for external supply.
32	ADSW/CE	1.25 (when open)		I ² C bus setting : Address selection. Bits 1 and 2 of the address byte are controlled. 3-wire bus setting : Enable input.

[查询"CXA3252N"供应商](#)

Electrical Characteristics

Circuit Current

(VCC=5 V, Ta=25°C)

Item	Symbol	Measurement conditions	Min.	Typ.	Max.	Unit
Circuit current A	Alccv	Vcc1 current, band switch output open during VHF operation				mA
	Alccu	Vcc1 current, band switch output open during UHF operation				mA
Circuit current D	DIcc	Vcc2 current				mA

OSC/MIX/IF Amplifier Block

Item	Symbol	Measurement conditions	Min.	Typ.	Max.	Unit
Conversion gain	CG1	VHF operation $f_{RF}=55$ MHz				dB
	CG2	VHF operation $f_{RF}=360$ MHz				dB
	CG3	UHF operation $f_{RF}=360$ MHz				dB
	CG4	UHF operation $f_{RF}=800$ MHz				dB
Noise figure ^{*1, *2}	NF1	VHF operation $f_{RF}=55$ MHz				dB
	NF2	VHF operation $f_{RF}=360$ MHz				dB
	NF3	UHF operation $f_{RF}=360$ MHz				dB
	NF4	UHF operation $f_{RF}=800$ MHz				dB
1% cross modulation ^{*1, *3}	CM1	VHF operation $f_D=55$ MHz, $f_{UD}=\pm 12$ MHz				dB μ
	CM2	VHF operation $f_D=360$ MHz, $f_{UD}=\pm 12$ MHz				dB μ
	CM3	UHF operation $f_D=360$ MHz, $f_{UD}=\pm 12$ MHz				dB μ
	CM4	UHF operation $f_D=800$ MHz, $f_{UD}=\pm 12$ MHz				dB μ
Maximum output power	Pomax	50 Ω load saturation output				dBm
Switch ON drift ^{*4}	Δf_{sw1}	VHF operation $f_{osc}=100$ MHz Δf from 3 s to 3 min after switch ON				kHz
	Δf_{sw2}	VHF operation $f_{osc}=405$ MHz Δf from 3 s to 3 min after switch ON				kHz
	Δf_{sw3}	UHF operation $f_{osc}=405$ MHz Δf from 3 s to 3 min after switch ON				kHz
	Δf_{sw4}	UHF operation $f_{osc}=845$ MHz Δf from 3 s to 3 min after switch ON				kHz

[查询"CXA3252N"供应商](#)

Item	Symbol	Measurement conditions	Min.	Typ.	Max.	Unit
Supply voltage *4 drift	Δ fst1	VHF operation fosc=100 MHz Δ f when Vcc 5 V changes $\pm 5\%$				kHz
	Δ fst2	VHF operation fosc=405 MHz Δ f when Vcc 5 V changes $\pm 5\%$				kHz
	Δ fst3	UHF operation fosc=405 MHz Δ f when Vcc 5 V changes $\pm 5\%$				kHz
	Δ fst4	UHF operation fosc=845 MHz Δ f when Vcc 5 V changes $\pm 5\%$				kHz
Oscillator phase noise	C/N V	10 kHz offset				dBc/Hz
	C/N U	10 kHz offset				dBc/Hz
Reference leak	REFL	Phase comparison frequency of 62.5 kHz, CP : 1				dB
Lock-up time	LUT 1					msec
	LUT 2					msec

*1 Value measured with untuned input.

*2 NF meter direct-reading value (DSB measurement).

*3 Value with a desired reception signal input level of -30 dBm, an interference signal of 100 kHz/30 % AM, and an interference signal level where S/I=46 dB measured with a spectrum analyzer.

*4 Value when the PLL is not operating.

[查询"CXA3252N"供应商](#)

PLL Block

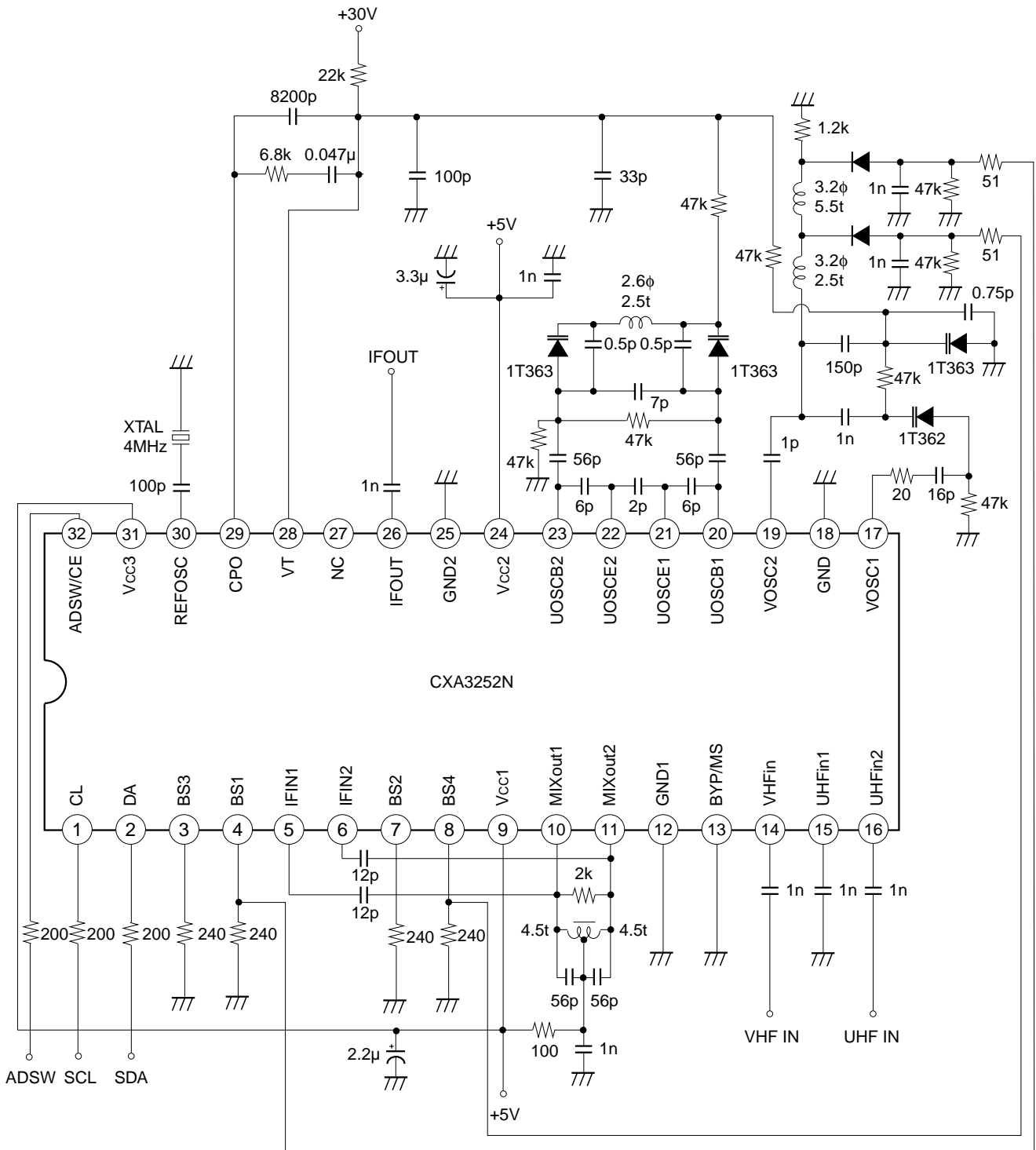
Item	Symbol	Measurement conditions	Min.	Typ.	Max.	Unit
CL, DA pins						
"H" level input voltage	V _{IH}		3		V _{CC}	V
"L" level input voltage	V _{IL}		GND		1.5	V
"H" level input current	I _{IH}	V _{IH} =V _{CC}		0	-0.1	μA
"L" level input current	I _{IL}	V _{IL} =GND		-0.3	-4	μA
CE input						
"H" level input voltage	V _{IH}		3		V _{CC}	V
"L" level input voltage	V _{IL}		GND		1.5	V
"H" level input current	I _{IH}	V _{IH} =V _{CC}		-100	-200	μA
"L" level input current	I _{IL}	V _{IL} =GND		35	100	μA
SDA output						
"H" output leak current	V _{IH}	V _{in} =5.5 V			5	V
"L" output voltage	V _{IL}	I _{out} =-3 mA	GND		0.4	V
CPO (charge pump)						
Output current 1	I _{CPO1}	Byte4/Bit6=0	±35	±50	±75	μA
Leak current 1	LeakCP1	Byte4/Bit6=0			30	nA
Output current 2	I _{CPO2}	Byte4/Bit6=1	±140	±200	±300	μA
Leak current 2	LeakCP2	Byte4/Bit6=1			100	nA
VT (VC voltage output)						
Maximum output voltage	V _{TH}				33	V
Minimum output voltage	V _{TL}			0.5	0.8	V
LOCK						
"H" output voltage	V _{LOCKH}	When locked	V _{CC} -0.5		V _{CC}	V
"L" output voltage	V _{LOCKL}	When unlocked	0		0.5	V
REFOSC						
Oscillation frequency range	F _{XTOSC}		3		12	MHz
Input capacitance	C _{XTOSC}		22	24	26	pF
Negative resistance	R _{NEG}	Crystal source impedance		-2	-1	kΩ
Band SW						
Output current	I _{BS}	When ON			-25	mA
Saturation voltage	V _{SAT}	When ON Source current=20 mA		120	240	mV
Leak current	LeakBS	When OFF		0.5	3	μA

[查询"CXA3252N"供应商](#)

Item	Symbol	Measurement conditions	Min.	Typ.	Max.	Unit
Bus timing (I ² C bus)						
SCL clock frequency	fSCL		0		400	kHz
Start waiting time	twSTA		1300			ns
Start hold time	thSTA		600			ns
"L" hold time	tLOW		1300			ns
"H" hold time	tHIGH		600			ns
Start setup time	tsSTA		600			ns
Data hold time	taHDAT		1300			ns
Data setup time	tSDAT		600			ns
Rise time	tR				300	ns
Fall time	tF				300	ns
Stop setup time	tsSTO		600			ns
Bus timing (3-wire bus)						
Data setup time	tSD		300			ns
Data hold time	tHD		600			ns
Enable waiting time	tWE		300			ns
Enable setup time	tSE		300			ns
Enable hold time	tHE		600			ns

[查询"CXA3252N"供应商](#)

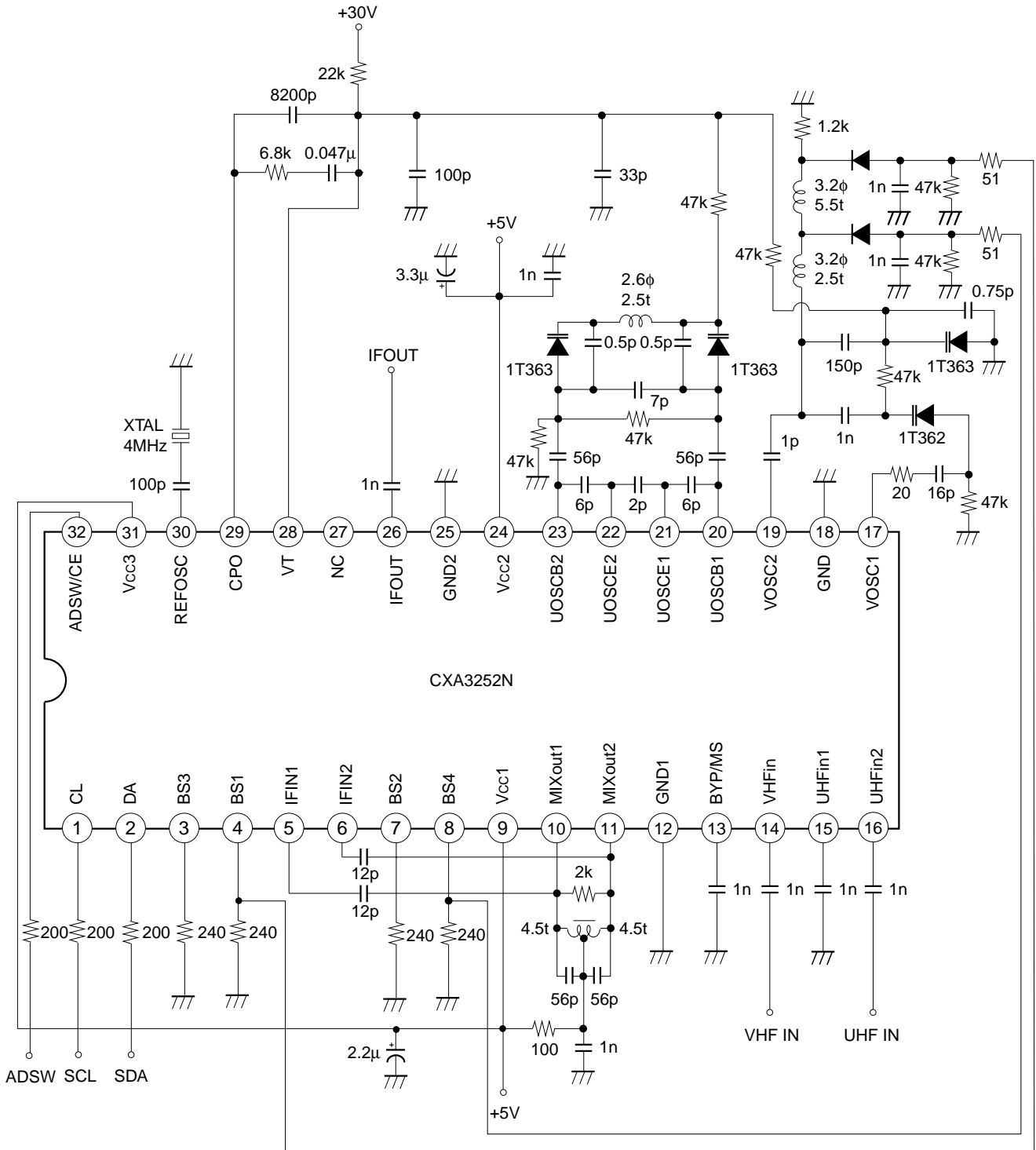
Electrical Characteristics Measurement Circuit (I²C bus control)



Unmarked Ls are air coils with a wire diameter of 0.5 mm.

[查询"CXA3252N"供应商](#)

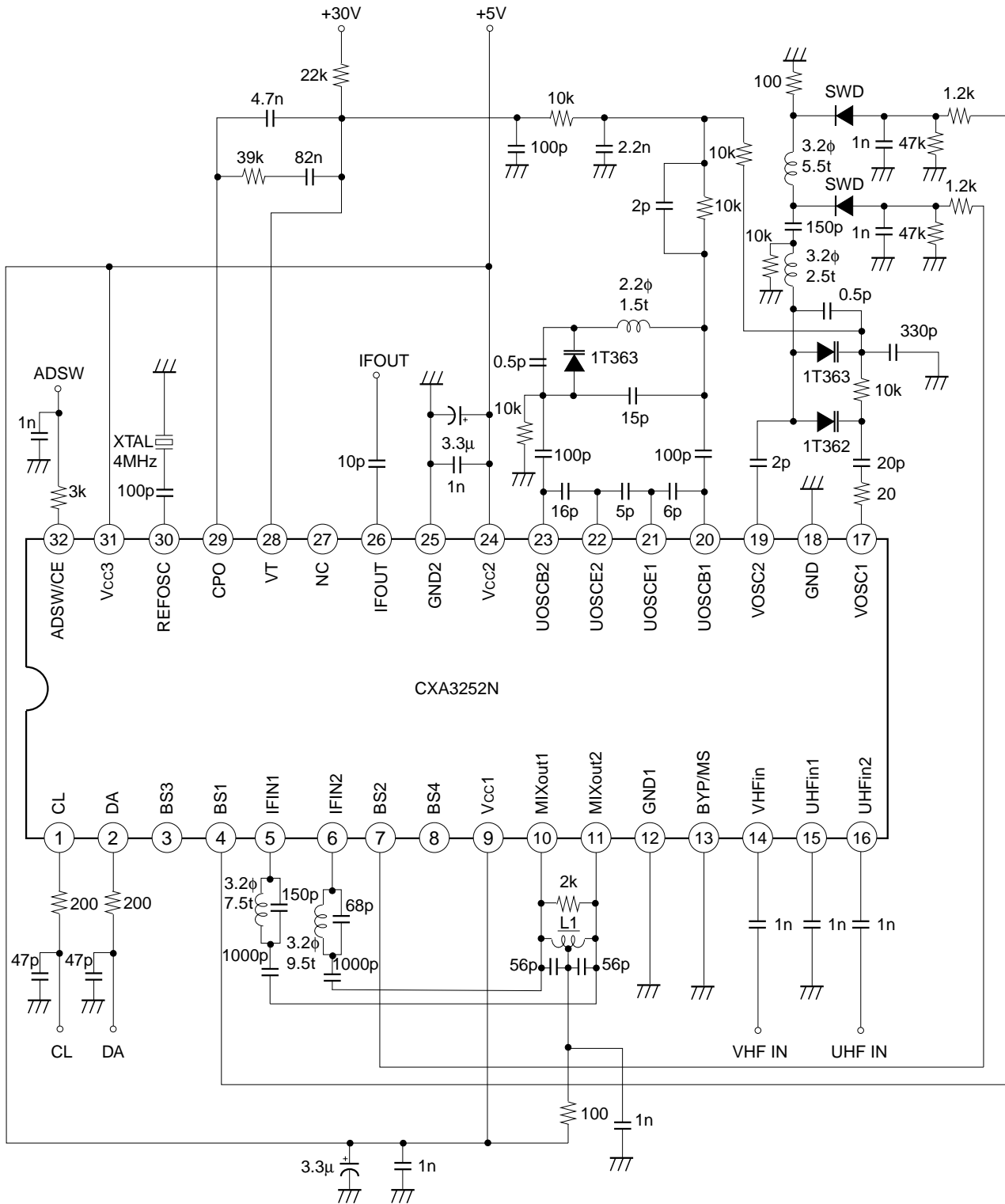
Electrical Characteristics Measurement Circuit (3-wire bus control)



Unmarked Ls are air coils with a wire diameter of 0.5 mm.

[查询"CXA3252N"供应商](#)

Application Circuit (I²C bus control)



Application circuits shown are typical examples illustrating the operation of the devices. Sony cannot assume responsibility for any problems arising out of the use of these circuits or for any infringement of third party patent and other right due to same.

[查询"CXA3252N"供应商](#)

Description of Functions

The CXA3252N is a ground wave broadcast tuner IC which converts frequencies to IF in order to tune and detect only the desired reception frequency of VHF, CATV and UHF band signals.

In addition to the mixer, local oscillation and IF amplifier circuits required for frequency conversion to IF, this IC also integrates a PLL circuit for local oscillation frequency control onto a single chip.

The functions of the various circuits are described below.

1. Mixer circuit

This circuit outputs the frequency difference between the signal input to VHFIN or UHFIN and the local oscillation signal.

2. Local oscillation circuit

A VCO is formed by externally connecting an LC resonance circuit composed of a varicap diode and inductance.

3. IF amplifier circuit

This circuit amplifies the mixer IF output, and consists of an amplifier stage and low impedance output stage.

4. PLL circuit

This PLL circuit fixes the local oscillation frequency to the desired frequency. It consists of a programmable divider, reference divider, phase detector, charge pump and reference oscillator. The control format supports both the I²C bus and 3-wire bus formats.

During I²C bus control, the frequency steps of 31.25, 50 or 62.5 kHz can be selected by the frequency division setting value of the data-based referencedivider.

During 3-wire bus control, these frequency steps can be selected by the combination of the data length (18 or 19 bits) and the voltage applied to the BYP/MS pin.

5. Band switch circuit

The CXA3252N has four sets of built-in PNP transistors for switching between the VL, VH and UHF bands and for switching the FM trap, etc. These PNP transistors can be controlled by the bus data.

The emitters for these PNP transistors are connected to an independent power supply pin (Vcc3) from the oscillator, mixer and PLL circuits, and support either 5 V or 9 V as the RF amplifier power supply.

[查询"CXA3252N"供应商](#)

Description of Analog Block Operation

(See the Electrical Characteristics Measurement Circuit.)

VHF oscillator circuit

- This circuit is a differential amplifier type oscillator circuit. Pin 19 is the output and Pin 17 is the input. Oscillation is performed by connecting an LC resonance circuit including a varicap to Pin 19 via coupled capacitance, inputting to Pin 17 with feedback capacitance, and applying positive feedback.
- The amplifier between Pins 17 and 19 has an extremely high gain. Therefore, care should be taken to avoid creating parasitic capacitance, resistance or other feedback loops as this may produce abnormal oscillation.

VHF mixer circuit

- The mixer circuit employs a double balanced mixer with little local oscillation signal leakage. The input format is base input type, with Pin 13 grounded via a capacitor and the RF signal input to Pin 14. (Pin 13 can also be used to switch the PLL mode according to the applied DC voltage value.)
- The RF signal is converted to IF frequency by oscillator signal and output from Pins 10 and 11. Pins 10 and 11 are open collectors, so external power supply is necessary. In addition, single-tuned filters are connected to Pins 10 and 11.

UHF oscillator circuit

- This oscillator circuit is designed so that two collector ground type Colpitts oscillators perform differential oscillation operation via an LC resonance circuit including a varicap.
- Resonance capacitance is connected between Pins 20 and 21, Pins 21 and 22, and Pins 22 and 23, and an LC resonance circuit including a varicap is connected between Pins 20 and 23.

UHF mixer circuit

- This circuit employs a double balanced mixer like the VHF mixer circuit. The input format is base input type, with Pins 15 and 16 as the RF input pins. The input method can be selected from balanced input consisting of differential input to Pins 15 and 16 or unbalanced input consisting of grounding Pin 15 via a capacitor and input to Pin 16.
- Pins 10 and 11 are the mixer outputs. Pins 10 and 11 are open collectors, so external power supply is necessary. In addition, single-tuned filters are connected to Pins 10 and 11.

IF amplifier circuit

- Pins 5 and 6 are IF amplifier inputs with an input impedance of approximately 1 k Ω .
- The signals frequency converted by the mixer are output from Pins 10 and 11, so Pins 10 and 11 are connected to Pins 5 and 6 via capacitors. (A neighboring channel trap circuit can be formed by connecting a L and C parallel circuit instead of capacitors.)
- The signal amplified by the IF amplifier is output from Pin 26. The output impedance is approximately 75 Ω .

[查询"CXA3252N"供应商](#)**Description of PLL Block**

This IC supports both I²C bus and 3-wire bus control.

The I²C bus conforms to the standard I²C bus format, and bidirectional bus control is possible consisting of a write mode in which various data are received and a read mode in which various data are sent.

The 3-wire bus is equipped with an 18- or 19-bit auto identify function, and the frequency step can be switched according to the voltage applied to the BYP/MS pin.

The PLL of this IC does not have a fixed frequency division circuit and performs high-speed phase comparison, providing low reference leak and quick lock-up time characteristics.

Pin Function Table

Symbol	I ² C bus	3-wire bus
CL	SCL input	CLOCK input
DA	SDA I/O	DATA input
ADSW/CE	Address selection	ENABLE input

1) PLL Mode Setting Method

The selected control bus is set according to the BYP/MS pin (Pin 13) voltage.

BYP/MS pin	Control bus
GND	I ² C Bus
OPEN	3-wire bus
V _{cc}	3-wire bus

During 3-wire bus control, the transferred bit length (18, 19 or 27 bits) is automatically identified.

During 18- or 19-bit transfer, the frequency steps in the table below are set according to the combination of the BYP/MS pin voltage and the bit length. This IC does not have a fixed frequency division circuit, so the phase comparison frequency becomes the frequency step.

BYP/MS Pin voltage	Transfer bit length	Reference Divider	Phase comparison frequency	Frequency Step*
	18	64	62.5 kHz	62.5 kHz
OPEN	19	128	31.25 kHz	31.25 kHz
OPEN or VCC	27	Selectable from 64, 80 or 128	62.5 kHz/ 50.0 kHz/ 31.25 kHz	62.5 kHz/ 50.0 kHz/ 31.25 kHz
VCC	18	80	50.0 kHz	50.0 kHz
VCC	19	80	50.0 kHz	50.0 kHz

* Phase comparison frequency and frequency step are for when the crystal oscillation=4 MHz.

[查询"CXA3252N"供应商](#)

2) Programming

The VCO lock frequency is obtained according to the following formula.

$$f_{osc} = f_{ref} \times (32 M + S)$$

f_{osc} : local oscillator frequency

f_{ref} : phase comparison frequency

M : main divider frequency division ratio

S : swallow counter frequency division ratio

The variable frequency division ranges of M and S are as follows, and are set as binary.

$$S < M \leq 1023 \quad (S < M \leq 511 \text{ during 18-bit transfer})$$

$$0 \leq S \leq 31$$

3) I²C Bus Control

This IC conforms to the standard I²C bus format, and bidirectional bus control is possible consisting of a write mode in which various data are received and a read mode in which various data are sent. Write and read modes are recognized according to the setting of the final bit (R/W bit) of the address byte. Write mode is set when the R/W bit is "0" and read mode is set when the R/W bit is "1".

[查询"CXA3252N"供应商](#)

3-1) Address settings

Up to four addresses can be selected by the hardware bit settings, so that multiple PLL can exist within one system.

The responding address can be set according to the ADSW/CE pin voltage.

1	1	0	0	0	MA1	MA0	R/W
---	---	---	---	---	-----	-----	-----

Address

"CE" pin voltage	MA1	MA0
0 to 0.1 VCC	0	0
OPEN or 0.2 VCC to 0.3 VCC	0	1
0.4 VCC to 0.6 VCC	1	0
0.9 VCC to VCC	1	1

Hardware bits

3-2) Write mode

Write mode is used to receive various data. In this mode, byte 1 contains the address data, bytes 2 and 3 contain the frequency data, byte 4 contains the control data, and byte 5 contains the band switch data.

These data are latch transferred in the manner of byte 1, byte 2 + byte 3, and byte 4 + byte 5.

When the correct address is received and acknowledged, the data is recognized as frequency data if the first bit of the next byte is "0", and as control data and band switch data if this bit is "1".

Also, when data transmission is stopped part-way, the previously programmed data is valid. Therefore, once the control and band switch data have been programmed, 3-byte commands consisting of the address and frequency data are possible.

Further, even if the I²C bus stop conditions are not met, data can be input by sending the start conditions and the new address.

[查询"CXA3252N"供应商](#)

The control format is as shown in the table below.

Write-mode : Slave Receiver

	MSB							LSB	
MODE	bit7	bit6	bit5	bit4	bit3	bit2	bit1	bit0	
Address byte	1	1	0	0	0	MA1	MA0	0	A
Divider byte 1	0	M9	M8	M7	M6	M5	M4	M3	A
Divider byte 2	M2	M1	M0	S4	S3	S2	S1	S0	A
Control byte	1	CP	0	CD	X	R1	R0	OS	A
Band SW byte	X	X	X	X	BS4	BS3	BS2	BS1	A

X : Don't care

- A : Acknowledge bit
- MA0, MA1 : address setting
- M0 to : main divider frequency division ratio setting
- S0 to : swallow counter frequency division ratio setting
- CD : charge pump OFF (when "1")
- OS : varicap output OFF (when "1")
- CP : charge pump current switching (200 μ A when "1", 50 μ A when "0")
- BS1 to BS4 : band switch control (output PNP transistor ON when "1")
- R0, R1 : reference divider frequency division ratio setting.
(see the Reference Divider Frequency Division Ratio Table)

Reference Divider Frequency Division Ratio Table

R1	R0	Reference divider
0	1	128
1	1	64
X	0	80

X : Don't care

[查询"CXA3252N"供应商](#)

3-3) Read mode

In read mode, power-on reset operation status the phase comparator locked/unlocked status and 5-level A/D converter input pin voltage status are transmitted and output to the master.

The read data format is as shown in the table below.

Read mode : Slave Transmitter

MODE	bit7	bit6	bit5	bit4	bit3	bit2	bit1	bit0	
Address byte	1	1	0	0	0	MA1	MA0	1	A
Status byte	X	FL	1	1	1	0	0	0	A

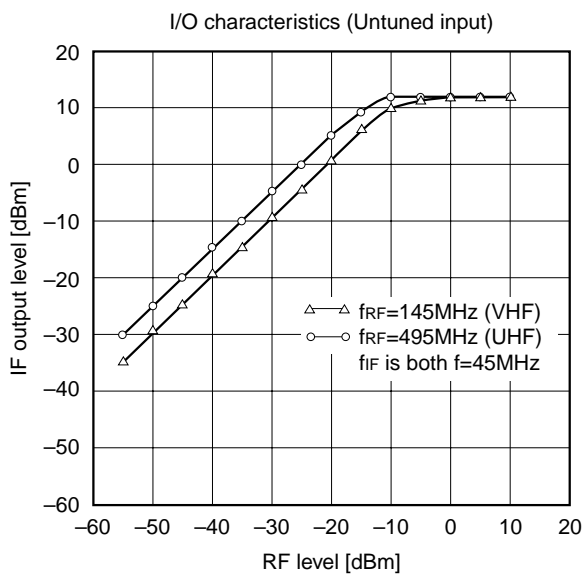
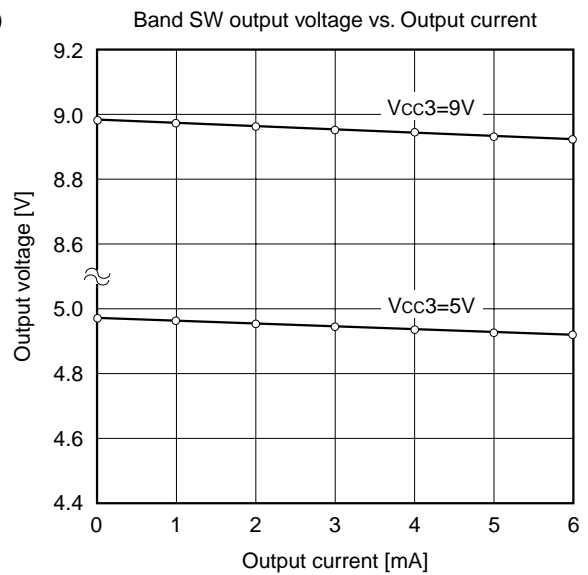
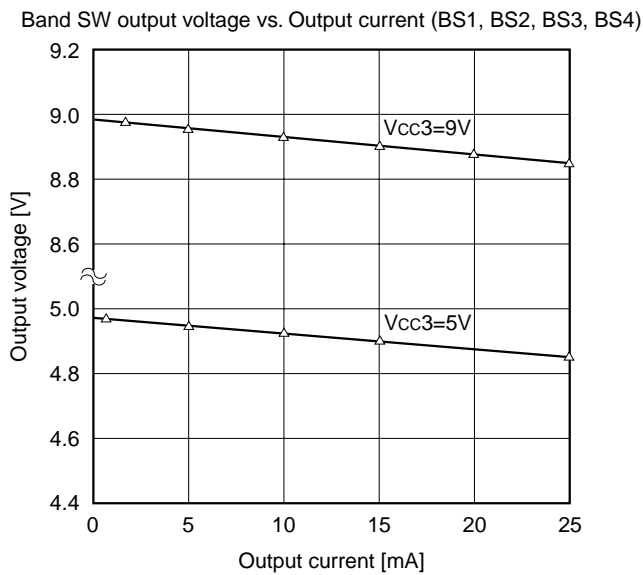
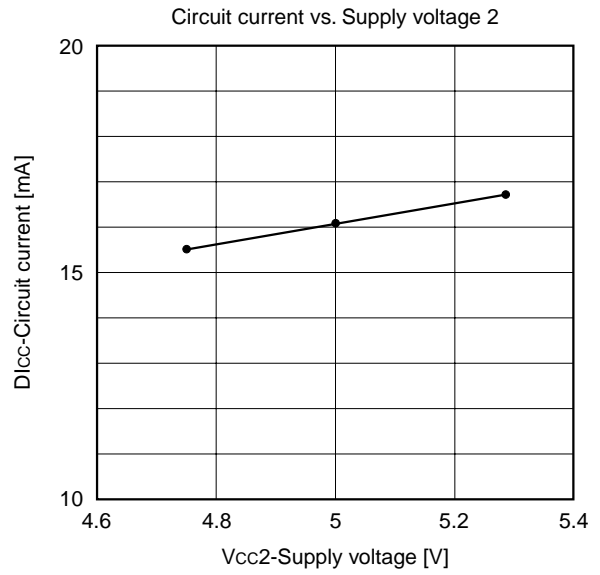
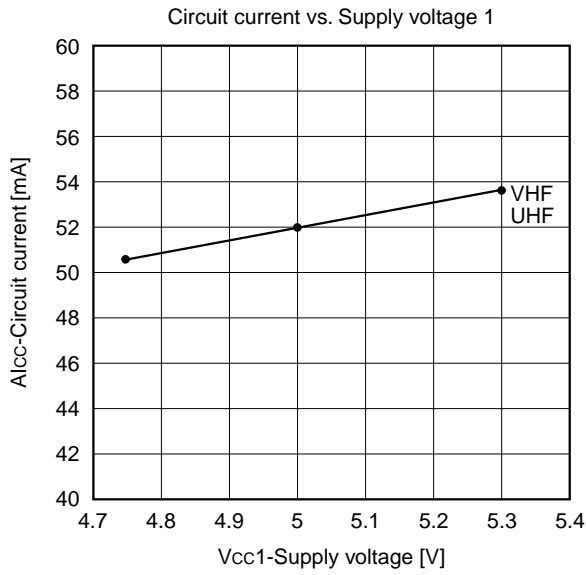
A : Acknowledge bit

MA0, MA1 : address setting

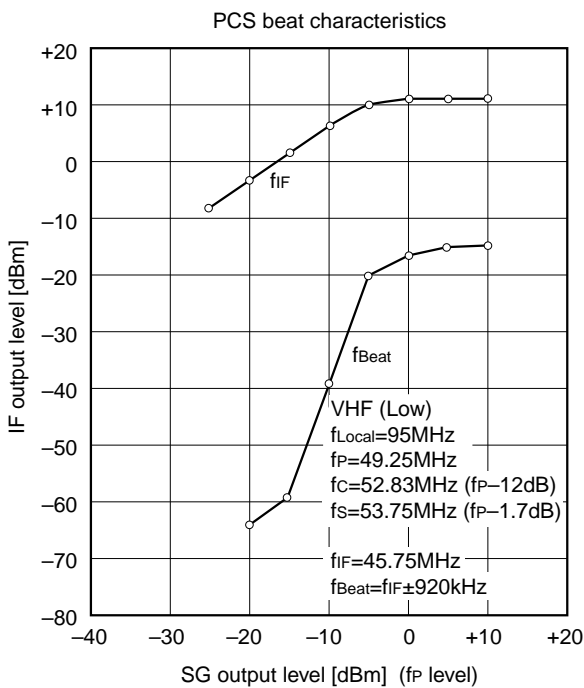
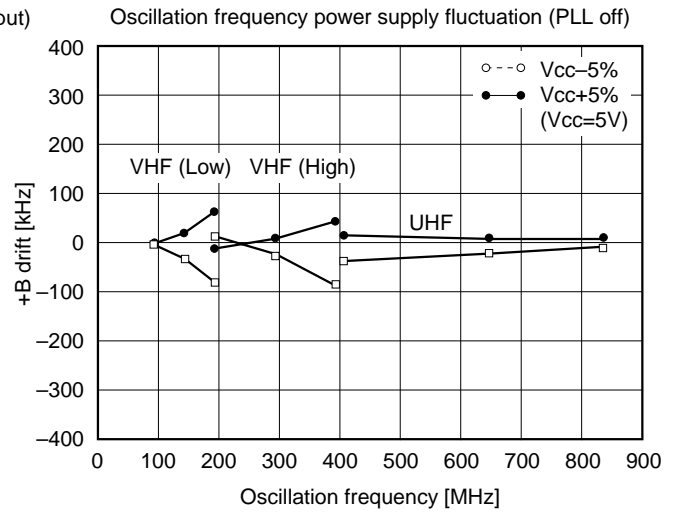
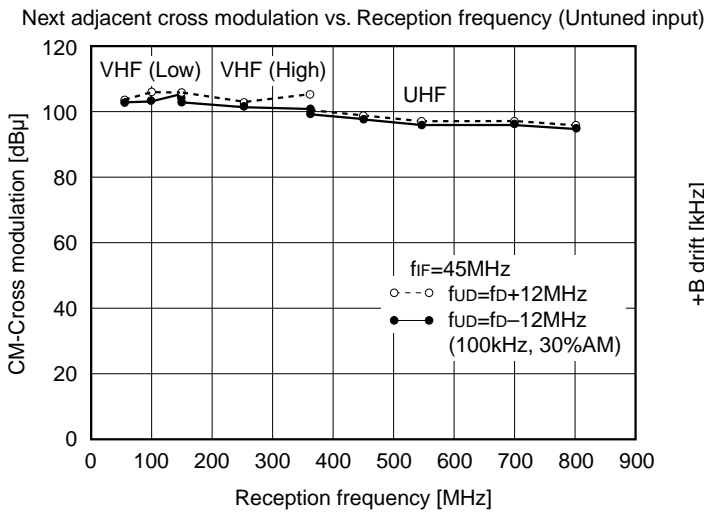
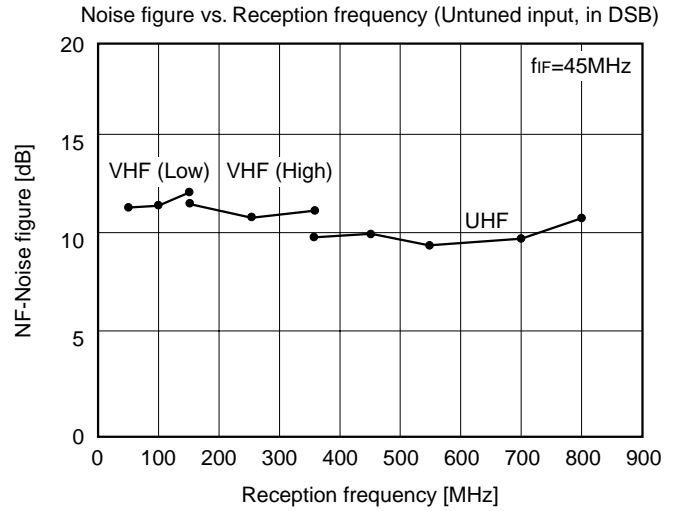
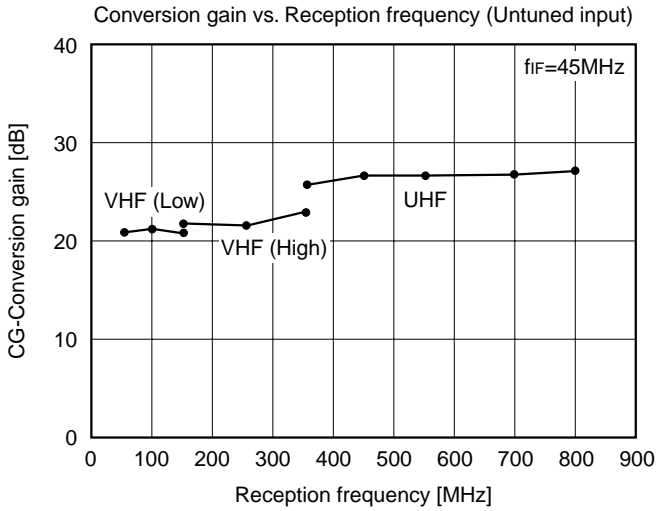
FL : lock detection signal (1 : locked, 0 : unlocked)

[查询"CXA3252N"供应商](#)

Example of Representative Characteristics

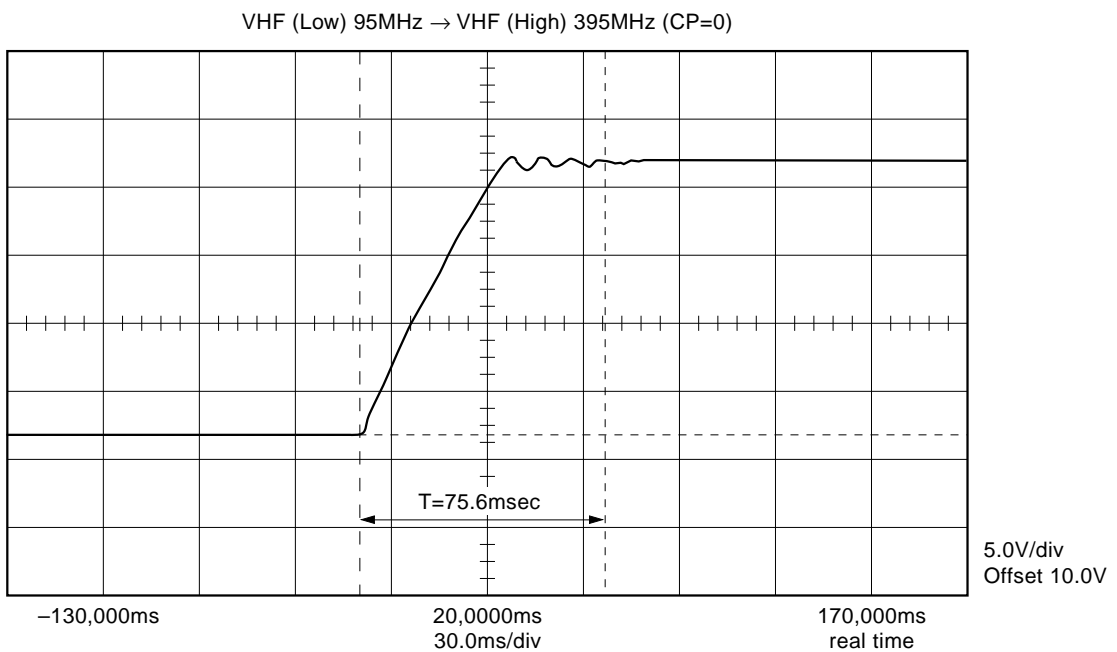
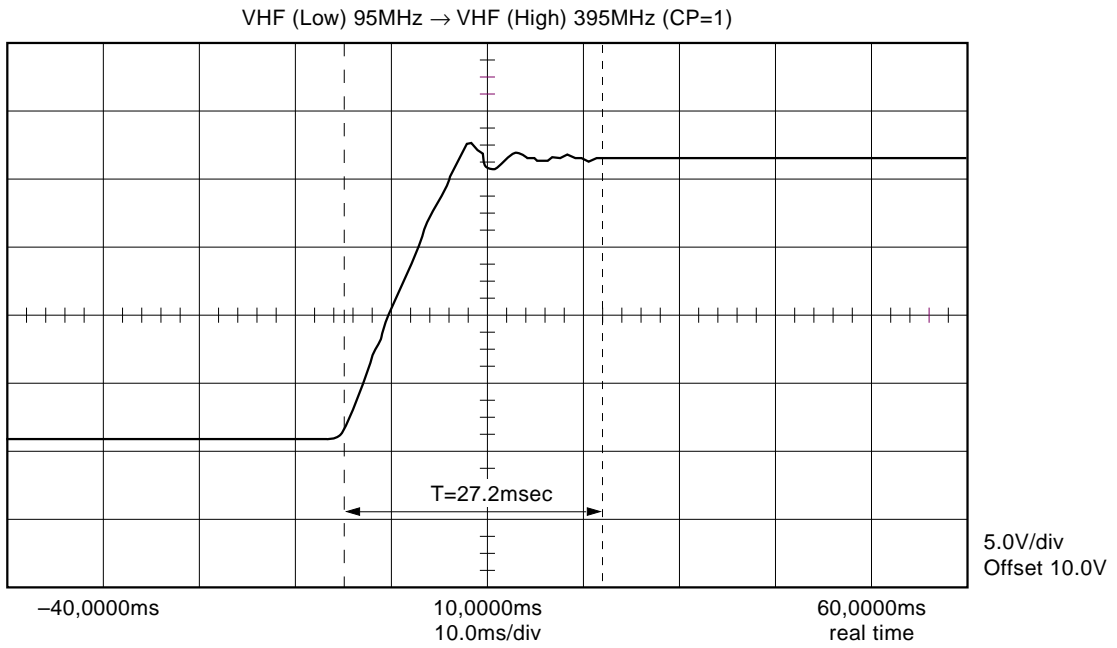


[查询"CXA3252N"供应商](#)



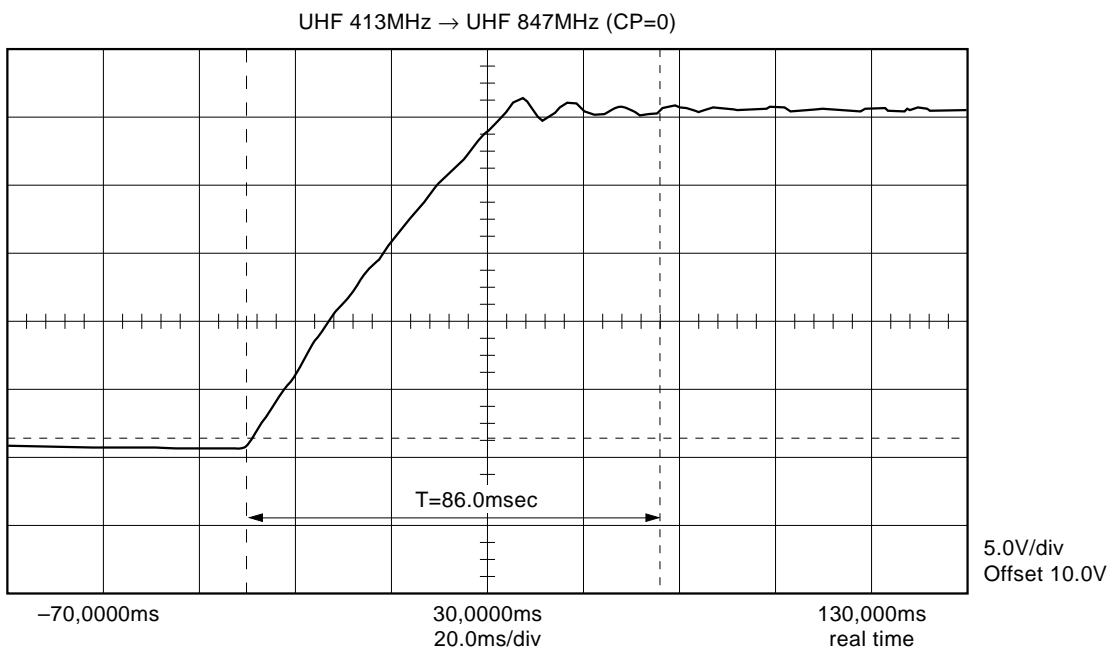
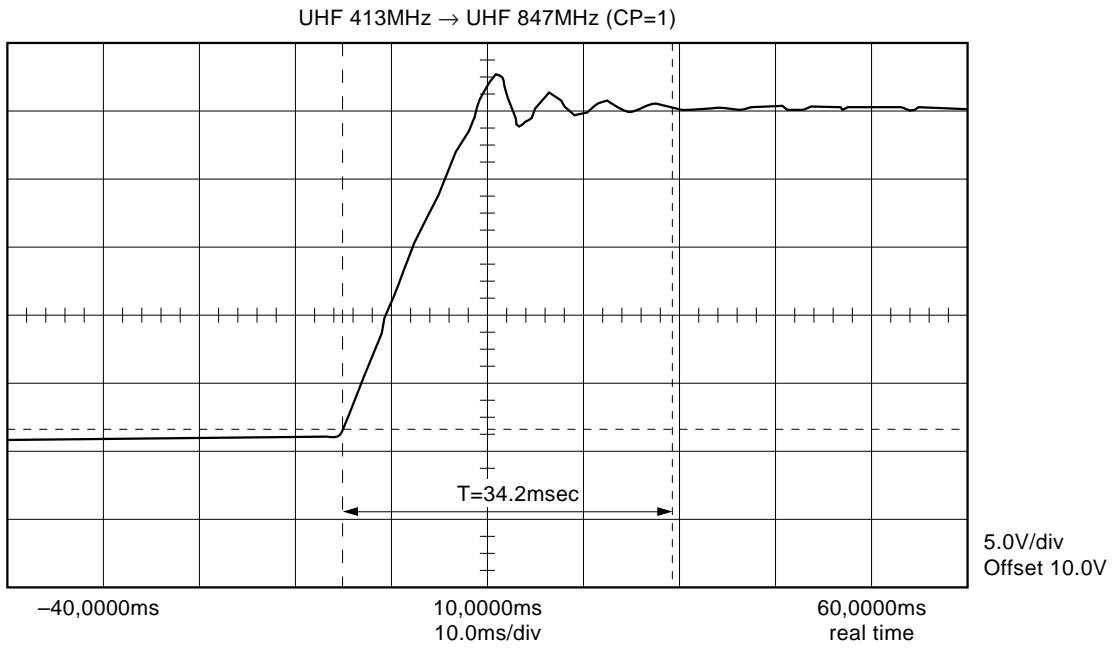
[查询"CXA3252N"供应商](#)

Tuning Response Time 1



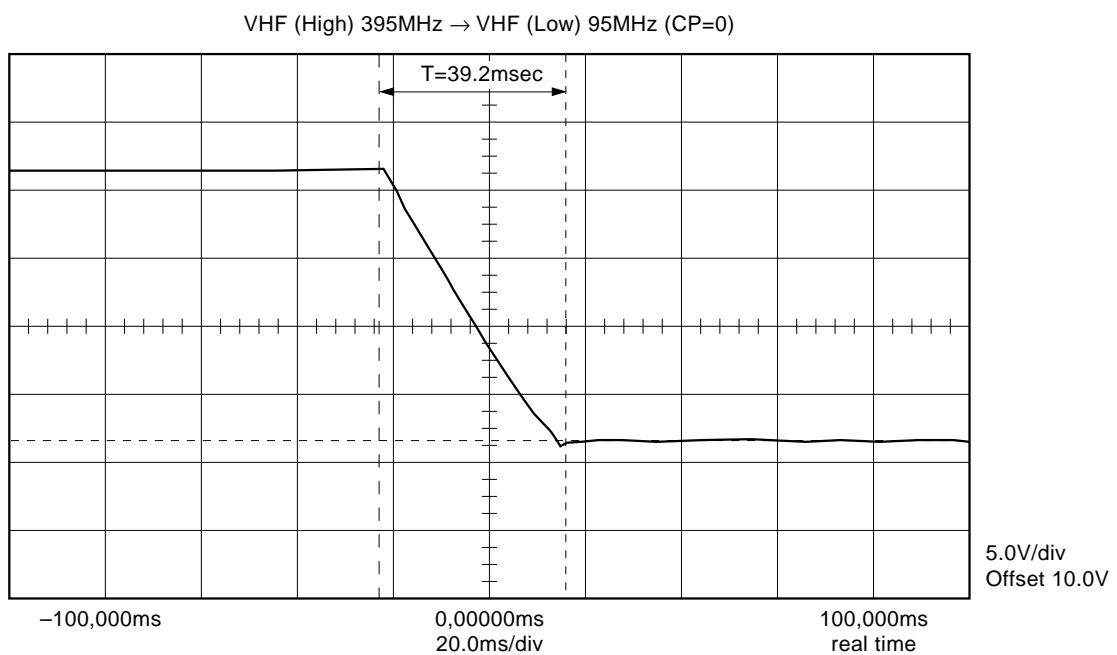
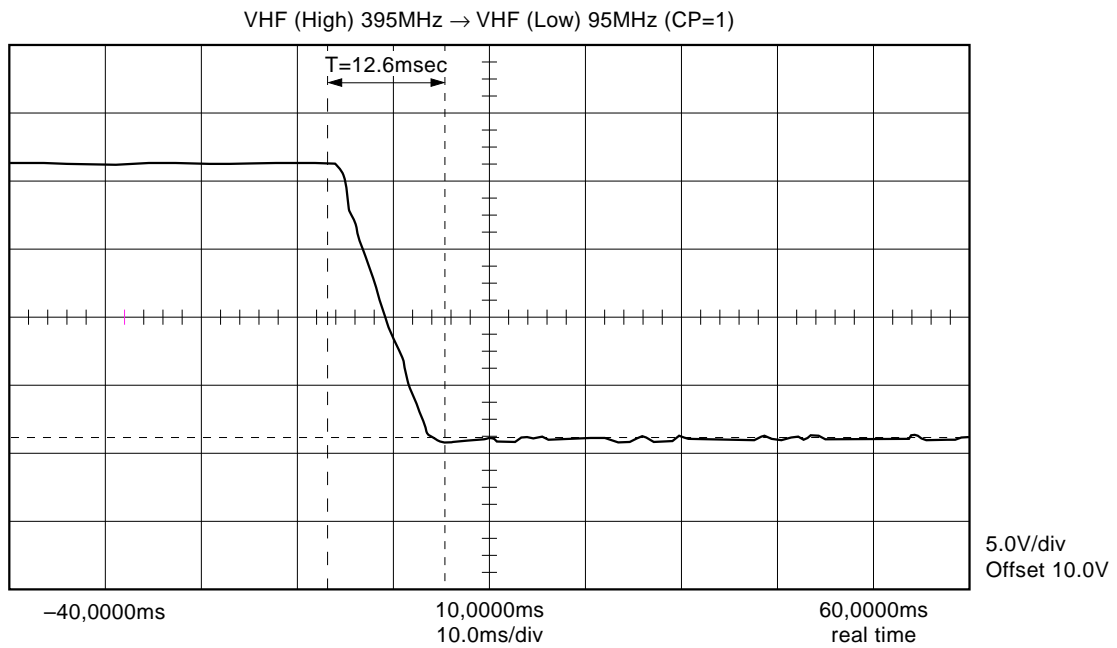
[查询"CXA3252N"供应商](#)

Tuning Response Time 2



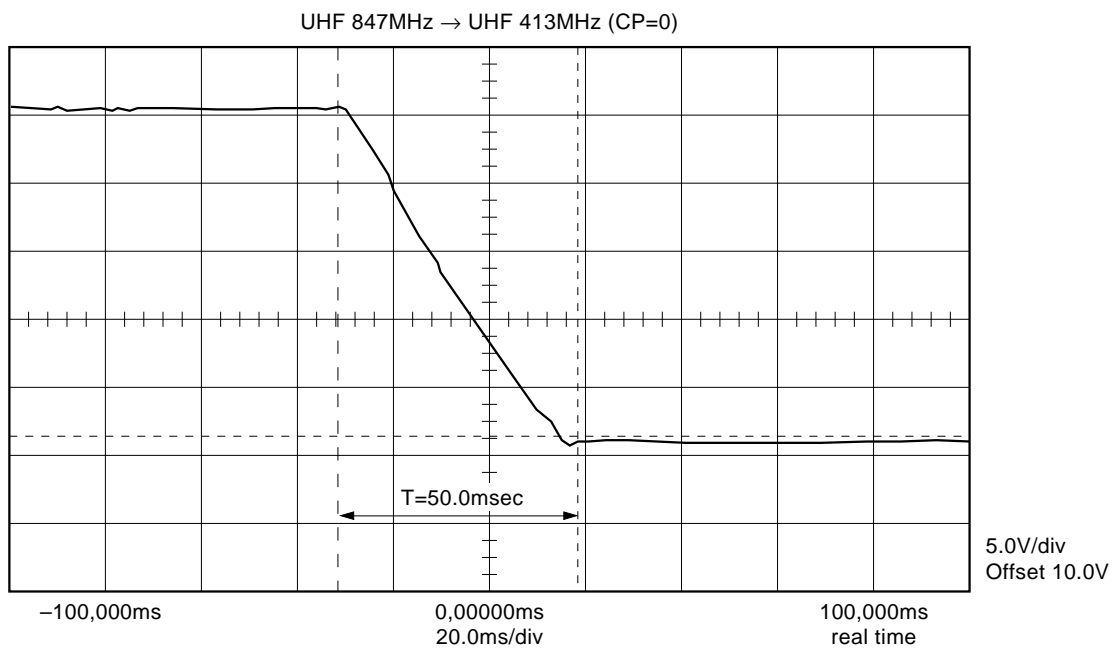
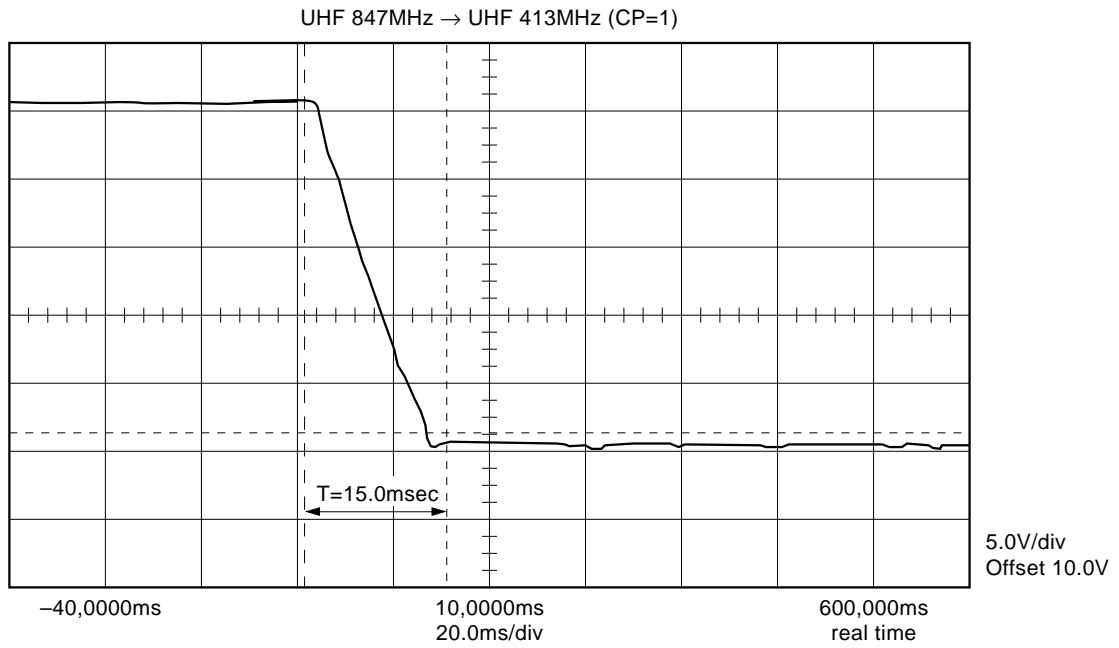
[查询"CXA3252N"供应商](#)

Tuning Response Time 3



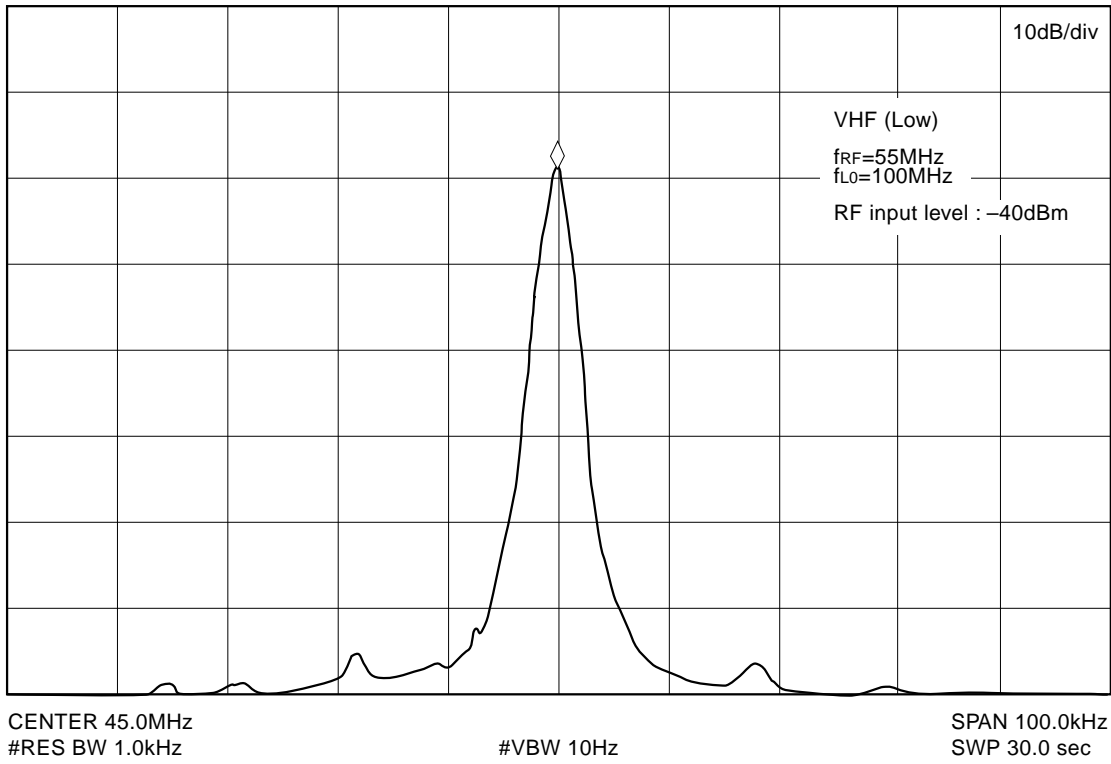
[查询"CXA3252N"供应商](#)

Tuning Response Time 4

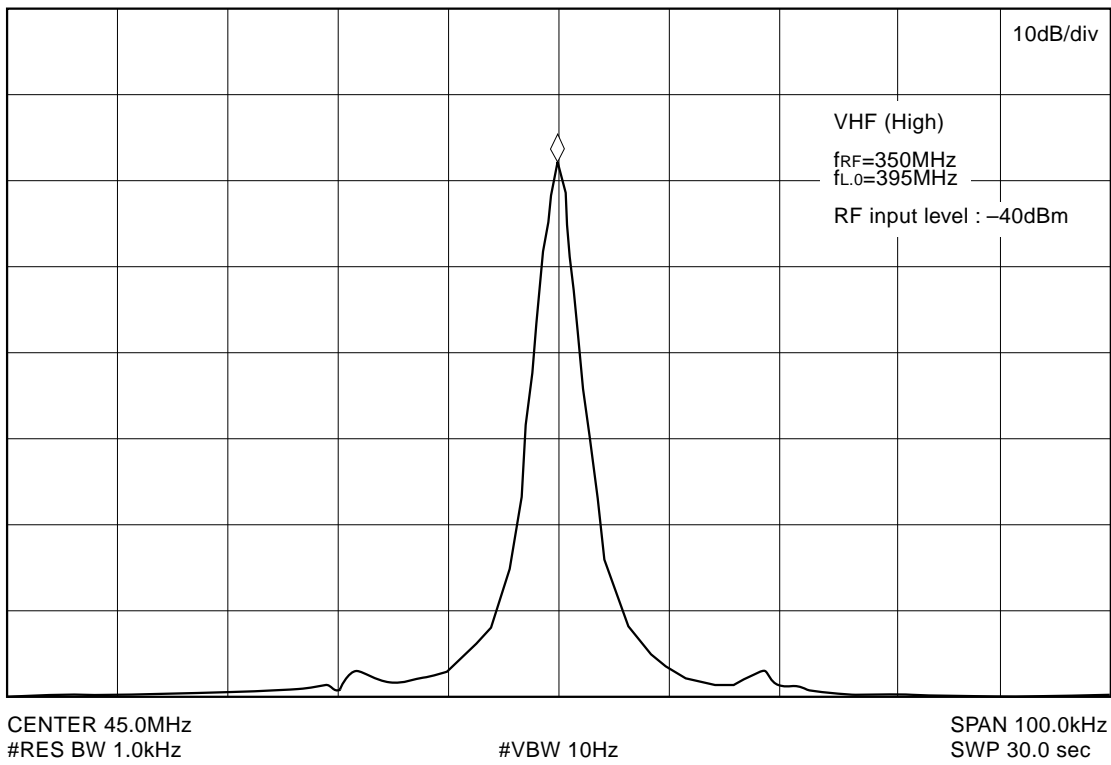


[查询"CXA3252N"供应商](#)

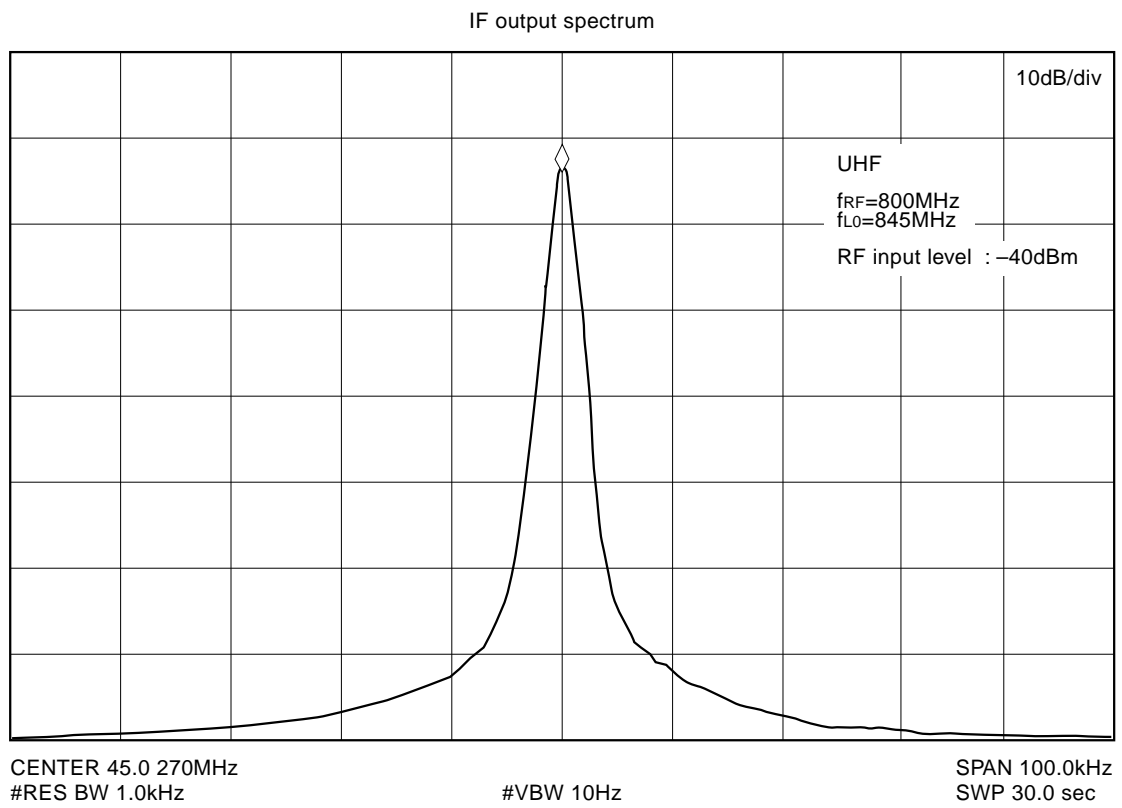
IF output spectrum



IF output spectrum

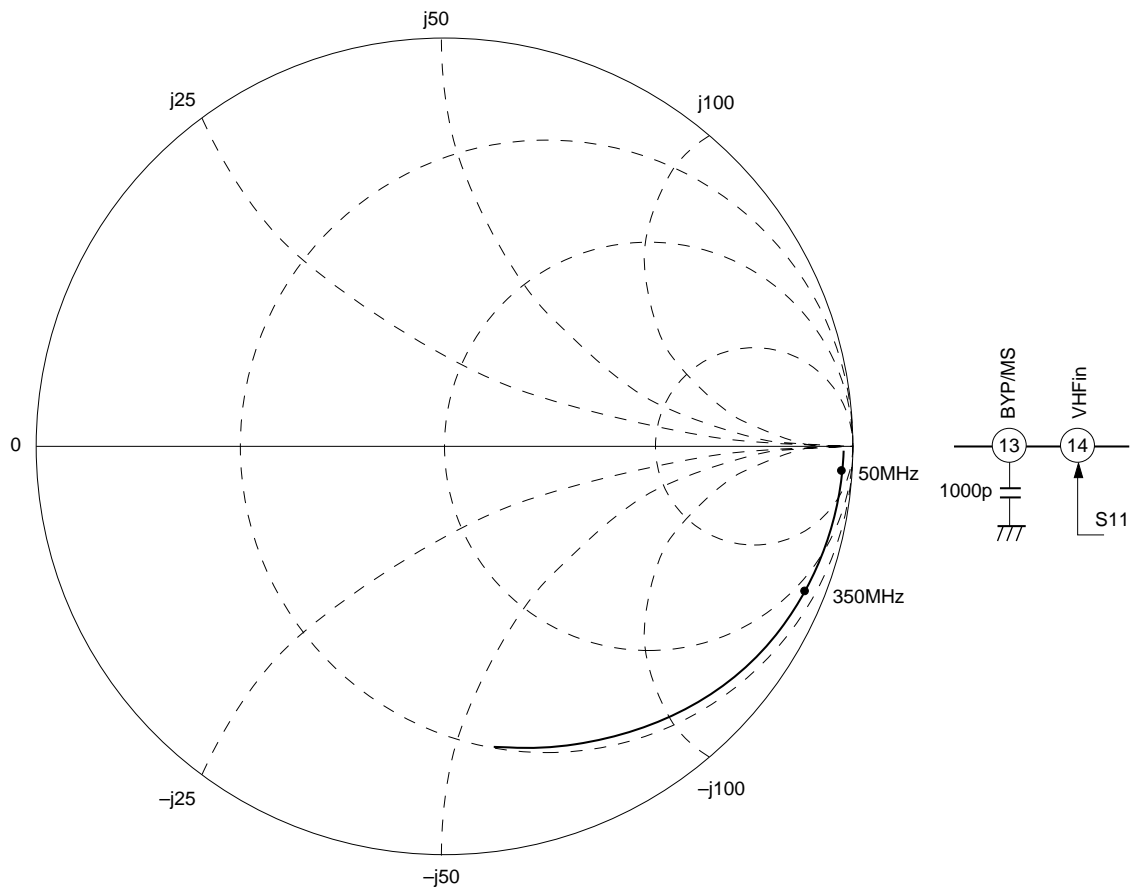


[查询"CXA3252N"供应商](#)

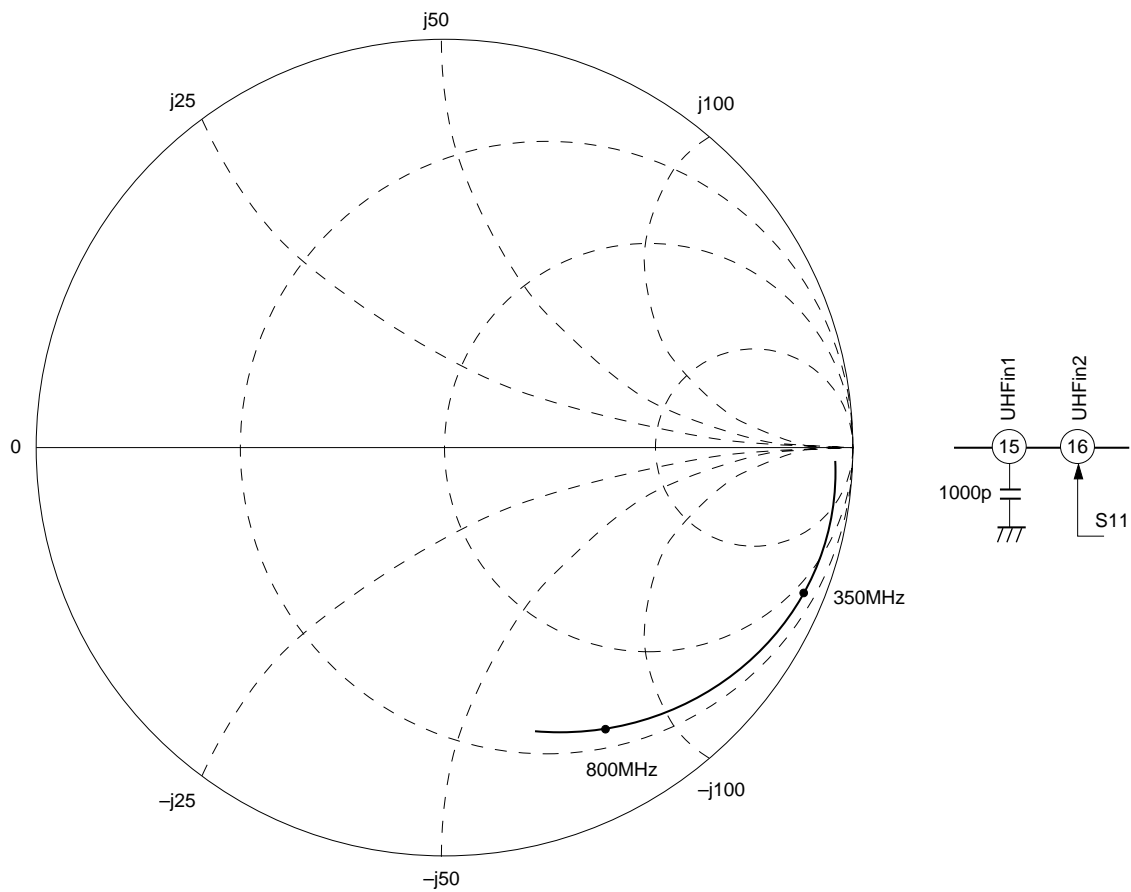


[查询"CXA3252N"供应商](#)

VHF Input Impedance

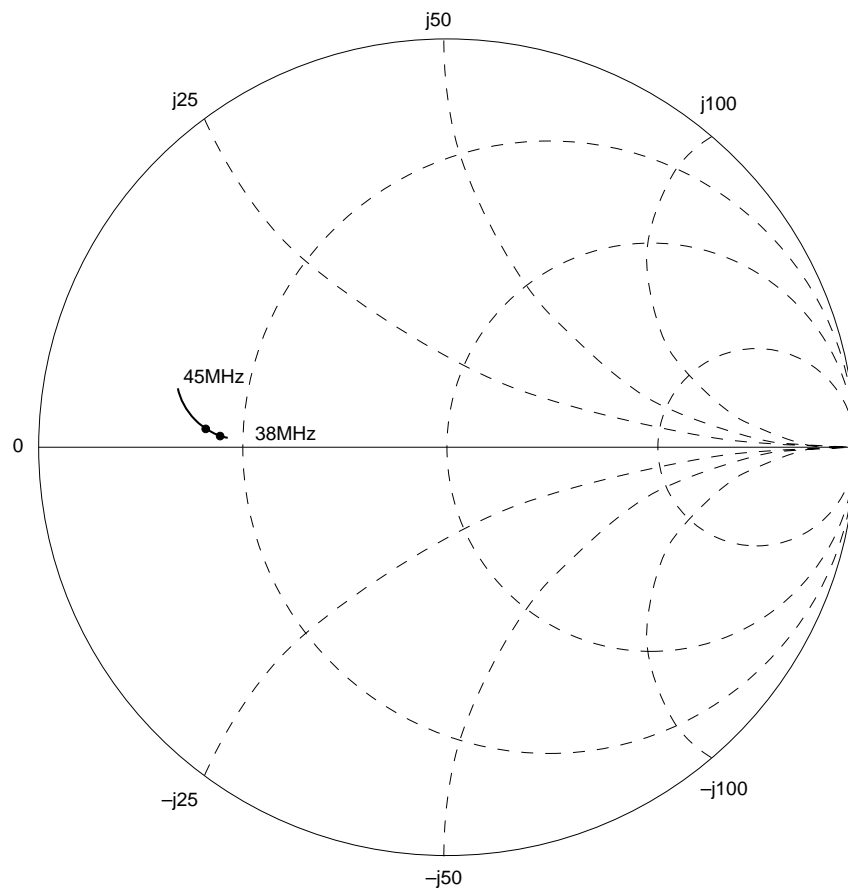


UHF Input Impedance



[查询"CXA3252N"供应商](#)

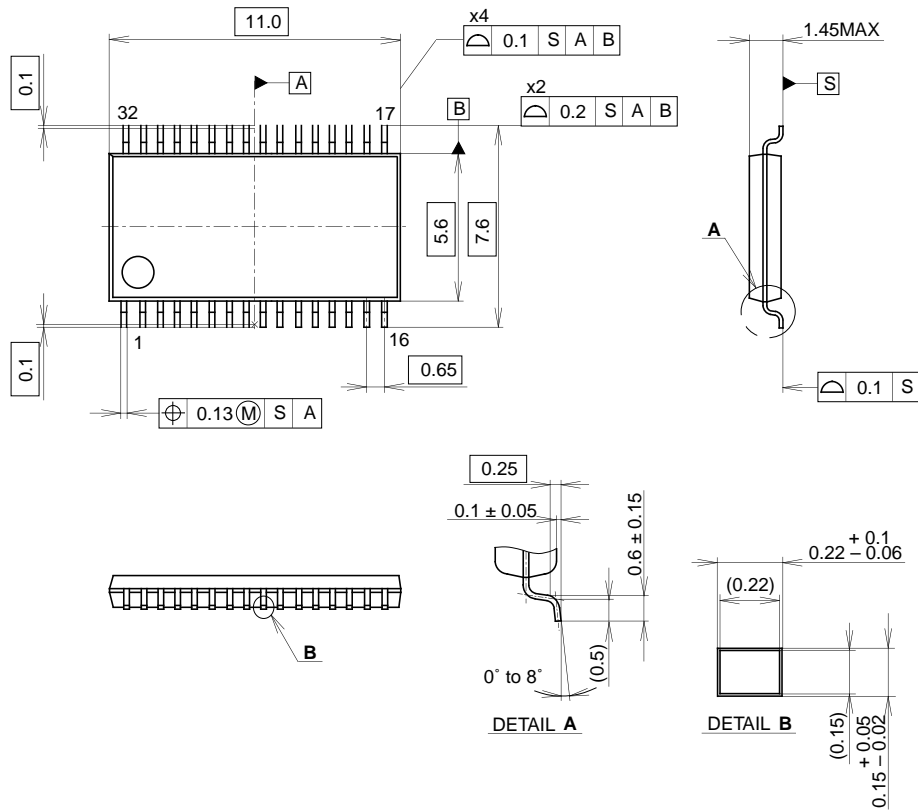
IF Output Impedance



[查询"CXA3252N"供应商](#)

Package Outline Unit : mm

32PIN SSOP(PLASTIC)



PACKAGE STRUCTURE

SONY CODE	SSOP-32P-L01
EIAJ CODE	SSOP032-P-0056
JEDEC CODE	_____

PACKAGE MATERIAL	EPOXY RESIN
LEAD TREATMENT	PALLADIUM PLATING
LEAD MATERIAL	COPPER ALLOY
PACKAGE MASS	0.1g