

# MICROCHIP 24AA128/24LC128/24FC128

## 128K I<sup>2</sup>C™ CMOS Serial EEPROM

### Device Selection Table

| Part Number | V <sub>cc</sub> Range | Max. Clock Frequency   | Temp. Ranges |
|-------------|-----------------------|------------------------|--------------|
| 24AA128     | 1.8-5.5V              | 400 kHz <sup>(1)</sup> | I            |
| 24LC128     | 2.5-5.5V              | 400 kHz                | I, E         |
| 24FC128     | 2.5-5.5V              | 1 MHz                  | I            |

**Note 1:** 100 kHz for V<sub>cc</sub> < 2.5V.

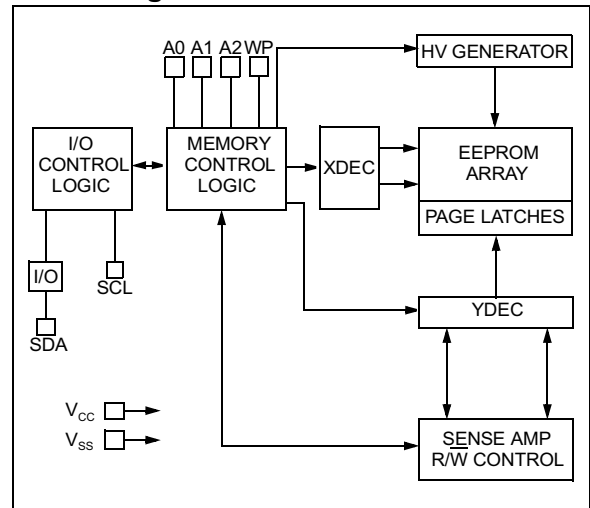
### Features

- Low power CMOS technology
  - Maximum write current 3 mA at 5.5V
  - Maximum read current 400 μA at 5.5V
  - Standby current 100 nA typical at 5.5V
- 2-wire serial interface bus, I<sup>2</sup>C™ compatible
- Cascadable for up to eight devices
- Self-timed ERASE/WRITE cycle
- 64-byte page-write mode available
- 5 ms max write-cycle time
- Hardware write protect for entire array
- Output slope control to eliminate ground bounce
- Schmitt trigger inputs for noise suppression
- 1,000,000 erase/write cycles
- Electrostatic discharge protection > 4000V
- Data retention > 200 years
- 8-pin PDIP, SOIC, TSSOP and MLF packages
- 14-lead TSSOP package
- Temperature ranges:
  - Industrial (I): -40°C to +85°C
  - Automotive (E): -40°C to +125°C

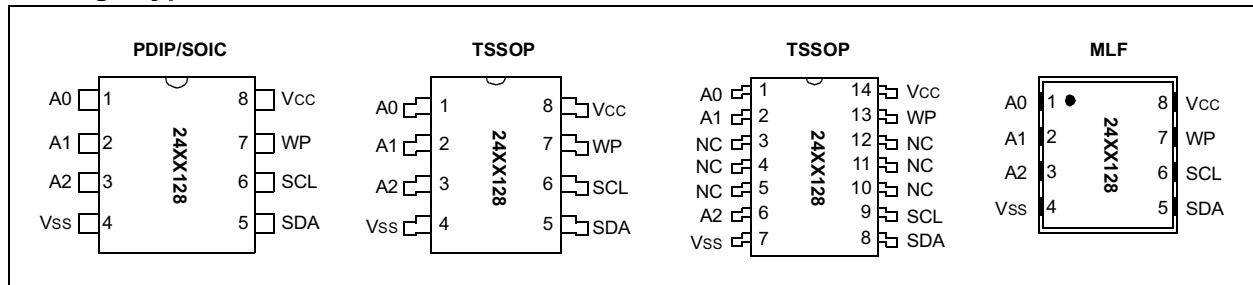
### Description

The Microchip Technology Inc. 24AA128/24LC128/24FC128 (24XX128\*) is a 16K x 8 (128 Kbit) Serial Electrically Erasable PROM (EEPROM), capable of operation across a broad voltage range (1.8V to 5.5V). It has been developed for advanced, low power applications such as personal communications or data acquisition. This device also has a page-write capability of up to 64 bytes of data. This device is capable of both random and sequential reads up to the 128K boundary. Functional address lines allow up to eight devices on the same bus, for up to 1 Mbit address space. This device is available in the standard 8-pin plastic DIP, SOIC (150 and 208 mil), TSSOP, MLF and 14-lead TSSOP packages.

### Block Diagram



### Package Type



\*24XX128 is used in this document as a generic part number for the 24AA128/24LC128/24FC128 devices.

# 24AA128/24LC128/24FC128

[查询"24AA128-I/ST14"供应商](#)

## 1.0 ELECTRICAL CHARACTERISTICS

### Absolute Maximum Ratings†

|   |                                |
|---|--------------------------------|
| V <sub>CC</sub> .....                               | 6.5V                           |
| All inputs and outputs w.r.t. V <sub>SS</sub> ..... | -0.6V to V <sub>CC</sub> +1.0V |
| Storage temperature .....                           | -65°C to +150°C                |
| Ambient temp. with power applied .....              | -65°C to +125°C                |
| ESD protection on all pins.....                     | ≥ 4 KV                         |

† NOTICE: Stresses above those listed under "Maximum Ratings" may cause permanent damage to the device. This is a stress rating only and functional operation of the device at those or any other conditions above those indicated in the operational listings of this specification is not implied. Exposure to maximum rating conditions for extended periods may affect device reliability.

### 1.1 DC Characteristics

| DC CHARACTERISTICS |                                       |  | Industrial (I): V <sub>CC</sub> = +1.8V to 5.5V T <sub>AMB</sub> = -40°C to +85°C<br>Automotive (E): V <sub>CC</sub> = +2.5V to 5.5V T <sub>AMB</sub> = -40°C to 125°C |  |       |  |
|--------------------|---------------------------------------|--|--|--|-------|--|
| Param. No.         | Sym.                                  | Characteristic                                       | Min.   | Max.                                       | Units | Conditions   |
| D1                 | —                                     | A0, A1, A2, SCL, SDA, and WP pins:                   | —  | —  | —     | —  |
| D2                 | V <sub>IH</sub>                       | High level input voltage                             | 0.7 V <sub>CC</sub>  | —  | V     | —  |
| D3                 | V <sub>IL</sub>                       | Low level input voltage                              | —  | 0.3 V <sub>CC</sub><br>0.2 V <sub>CC</sub> | V     | V <sub>CC</sub> ≥ 2.5V<br>V <sub>CC</sub> < 2.5V   |
| D4                 | V <sub>HYS</sub>                      | Hysteresis of Schmitt Trigger inputs (SDA, SCL pins) | 0.05 V <sub>CC</sub>   | —  | V     | V <sub>CC</sub> ≥ 2.5V (Note)  |
| D5                 | V <sub>OL</sub>                       | Low level output voltage                             | —  | 0.40                                       | V     | I <sub>OL</sub> = 3.0 mA @ V <sub>CC</sub> = 4.5V<br>I <sub>OL</sub> = 2.1 mA @ V <sub>CC</sub> = 2.5V   |
| D6                 | I <sub>LI</sub>                       | Input leakage current                                | -10  | 10   | μA    | V <sub>IN</sub> = V <sub>SS</sub> or V <sub>CC</sub> , WP = V <sub>SS</sub><br>V <sub>IN</sub> = V <sub>SS</sub> or V <sub>CC</sub> , WP = V <sub>CC</sub> |
| D7                 | I <sub>LO</sub>                       | Output leakage current                               | -10  | 10   | μA    | V <sub>OUT</sub> = V <sub>SS</sub> or V <sub>CC</sub>  |
| D8                 | C <sub>IN</sub> ,<br>C <sub>OUT</sub> | Pin capacitance (all inputs/outputs)                 | —  | 10   | pF    | V <sub>CC</sub> = 5.0V (Note)<br>T <sub>AMB</sub> = 25°C, f <sub>c</sub> = 1 MHz   |
| D9                 | I <sub>CC</sub> Read                  | Operating current                                    | —  | 400  | μA    | V <sub>CC</sub> = 5.5V, SCL = 400 kHz  |
|                    | I <sub>CC</sub> Write                 |  | —  | 3  | mA    | V <sub>CC</sub> = 5.5V   |
| D10                | I <sub>CCS</sub>                      | Standby current                                      | —  | 1  | μA    | T <sub>AMB</sub> = -40°C to +85°C<br>SCL = SDA = V <sub>CC</sub> = 5.5V<br>A0, A1, A2, WP = V <sub>SS</sub>  |
|                    |                                       |  | —  | 5  | μA    | T <sub>AMB</sub> = -40°C to 125°C<br>SCL = SDA = V <sub>CC</sub> = 5.5V<br>A0, A1, A2, WP = V <sub>SS</sub>  |

**Note:** This parameter is periodically sampled and not 100% tested.

# 24AA128/24LC128/24FC128

查询"24AA128-I/ST14"供应商

## 1.2 AC Characteristics

| AC CHARACTERISTICS |                      |   | Industrial (I):<br>Automotive (E): | V <sub>CC</sub> = +1.8V to 5.5V<br>V <sub>CC</sub> = +2.5V to 5.5V | T <sub>AMB</sub> = -40°C to +85°C<br>T <sub>AMB</sub> = -40°C to 125°C |   |
|--------------------|----------------------|---|------------------------------------|--|--|---|
| Param. No.         | Sym.                 | Characteristic  | Min.                               | Max.   | Units  | Conditions  |
| 1                  | FCLK                 | Clock frequency   | —<br>—<br>—                        | 100<br>400<br>1000   | kHz  | 1.8V ≤ V <sub>CC</sub> ≤ 2.5V<br>2.5V ≤ V <sub>CC</sub> ≤ 5.5V<br>2.5V ≤ V <sub>CC</sub> ≤ 5.5V 24FC128 |
| 2                  | THIGH                | Clock high time   | 4000<br>600<br>500                 | —<br>—<br>—  | ns   | 1.8V ≤ V <sub>CC</sub> ≤ 2.5V<br>2.5V ≤ V <sub>CC</sub> ≤ 5.5V<br>2.5V ≤ V <sub>CC</sub> ≤ 5.5V 24FC128 |
| 3                  | TLOW                 | Clock low time  | 4700<br>1300<br>500                | —<br>—<br>—  | ns   | 1.8V ≤ V <sub>CC</sub> ≤ 2.5V<br>2.5V ≤ V <sub>CC</sub> ≤ 5.5V<br>2.5V ≤ V <sub>CC</sub> ≤ 5.5V 24FC128 |
| 4                  | TR                   | SDA and SCL rise time<br>(Note 1)   | —<br>—<br>—                        | 1000<br>300<br>300   | ns   | 1.8V ≤ V <sub>CC</sub> ≤ 2.5V<br>2.5V ≤ V <sub>CC</sub> ≤ 5.5V<br>2.5V ≤ V <sub>CC</sub> ≤ 5.5V 24FC128 |
| 5                  | TF                   | SDA and SCL fall time<br>(Note 1)   | —<br>—                             | 300<br>100   | ns   | All except, 24FC128<br>2.5V ≤ V <sub>CC</sub> ≤ 5.5V 24FC128  |
| 6                  | THD:STA              | START condition hold time   | 4000<br>600<br>250                 | —<br>—<br>—  | ns   | 1.8V ≤ V <sub>CC</sub> ≤ 2.5V<br>2.5V ≤ V <sub>CC</sub> ≤ 5.5V<br>2.5V ≤ V <sub>CC</sub> ≤ 5.5V 24FC128 |
| 7                  | T <sub>SU</sub> :STA | START condition setup time  | 4700<br>600<br>250                 | —<br>—<br>—  | ns   | 1.8V ≤ V <sub>CC</sub> ≤ 2.5V<br>2.5V ≤ V <sub>CC</sub> ≤ 5.5V<br>2.5V ≤ V <sub>CC</sub> ≤ 5.5V 24FC128 |
| 8                  | THD:DAT              | Data input hold time  | 0                                  | —  | ns   | (Note 2)  |
| 9                  | T <sub>SU</sub> :DAT | Data input setup time   | 250<br>100<br>100                  | —<br>—<br>—  | ns   | 1.8V ≤ V <sub>CC</sub> ≤ 2.5V<br>2.5V ≤ V <sub>CC</sub> ≤ 5.5V<br>2.5V ≤ V <sub>CC</sub> ≤ 5.5V 24FC128 |
| 10                 | T <sub>SU</sub> :STO | STOP condition setup time   | 4000<br>600<br>250                 | —<br>—<br>—  | ns   | 1.8V ≤ V <sub>CC</sub> ≤ 2.5V<br>2.5V ≤ V <sub>CC</sub> ≤ 5.5V<br>2.5V ≤ V <sub>CC</sub> ≤ 5.5V 24FC128 |
| 11                 | T <sub>SU</sub> :WP  | WP setup time   | 4000<br>600<br>600                 | —<br>—<br>—  | ns   | 1.8V ≤ V <sub>CC</sub> ≤ 2.5V<br>2.5V ≤ V <sub>CC</sub> ≤ 5.5V<br>2.5V ≤ V <sub>CC</sub> ≤ 5.5V 24FC128 |
| 12                 | THD:WP               | WP hold time  | 4700<br>1300<br>1300               | —<br>—<br>—  | ns   | 1.8V ≤ V <sub>CC</sub> ≤ 2.5V<br>2.5V ≤ V <sub>CC</sub> ≤ 5.5V<br>2.5V ≤ V <sub>CC</sub> ≤ 5.5V 24FC128 |
| 13                 | TAA                  | Output valid from clock<br>(Note 2)   | —<br>—<br>—                        | 3500<br>900<br>400   | ns   | 1.8V ≤ V <sub>CC</sub> ≤ 2.5V<br>2.5V ≤ V <sub>CC</sub> ≤ 5.5V<br>2.5V ≤ V <sub>CC</sub> ≤ 5.5V 24FC128 |
| 14                 | TBUF                 | Bus free time: Time the bus must be free before a new transmission can start                        | 4700<br>1300<br>500                | —<br>—<br>—  | ns   | 1.8V ≤ V <sub>CC</sub> ≤ 2.5V<br>2.5V ≤ V <sub>CC</sub> ≤ 5.5V<br>2.5V ≤ V <sub>CC</sub> ≤ 5.5V 24FC128 |
| 15                 | TOF                  | Output fall time from V <sub>IH</sub> minimum to V <sub>IL</sub> maximum<br>C <sub>B</sub> ≤ 100 pF | 10 + 0.1C <sub>B</sub>             | 250<br>250   | ns   | All except, 24FC128 (Note 1)<br>24FC128 (Note 1)  |
| 16                 | TSP                  | Input filter spike suppression (SDA and SCL pins)   | —                                  | 50   | ns   | All except, 24FC128 (Notes 1 and 3)   |
| 17                 | TWC                  | Write cycle time (byte or page)   | —                                  | 5  | ms   | —   |
| 18                 | —                    | Endurance   | 1,000,000                          | —  | cycles   | 25°C, V <sub>CC</sub> = 5.0V, Block Mode (Note 4)   |

**Note 1:** Not 100% tested. C<sub>B</sub> = total capacitance of one bus line in pF.

**Note 2:** As a transmitter, the device must provide an internal minimum delay time to bridge the undefined region (minimum 300 ns) of the falling edge of SCL to avoid unintended generation of START or STOP conditions.

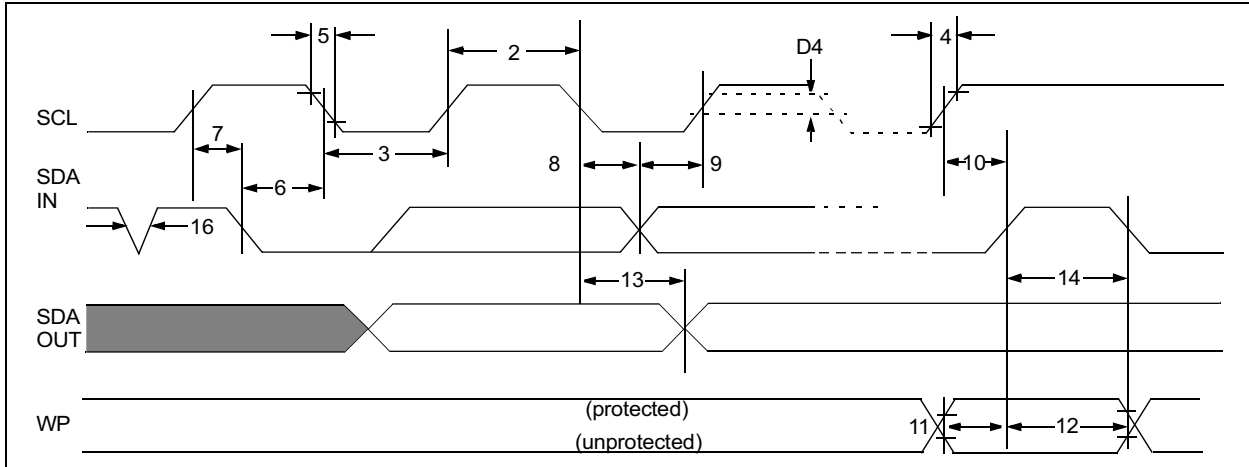
**Note 3:** The combined TSP and V<sub>HYS</sub> specifications are due to new Schmitt trigger inputs which provide improved noise spike suppression. This eliminates the need for a T<sub>I</sub> specification for standard operation.

**Note 4:** This parameter is not tested but ensured by characterization. For endurance estimates in a specific application, please consult the Total Endurance Model which can be obtained on Microchip's website: [www.microchip.com](http://www.microchip.com).

# 24AA128/24LC128/24FC128

[查询"24AA128-I/ST14"供应商](#)

FIGURE 1-1: BUS TIMING DATA



# 24AA128/24LC128/24FC128

[查询"24AA128-I/ST14"供应商](#)

## 2.0 PIN DESCRIPTIONS

The descriptions of the pins are listed in Table 2-1.

**TABLE 2-1: PIN FUNCTION TABLE**

| Name | PDIP | SOIC | 8-pin TSSOP | 14-lead TSSOP | MLF | Function   |
|------|------|------|-------------|---------------|-----|--|
| A0   | 1    | 1    | 1           | 1             | 1   | User Configurable Chip Select  |
| A1   | 2    | 2    | 2           | 2             | 2   | User Configurable Chip Select  |
| (NC) | —    | —    | —           | 3, 4, 5       | —   | Not Connected  |
| A2   | 3    | 3    | 3           | 6             | 3   | User Configurable Chip Select  |
| Vss  | 4    | 4    | 4           | 7             | 4   | Ground   |
| SDA  | 5    | 5    | 5           | 8             | 5   | Serial Data  |
| SCL  | 6    | 6    | 6           | 9             | 6   | Serial Clock   |
| (NC) | —    | —    | —           | 10, 11,12     | —   | Not Connected  |
| WP   | 7    | 7    | 7           | 13            | 7   | Write Protect Input  |
| Vcc  | 8    | 8    | 8           | 14            | 8   | +1.8 to 5.5V (24AA128)<br>+2.5 to 5.5V (24LC128)<br>+2.5 to 5.5V (24FC128) |

### 2.1 A0, A1, A2 Chip Address Inputs

The A0, A1, A2 inputs are used by the 24XX128 for multiple device operations. The levels on these inputs are compared with the corresponding bits in the slave address. The chip is selected if the compare is true.

Up to eight devices may be connected to the same bus by using different chip select bit combinations. If left unconnected, these inputs will be pulled down internally to Vss.

### 2.2 Serial Data (SDA)

This is a bi-directional pin used to transfer addresses and data into and data out of the device. It is an open-drain terminal, therefore, the SDA bus requires a pull-up resistor to Vcc (typical 10 K $\Omega$  for 100 kHz, 2 K $\Omega$  for 400 kHz and 1 MHz).

For normal data transfer SDA is allowed to change only during SCL LOW. Changes during SCL HIGH are reserved for indicating the START and STOP conditions.

### 2.3 Serial Clock (SCL)

This input is used to synchronize the data transfer from and to the device.

### 2.4 Write Protect (WP)

This pin can be connected to either Vss, Vcc or left floating. An internal pull-down resistor on this pin will keep the device in the unprotected state if left floating. If tied to Vss or left floating, normal memory operation is enabled (read/write the entire memory 0000-3FFF).

If tied to Vcc, WRITE operations are inhibited. Read operations are not affected.

## 3.0 FUNCTIONAL DESCRIPTION

The 24XX128 supports a bi-directional 2-wire bus and data transmission protocol. A device that sends data onto the bus is defined as a transmitter, and a device receiving data as a receiver. The bus must be controlled by a master device which generates the serial clock (SCL), controls the bus access and generates the START and STOP conditions while the 24XX128 works as a slave. Both master and slave can operate as a transmitter or receiver, but the master device determines which mode is activated.

# 24AA128/24LC128/24FC128

[查询"24AA128-I/ST14"供应商](#)

## 4.0 BUS CHARACTERISTICS

The following **bus protocol** has been defined:

- Data transfer may be initiated only when the bus is not busy.
- During data transfer, the data line must remain stable whenever the clock line is HIGH. Changes in the data line while the clock line is HIGH will be interpreted as a START or STOP condition.

Accordingly, the following bus conditions have been defined (Figure 4-1).

### 4.1 Bus not Busy (A)

Both data and clock lines remain HIGH.

### 4.2 Start Data Transfer (B)

A HIGH to LOW transition of the SDA line while the clock (SCL) is HIGH determines a START condition. All commands must be preceded by a START condition.

### 4.3 Stop Data Transfer (C)

A LOW to HIGH transition of the SDA line while the clock (SCL) is HIGH determines a STOP condition. All operations must end with a STOP condition.

### 4.4 Data Valid (D)

The state of the data line represents valid data when, after a START condition, the data line is stable for the duration of the HIGH period of the clock signal.

The data on the line must be changed during the LOW period of the clock signal. There is one bit of data per clock pulse.

Each data transfer is initiated with a START condition and terminated with a STOP condition. The number of the data bytes transferred between the START and STOP conditions is determined by the master device.

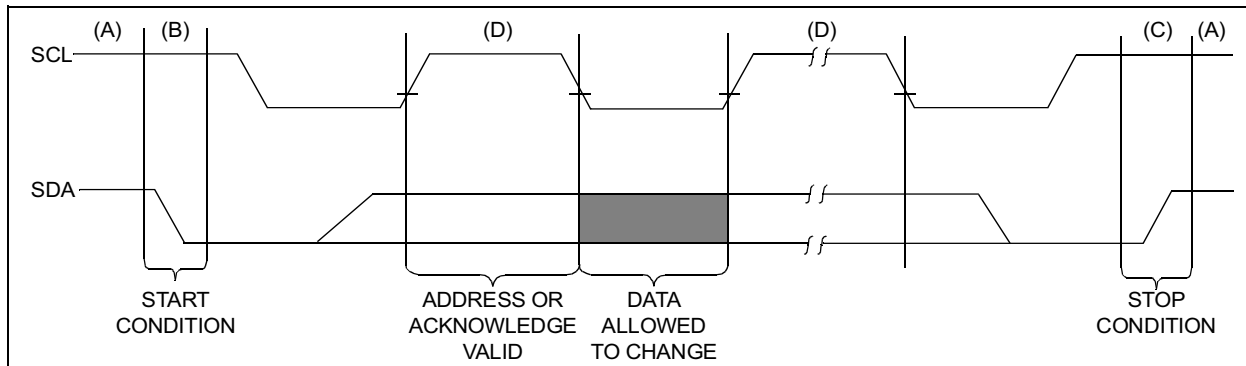
## 4.5 Acknowledge

Each receiving device, when addressed, is obliged to generate an acknowledge signal after the reception of each byte. The master device must generate an extra clock pulse which is associated with this acknowledge bit.

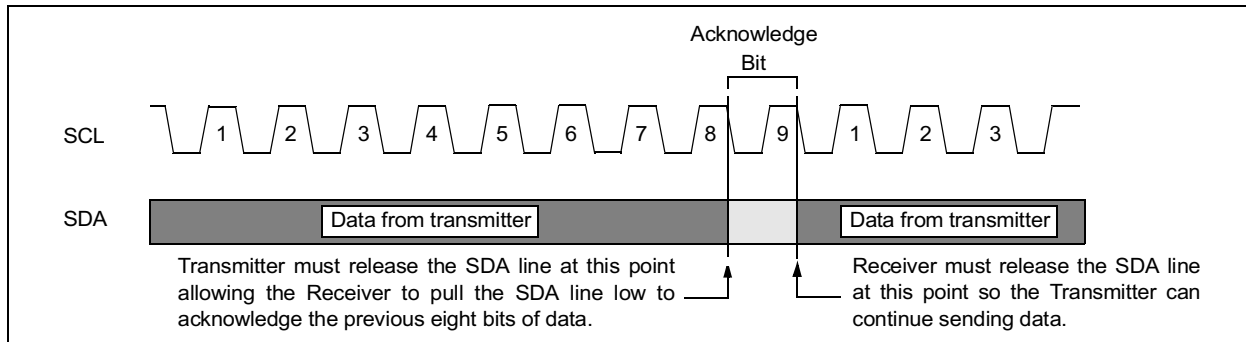
**Note:** The 24XX128 does not generate any acknowledge bits if an internal programming cycle is in progress.

A device that acknowledges must pull down the SDA line during the acknowledge clock pulse in such a way that the SDA line is stable LOW during the HIGH period of the acknowledge related clock pulse. Of course, setup and hold times must be taken into account. During reads, a master must signal an end of data to the slave by NOT generating an acknowledge bit on the last byte that has been clocked out of the slave. In this case, the slave (24XX128) will leave the data line HIGH to enable the master to generate the STOP condition.

**FIGURE 4-1: DATA TRANSFER SEQUENCE ON THE SERIAL BUS**



**FIGURE 4-2: ACKNOWLEDGE TIMING**



# 24AA128/24LC128/24FC128

[查询"24AA128-I/ST14"供应商](#)

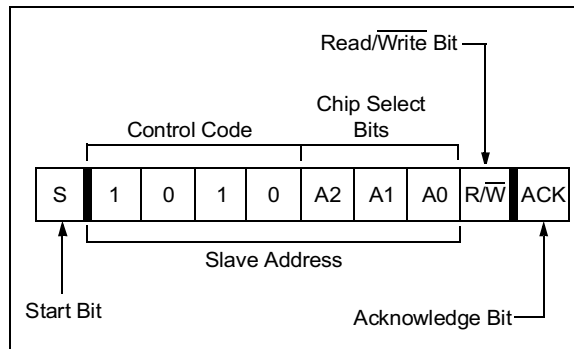
## 5.0 DEVICE ADDRESSING

A control byte is the first byte received following the start condition from the master device (Figure 5-1). The control byte consists of a 4-bit control code; for the 24XX128 this is set as 1010 binary for read and write operations. The next three bits of the control byte are the chip select bits (A2, A1, A0). The chip select bits allow the use of up to eight 24XX128 devices on the same bus and are used to select which device is accessed. The chip select bits in the control byte must correspond to the logic levels on the corresponding A2, A1 and A0 pins for the device to respond. These bits are in effect the three most significant bits of the word address.

The last bit of the control byte defines the operation to be performed. When set to a one a read operation is selected, and when set to a zero a write operation is selected. The next two bytes received define the address of the first data byte (Figure 5-2). Because only A13...A0 are used, the upper two address bits are don't care bits. The upper address bits are transferred first, followed by the less significant bits.

Following the start condition, the 24XX128 monitors the SDA bus checking the device type identifier being transmitted. Upon receiving a 1010 code and appropriate device select bits, the slave device outputs an acknowledge signal on the SDA line. Depending on the state of the R/W bit, the 24XX128 will select a read or write operation.

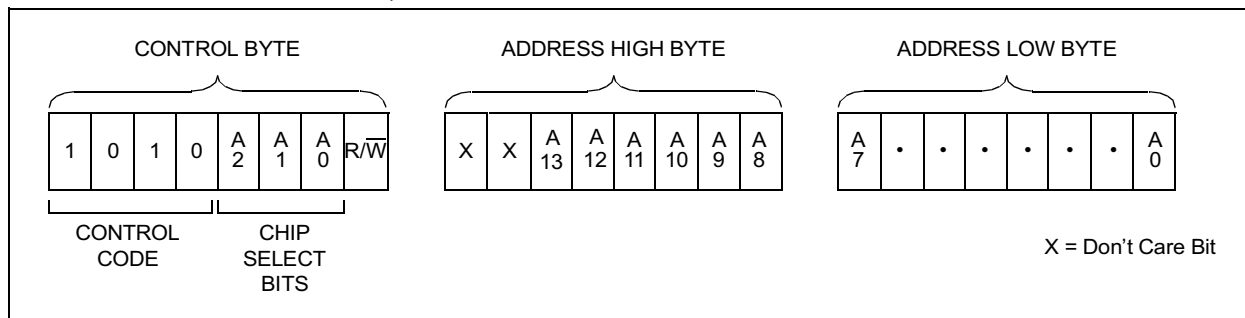
FIGURE 5-1: CONTROL BYTE FORMAT



### 5.1 Contiguous Addressing Across Multiple Devices

The chip select bits A2, A1, A0 can be used to expand the contiguous address space for up to 1 Mbit by adding up to eight 24XX128's on the same bus. In this case, software can use A0 of the **control byte** as address bit A14; A1, as address bit A15; and A2, as address bit A16. It is not possible to sequentially read across device boundaries.

FIGURE 5-2: ADDRESS SEQUENCE BIT ASSIGNMENTS



# 24AA128/24LC128/24FC128

[查询"24AA128-I/ST14"供应商](#)

## 6.0 WRITE OPERATIONS

### 6.1 Byte Write

Following the start condition from the master, the control code (four bits), the chip select (three bits), and the  $R/\overline{W}$  bit (which is a logic low) are clocked onto the bus by the master transmitter. This indicates to the addressed slave receiver that the address high byte will follow after it has generated an acknowledge bit during the ninth clock cycle. Therefore, the next byte transmitted by the master is the high-order byte of the word address and will be written into the address pointer of the 24XX128. The next byte is the least significant address byte. After receiving another acknowledge signal from the 24XX128, the master device will transmit the data word to be written into the addressed memory location. The 24XX128 acknowledges again and the master generates a stop condition. This initiates the internal write cycle, and, during this time, the 24XX128 will not generate acknowledge signals (Figure 6-1). If an attempt is made to write to the array with the WP pin held high, the device will acknowledge the command but no write cycle will occur, no data will be written, and the device will immediately accept a new command. After a byte write command, the internal address counter will point to the address location following the one that was just written.

### 6.2 Page Write

The write control byte, word address, and the first data byte are transmitted to the 24XX128 in the same way as in a byte write. But instead of generating a stop condition, the master transmits up to 63 additional bytes, which are temporarily stored in the on-chip page buffer and will be written into memory after the master has transmitted a stop condition. After receipt of each word, the six lower address pointer bits are internally incremented by '1'. If the master should transmit more

than 64 bytes prior to generating the stop condition, the address counter will roll over and the previously received data will be overwritten. As with the byte write operation, once the stop condition is received, an internal write cycle will begin (Figure 6-2). If an attempt is made to write to the array with the WP pin held high, the device will acknowledge the command but no write cycle will occur, no data will be written, and the device will immediately accept a new command.

### 6.3 Write Protection

The WP pin allows the user to write-protect the entire array (0000-3FFF) when the pin is tied to VCC. If tied to VSS or left floating, the write protection is disabled. The WP pin is sampled at the STOP bit for every write command (Figure 1-1) Toggling the WP pin after the STOP bit will have no effect on the execution of the write cycle.

**Note:** Page write operations are limited to writing bytes within a single physical page, **regardless** of the number of bytes actually being written. Physical page boundaries start at addresses that are integer multiples of the page buffer size (or 'page size') and end at addresses that are integer multiples of [page size - 1]. If a page write command attempts to write across a physical page boundary, the result is that the data wraps around to the beginning of the current page (overwriting data previously stored there), instead of being written to the next page as might be expected. It is therefore necessary for the application software to prevent page write operations that would attempt to cross a page boundary.

FIGURE 6-1: BYTE WRITE

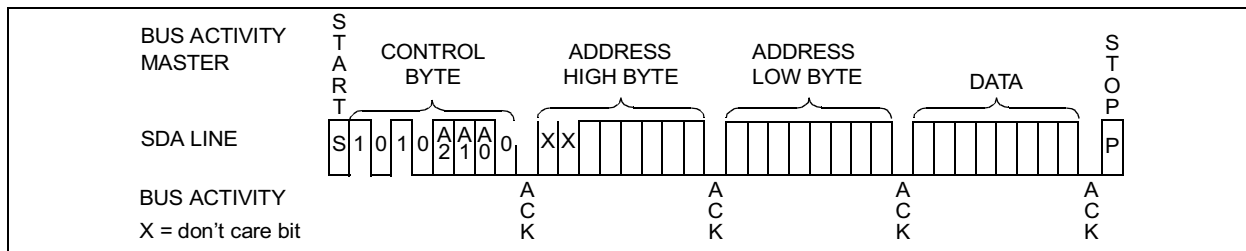
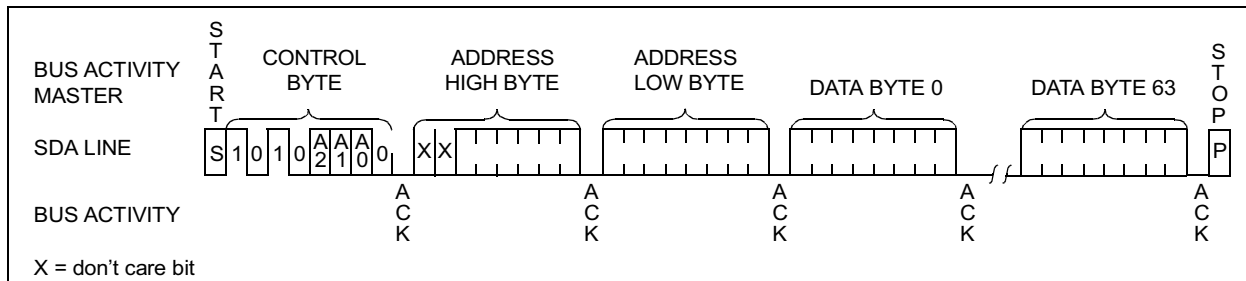


FIGURE 6-2: PAGE WRITE



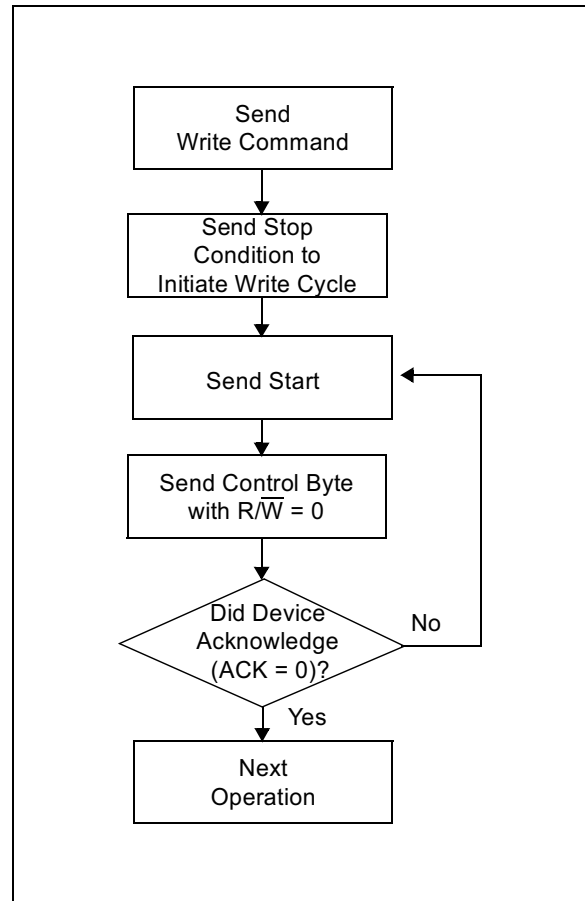


[查询"24AA128-I/ST14"供应商](#)

## 7.0 ACKNOWLEDGE POLLING

Since the device will not acknowledge during a write cycle, this can be used to determine when the cycle is complete (This feature can be used to maximize bus throughput.) Once the STOP condition for a write command has been issued from the master, the device initiates the internally timed write cycle. ACK polling can be initiated immediately. This involves the master sending a START condition, followed by the control byte for a write command ( $R/\overline{W} = 0$ ). If the device is still busy with the write cycle, then no ACK will be returned. If no ACK is returned, then the start bit and control byte must be resent. If the cycle is complete, then the device will return the ACK, and the master can then proceed with the next read or write command. See Figure 7-1 for flow diagram.

FIGURE 7-1: ACKNOWLEDGE POLLING FLOW



# 24AA128/24LC128/24FC128

[查询"24AA128-I/ST14"供应商](#)

## 8.0 READ OPERATION

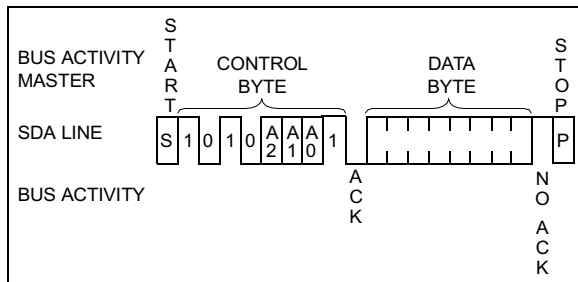
Read operations are initiated in the same way as write operations with the exception that the  $\overline{R/W}$  bit of the control byte is set to '1'. There are three basic types of read operations: current address read, random read and sequential read.

### 8.1 Current Address Read

The 24XX128 contains an address counter that maintains the address of the last word accessed, internally incremented by '1'. Therefore, if the previous read access was to address  $n$  ( $n$  is any legal address), the next current address read operation would access data from address  $n + 1$ .

Upon receipt of the control byte with  $\overline{R/W}$  bit set to '1', the 24XX128 issues an acknowledge and transmits the 8-bit data word. The master will not acknowledge the transfer but does generate a STOP condition and the 24XX128 discontinues transmission (Figure 8-1).

**FIGURE 8-1: CURRENT ADDRESS READ**



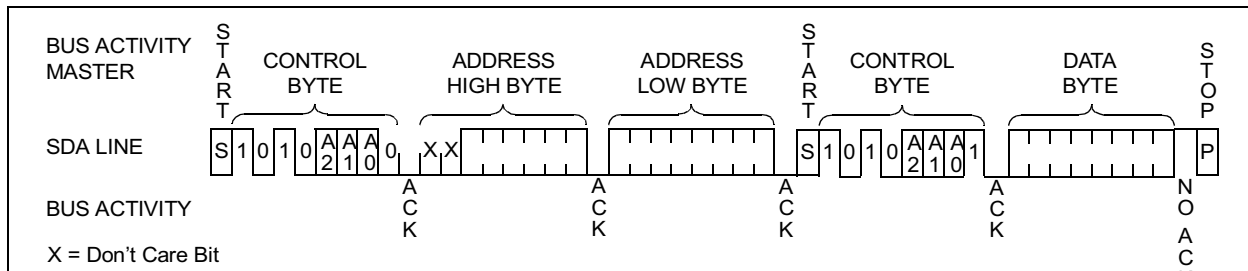
### 8.2 Random Read

Random read operations allow the master to access any memory location in a random manner. To perform this type of read operation, first the word address must be set. This is done by sending the word address to the 24XX128 as part of a write operation ( $\overline{R/W}$  bit set to '0'). After the word address is sent, the master generates a start condition following the acknowledge. This terminates the write operation, but not before the internal address pointer is set. Then, the master issues the control byte again but with the  $\overline{R/W}$  bit set to a '1'. The 24XX128 will then issue an acknowledge and transmit the 8-bit data word. The master will not acknowledge the transfer but does generate a stop condition which causes the 24XX128 to discontinue transmission (Figure 8-2). After a random read command, the internal address counter will point to the address location following the one that was just read.

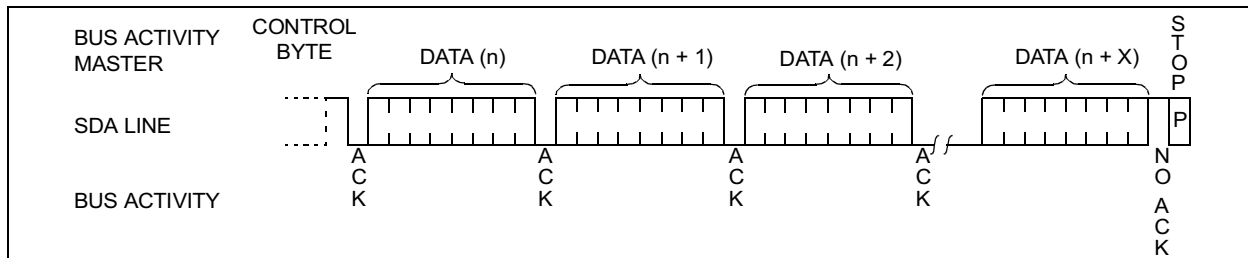
### 8.3 Sequential Read

Sequential reads are initiated in the same way as a random read except that after the 24XX128 transmits the first data byte, the master issues an acknowledge as opposed to the STOP condition used in a random read. This acknowledge directs the 24XX128 to transmit the next sequentially addressed 8-bit word (Figure 8-3). Following the final byte transmitted to the master, the master will NOT generate an acknowledge but will generate a STOP condition. To provide sequential reads, the 24XX128 contains an internal address pointer which is incremented by one at the completion of each operation. This address pointer allows the entire memory contents to be serially read during one operation. The internal address pointer will automatically roll over from address 3FFF to address 0000 if the master acknowledges the byte received from the array address 3FFF.

**FIGURE 8-2: RANDOM READ**



**FIGURE 8-3: SEQUENTIAL READ**



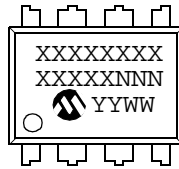
# 24AA128/24LC128/24FC128

[查询"24AA128-I/ST14"供应商](#)

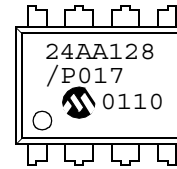
## 9.0 PACKAGING INFORMATION

### 9.1 Package Marking Information

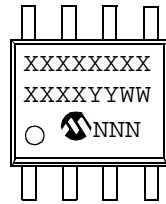
8-Lead PDIP (300 mil)



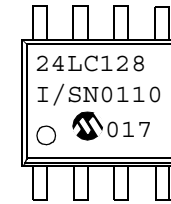
Example:



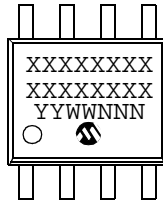
8-Lead SOIC (150 mil)



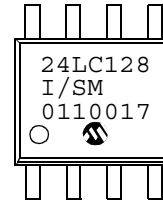
Example:



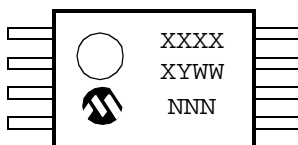
8-Lead SOIC (208 mil)



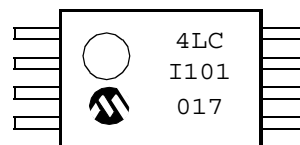
Example:



8-Lead TSSOP



Example:



**Legend:** XX...X Customer specific information\*  
Y Year code (last digit of calendar year)  
YY Year code (last 2 digits of calendar year)  
WW Week code (week of January 1 is week '01')  
NNN Alphanumeric traceability code

**Note:** In the event the full Microchip part number cannot be marked on one line, it will be carried over to the next line thus limiting the number of available characters for customer specific information.

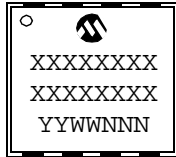
\* Standard device marking consists of Microchip part number, year code, week code, and traceability code. For device marking beyond this, certain price adders apply. Please check with your Microchip Sales Office.

# 24AA128/24LC128/24FC128

[查询"24AA128-I/ST14"供应商](#)

## Package Marking Information (Continued)

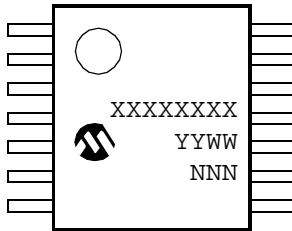
8-Lead MLF



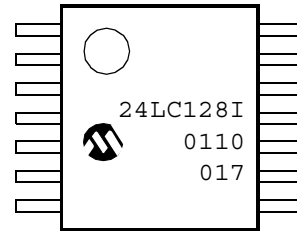
Example:



14-Lead TSSOP



Example:



|                |        |  |
|----------------|--------|--|
| <b>Legend:</b> | XX...X | Customer specific information*             |
|                | Y      | Year code (last digit of calendar year)    |
|                | YY     | Year code (last 2 digits of calendar year) |
|                | WW     | Week code (week of January 1 is week '01') |
|                | NNN    | Alphanumeric traceability code             |

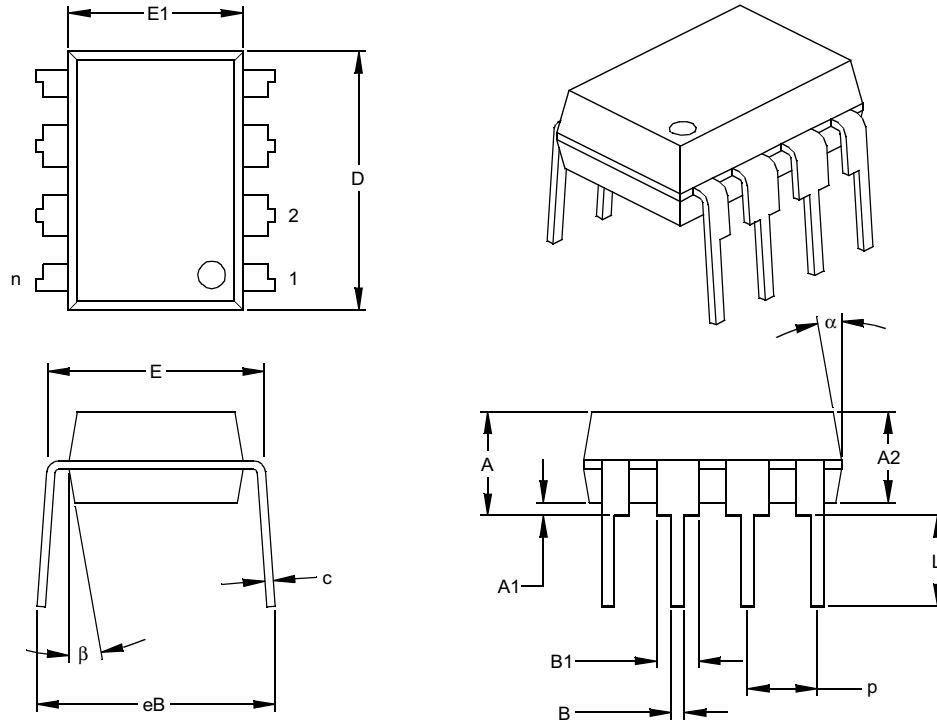
**Note:** In the event the full Microchip part number cannot be marked on one line, it will be carried over to the next line thus limiting the number of available characters for customer specific information.

\* Standard device marking consists of Microchip part number, year code, week code, and traceability code. For device marking beyond this, certain price adders apply. Please check with your Microchip Sales Office.

# 24AA128/24LC128/24FC128

[查询"24AA128-I/ST14"供应商](#)

8-Lead Plastic Dual In-line (P) – 300 mil (PDIP)



| Dimension Limits           | Units | INCHES* |      |      | MILLIMETERS |      |       |
|----------------------------|-------|---------|------|------|-------------|------|-------|
|                            |       | MIN     | NOM  | MAX  | MIN         | NOM  | MAX   |
| Number of Pins             | n     |         | 8    |      |             | 8    |       |
| Pitch                      | p     |         | .100 |      |             | 2.54 |       |
| Top to Seating Plane       | A     | .140    | .155 | .170 | 3.56        | 3.94 | 4.32  |
| Molded Package Thickness   | A2    | .115    | .130 | .145 | 2.92        | 3.30 | 3.68  |
| Base to Seating Plane      | A1    | .015    |      |      | 0.38        |      |       |
| Shoulder to Shoulder Width | E     | .300    | .313 | .325 | 7.62        | 7.94 | 8.26  |
| Molded Package Width       | E1    | .240    | .250 | .260 | 6.10        | 6.35 | 6.60  |
| Overall Length             | D     | .360    | .373 | .385 | 9.14        | 9.46 | 9.78  |
| Tip to Seating Plane       | L     | .125    | .130 | .135 | 3.18        | 3.30 | 3.43  |
| Lead Thickness             | c     | .008    | .012 | .015 | 0.20        | 0.29 | 0.38  |
| Upper Lead Width           | B1    | .045    | .058 | .070 | 1.14        | 1.46 | 1.78  |
| Lower Lead Width           | B     | .014    | .018 | .022 | 0.36        | 0.46 | 0.56  |
| Overall Row Spacing        | § eB  | .310    | .370 | .430 | 7.87        | 9.40 | 10.92 |
| Mold Draft Angle Top       | α     | 5       | 10   | 15   | 5           | 10   | 15    |
| Mold Draft Angle Bottom    | β     | 5       | 10   | 15   | 5           | 10   | 15    |

\* Controlling Parameter

§ Significant Characteristic

**Notes:**

Dimensions D and E1 do not include mold flash or protrusions. Mold flash or protrusions shall not exceed .010" (0.254mm) per side.

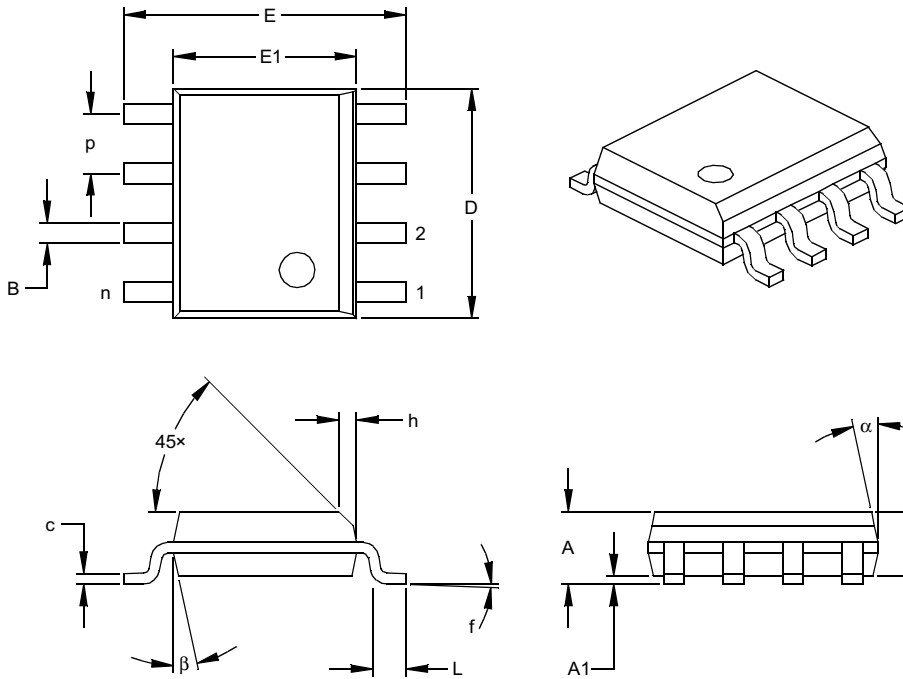
JEDEC Equivalent: MS-001

Drawing No. C04-018

# 24AA128/24LC128/24FC128

[查询"24AA128-I/ST14"供应商](#)

8-Lead Plastic Small Outline (SN) – Narrow, 150 mil (SOIC)



| Units                    |    | INCHES* |      |      | MILLIMETERS |      |      |
|--------------------------|----|---------|------|------|-------------|------|------|
| Dimension Limits         |    | MIN     | NOM  | MAX  | MIN         | NOM  | MAX  |
| Number of Pins           | n  |         | 8    |      |             | 8    |      |
| Pitch                    | p  |         | .050 |      |             | 1.27 |      |
| Overall Height           | A  | .053    | .061 | .069 | 1.35        | 1.55 | 1.75 |
| Molded Package Thickness | A2 | .052    | .056 | .061 | 1.32        | 1.42 | 1.55 |
| Standoff §               | A1 | .004    | .007 | .010 | 0.10        | 0.18 | 0.25 |
| Overall Width            | E  | .228    | .237 | .244 | 5.79        | 6.02 | 6.20 |
| Molded Package Width     | E1 | .146    | .154 | .157 | 3.71        | 3.91 | 3.99 |
| Overall Length           | D  | .189    | .193 | .197 | 4.80        | 4.90 | 5.00 |
| Chamfer Distance         | h  | .010    | .015 | .020 | 0.25        | 0.38 | 0.51 |
| Foot Length              | L  | .019    | .025 | .030 | 0.48        | 0.62 | 0.76 |
| Foot Angle               | f  | 0       | 4    | 8    | 0           | 4    | 8    |
| Lead Thickness           | c  | .008    | .009 | .010 | 0.20        | 0.23 | 0.25 |
| Lead Width               | B  | .013    | .017 | .020 | 0.33        | 0.42 | 0.51 |
| Mold Draft Angle Top     | α  | 0       | 12   | 15   | 0           | 12   | 15   |
| Mold Draft Angle Bottom  | β  | 0       | 12   | 15   | 0           | 12   | 15   |

\* Controlling Parameter

§ Significant Characteristic

**Notes:**

Dimensions D and E1 do not include mold flash or protrusions. Mold flash or protrusions shall not exceed .010" (0.254mm) per side.

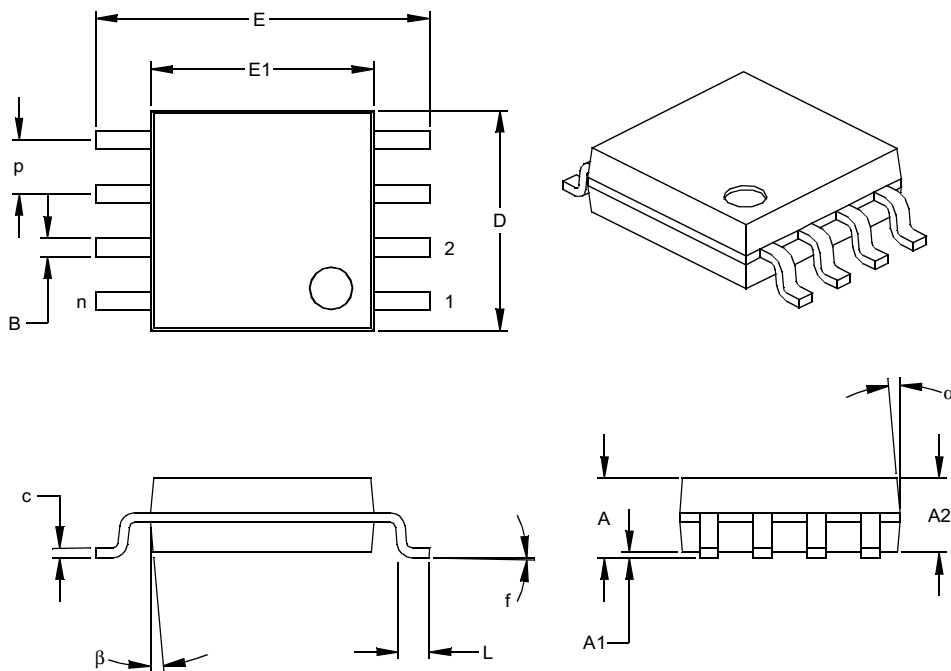
JEDEC Equivalent: MS-012

Drawing No. C04-057

# 24AA128/24LC128/24FC128

[查询"24AA128-I/ST14"供应商](#)

8-Lead Plastic Small Outline (SM) – Medium, 208 mil (SOIC)



| Units                    |    | INCHES* |      |      | MILLIMETERS |      |      |
|--------------------------|----|---------|------|------|-------------|------|------|
| Dimension Limits         |    | MIN     | NOM  | MAX  | MIN         | NOM  | MAX  |
| Number of Pins           | n  |         | 8    |      |             | 8    |      |
| Pitch                    | p  |         | .050 |      |             | 1.27 |      |
| Overall Height           | A  | .070    | .075 | .080 | 1.78        | 1.97 | 2.03 |
| Molded Package Thickness | A2 | .069    | .074 | .078 | 1.75        | 1.88 | 1.98 |
| Standoff §               | A1 | .002    | .005 | .010 | 0.05        | 0.13 | 0.25 |
| Overall Width            | E  | .300    | .313 | .325 | 7.62        | 7.95 | 8.26 |
| Molded Package Width     | E1 | .201    | .208 | .212 | 5.11        | 5.28 | 5.38 |
| Overall Length           | D  | .202    | .205 | .210 | 5.13        | 5.21 | 5.33 |
| Foot Length              | L  | .020    | .025 | .030 | 0.51        | 0.64 | 0.76 |
| Foot Angle               | f  | 0       | 4    | 8    | 0           | 4    | 8    |
| Lead Thickness           | c  | .008    | .009 | .010 | 0.20        | 0.23 | 0.25 |
| Lead Width               | B  | .014    | .017 | .020 | 0.36        | 0.43 | 0.51 |
| Mold Draft Angle Top     | α  | 0       | 12   | 15   | 0           | 12   | 15   |
| Mold Draft Angle Bottom  | β  | 0       | 12   | 15   | 0           | 12   | 15   |

\* Controlling Parameter  
§ Significant Characteristic

**Notes:**

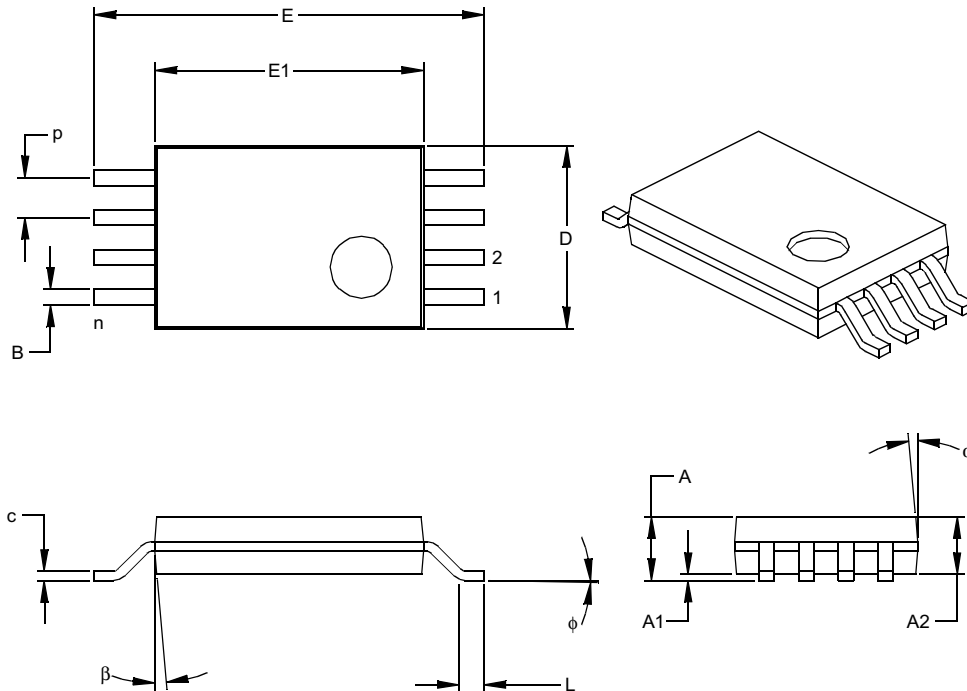
Dimensions D and E1 do not include mold flash or protrusions. Mold flash or protrusions shall not exceed .010" (0.254mm) per side.

Drawing No. C04-056

# 24AA128/24LC128/24FC128

[查询"24AA128-I/ST14"供应商](#)

8-Lead Plastic Thin Shrink Small Outline (ST) – 4.4 mm (TSSOP)



| Dimension Limits         | Units    | INCHES |      |      | MILLIMETERS* |      |      |
|--------------------------|----------|--------|------|------|--------------|------|------|
|                          | n        | MIN    | NOM  | MAX  | MIN          | NOM  | MAX  |
| Number of Pins           | n        |        |      | 8    |              |      | 8    |
| Pitch                    | p        |        | .026 |      |              | 0.65 |      |
| Overall Height           | A        |        |      | .043 |              |      | 1.10 |
| Molded Package Thickness | A2       | .033   | .035 | .037 | 0.85         | 0.90 | 0.95 |
| Standoff §               | A1       | .002   | .004 | .006 | 0.05         | 0.10 | 0.15 |
| Overall Width            | E        | .246   | .251 | .256 | 6.25         | 6.38 | 6.50 |
| Molded Package Width     | E1       | .169   | .173 | .177 | 4.30         | 4.40 | 4.50 |
| Molded Package Length    | D        | .114   | .118 | .122 | 2.90         | 3.00 | 3.10 |
| Foot Length              | L        | .020   | .024 | .028 | 0.50         | 0.60 | 0.70 |
| Foot Angle               | $\phi$   | 0      | 4    | 8    | 0            | 4    | 8    |
| Lead Thickness           | c        | .004   | .006 | .008 | 0.09         | 0.15 | 0.20 |
| Lead Width               | B        | .007   | .010 | .012 | 0.19         | 0.25 | 0.30 |
| Mold Draft Angle Top     | $\alpha$ | 0      | 5    | 10   | 0            | 5    | 10   |
| Mold Draft Angle Bottom  | $\beta$  | 0      | 5    | 10   | 0            | 5    | 10   |

\* Controlling Parameter

§ Significant Characteristic

**Notes:**

Dimensions D and E1 do not include mold flash or protrusions. Mold flash or protrusions shall not exceed .005" (0.127mm) per side.

JEDEC Equivalent: MO-153

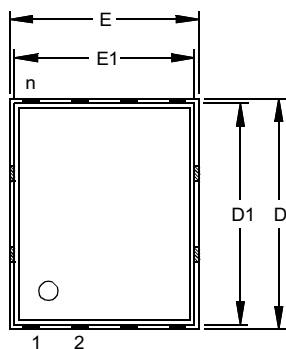
Drawing No. C04-086



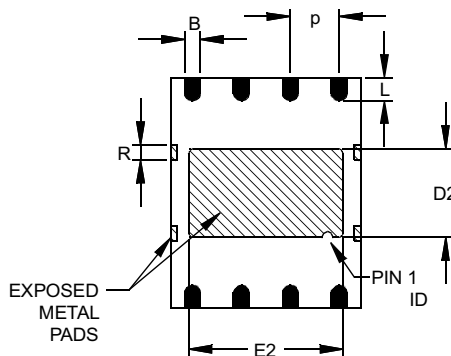
# 24AA128/24LC128/24FC128

[查询"24AA128-I/ST14"供应商](#)

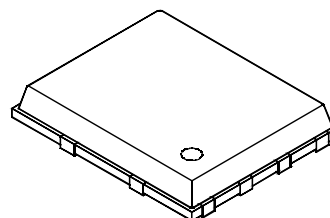
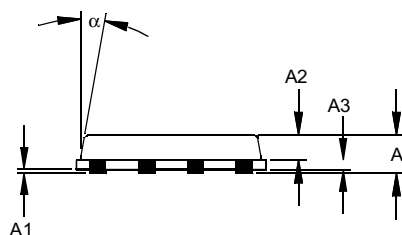
8-Lead Micro Leadframe Package (MF) 6x5 mm Body (MLF-S)



TOP VIEW



BOTTOM VIEW



| Dimension Limits         | Units    | INCHES |           |      | MILLIMETERS* |           |      |
|--------------------------|----------|--------|-----------|------|--------------|-----------|------|
|                          |          | MIN    | NOM       | MAX  | MIN          | NOM       | MAX  |
| Number of Pins           | n        |        | 8         |      |              | 8         |      |
| Pitch                    | P        |        | .050 BSC  |      |              | 1.27 BSC  |      |
| Overall Height           | A        |        | .033      | .039 |              | 0.85      | 1.00 |
| Molded Package Thickness | A2       |        | .026      | .031 |              | 0.65      | 0.80 |
| Standoff                 | A1       | .000   | .0004     | .002 | 0.00         | 0.01      | 0.05 |
| Base Thickness           | A3       |        | .008 REF. |      |              | 0.20 REF. |      |
| Overall Length           | E        |        | .194 BSC  |      |              | 4.92 BSC  |      |
| Molded Package Length    | E1       |        | .184 BSC  |      |              | 4.67 BSC  |      |
| Exposed Pad Length       | E2       | .152   | .158      | .163 | 3.85         | 4.00      | 4.15 |
| Overall Width            | D        |        | .236 BSC  |      |              | 5.99 BSC  |      |
| Molded Package Width     | D1       |        | .226 BSC  |      |              | 5.74 BSC  |      |
| Exposed Pad Width        | D2       | .085   | .091      | .097 | 2.16         | 2.31      | 2.46 |
| Lead Width               | B        | .014   | .016      | .019 | 0.35         | 0.40      | 0.47 |
| Lead Length              | L        | .020   | .024      | .030 | 0.50         | 0.60      | 0.75 |
| Tie Bar Width            | R        |        | .014      |      |              | .356      |      |
| Mold Draft Angle Top     | $\alpha$ |        |           | 12°  |              |           | 12°  |

\*Controlling Parameter

**Notes:**

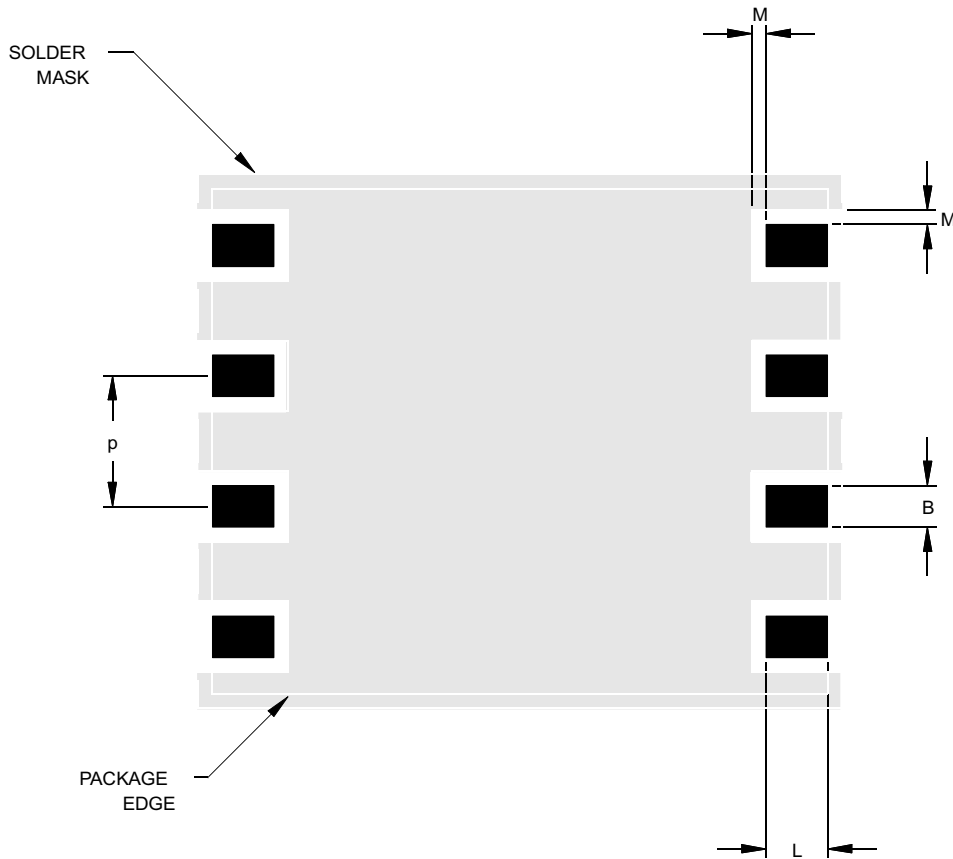
Dimensions D and E1 do not include mold flash or protrusions. Mold flash or protrusions shall not exceed .010" (0.254mm) per side. JEDEC equivalent: pending

Drawing No. C04-113

# 24AA128/24LC128/24FC128

[查询"24AA128-I/ST14"供应商](#)

8-Lead Micro Leadframe Package (MF) 6x5 mm Body (MLF-S) (Continued)



| Units              |   | INCHES   |      |      | MILLIMETERS* |      |      |
|--------------------|---|----------|------|------|--------------|------|------|
| Dimension Limits   |   | MIN      | NOM  | MAX  | MIN          | NOM  | MAX  |
| Pitch              | P | .050 BSC |      |      | 1.27 BSC     |      |      |
| Pad Width          | B | .014     | .016 | .019 | 0.35         | 0.40 | 0.47 |
| Pad Length         | L | .020     | .024 | .030 | 0.50         | 0.60 | 0.75 |
| Pad to Solder Mask | M | .005     |      | .006 | 0.13         |      | 0.15 |

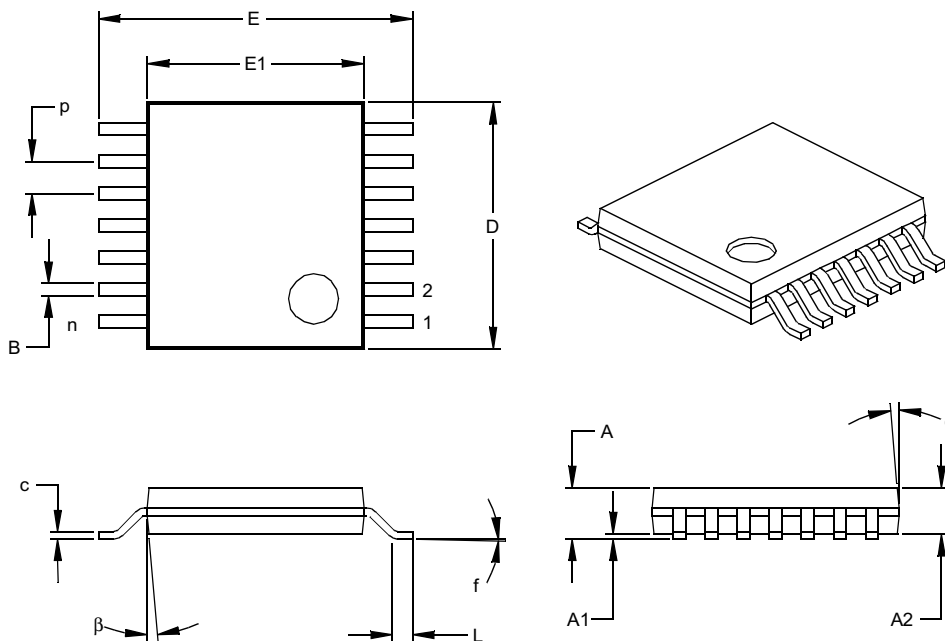
\*Controlling Parameter

Drawing No. C04-2113

# 24AA128/24LC128/24FC128

[查询"24AA128-I/ST14"供应商](#)

14-Lead Plastic Thin Shrink Small Outline (ST) – 4.4 mm (TSSOP)



| Units                    |    | INCHES |      |      | MILLIMETERS* |      |      |
|--------------------------|----|--------|------|------|--------------|------|------|
| Dimension Limits         |    | MIN    | NOM  | MAX  | MIN          | NOM  | MAX  |
| Number of Pins           | n  |        | 14   |      |              | 14   |      |
| Pitch                    | p  |        | .026 |      |              | 0.65 |      |
| Overall Height           | A  |        |      | .043 |              |      | 1.10 |
| Molded Package Thickness | A2 | .033   | .035 | .037 | 0.85         | 0.90 | 0.95 |
| Standoff §               | A1 | .002   | .004 | .006 | 0.05         | 0.10 | 0.15 |
| Overall Width            | E  | .246   | .251 | .256 | 6.25         | 6.38 | 6.50 |
| Molded Package Width     | E1 | .169   | .173 | .177 | 4.30         | 4.40 | 4.50 |
| Molded Package Length    | D  | .193   | .197 | .201 | 4.90         | 5.00 | 5.10 |
| Foot Length              | L  | .020   | .024 | .028 | 0.50         | 0.60 | 0.70 |
| Foot Angle               | f  | 0      | 4    | 8    | 0            | 4    | 8    |
| Lead Thickness           | c  | .004   | .006 | .008 | 0.09         | 0.15 | 0.20 |
| Lead Width               | B  | .007   | .010 | .012 | 0.19         | 0.25 | 0.30 |
| Mold Draft Angle Top     | α  | 0      | 5    | 10   | 0            | 5    | 10   |
| Mold Draft Angle Bottom  | β  | 0      | 5    | 10   | 0            | 5    | 10   |

\* Controlling Parameter

§ Significant Characteristic

**Notes:**

Dimensions D and E1 do not include mold flash or protrusions. Mold flash or protrusions shall not exceed .005" (0.127mm) per side.

JEDEC Equivalent: MO-153

Drawing No. C04-087

# 24AA128/24LC128/24FC128

---

[查询"24AA128-I/ST14"供应商](#)

NOTES:

[查询"24AA128-I/ST14"供应商](#)

## **ON-LINE SUPPORT**

Microchip provides on-line support on the Microchip World Wide Web (WWW) site.

The web site is used by Microchip as a means to make files and information easily available to customers. To view the site, the user must have access to the Internet and a web browser, such as Netscape or Microsoft Explorer. Files are also available for FTP download from our FTP site.

### **Connecting to the Microchip Internet Web Site**

The Microchip web site is available by using your favorite Internet browser to attach to:

**[www.microchip.com](http://www.microchip.com)**

The file transfer site is available by using an FTP service to connect to:

**<ftp://ftp.microchip.com>**

The web site and file transfer site provide a variety of services. Users may download files for the latest Development Tools, Data Sheets, Application Notes, User's Guides, Articles and Sample Programs. A variety of Microchip specific business information is also available, including listings of Microchip sales offices, distributors and factory representatives. Other data available for consideration is:

- Latest Microchip Press Releases
- Technical Support Section with Frequently Asked Questions
- Design Tips
- Device Errata
- Job Postings
- Microchip Consultant Program Member Listing
- Links to other useful web sites related to Microchip Products
- Conferences for products, Development Systems, technical information and more
- Listing of seminars and events

### **Systems Information and Upgrade Hot Line**

The Systems Information and Upgrade Line provides system users a listing of the latest versions of all of Microchip's development systems software products. Plus, this line provides information on how customers can receive any currently available upgrade kits. The Hot Line Numbers are:

1-800-755-2345 for U.S. and most of Canada, and

1-480-792-7302 for the rest of the world.

013001

# 24AA128/24LC128/24FC128

---

---

[查询"24AA128-I/ST14"供应商](#)

## READER RESPONSE

It is our intention to provide you with the best documentation possible to ensure successful use of your Microchip product. If you wish to provide your comments on organization, clarity, subject matter, and ways in which our documentation can better serve you, please FAX your comments to the Technical Publications Manager at (480) 792-4150.

Please list the following information, and use this outline to provide us with your comments about this Data Sheet.

To: Technical Publications Manager Total Pages Sent  
RE: Reader Response  
From: Name \_\_\_\_\_  
Company \_\_\_\_\_  
Address \_\_\_\_\_  
City / State / ZIP / Country \_\_\_\_\_  
Telephone: (\_\_\_\_\_) \_\_\_\_\_ - \_\_\_\_\_ FAX: (\_\_\_\_\_) \_\_\_\_\_ - \_\_\_\_\_

Application (optional):

Would you like a reply? \_\_\_Y \_\_\_N

Device: **24AA128/24LC128/** Literature Number: **DS21191H**

Questions:

1. What are the best features of this document?

\_\_\_\_\_  
\_\_\_\_\_

2. How does this document meet your hardware and software development needs?

\_\_\_\_\_  
\_\_\_\_\_

3. Do you find the organization of this data sheet easy to follow? If not, why?

\_\_\_\_\_  
\_\_\_\_\_

4. What additions to the data sheet do you think would enhance the structure and subject?

\_\_\_\_\_  
\_\_\_\_\_

5. What deletions from the data sheet could be made without affecting the overall usefulness?

\_\_\_\_\_  
\_\_\_\_\_

6. Is there any incorrect or misleading information (what and where)?

\_\_\_\_\_  
\_\_\_\_\_

7. How would you improve this document?

\_\_\_\_\_  
\_\_\_\_\_

8. How would you improve our software, systems, and silicon products?

\_\_\_\_\_  
\_\_\_\_\_

# 24AA128/24LC128/24FC128

查询"24AA128-I/ST14"供应商

## PRODUCT IDENTIFICATION SYSTEM

To order or obtain information, e.g., on pricing or delivery, refer to the factory or the listed sales office.

| <u>PART NO.</u>    | <u>X</u>  | <u>/XX</u> |
|--------------------|---|------------|
| Device             | Temperature Range   | Package    |
| Device:            | 24AA128: 128 Kbit 1.8V I <sup>2</sup> C Serial EEPROM<br>24AA128T: 128 Kbit 1.8V I <sup>2</sup> C Serial EEPROM (Tape and Reel)<br>24LC128: 128 Kbit 2.5V I <sup>2</sup> C Serial EEPROM<br>24LC128T: 128 Kbit 2.5V I <sup>2</sup> C Serial EEPROM (Tape and Reel)<br>24FC128: 128 Kbit 1 MHz I <sup>2</sup> C Serial EEPROM<br>24FC128T: 128 Kbit 1 MHz I <sup>2</sup> C Serial EEPROM (Tape and Reel) |            |
| Temperature Range: | I = -40°C to +85°C<br>E = -40°C to +125°C   |            |
| Package:           | P = Plastic DIP (300 mil body), 8-lead<br>SN = Plastic SOIC (150 mil body), 8-lead<br>SM = Plastic SOIC (208 mil body), 8-lead<br>ST = Plastic TSSOP (4.4 mm), 8-lead<br>ST14 = Plastic TSSOP (4.4 mm), 14-lead<br>MF = Micro Leadframe (6x5 mm body), 8-lead   |            |

**Examples:**

- a) 24LC128-I/SN: Industrial Temp., SOIC package
- b) 24LC128T-I/SN: Tape and Reel, Industrial Temp., SOIC package
- c) 24LC128-I/ST: Industrial Temp., TSSOP package
- d) 24LC128-E/SN: Extended Temp., SOIC package
- e) 24FC128-I/SN: Industrial Temp., SOIC package
- f) 24FC128T-I/SN: Tape and Reel, Industrial Temp., SOIC package

## Sales and Support

### Data Sheets

Products supported by a preliminary Data Sheet may have an errata sheet describing minor operational differences and recommended workarounds. To determine if an errata sheet exists for a particular device, please contact one of the following:

1. Your local Microchip sales office
2. The Microchip Corporate Literature Center U.S. FAX: (480) 792-7277
3. The Microchip Worldwide Site ([www.microchip.com](http://www.microchip.com))

Please specify which device, revision of silicon and Data Sheet (include Literature #) you are using.

### New Customer Notification System

Register on our web site ([www.microchip.com/cn](http://www.microchip.com/cn)) to receive the most current information on our products.

# 24AA128/24LC128/24FC128

---

[查询"24AA128-I/ST14"供应商](#)

NOTES:



# 24AA128/24LC128/24FC128

---

[查询"24AA128-I/ST14"供应商](#)

**NOTES:**

# 24AA128/24LC128/24FC128

---

[查询"24AA128-I/ST14"供应商](#)

NOTES:

Information contained in this publication regarding device applications and the like is intended through suggestion only and may be superseded by updates. It is your responsibility to ensure that your application meets with your specifications. No representation or warranty is given and no liability is assumed by Microchip Technology Incorporated with respect to the accuracy or use of such information, or infringement of patents or other intellectual property rights arising from such use or otherwise. Use of Microchip's products as critical components in life support systems is not authorized except with express written approval by Microchip. No licenses are conveyed, implicitly or otherwise, under any intellectual property rights.

#### Trademarks


The Microchip name and logo, the Microchip logo, FilterLab, KEELOQ, MPLAB, PIC, PICmicro, PICMASTER, PICSTART, PRO MATE, SEEVAL and The Embedded Control Solutions Company are registered trademarks of Microchip Technology Incorporated in the U.S.A. and other countries.

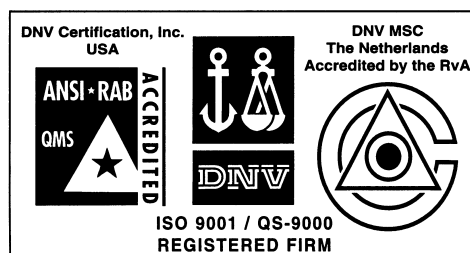
dsPIC, ECONOMONITOR, FanSense, FlexROM, fuzzyLAB, In-Circuit Serial Programming, ICSP, ICEPIC, microID, microPort, Migratable Memory, MPASM, MPLIB, MPLINK, MPSIM, MXDEV, PICC, PICDEM, PICDEM.net, rPIC, Select Mode and Total Endurance are trademarks of Microchip Technology Incorporated in the U.S.A.

Serialized Quick Term Programming (SQTP) is a service mark of Microchip Technology Incorporated in the U.S.A.

All other trademarks mentioned herein are property of their respective companies.

© 2001, Microchip Technology Incorporated, Printed in the U.S.A., All Rights Reserved.

 Printed on recycled paper.



*Microchip received QS-9000 quality system certification for its worldwide headquarters, design and wafer fabrication facilities in Chandler and Tempe, Arizona in July 1999. The Company's quality system processes and procedures are QS-9000 compliant for its PICmicro® 8-bit MCUs, KEELOQ® code hopping devices, Serial EEPROMs and microperipheral products. In addition, Microchip's quality system for the design and manufacture of development systems is ISO 9001 certified.*

**WORLDWIDE SALES AND SERVICE**

**AMERICAS**

**Corporate Office**

2355 West Chandler Blvd.  
Chandler, AZ 85224-6199  
Tel: 480-792-7200 Fax: 480-792-7277  
Technical Support: 480-792-7627  
Web Address: <http://www.microchip.com>

**Rocky Mountain**

2355 West Chandler Blvd.  
Chandler, AZ 85224-6199  
Tel: 480-792-7966 Fax: 480-792-7456

**Atlanta**

500 Sugar Mill Road, Suite 200B  
Atlanta, GA 30350  
Tel: 770-640-0034 Fax: 770-640-0307

**Boston**

2 Lan Drive, Suite 120  
Westford, MA 01886  
Tel: 978-692-3848 Fax: 978-692-3821

**Chicago**

333 Pierce Road, Suite 180  
Itasca, IL 60143  
Tel: 630-285-0071 Fax: 630-285-0075

**Dallas**

4570 Westgrove Drive, Suite 160  
Addison, TX 75001  
Tel: 972-818-7423 Fax: 972-818-2924

**Dayton**

Two Prestige Place, Suite 130  
Miamisburg, OH 45342  
Tel: 937-291-1654 Fax: 937-291-9175

**Detroit**

Tri-Atria Office Building  
32255 Northwestern Highway, Suite 190  
Farmington Hills, MI 48334  
Tel: 248-538-2250 Fax: 248-538-2260

**Kokomo**

2767 S. Albright Road  
Kokomo, Indiana 46902  
Tel: 765-864-8360 Fax: 765-864-8387

**Los Angeles**

18201 Von Karman, Suite 1090  
Irvine, CA 92612  
Tel: 949-263-1888 Fax: 949-263-1338

**New York**

150 Motor Parkway, Suite 202  
Hauppauge, NY 11788  
Tel: 631-273-5305 Fax: 631-273-5335

**San Jose**

Microchip Technology Inc.  
2107 North First Street, Suite 590  
San Jose, CA 95131  
Tel: 408-436-7950 Fax: 408-436-7955

**Toronto**

6285 Northam Drive, Suite 108  
Mississauga, Ontario L4V 1X5, Canada  
Tel: 905-673-0699 Fax: 905-673-6509

**ASIA/PACIFIC**

**Australia**

Microchip Technology Australia Pty Ltd  
Suite 22, 41 Rawson Street  
Epping 2121, NSW  
Australia  
Tel: 61-2-9868-6733 Fax: 61-2-9868-6755

**China - Beijing**

Microchip Technology Consulting (Shanghai)  
Co., Ltd., Beijing Liaison Office  
Unit 915  
Bei Hai Wan Tai Bldg.  
No. 6 Chaoyangmen Beidajie  
Beijing, 100027, No. China  
Tel: 86-10-85282100 Fax: 86-10-85282104

**China - Chengdu**

Microchip Technology Consulting (Shanghai)  
Co., Ltd., Chengdu Liaison Office  
Rm. 2401, 24th Floor,  
Ming Xing Financial Tower  
No. 88 TIDU Street  
Chengdu 610016, China  
Tel: 86-28-6766200 Fax: 86-28-6766599

**China - Fuzhou**

Microchip Technology Consulting (Shanghai)  
Co., Ltd., Fuzhou Liaison Office  
Rm. 531, North Building  
Fujian Foreign Trade Center Hotel  
73 Wusi Road  
Fuzhou 350001, China  
Tel: 86-591-7557563 Fax: 86-591-7557572

**China - Shanghai**

Microchip Technology Consulting (Shanghai)  
Co., Ltd.  
Room 701, Bldg. B  
Far East International Plaza  
No. 317 Xian Xia Road  
Shanghai, 200051  
Tel: 86-21-6275-5700 Fax: 86-21-6275-5060

**China - Shenzhen**

Microchip Technology Consulting (Shanghai)  
Co., Ltd., Shenzhen Liaison Office  
Rm. 1315, 13/F, Shenzhen Kerry Centre,  
Renminnan Lu  
Shenzhen 518001, China  
Tel: 86-755-2350361 Fax: 86-755-2366086

**Hong Kong**

Microchip Technology Hongkong Ltd.  
Unit 901-6, Tower 2, Metroplaza  
223 Hing Fong Road  
Kwai Fong, N.T., Hong Kong  
Tel: 852-2401-1200 Fax: 852-2401-3431

**India**

Microchip Technology Inc.  
India Liaison Office  
Divyasree Chambers  
1 Floor, Wing A (A3/A4)  
No. 11, O'Shaugnessey Road  
Bangalore, 560 025, India  
Tel: 91-80-2290061 Fax: 91-80-2290062

**Japan**

Microchip Technology Japan K.K.  
Benex S-1 6F  
3-18-20, Shinyokohama  
Kohoku-Ku, Yokohama-shi  
Kanagawa, 222-0033, Japan  
Tel: 81-45-471-6166 Fax: 81-45-471-6122

**Korea**

Microchip Technology Korea  
168-1, Youngbo Bldg. 3 Floor  
Samsung-Dong, Kangnam-Ku  
Seoul, Korea 135-882  
Tel: 82-2-554-7200 Fax: 82-2-558-5934

**Singapore**

Microchip Technology Singapore Pte Ltd.  
200 Middle Road  
#07-02 Prime Centre  
Singapore, 188980  
Tel: 65-334-8870 Fax: 65-334-8850

**Taiwan**

Microchip Technology Taiwan  
11F-3, No. 207  
Tung Hua North Road  
Taipei, 105, Taiwan  
Tel: 886-2-2717-7175 Fax: 886-2-2545-0139

**EUROPE**

**Denmark**

Microchip Technology Nordic ApS  
Regus Business Centre  
Lautrup høj 1-3  
Ballerup DK-2750 Denmark  
Tel: 45 4420 9895 Fax: 45 4420 9910

**France**

Microchip Technology SARL  
Parc d'Activite du Moulin de Massy  
43 Rue du Saule Trapu  
Batiment A - 1er Etage  
91300 Massy, France  
Tel: 33-1-69-53-63-20 Fax: 33-1-69-30-90-79

**Germany**

Microchip Technology GmbH  
Gustav-Heinemann Ring 125  
D-81739 Munich, Germany  
Tel: 49-89-627-144 0 Fax: 49-89-627-144-44

**Italy**

Microchip Technology SRL  
Centro Direzionale Colleoni  
Palazzo Taurus 1 V. Le Colleoni 1  
20041 Agrate Brianza  
Milan, Italy  
Tel: 39-039-65791-1 Fax: 39-039-6899883

**United Kingdom**

Arizona Microchip Technology Ltd.  
505 Eskdale Road  
Winnersh Triangle  
Wokingham  
Berkshire, England RG41 5TU  
Tel: 44 118 921 5869 Fax: 44-118 921-5820

10/01/01

