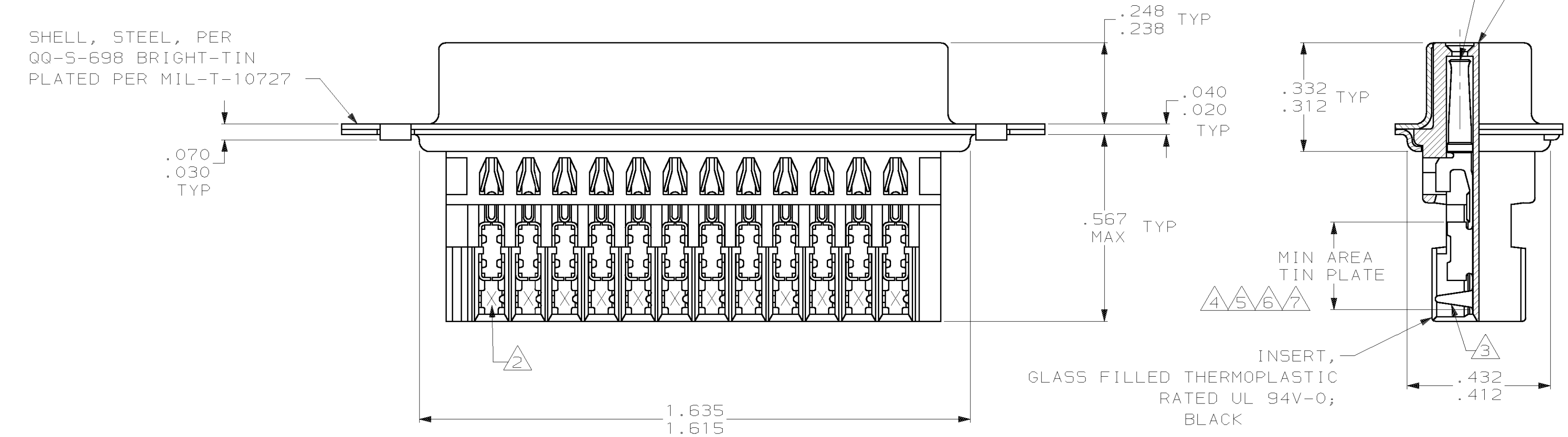
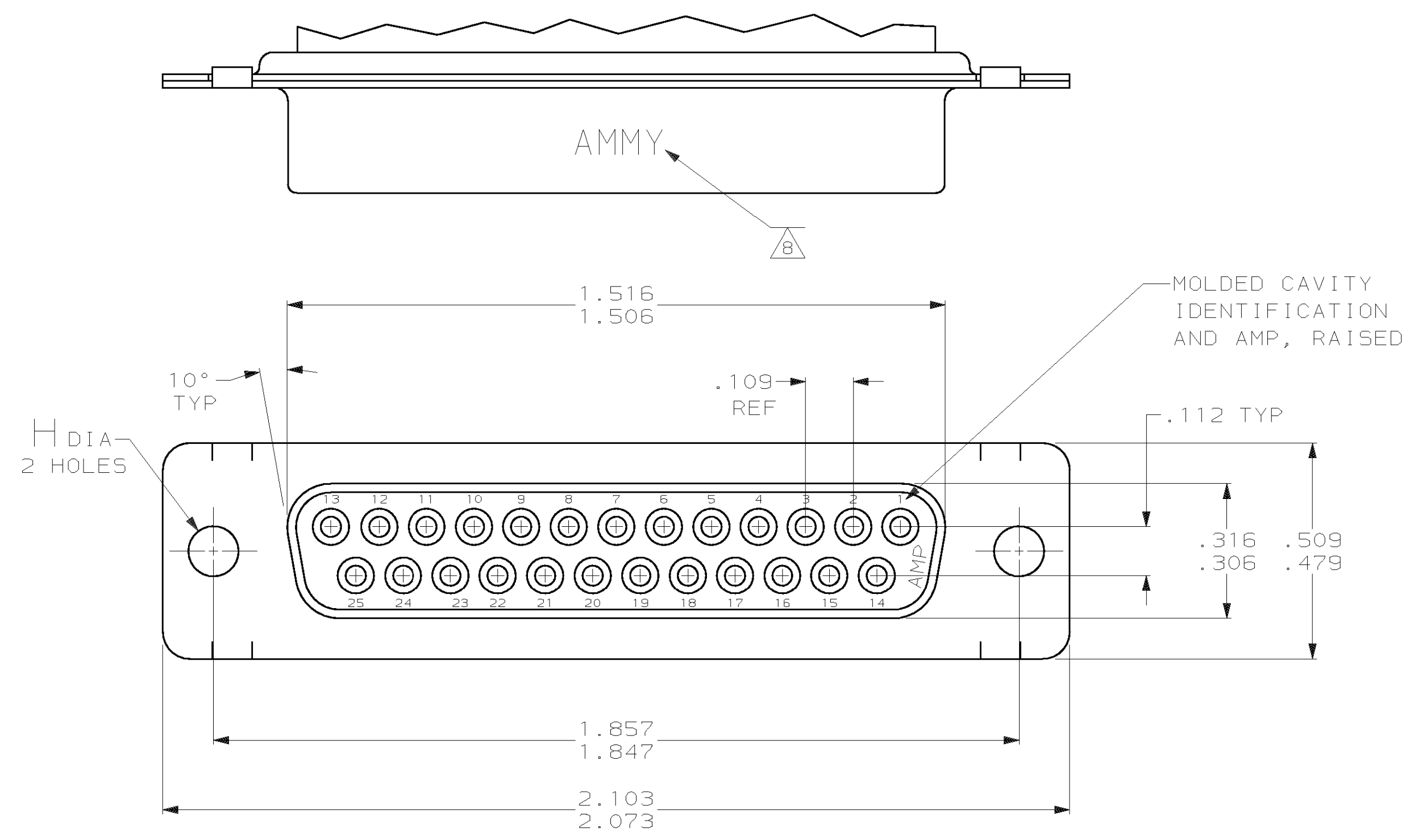


LOC	DIST	P	F	ZONE	LTR	DESCRIPTION	DATE	APPD
BD	48					REVISIONS		
					D	REDRAWN	3-19-90	-
					E	RLSE -14 WAS 89-4975-1-1 PER NPR3112	09/12/90	JW
					F	REVISED PER ECN BD5123	06/11/91	RM
					G	REV PER ECN BD5813	01/24/92	RM
					G1	ADDED 1--6 PER NPR 4840	07/12/93	NB
					H	OBS -13 PER EC 0020-1534-93	04/13/94	PR
					J	REV PER EC 0640-102-99	01 MAR 99	JK
					K	OBS -16 PER EC OUID-0211-00	28 AUG 00	JK



- ① HOUSING FULLY LOADED WITH CONTACTS.
- ② NUMBER ON CONTACT INDICATES WIRE RANGE.
- ③ CONTACT INSULATION RANGE: .060 MAXIMUM O.D.
- ④ .000030 GOLD ON MATING END FOR .100 MIN LENGTH. .000100-.000200 BRIGHT TIN OR BRIGHT TIN-LEAD IN AREA SHOWN. .000050 NICKEL UNDERPLATE ON ENTIRE CONTACT.
- ⑤ .000001 MIN GOLD ON MATING END FOR .100 MIN LENGTH. .000100-.000200 BRIGHT TIN OR BRIGHT TIN-LEAD IN AREA SHOWN. .000030 NICKEL UNDERPLATE ON ENTIRE CONTACT.
- ⑥ .000020 GOLD ON MATING END FOR .100 MIN LENGTH. .000100-.000200 BRIGHT TIN OR BRIGHT TIN-LEAD IN AREA SHOWN. .000050 NICKEL UNDERPLATE ON ENTIRE CONTACT.
- ⑦ .000050 MIN GOLD ON MATING END FOR .100 MIN LENGTH. .000100-.000200 BRIGHT TIN OR BRIGHT TIN-LEAD IN AREA SHOWN. .000050 MIN NICKEL UNDERPLATE ON ENTIRE CONTACT.
- ⑧ SPECIAL DATE CODE IN THIS APPROXIMATE AREA.
A; MM = MONTH; Y = LAST DIGIT OF YEAR.

STATUS	PACKAGING	SIZE	CONTACT FINISH	AWG WIRE RANGE	PART NUMBER
OBSOLETE	SMALL PACK	.125 .115	⑤	2	#22-26 1-745495-6
OBSOLETE	STANDARD	.125 .115	⑦	2	#22-26 1-745495-4
	STANDARD	.125 .115	⑥	2	#22-26 1-745495-3
				3	#20-22 1-745495-2
	STANDARD	.156 .146	⑤	2	#22-26 1-745495-1
				1	#26-30 1-745495-0
				3	#20-22 745495-9
	STANDARD	.156 .146	④	2	#22-26 745495-8
				1	#26-30 745495-7
				3	#20-22 745495-6
	STANDARD	.125 .115	⑤	2	#22-26 745495-5
1				#26-30 745495-4	
3				#20-22 745495-3	
STANDARD	.125 .115	④	2	#22-26 745495-2	
			1	#26-30 745495-1	
PACKAGING	H		CONTACT FINISH		

DO NOT SCALE PRINT. UNLESS SPECIFIED DIMENSIONS IN MILLIMETERS TOLERANCES ON: 2 PLC DEC ± .005 3 PLC DEC ± .005 ANGLES ± 2°		DR 3-19-90 J. GALLUCCI BG CHK 4-12-90 H. MOLL APPD 4-17-90 J. WESTMAN APPD 4-17-90 J. ASSINI		PART NO	
SEE CALL OUT		PRODUCT SPEC 108-40011		AMP INCORPORATED Harrisburg, Pa. 17105	
FINISH SEE TABLE		APPLICATION SPEC 114-40002		RECEPTACLE ASSEMBLY, METAL SHELL, SIZE 3, 25 POSITION, SERIES HDE-20 FOR MASS TERMINATION	
WEIGHT		SCALE 4:1		DRAWING NO 745495	
				SHEET 1 OF 1	