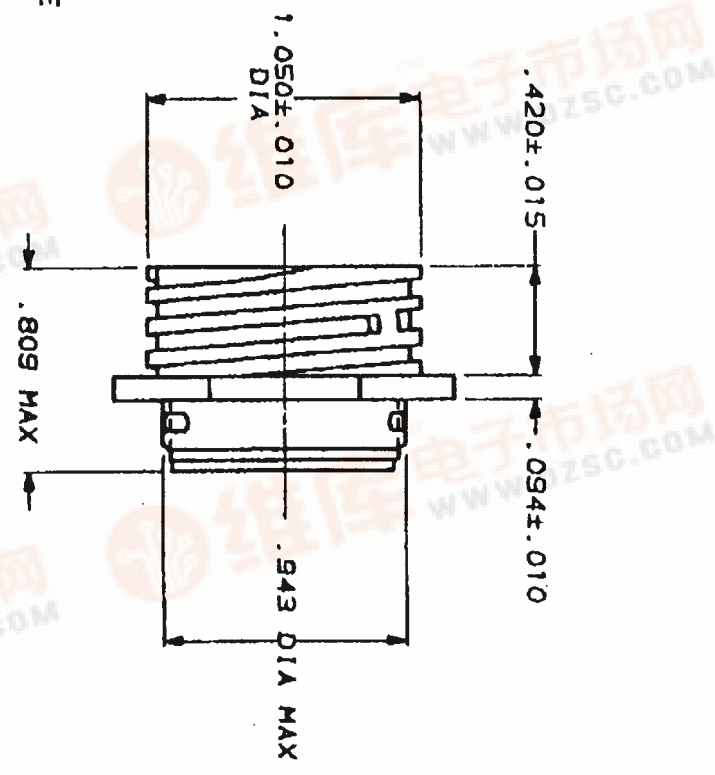
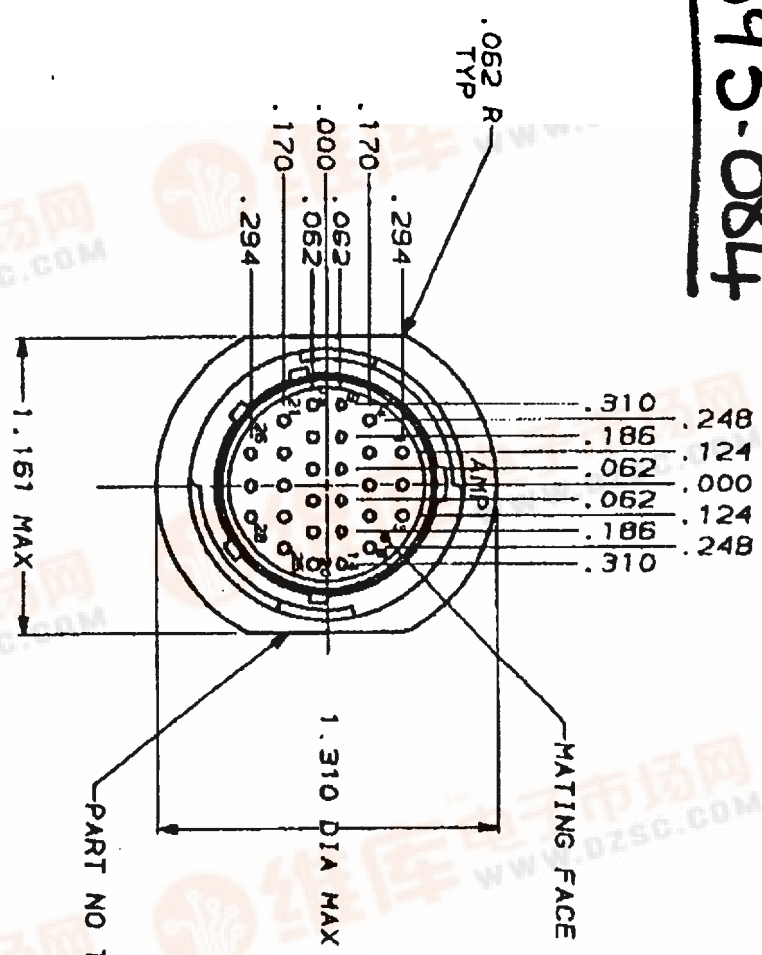


THIS DRAWING IS UNPUBLISHED. RELEASED FOR PUBLICATION BY AMP INCORPORATED. ALL INTERNATIONAL RIGHTS RESERVED.

593-084



CONTACT CAVITIES IDENTIFIED BY CHARACTERS ON FRONT AND REAR FACES OF CONNECTOR.
WILL ACCEPT (28) SIZE 20 PIN CONTACTS.

REV	DATE	APP'D	DESCRIPTION
23	80	35	REDRYAN

DO NOT SCALE DIMENSIONS UNLESS SPECIFIED OTHERWISE DIMENSIONS IN INCHES DECIMALS TO .001 FRACTIONS TO 1/32 UNLESS OTHERWISE SPECIFIED FINISH	DR / DATE A. J. LITTLER / 8-1-68 CKD / 7-27-68 APP'D / 7-27-68 PRODUCED BY / 108-10024 APPLICATION SPEC /	AMP AMP Incorporated Harrisburg, PA 17106-3508	PART NUMBER 206152-1
MATERIAL: THERMOPLASTIC, BLACK	RECEPTACLE ASSEMBLY, STD SEX, SERIES 2, 17-28, CPC	DATE CODE 00779	CUSTOMER DRAWING 206152

